



US00D548475S

(12) **United States Design Patent**
Ritch et al.

(10) **Patent No.:** **US D548,475 S**

(45) **Date of Patent:** **** Aug. 14, 2007**

(54) **SEATING UNIT**

(75) Inventors: **David J. Ritch**, Malibu, CA (US);
Mark B. Saffell, Manhattan Beach, CA
(US)

(73) Assignee: **Steelcase Development Corporation**,
Caledonia, MI (US)

(**) Term: **14 Years**

(21) Appl. No.: **29/249,709**

(22) Filed: **Oct. 18, 2006**

Related U.S. Application Data

(62) Division of application No. 29/205,494, filed on May
14, 2004, now Pat. No. Des. 535,838.

(51) **LOC (8) Cl.** **06-01**

(52) **U.S. Cl.** **D6/368; D6/374; D6/380**

(58) **Field of Classification Search** D6/334-336,
D6/366, 367, 368, 374, 375, 376, 379, 380,
D6/500-502; 297/239, 286, 313, 353, 446.1
See application file for complete search history.

(56) **References Cited**

U.S. PATENT DOCUMENTS

1,737 A	8/1840	King	
D127,080 S *	5/1941	Angell D6/368
3,361,472 A	1/1968	Hasbrouck	
D386,320 S	11/1997	King	
5,810,438 A *	9/1998	Newhouse 297/286
D411,928 S *	7/1999	Ritch et al. D6/500
6,030,037 A	2/2000	Ritch et al.	
6,196,632 B1	3/2001	De Lucchi et al.	
D443,991 S	6/2001	Picotti	
6,286,901 B1 *	9/2001	Ritch et al. 297/313
D451,693 S *	12/2001	Pearce et al. D6/368

D457,007 S *	5/2002	Pearce et al. D6/368
6,412,869 B1 *	7/2002	Pearce 297/239
D461,327 S *	8/2002	Pearce et al. D6/368
D471,373 S *	3/2003	Starzewski et al. D6/368
D475,544 S *	6/2003	Chadwick et al. D6/380
D476,495 S *	7/2003	Tsai D6/380
6,755,468 B1 *	6/2004	Pan 297/239
D505,801 S *	6/2005	Cesaroni et al. D6/379
D526,145 S	8/2006	Kita	

* cited by examiner

Primary Examiner—Mimosa De

(74) *Attorney, Agent, or Firm*—Price, Heneveld, Cooper,
DeWitt & Litton LLP

(57) **CLAIM**

We claim the ornamental design for a seating unit, as shown
and described.

DESCRIPTION

FIG. 1 is a perspective view of a first embodiment of a
seating unit embodying the present invention;

FIG. 2 is a right side view of FIG. 1, the left side view being
a mirror image of the right side;

FIG. 3 is a front view of FIG. 1;

FIG. 4 is a rear view of FIG. 1; and

FIG. 5 is a top view of FIG. 1.

FIG. 6 is a perspective view of a second embodiment of the
seating unit embodying the present invention;

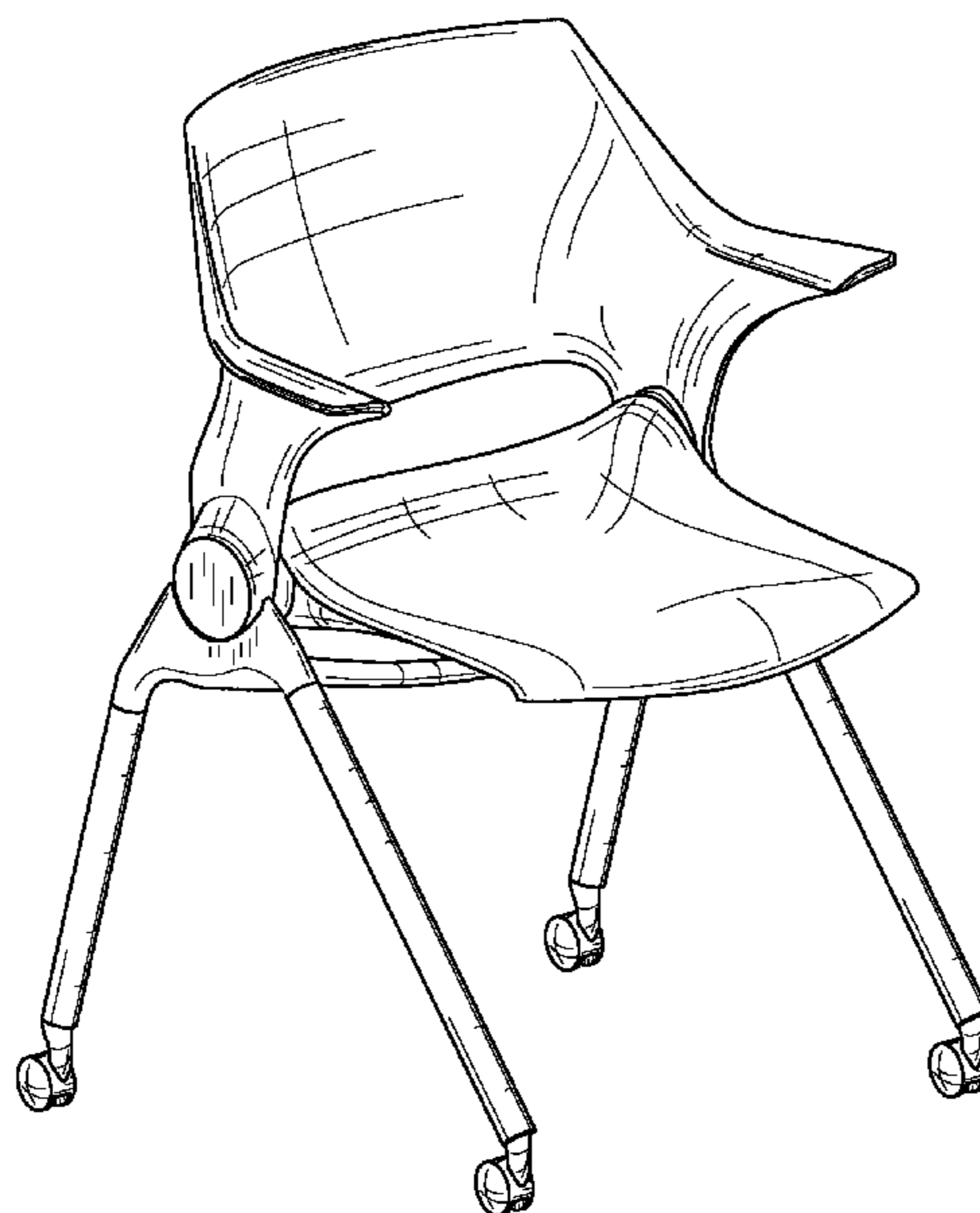
FIG. 7 is a right side view of FIG. 6, the left side being a
mirror image of the right side;

FIG. 8 is a front view of FIG. 6;

FIG. 9 is a rear view of FIG. 6; and,

FIG. 10 is a top view of FIG. 6.

1 Claim, 6 Drawing Sheets



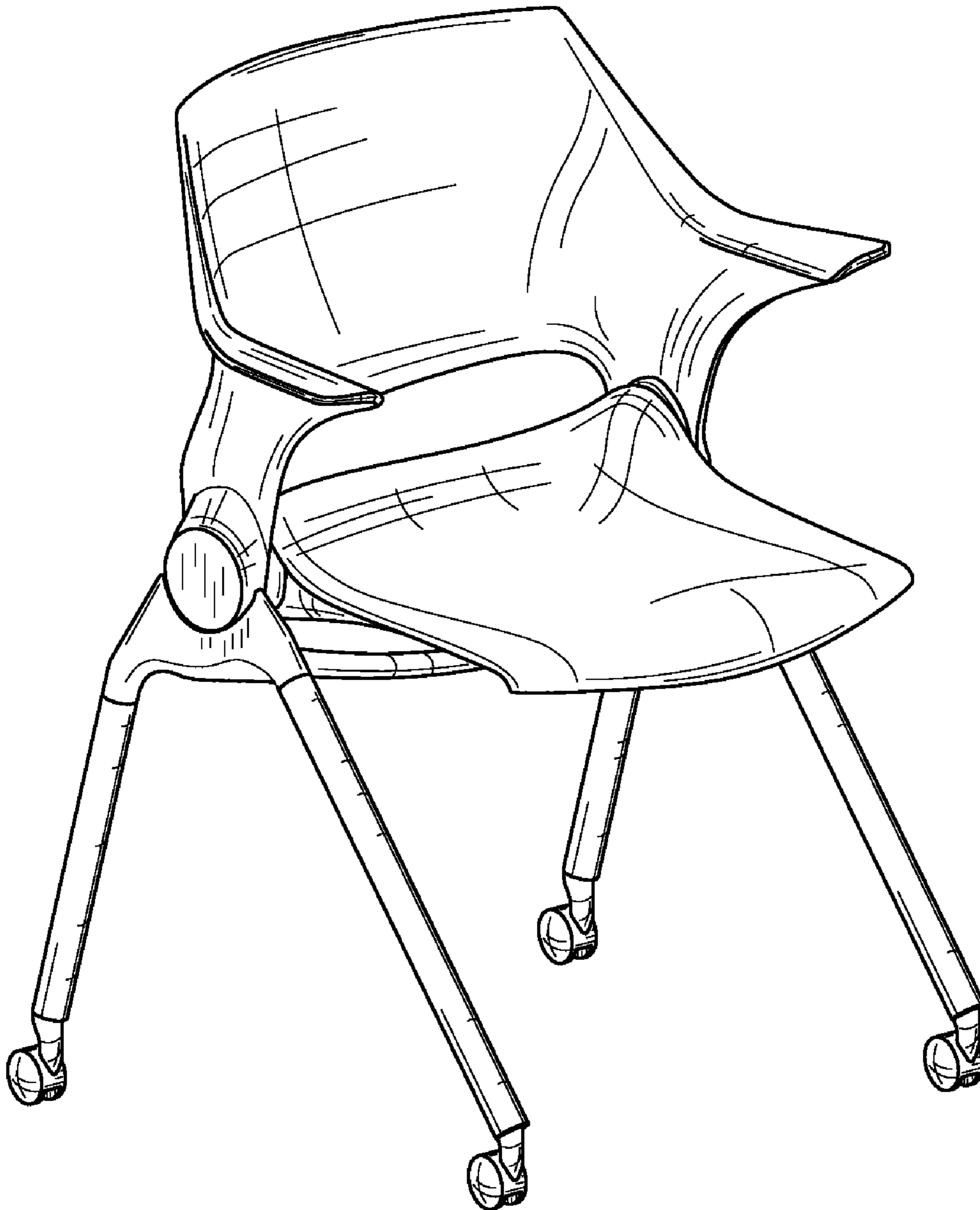


FIG. 1

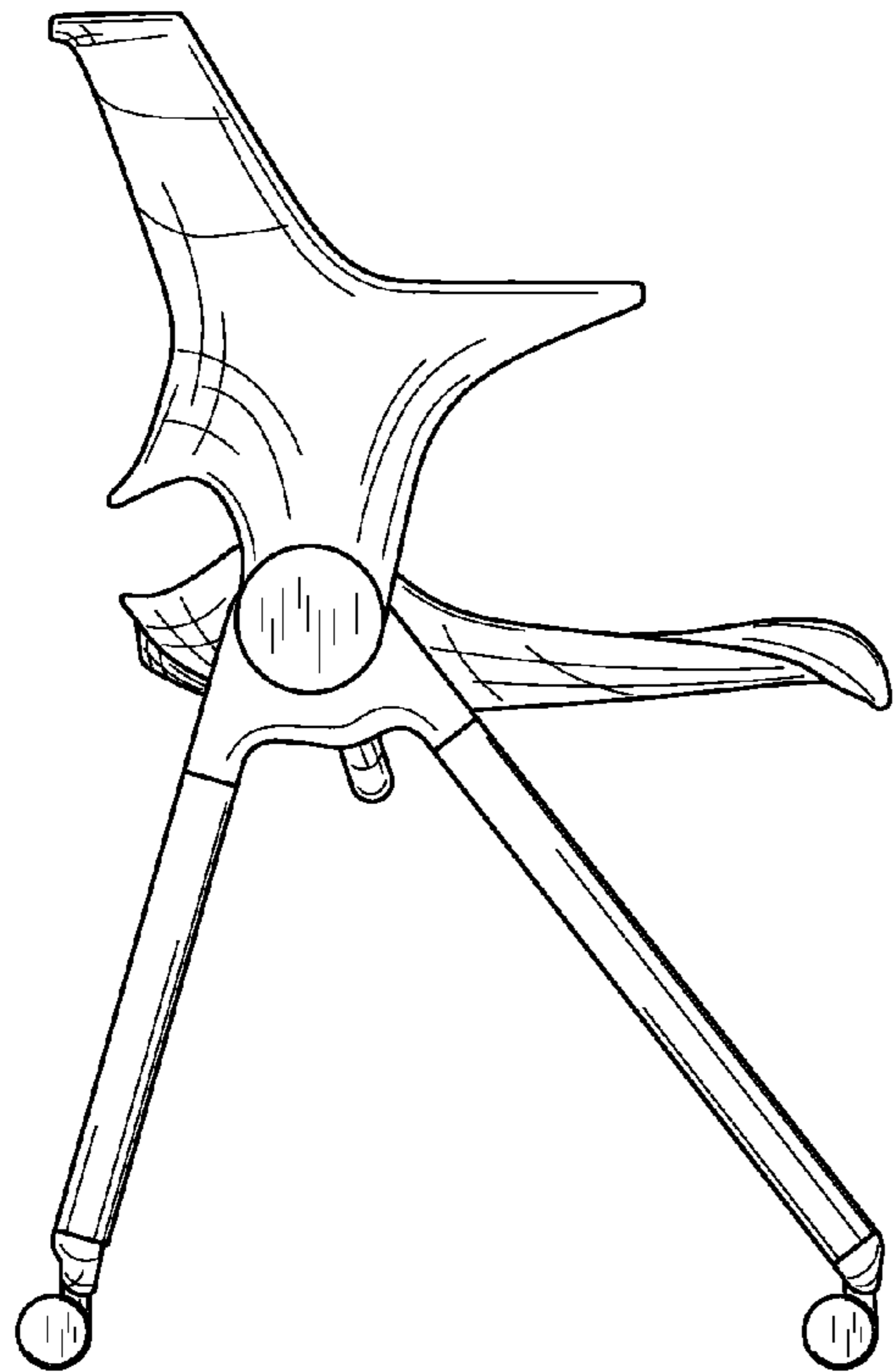


FIG. 2

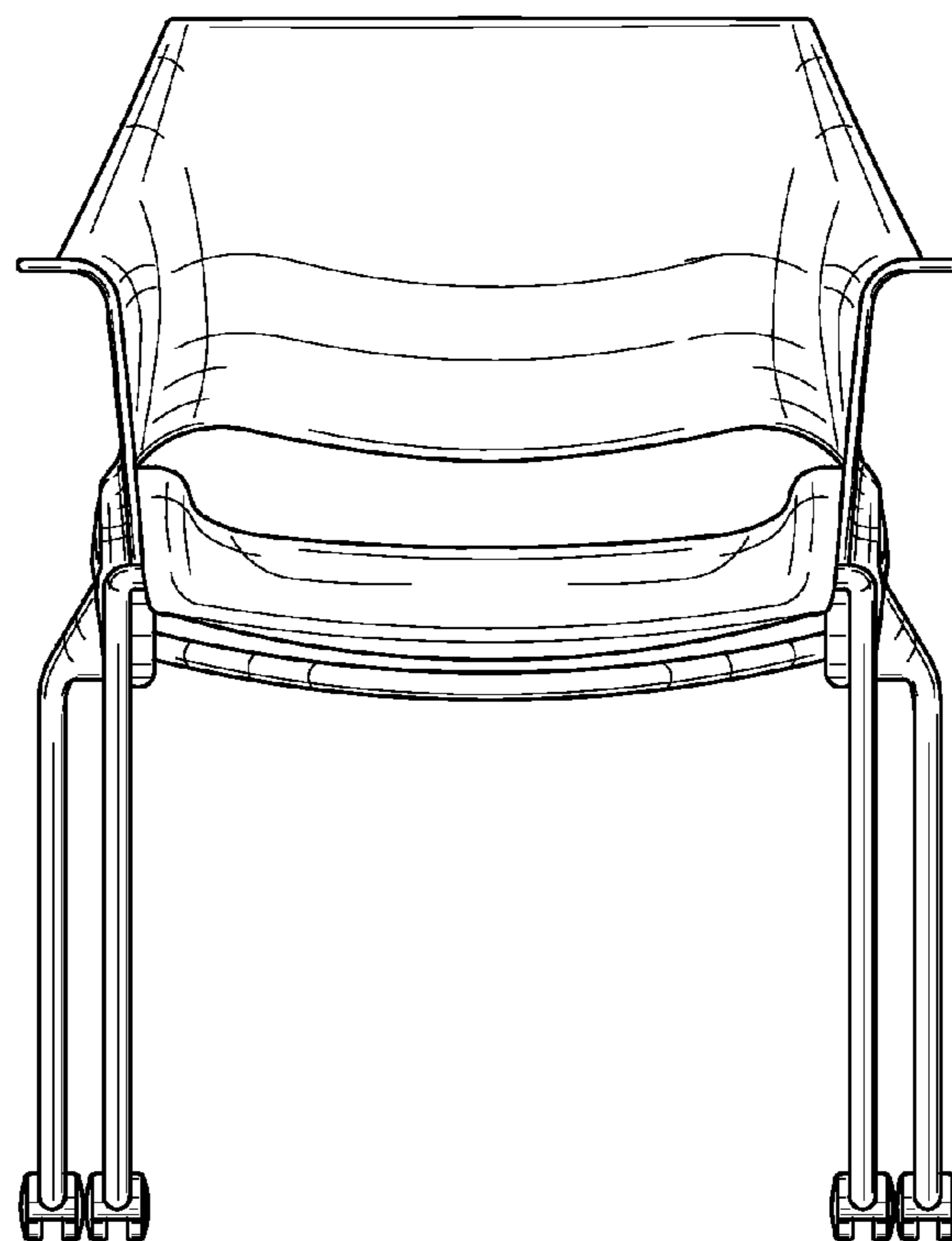


FIG. 3

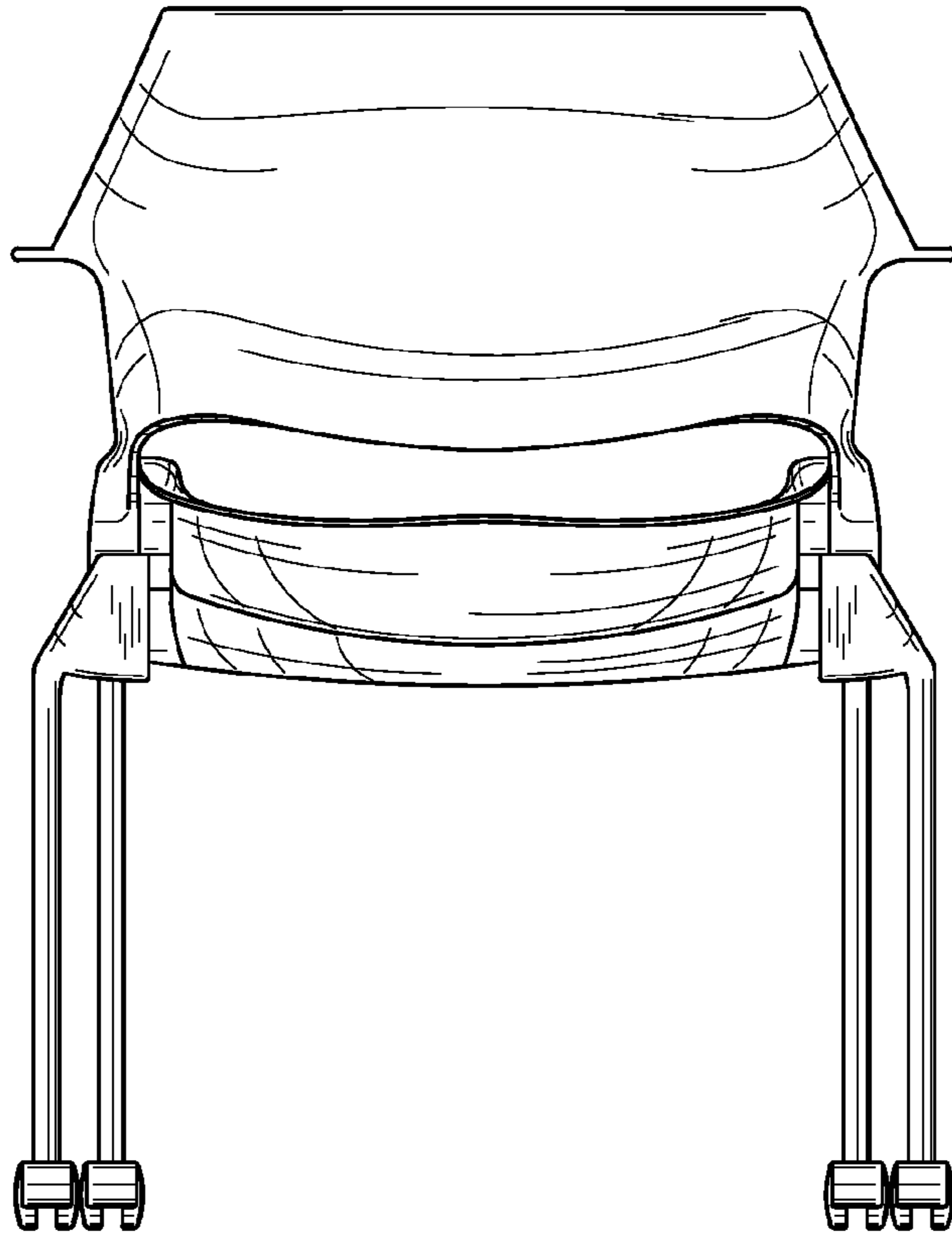


FIG. 4

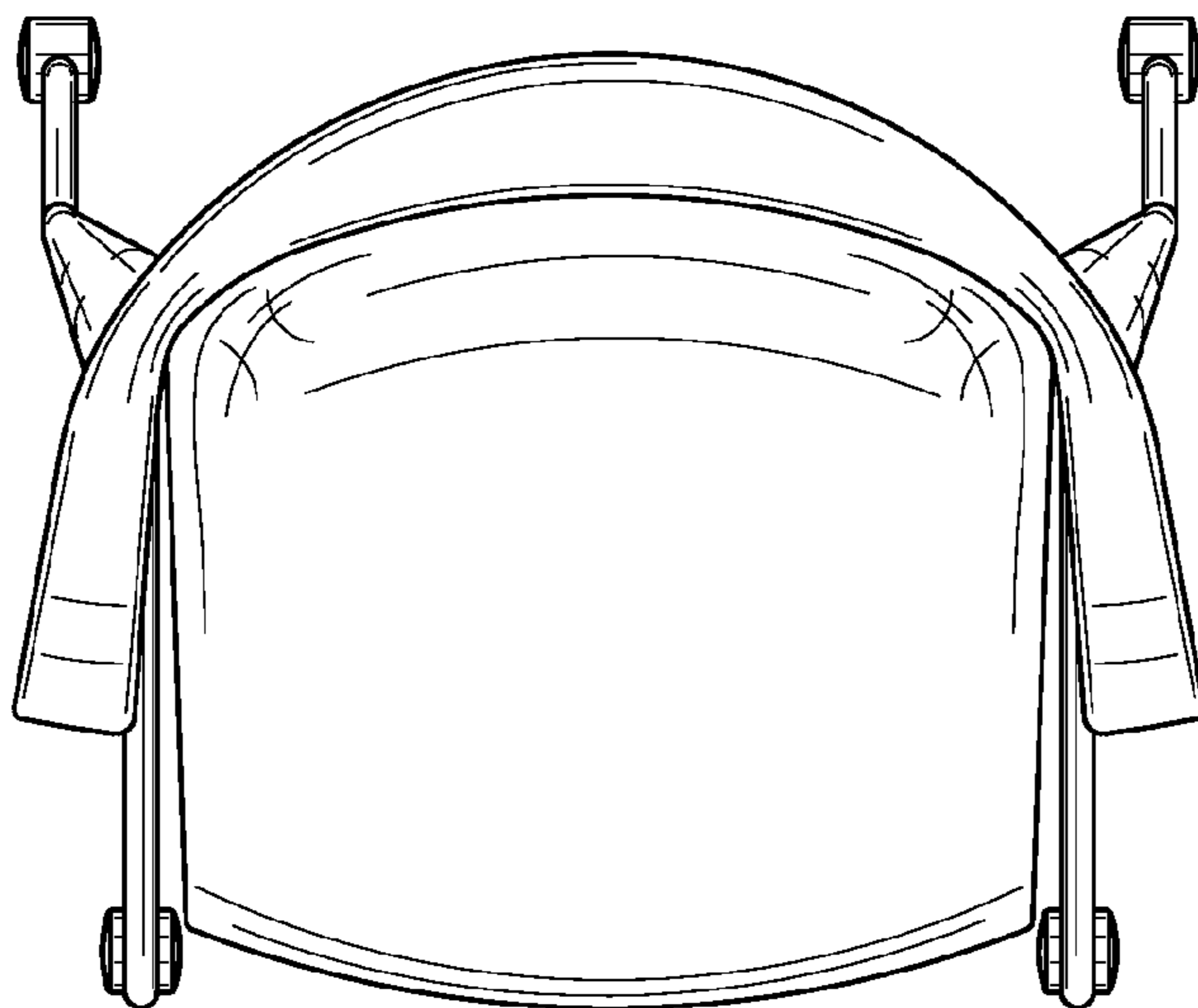


FIG. 5

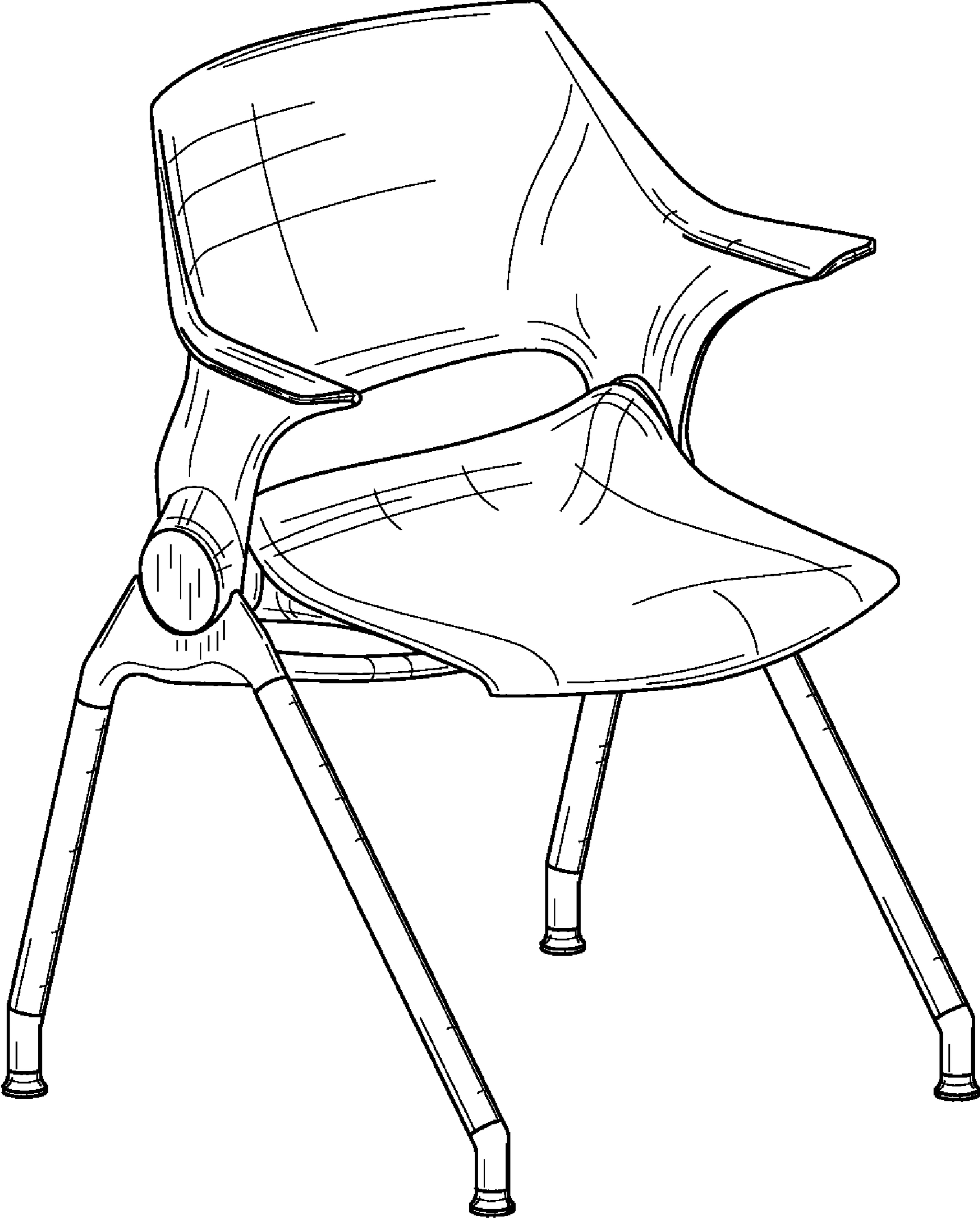


FIG. 6

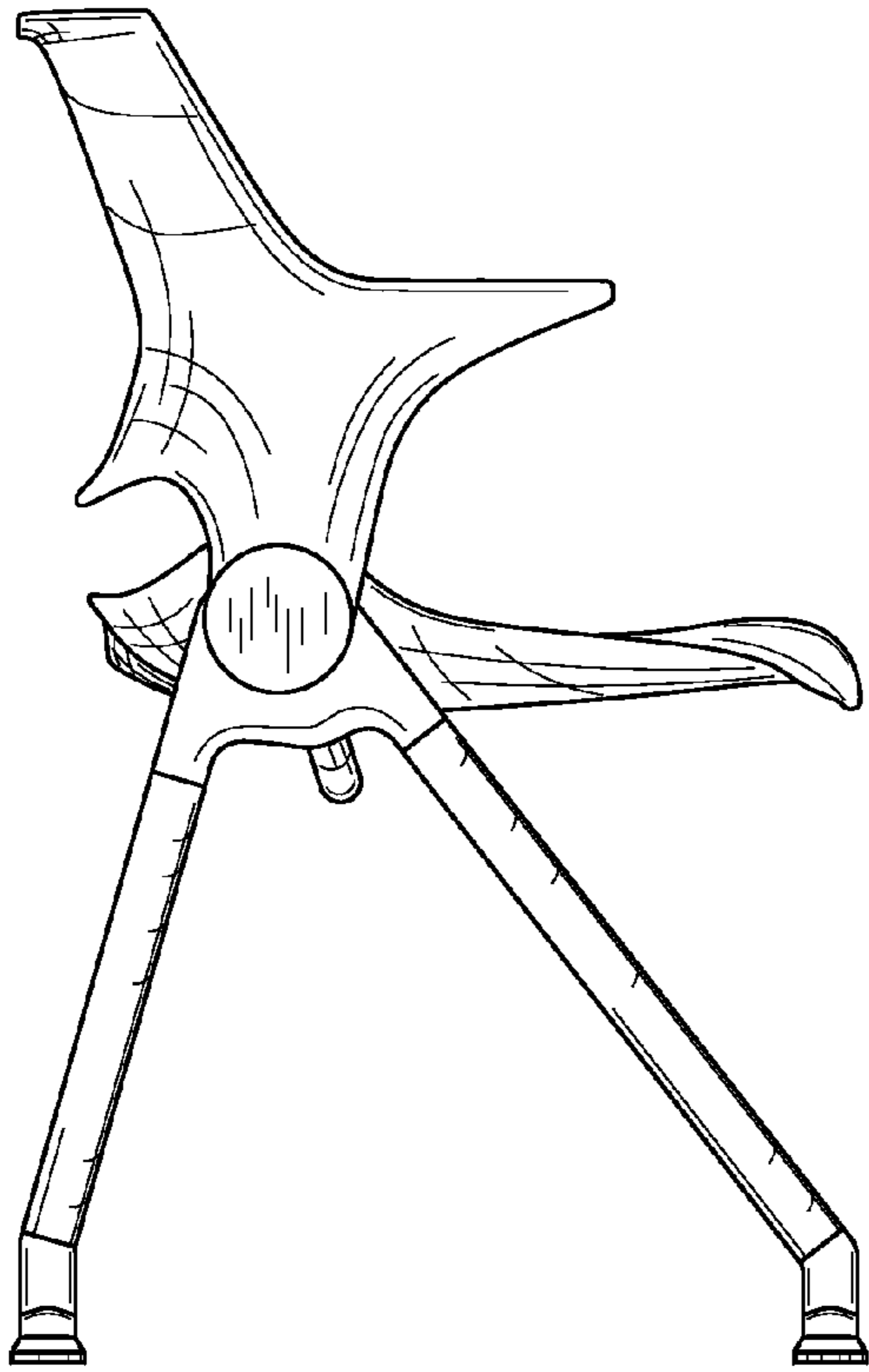


FIG. 7

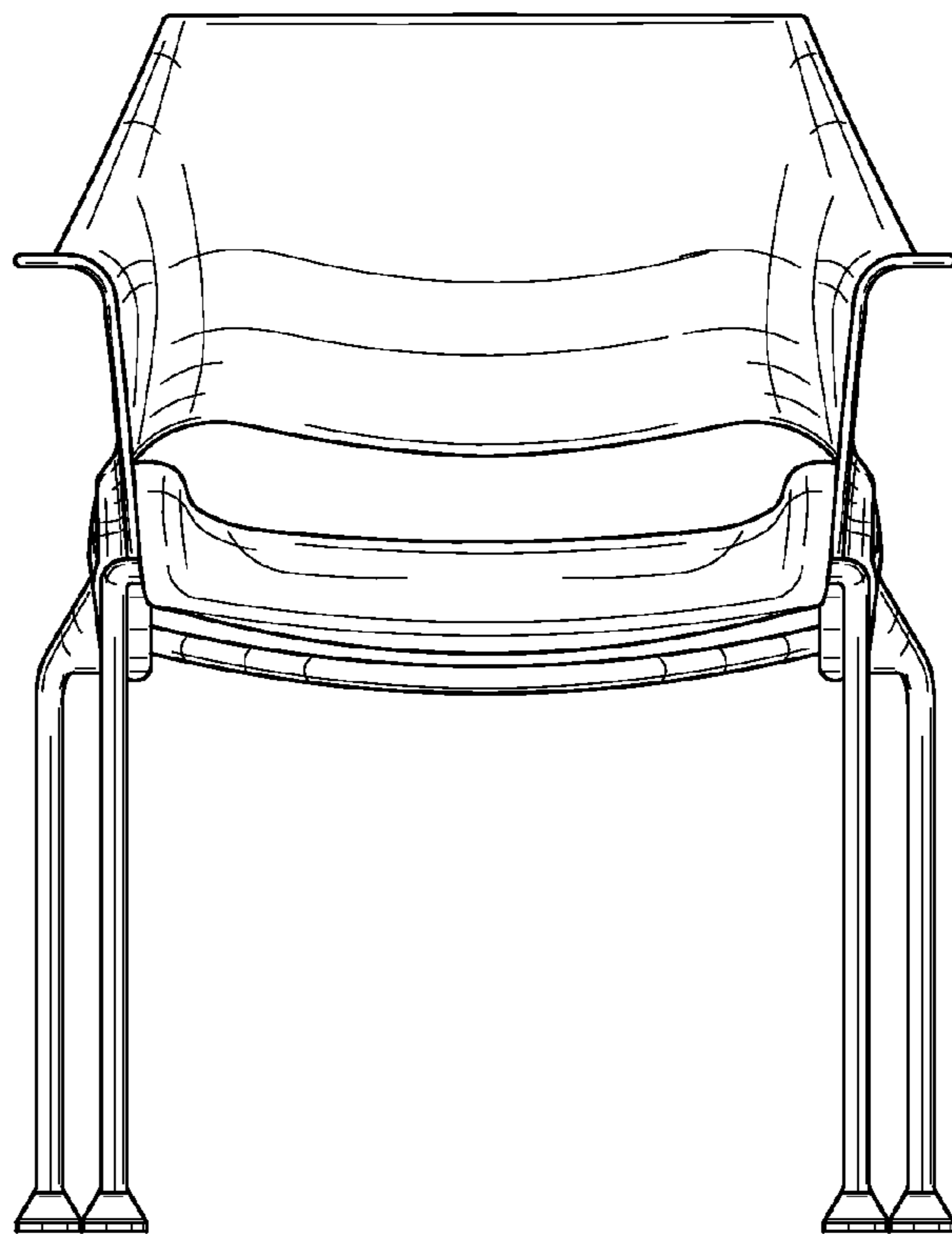


FIG. 8

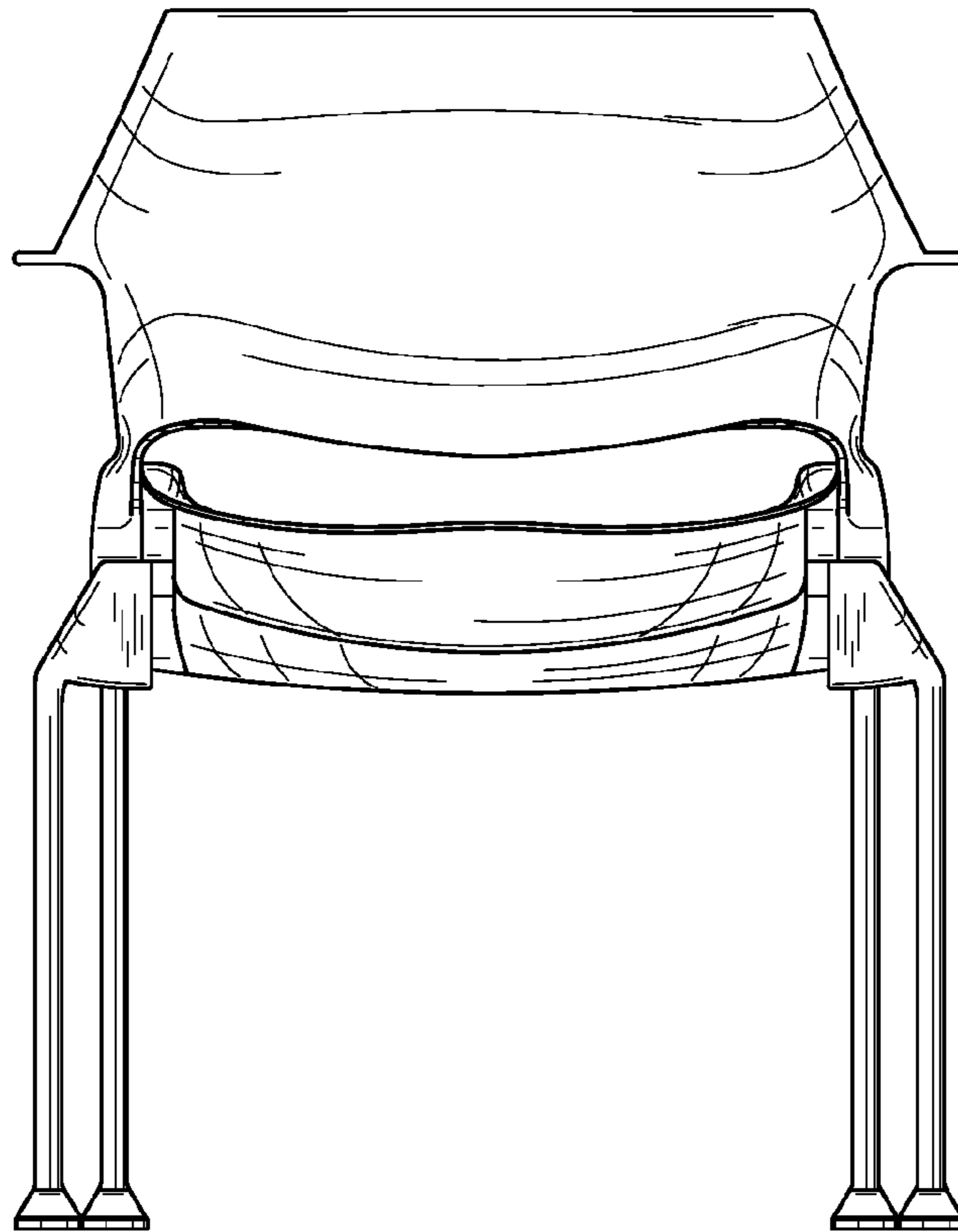


FIG. 9

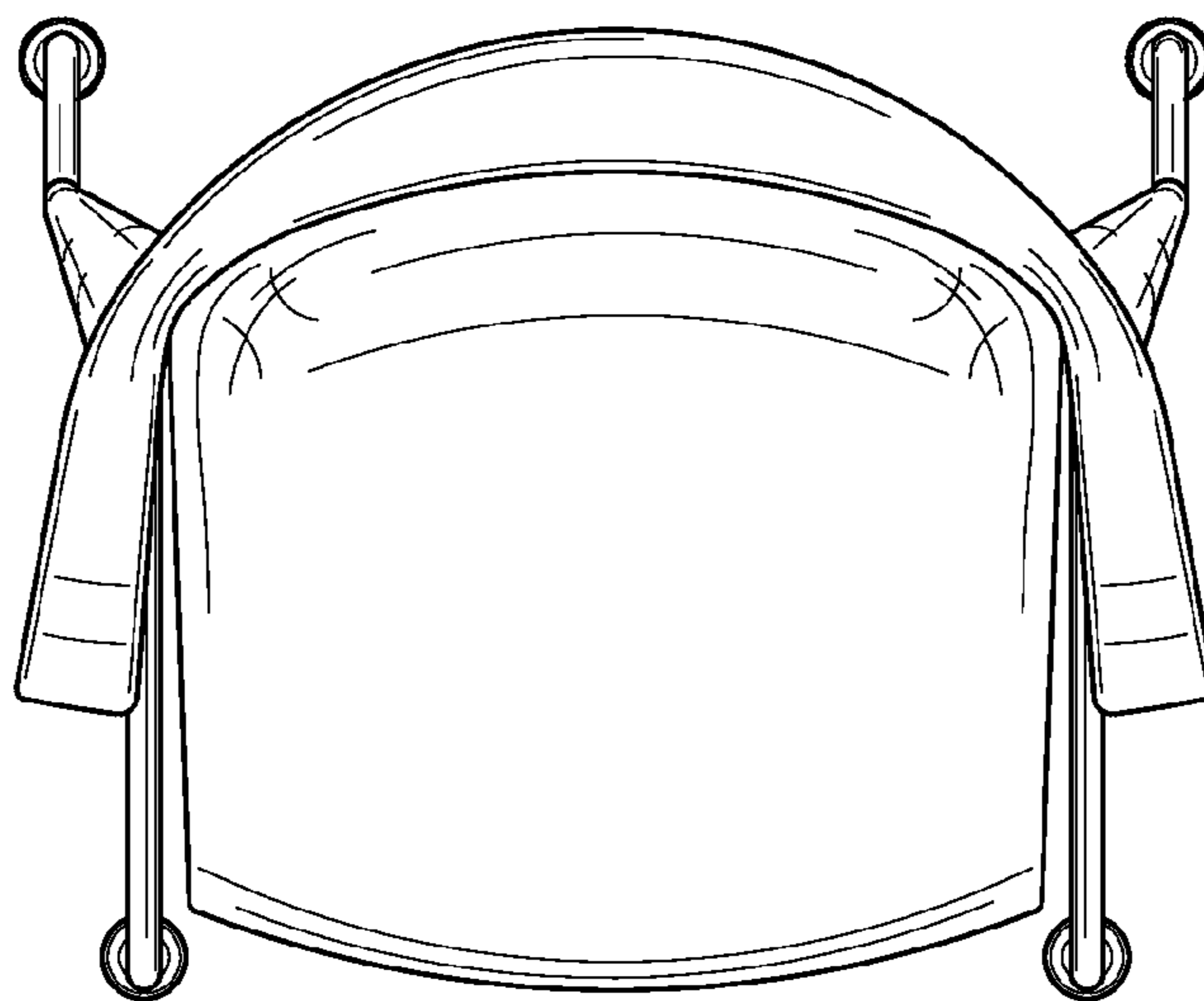


FIG. 10