



US00D548474S

(12) **United States Design Patent**  
**Fancelli**

(10) **Patent No.:** **US D548,474 S**

(45) **Date of Patent:** **\*\* Aug. 14, 2007**

(54) **CHAIR**

(75) Inventor: **Paolo Fancelli**, Zurich (CH)

(73) Assignee: **Stoll Giroflex AG**, Koblenz (CH)

(\*\*) Term: **14 Years**

(21) Appl. No.: **29/227,420**

(22) Filed: **Apr. 12, 2005**

(30) **Foreign Application Priority Data**

Oct. 13, 2004 (WO) ..... DM/066 039

(51) **LOC (8) Cl.** ..... **06-01**

(52) **U.S. Cl.** ..... **D6/366**

(58) **Field of Classification Search** ..... D6/366,  
D6/356, 334, 335, 364-367, 374-375, 379,  
D6/500-502; 297/284.4, 411.36, 452.21,  
297/452.29, 452.3, 452.35, 452.38

See application file for complete search history.

(56) **References Cited**

**U.S. PATENT DOCUMENTS**

D451,293 S	*	12/2001	Su	.....	D6/366
D499,564 S	*	12/2004	Meda	.....	D6/366
D506,894 S	*	7/2005	Harley	.....	D6/502
D507,124 S	*	7/2005	Yang	.....	D6/366
D509,671 S	*	9/2005	Olson et al.	.....	D6/366
D509,969 S	*	9/2005	Loew et al.	.....	D6/366
D512,232 S	*	12/2005	Wu	.....	D6/366
D514,338 S	*	2/2006	Bellin	.....	D6/366

\* cited by examiner

*Primary Examiner*—Robert M. Spear

*Assistant Examiner*—Katrina A. Kile

(74) *Attorney, Agent, or Firm*—Greenblum & Bernstein, P.L.C.

(57) **CLAIM**

I claim the ornamental design for a chair, as shown and described.

**DESCRIPTION**

FIG. 1 is a perspective view of a chair showing my new design;

FIG. 2 is a front side view of the design embodiment shown in FIG. 1;

FIG. 3 is a back side view of the design embodiment shown in FIG. 1;

FIG. 4 is a left side view of the design embodiment shown in FIG. 1;

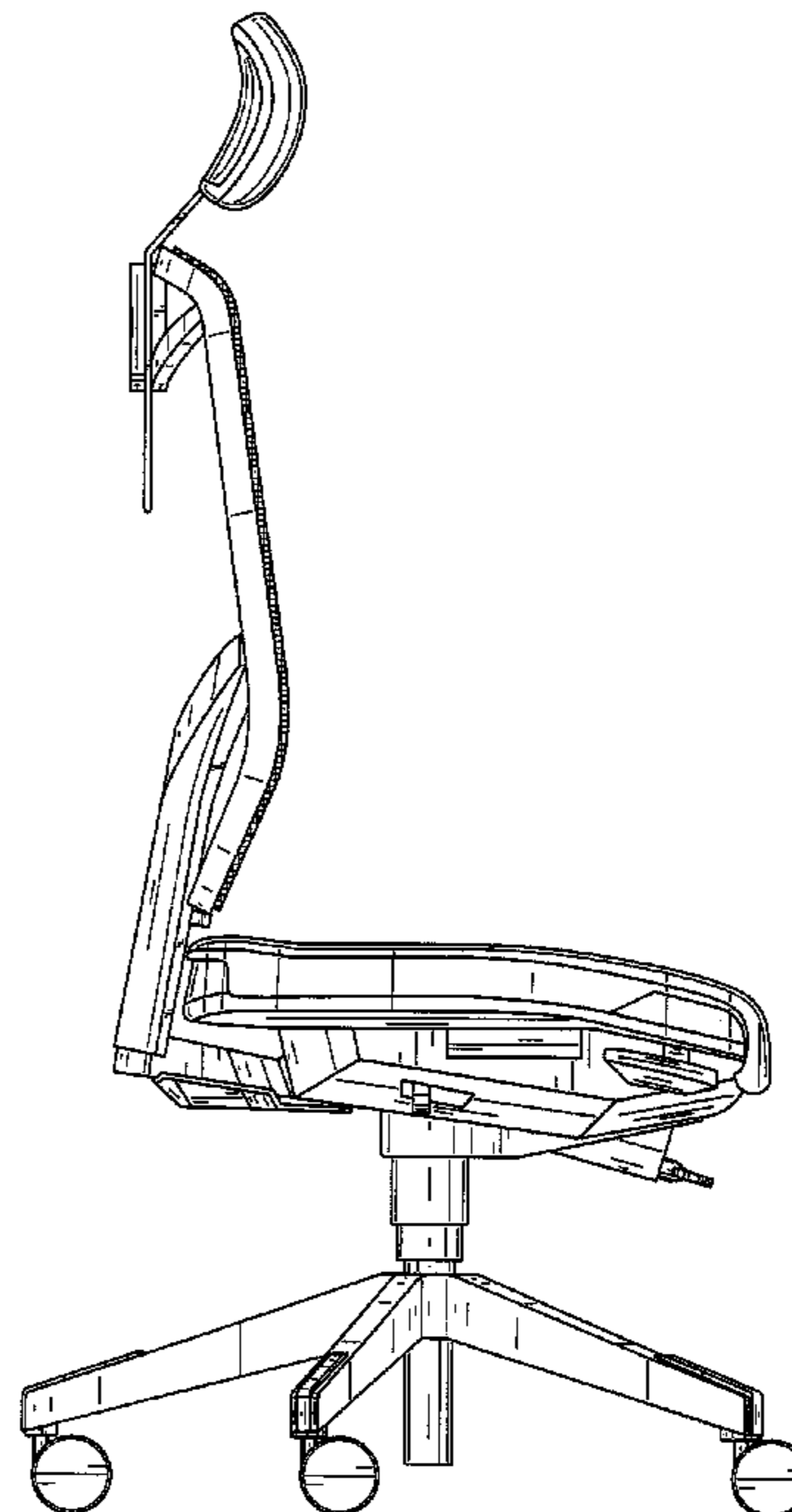
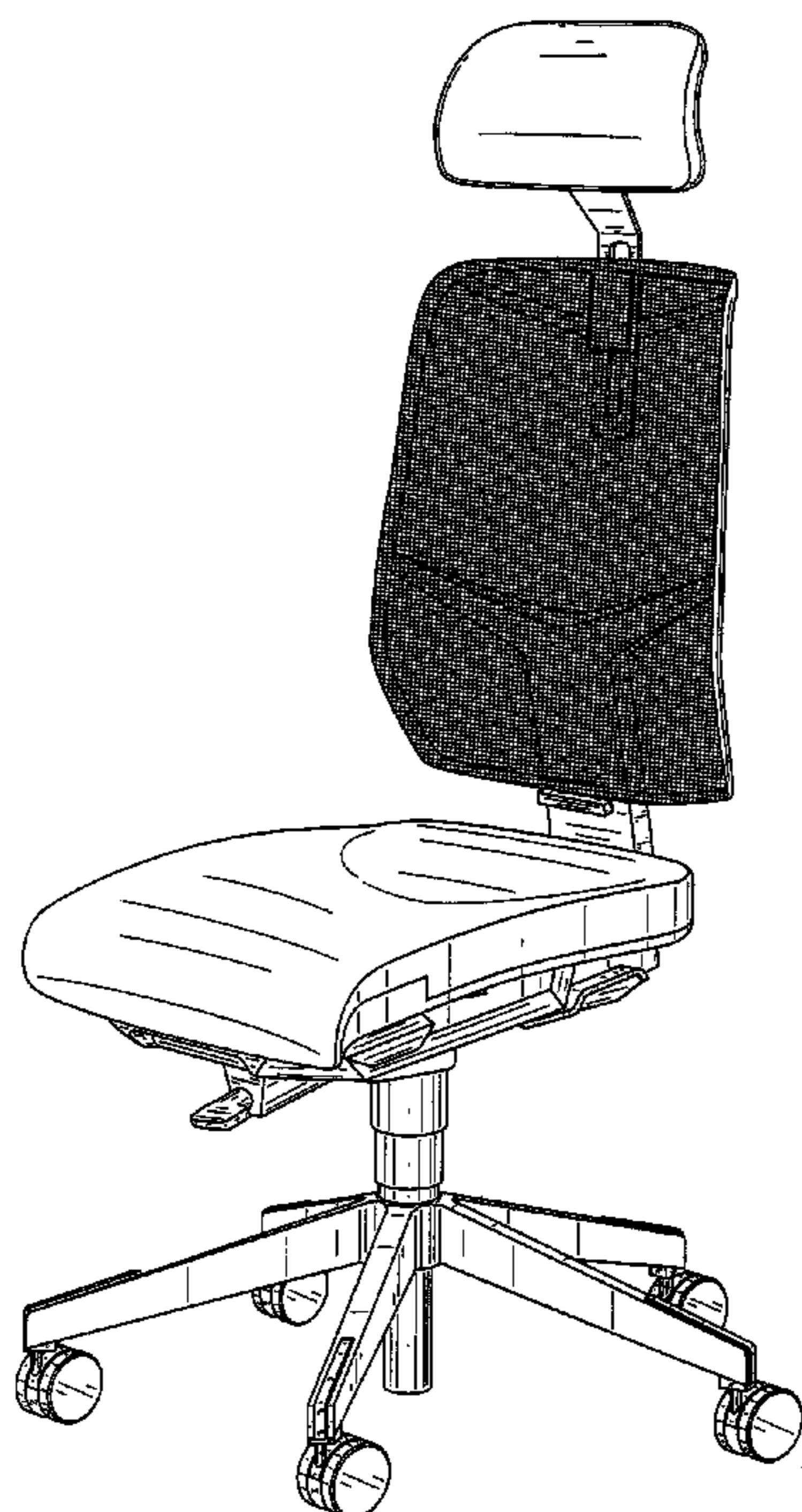
FIG. 5 is a right side view of the design embodiment shown in FIG. 1;

FIG. 6 is a top view of the design embodiment shown in FIG. 1; and,

FIG. 7 is a bottom view of the design embodiment shown in FIG. 1.

Any surfaces of the design not shown, including interior surfaces, form no part of the claimed invention.

**1 Claim, 7 Drawing Sheets**



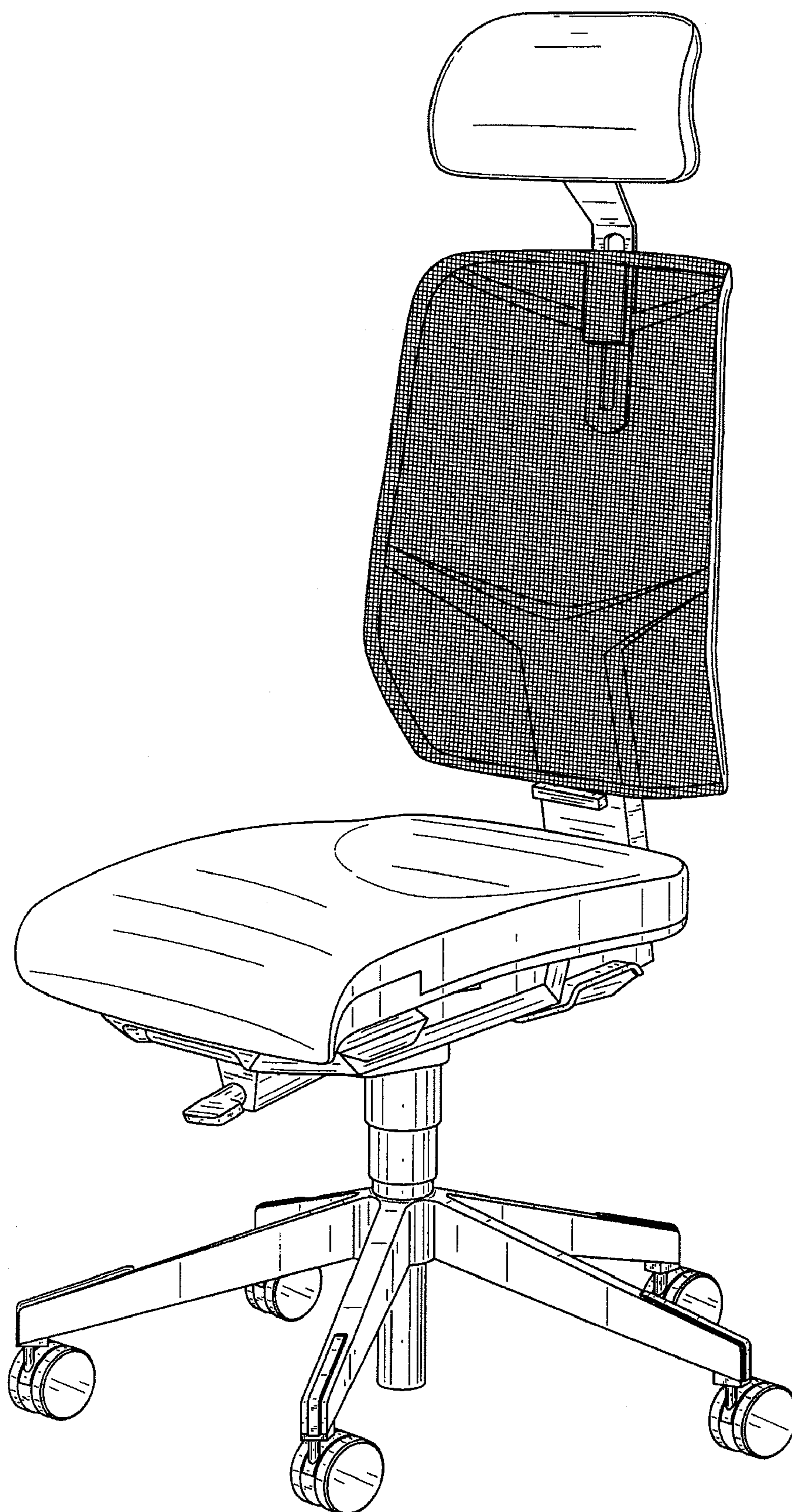


FIG. 1

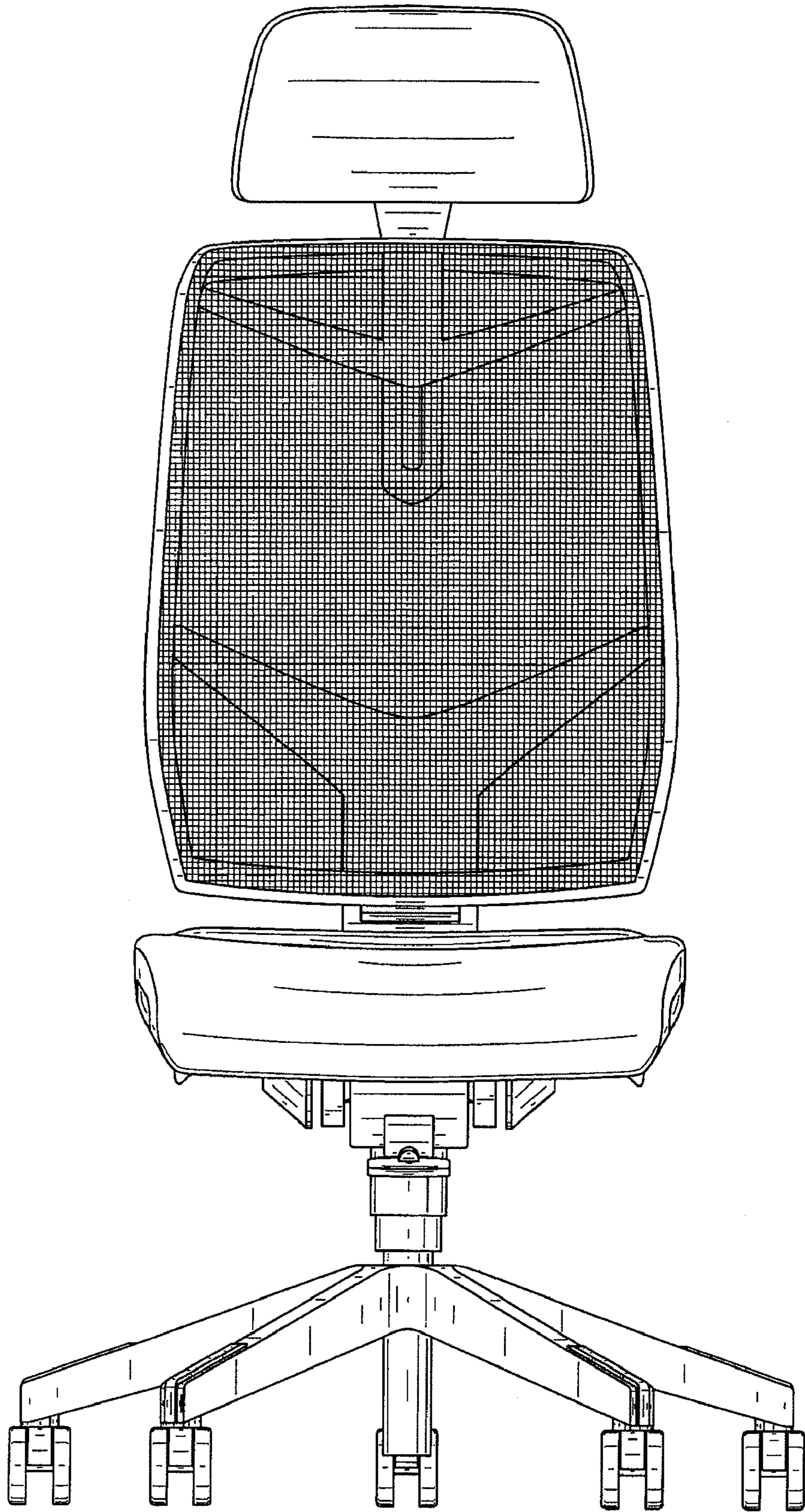


FIG. 2

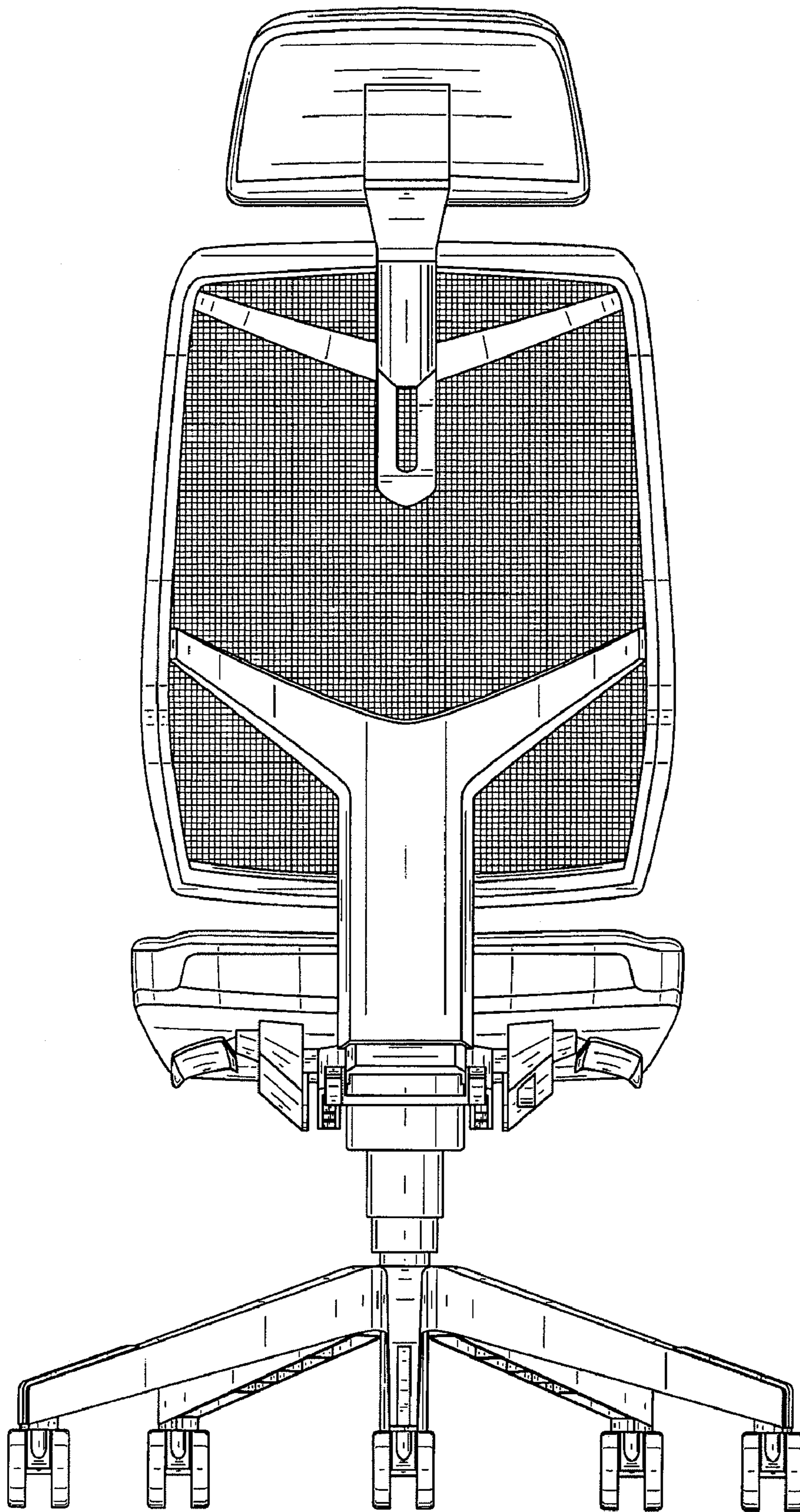


FIG. 3

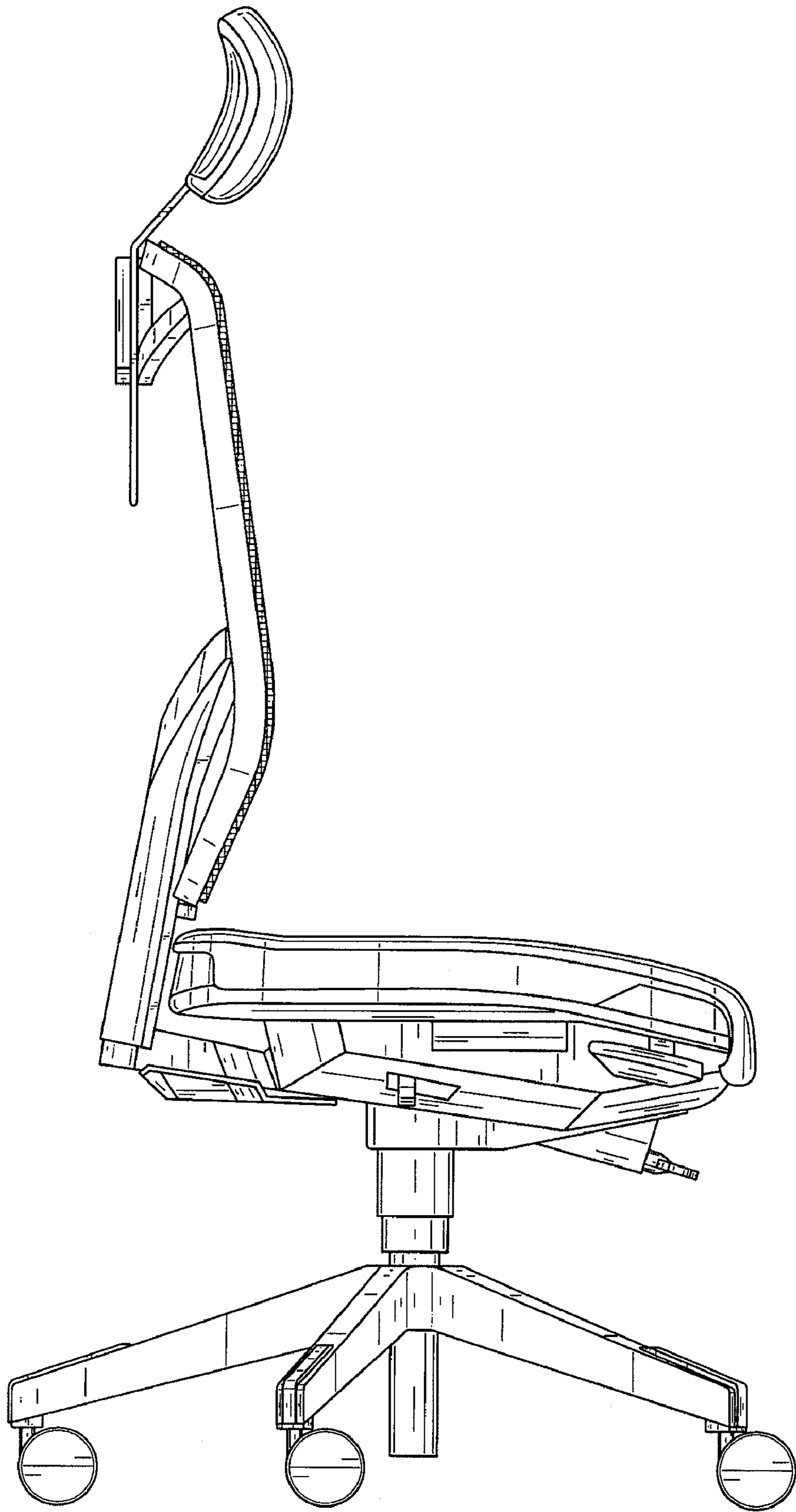


FIG. 4

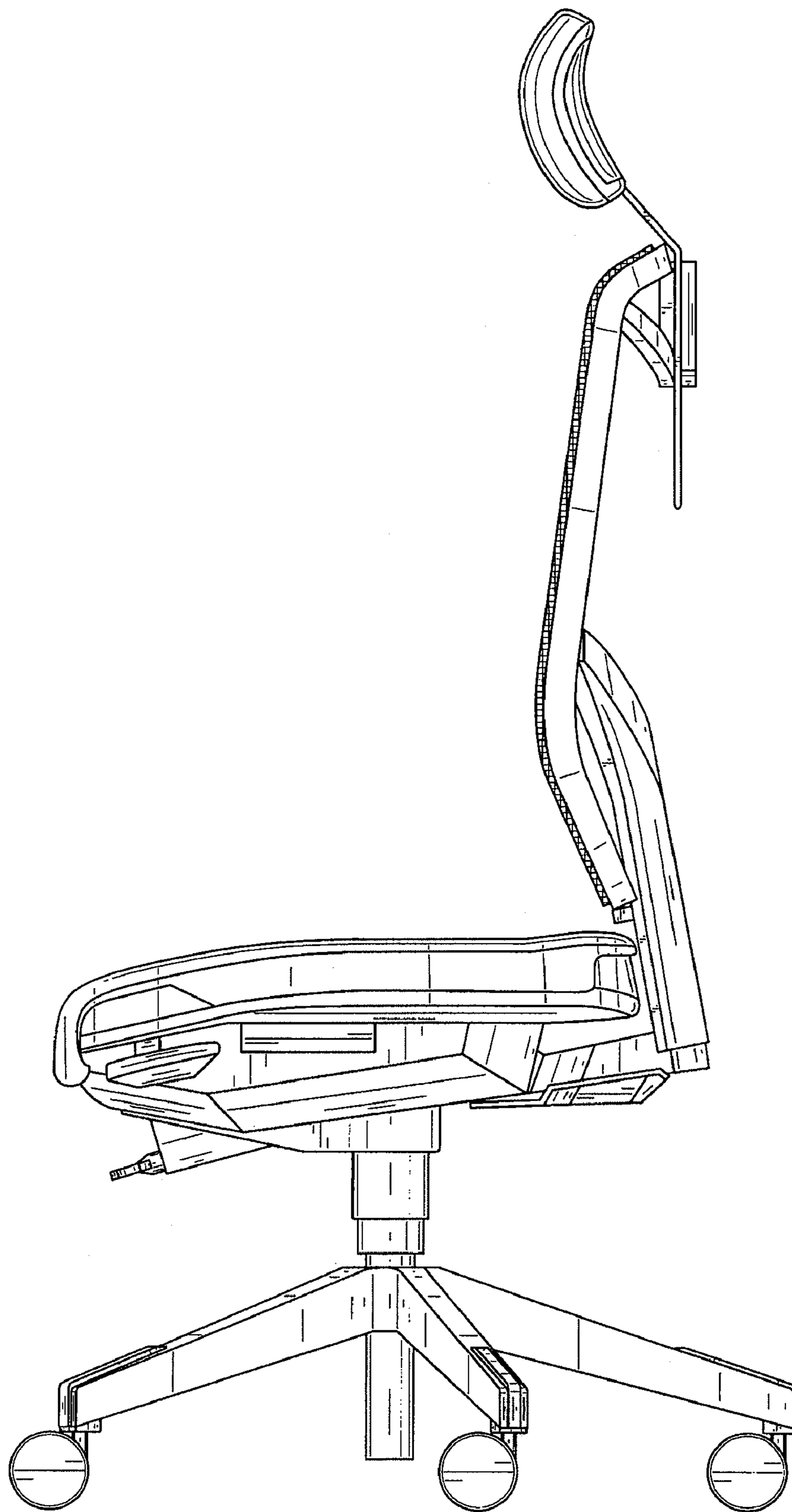


FIG. 5

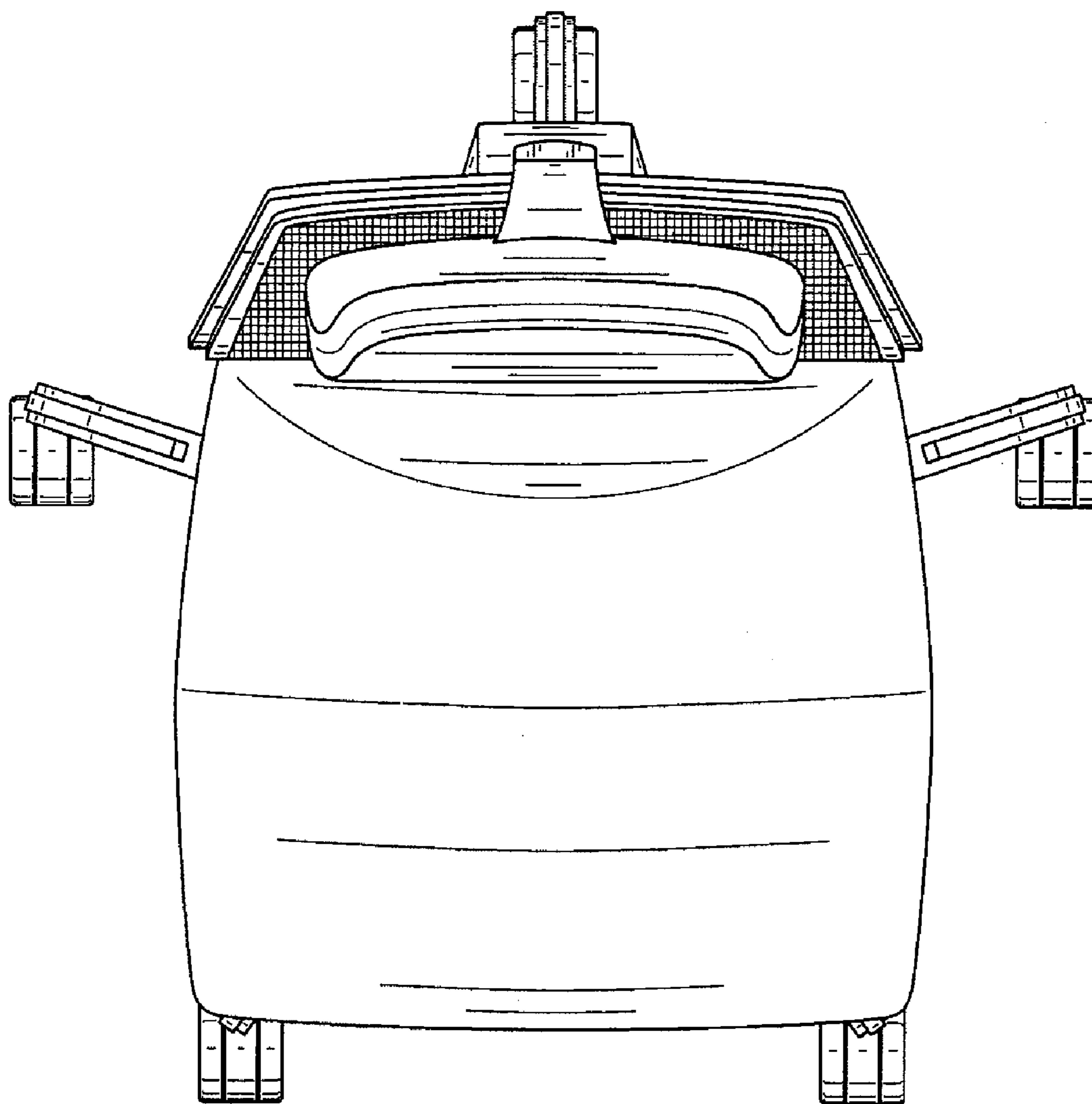


FIG. 6

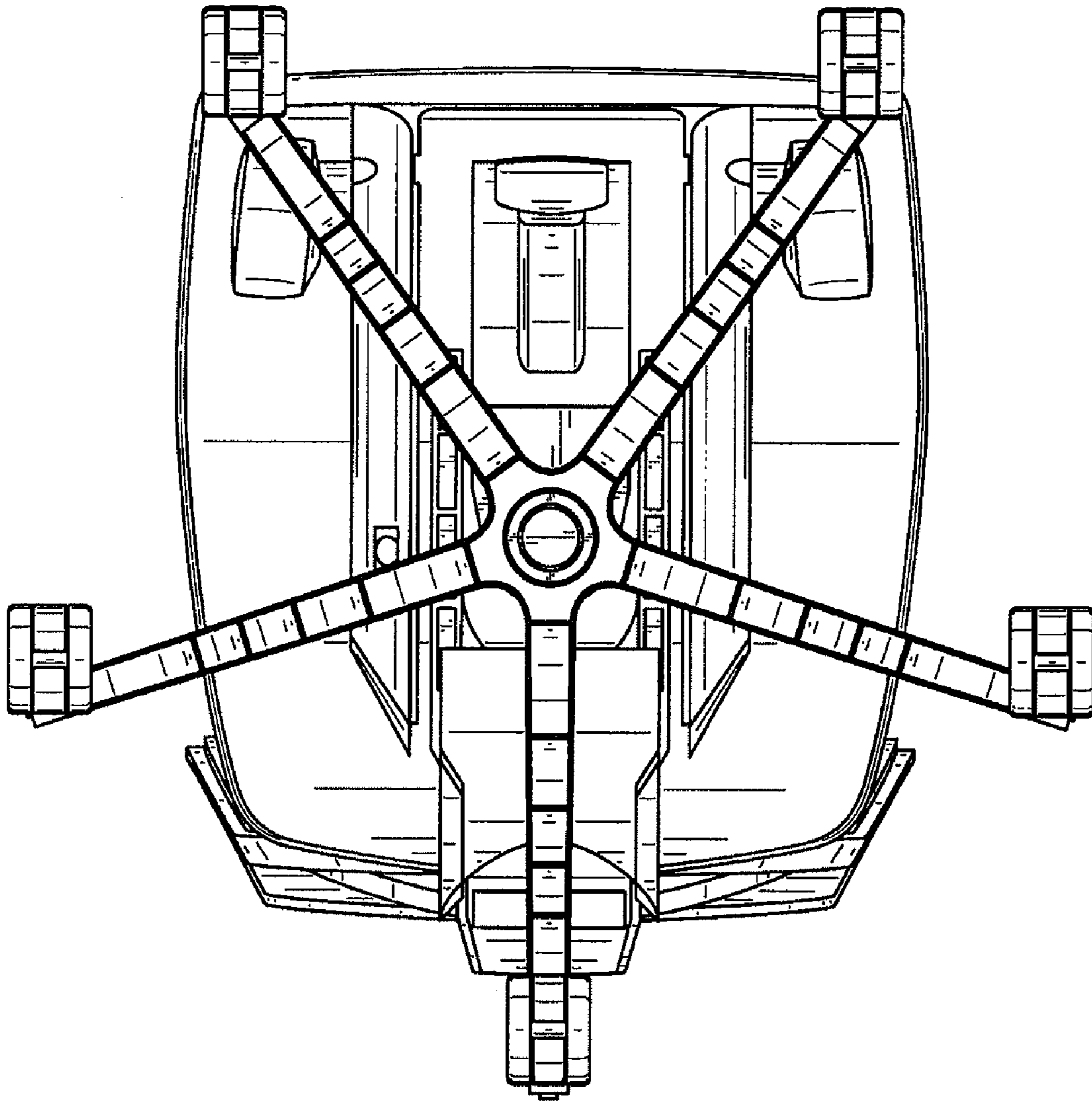


FIG. 7