



US00D548472S

(12) **United States Design Patent**  
**Habing et al.**

(10) **Patent No.:** **US D548,472 S**

(45) **Date of Patent:** **\*\* Aug. 14, 2007**

(54) **LOUNGE SWING**

D531,826 S \* 11/2006 Nutsos ..... D6/347

(75) Inventors: **Theodore G. Habing**, Tustin, CA (US);  
**Douglas J. Habing**, Long Beach, CA  
(US); **Carlos E. Gonzalez**, South Gate,  
CA (US)

\* cited by examiner

*Primary Examiner*—Caron D. Veynar

*Assistant Examiner*—Abraham Bahta

(74) *Attorney, Agent, or Firm*—Blakely, Sokoloff, Taylor &  
Zafman, LLP

(73) Assignee: **Dream Visions, LLC**, Tustin, CA (US)

(\*\*) Term: **14 Years**

(57) **CLAIM**

(21) Appl. No.: **29/253,413**

The ornamental design for a lounge swing, as shown and  
described.

(22) Filed: **Feb. 3, 2006**

**DESCRIPTION**

(51) **LOC (8) Cl.** ..... **06-01**

(52) **U.S. Cl.** ..... **D6/347**

(58) **Field of Classification Search** ..... D6/347,  
D6/333–336, 369–370, 374–375, 381, 403,  
D6/462, 500–502; 297/273, 277, 452.13;  
472/118, 112; D21/823, 825; D7/601; D30/133  
See application file for complete search history.

FIG. 1 is a perspective view of a lounge swing showing our  
new design;

FIG. 2 is a front elevation view thereof;

FIG. 3 is a left side elevation view thereof;

FIG. 4 is a rear elevation view thereof;

FIG. 5 is a right side elevation view thereof;

FIG. 6 is a top plan view thereof; and,

FIG. 7 is a bottom plan view thereof.

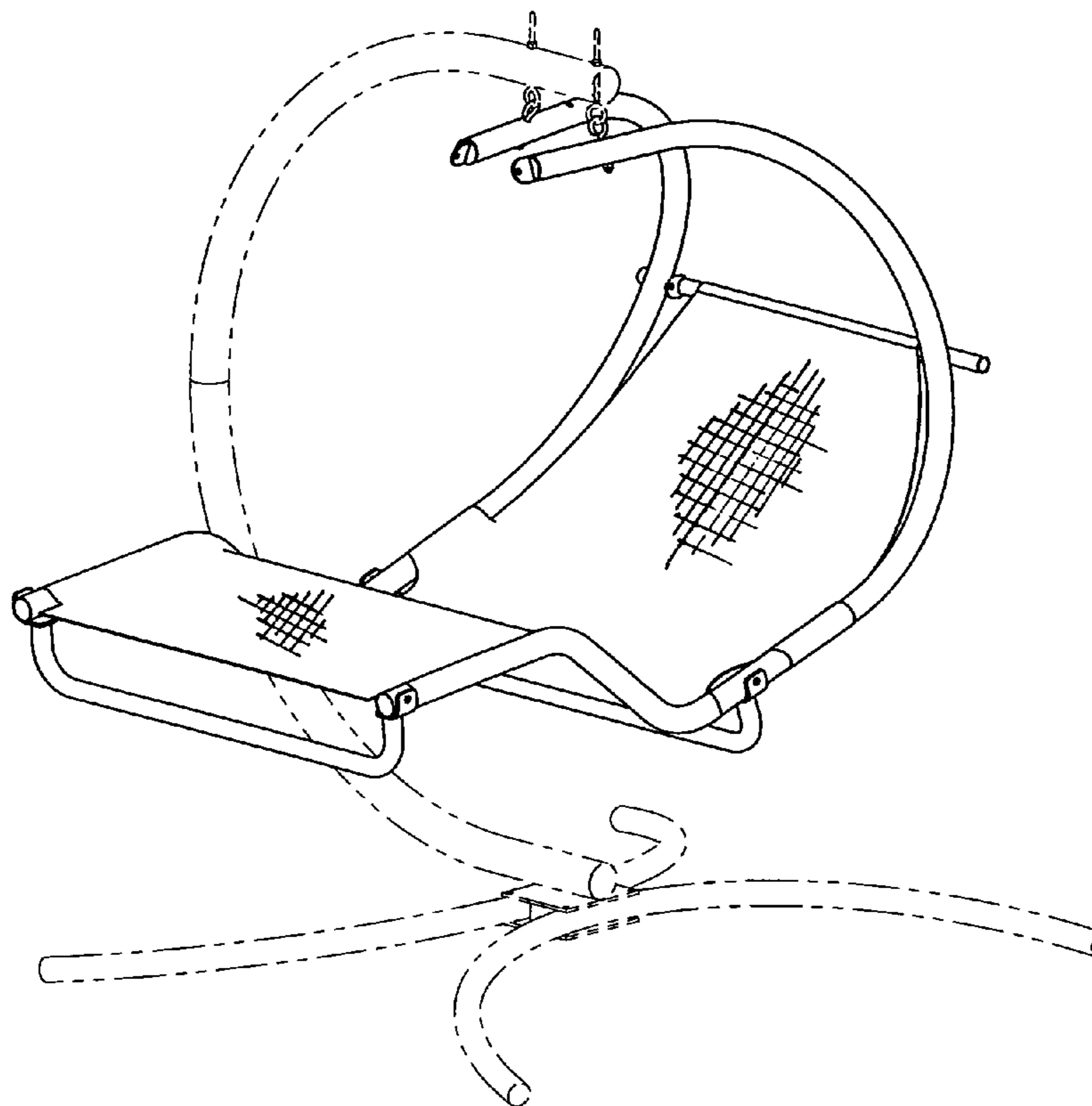
The environmental structure shown in broken lines is for  
illustrative purposes only and forms no part of the claimed  
design.

(56) **References Cited**

U.S. PATENT DOCUMENTS

446,659	A	*	2/1891	Bunker	.....	297/266.1
3,528,657	A	*	9/1970	Krupsky	.....	472/118
D230,921	S	*	3/1974	Bonnell et al.	.....	D6/347
D364,282	S	*	11/1995	Andersson	.....	D6/356
5,588,702	A	*	12/1996	Litwin	.....	297/277
D522,259	S	*	6/2006	Wu	.....	D6/347

**1 Claim, 7 Drawing Sheets**



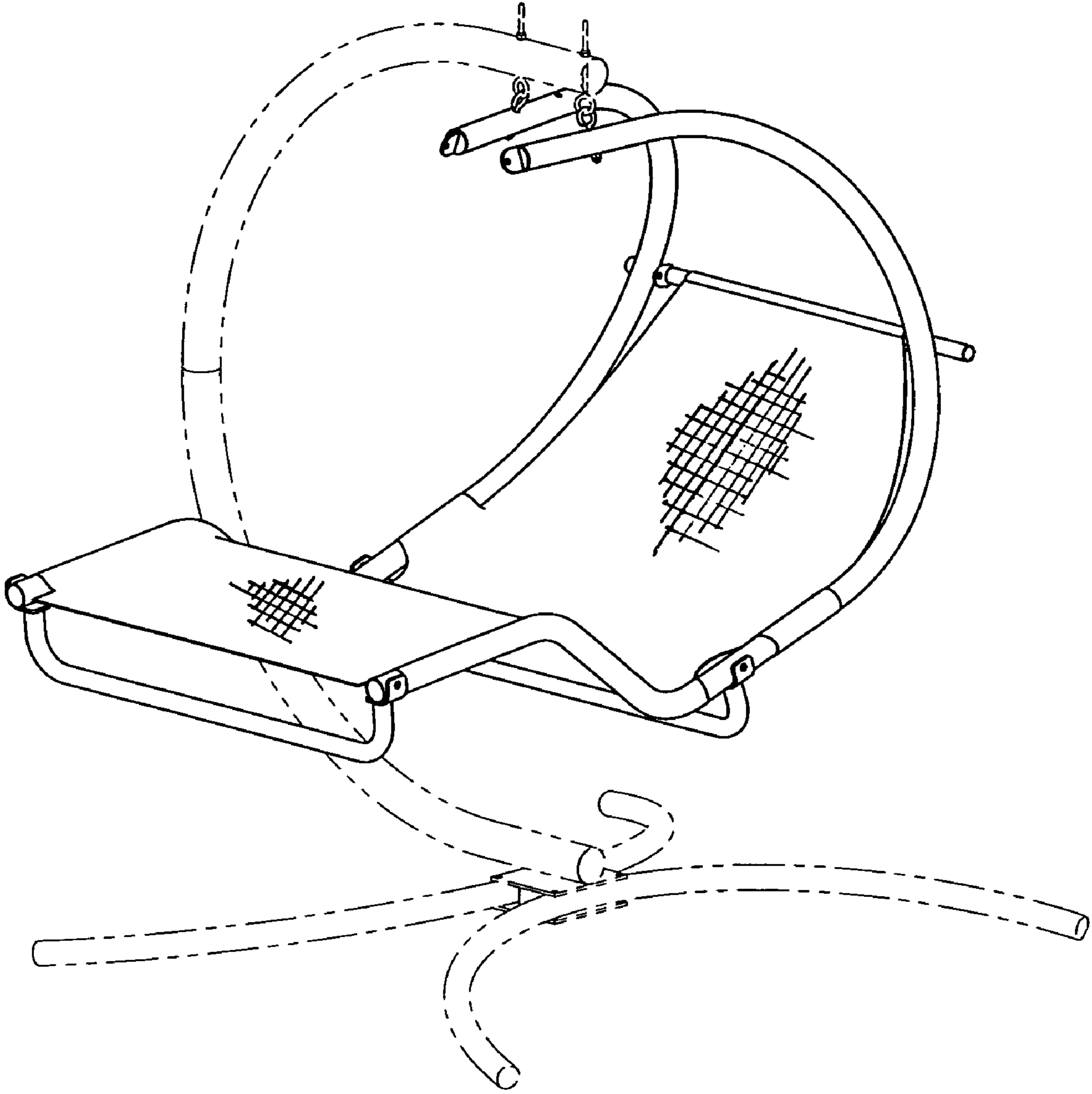


FIG. 1

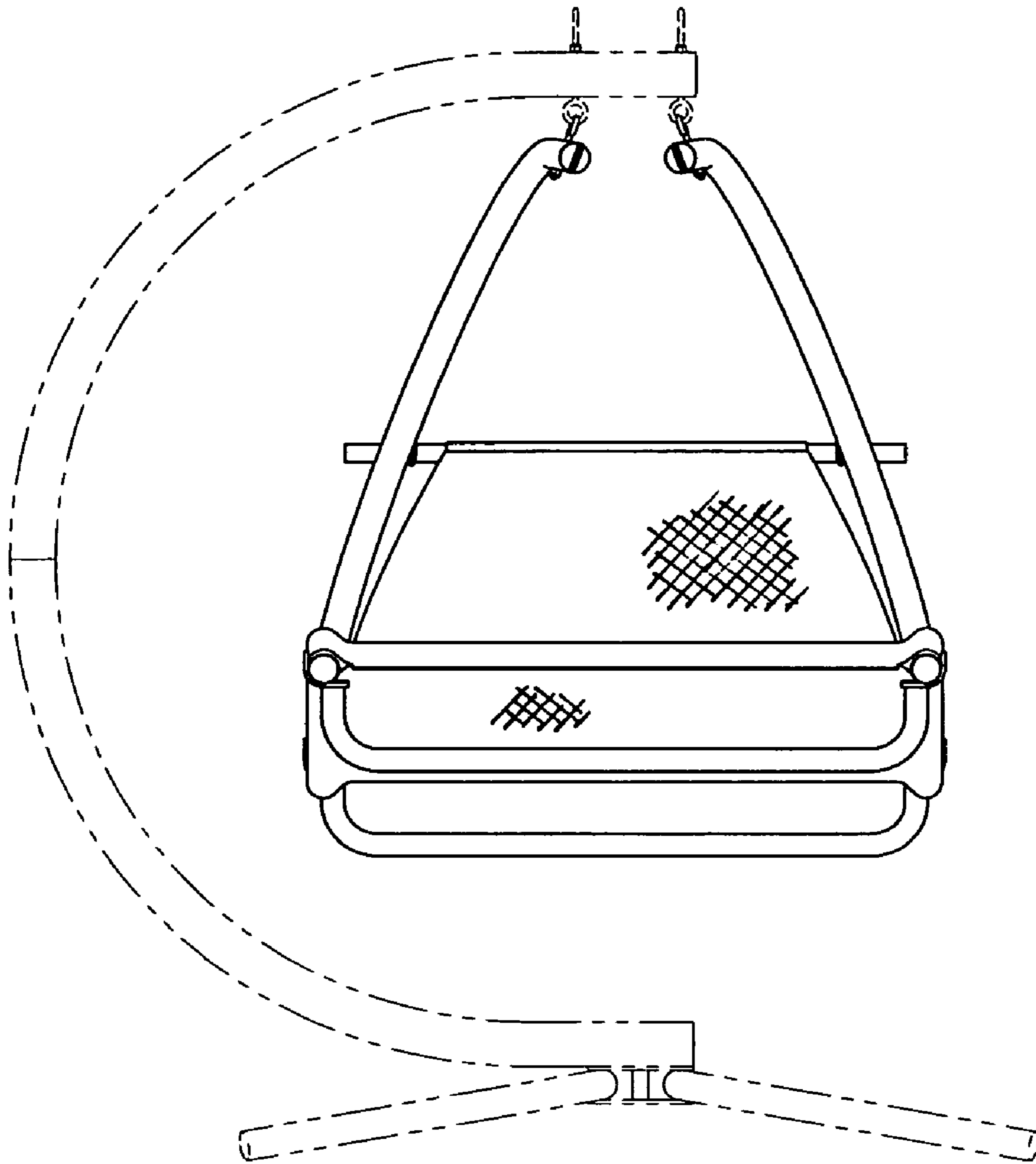


FIG. 2

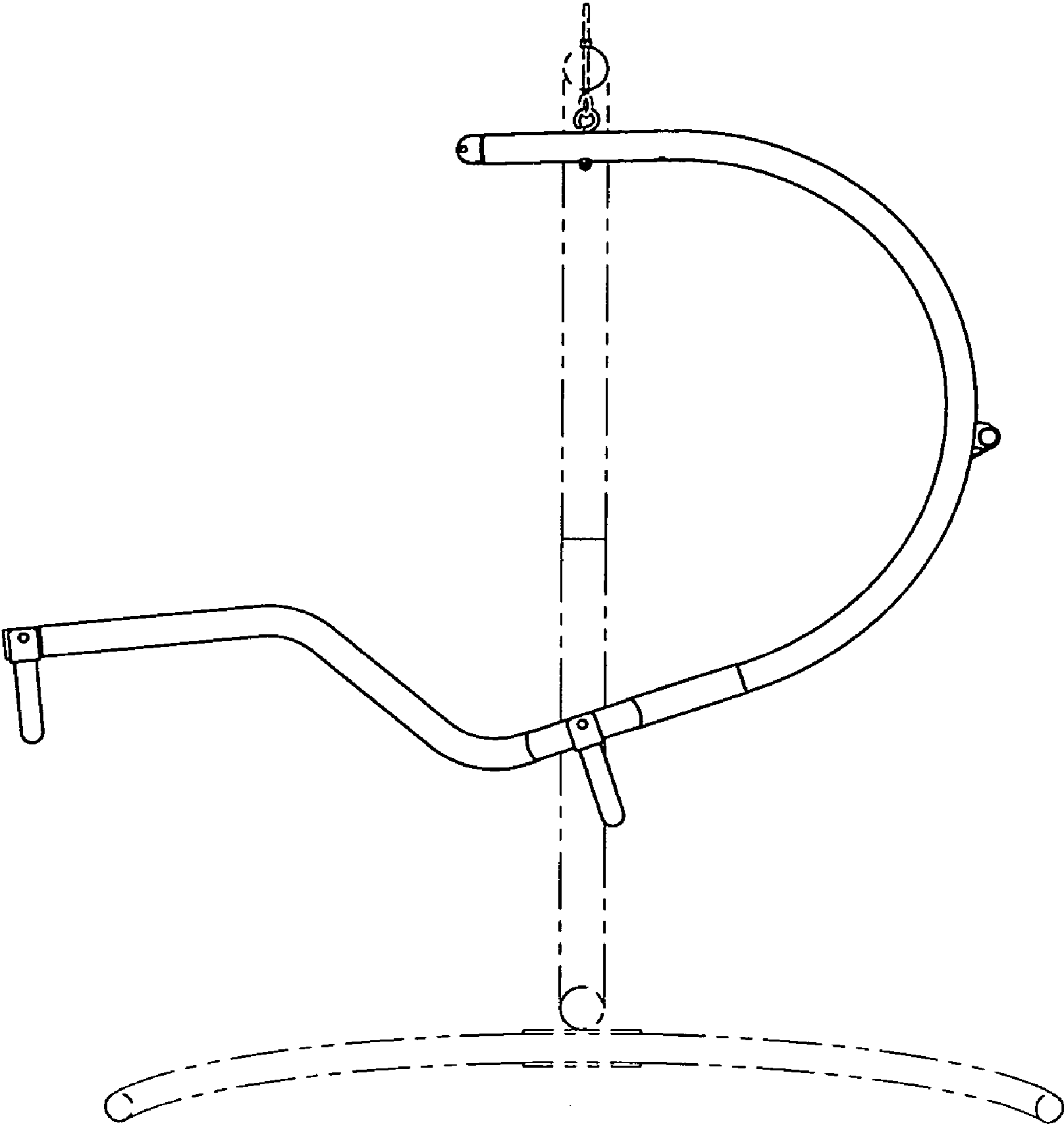


FIG. 3

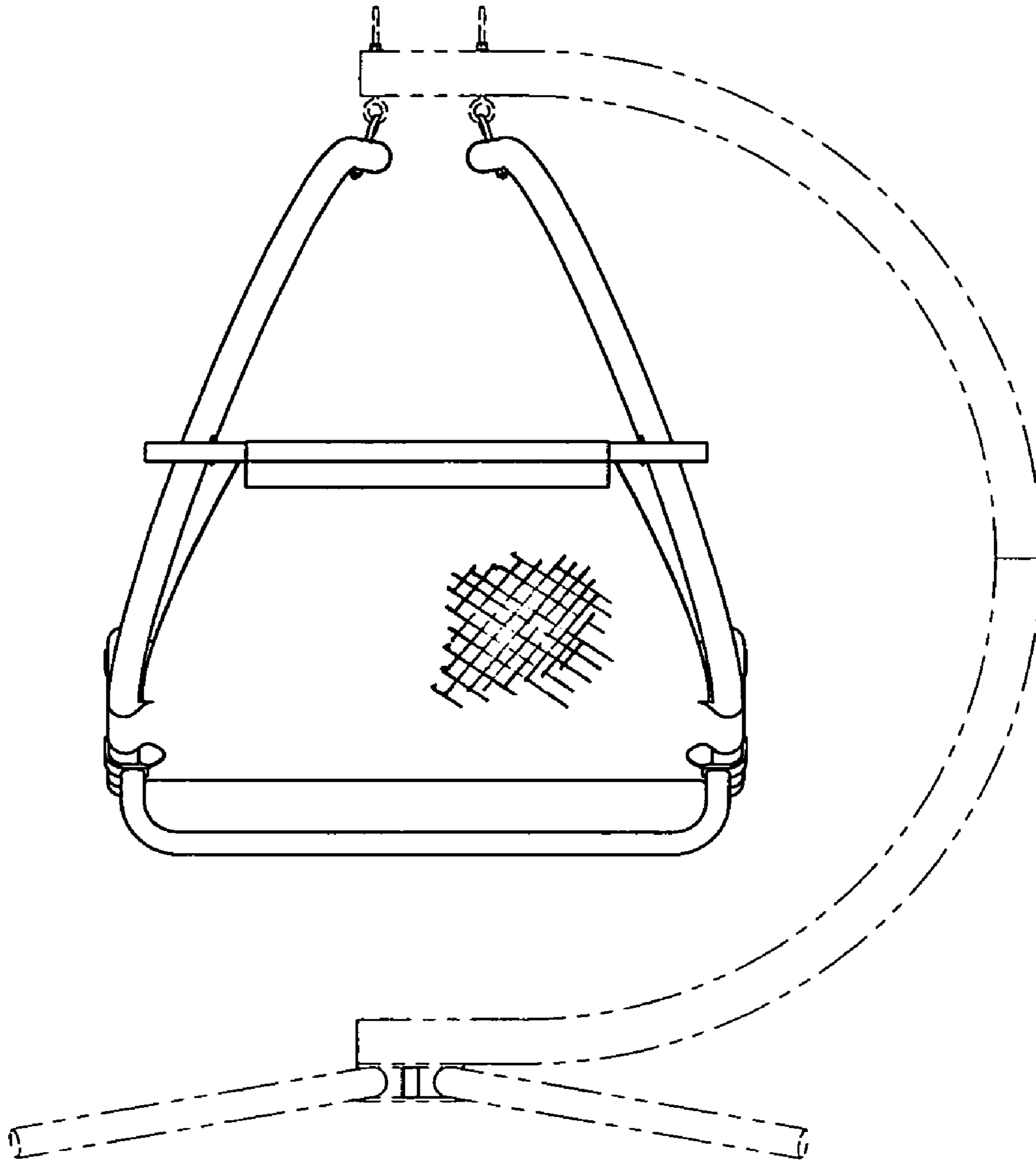


FIG. 4

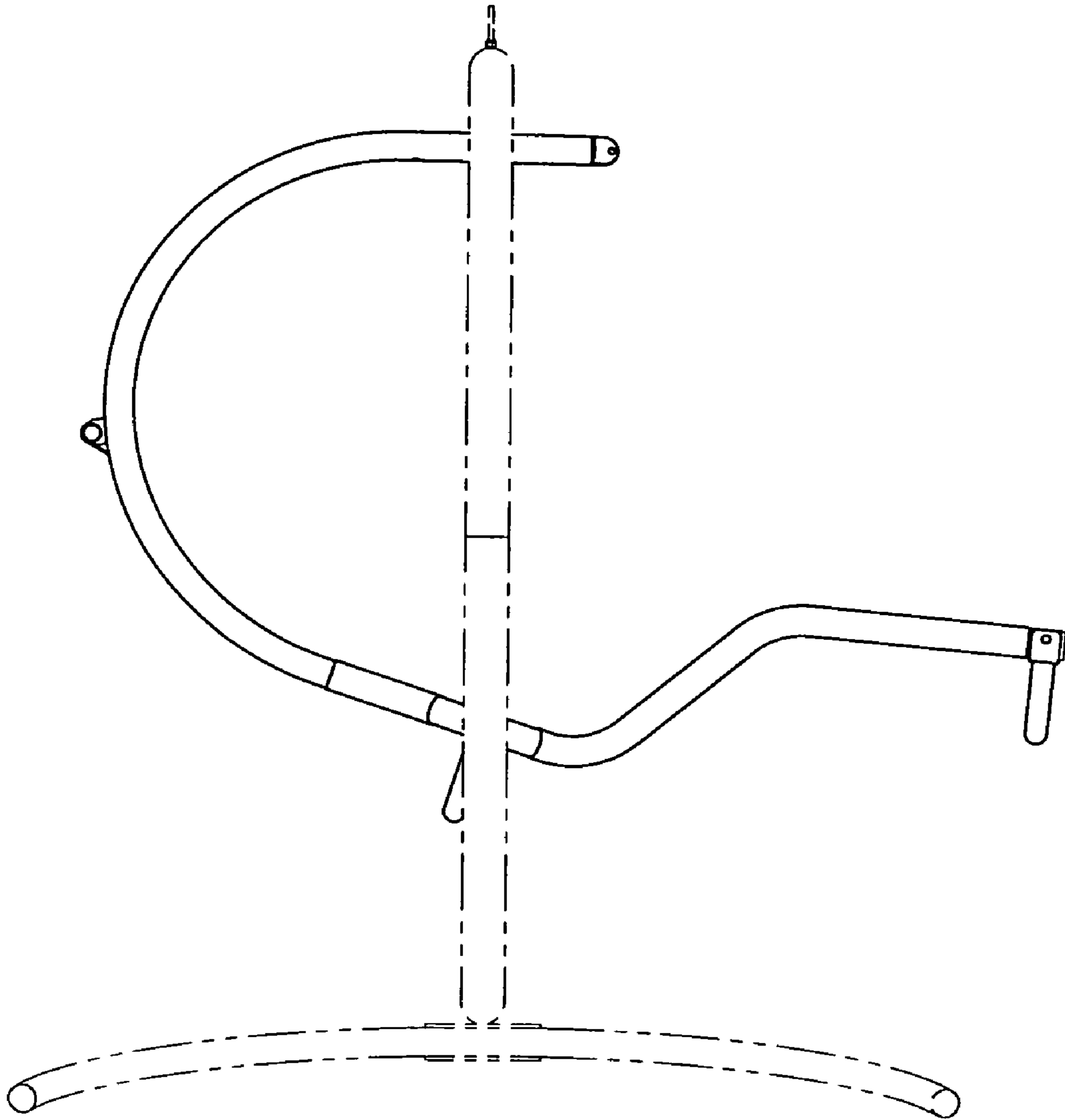


FIG. 5

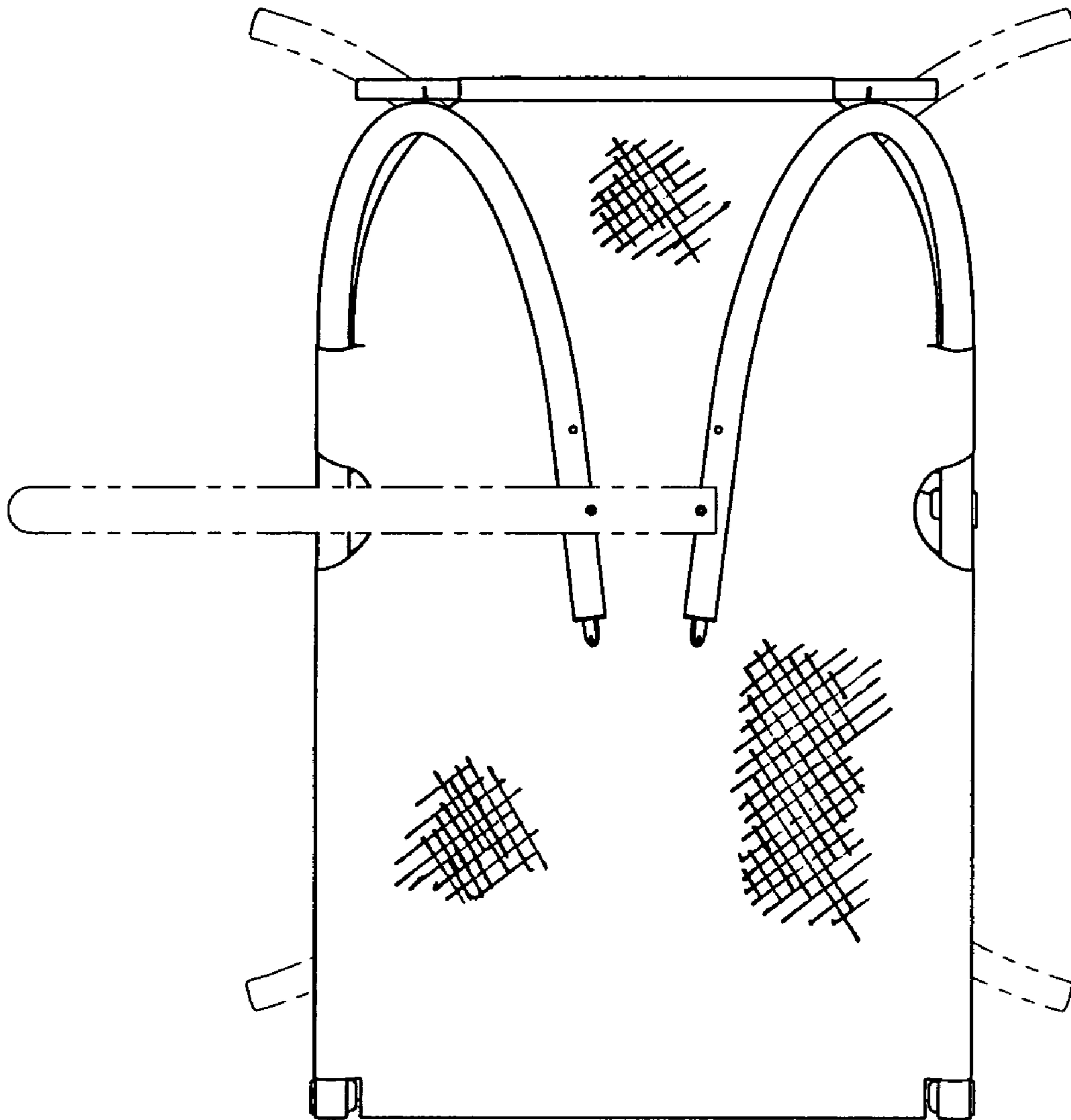


FIG. 6

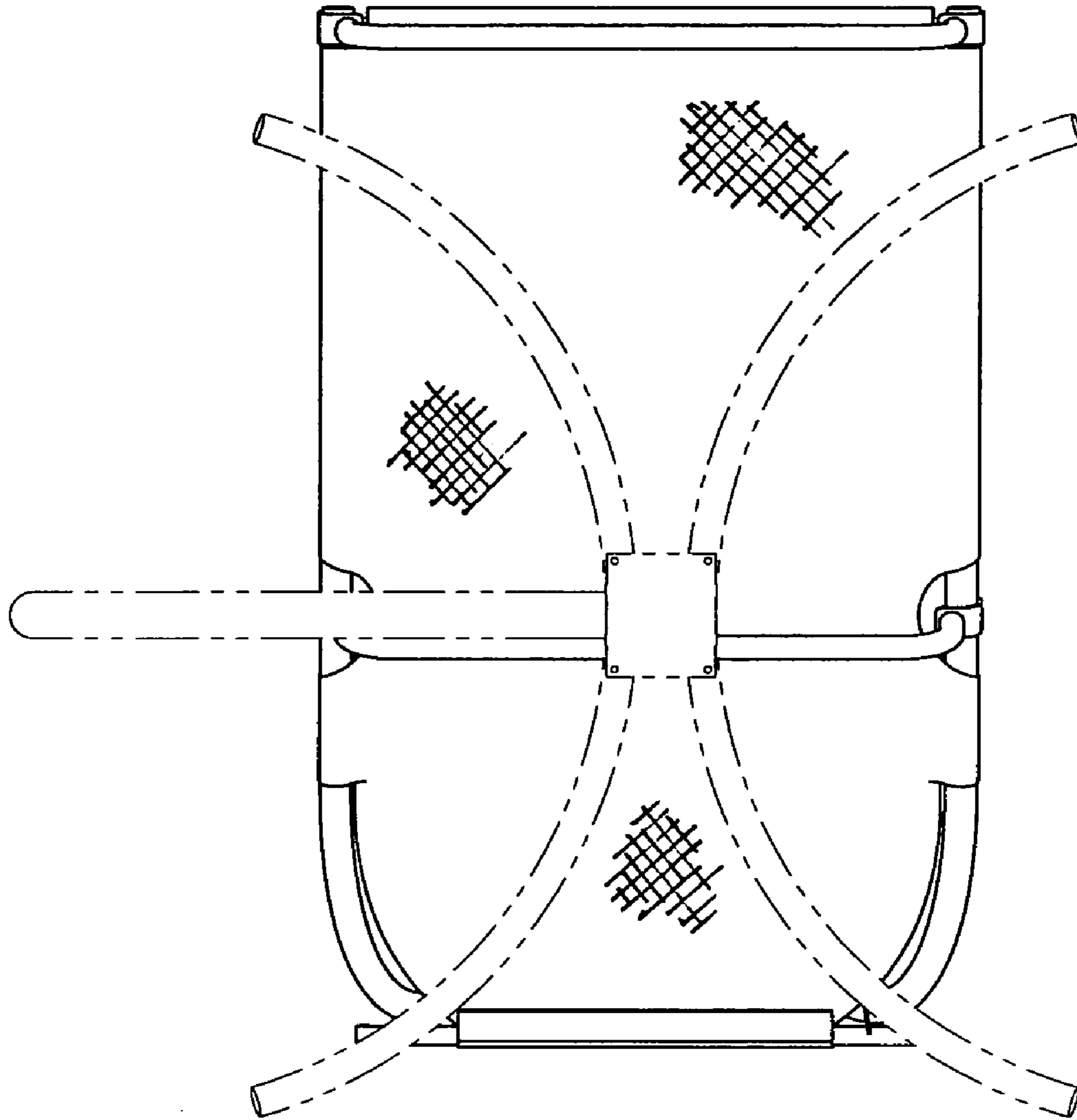


FIG. 7