



US00D548470S

(12) **United States Design Patent**  
**Lowsky**

(10) **Patent No.:** **US D548,470 S**

(45) **Date of Patent:** **\*\* Aug. 14, 2007**

(54) **CHAIR**

(75) Inventor: **Jamie Lowsky**, Aventura, FL (US)

(73) Assignee: **Pride Family Brands, Inc.**, Fort  
Lauderdale, FL (US)

(\*\*) Term: **14 Years**

(21) Appl. No.: **29/250,780**

(22) Filed: **Nov. 30, 2006**

(51) **LOC (8) Cl.** ..... **06-01**

(52) **U.S. Cl.** ..... **D6/334**

(58) **Field of Classification Search** ..... D6/334,  
D6/370, 374, 379–381, 500–502; 297/445.1,  
297/446.1; 5/12.1

See application file for complete search history.

(56) **References Cited**

**U.S. PATENT DOCUMENTS**

1,773,752	A	*	8/1930	Ross	.....	297/276
D83,009	S	*	1/1931	Ross	.....	D6/370
D83,569	S	*	3/1931	Platter	.....	D6/335
D83,835	S	*	3/1931	Ross	.....	D6/370
3,972,565	A	*	8/1976	Smith	.....	297/452.48
D366,774	S	*	2/1996	Frinier	.....	D6/370
D368,173	S	*	3/1996	Kramer	.....	D6/370
D373,910	S	*	9/1996	Frinier	.....	D6/370
D376,270	S	*	12/1996	Slear	.....	D6/370
D399,666	S	*	10/1998	Muller	.....	D6/370
D399,667	S	*	10/1998	Muller	.....	D6/370
D419,322	S	*	1/2000	Muller	.....	D6/370
D419,323	S	*	1/2000	Muller	.....	D6/370
D419,324	S	*	1/2000	Muller	.....	D6/370
D420,825	S	*	2/2000	Lin	.....	D6/370
D424,315	S	*	5/2000	Jeng	.....	D6/370
D425,718	S	*	5/2000	van Valderen	.....	D6/370
D440,420	S	*	4/2001	Goldstein	.....	D6/370
D448,187	S	*	9/2001	Goldstein	.....	D6/370
D448,194	S	*	9/2001	Caldwell	.....	D6/375

D449,745	S	*	10/2001	Slear	.....	D6/370
D457,341	S	*	5/2002	Muller	.....	D6/370
D486,663	S	*	2/2004	Weaver	.....	D6/379
D498,938	S	*	11/2004	Kingsley et al.	.....	D6/370
D511,901	S	*	11/2005	Mohundro	.....	D6/370
D512,234	S	*	12/2005	Spector et al.	.....	D6/370
D513,369	S	*	1/2006	Cross	.....	D6/370
D524,566	S	*	7/2006	Lowsky	.....	D6/370
D525,799	S	*	8/2006	Lowsky	.....	D6/370
D535,114	S	*	1/2007	Goldstein	.....	D6/381

\* cited by examiner

*Primary Examiner*—Sandra Snapp

(74) *Attorney, Agent, or Firm*—Akerman Senterfitt; Peter A. Chiabotti

(57) **CLAIM**

The ornamental design for a chair, as shown and described.

**DESCRIPTION**

FIG. 1 is a perspective view of my ornamental design;

FIG. 2 is a left elevation view of the ornamental design of FIG. 1;

FIG. 3 is a right elevation view of the ornamental design of FIG. 1;

FIG. 4 is a front elevation view of the ornamental design of FIG. 1;

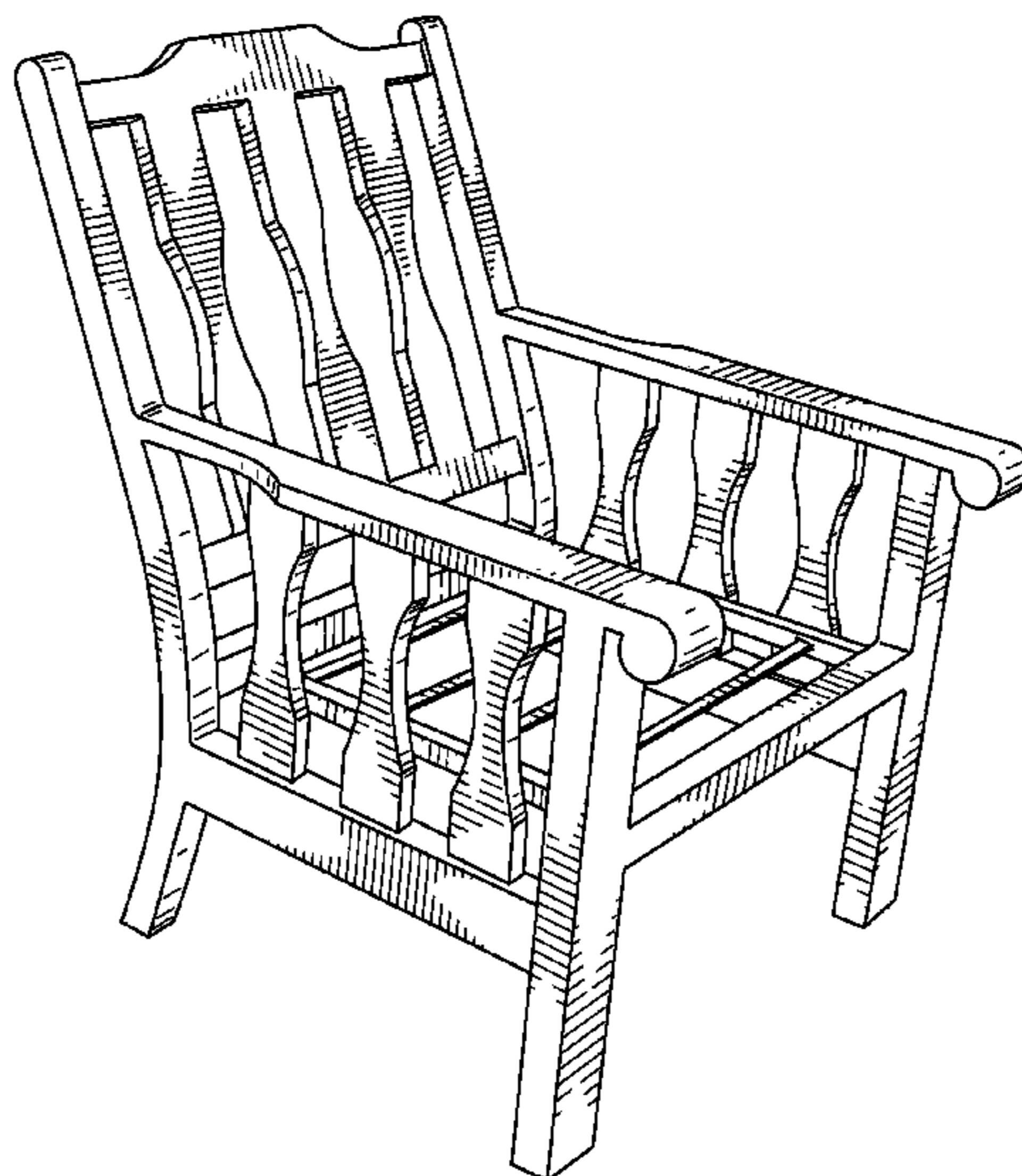
FIG. 5 is a rear elevation view of the ornamental design of FIG. 1;

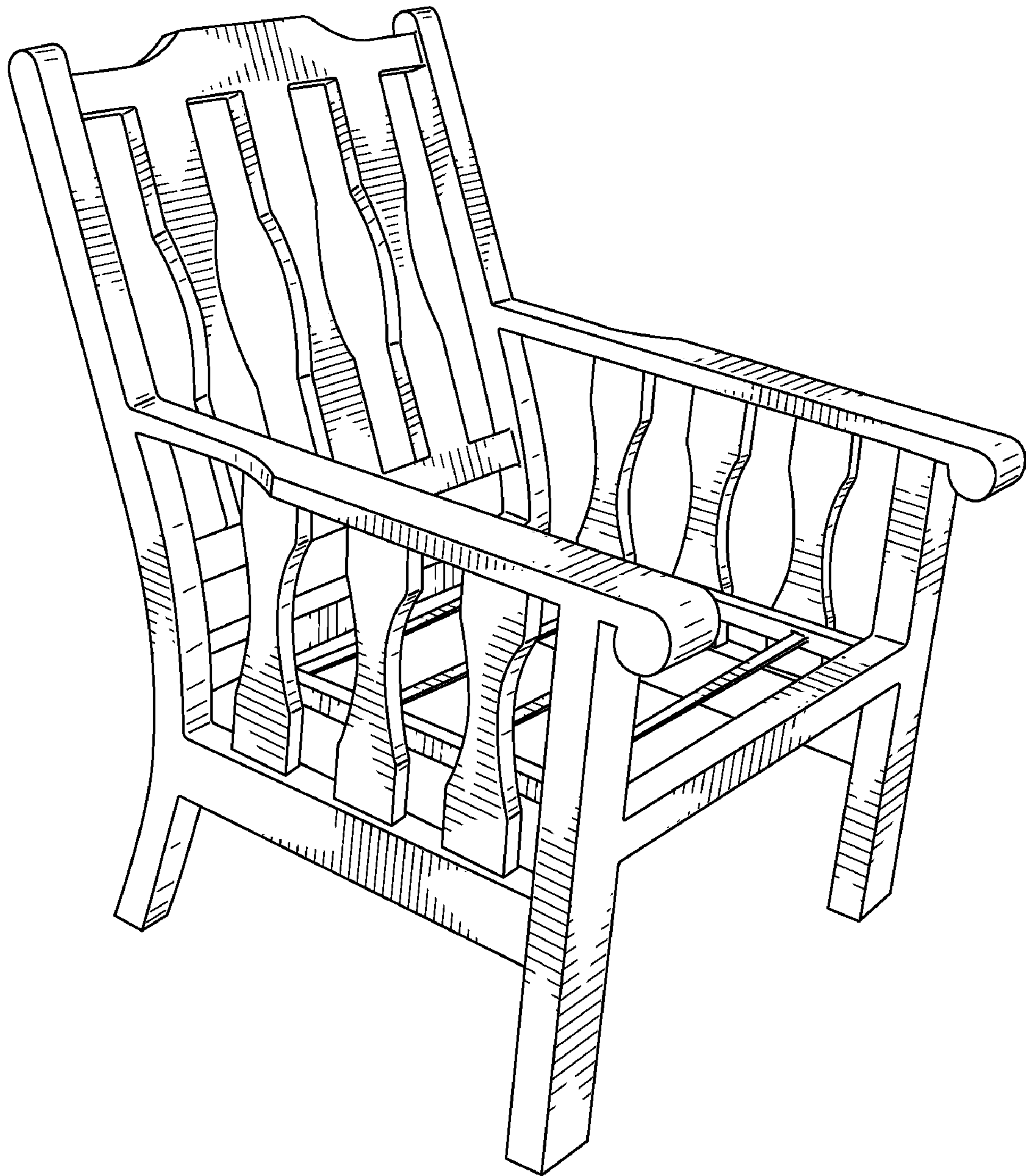
FIG. 6 is a top view of the ornamental design of FIG. 1;

FIG. 7 is a bottom view of the ornamental design of FIG. 1; and,

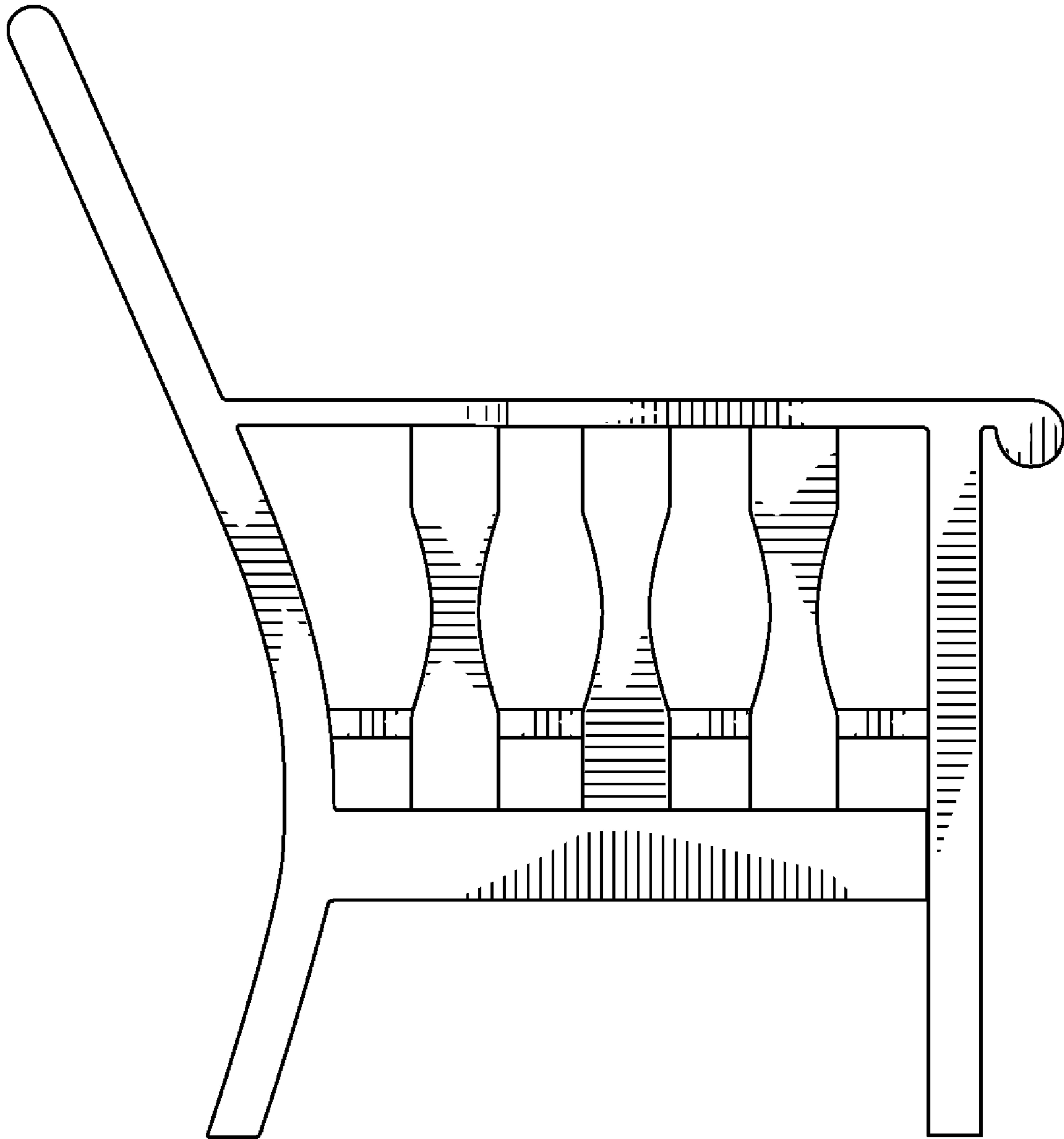
FIG. 8 is a perspective view of my ornamental design of FIG. 1 with broken lines showing cushions, which are shown for illustrative purposes only and form no part of the claimed design.

**1 Claim, 8 Drawing Sheets**

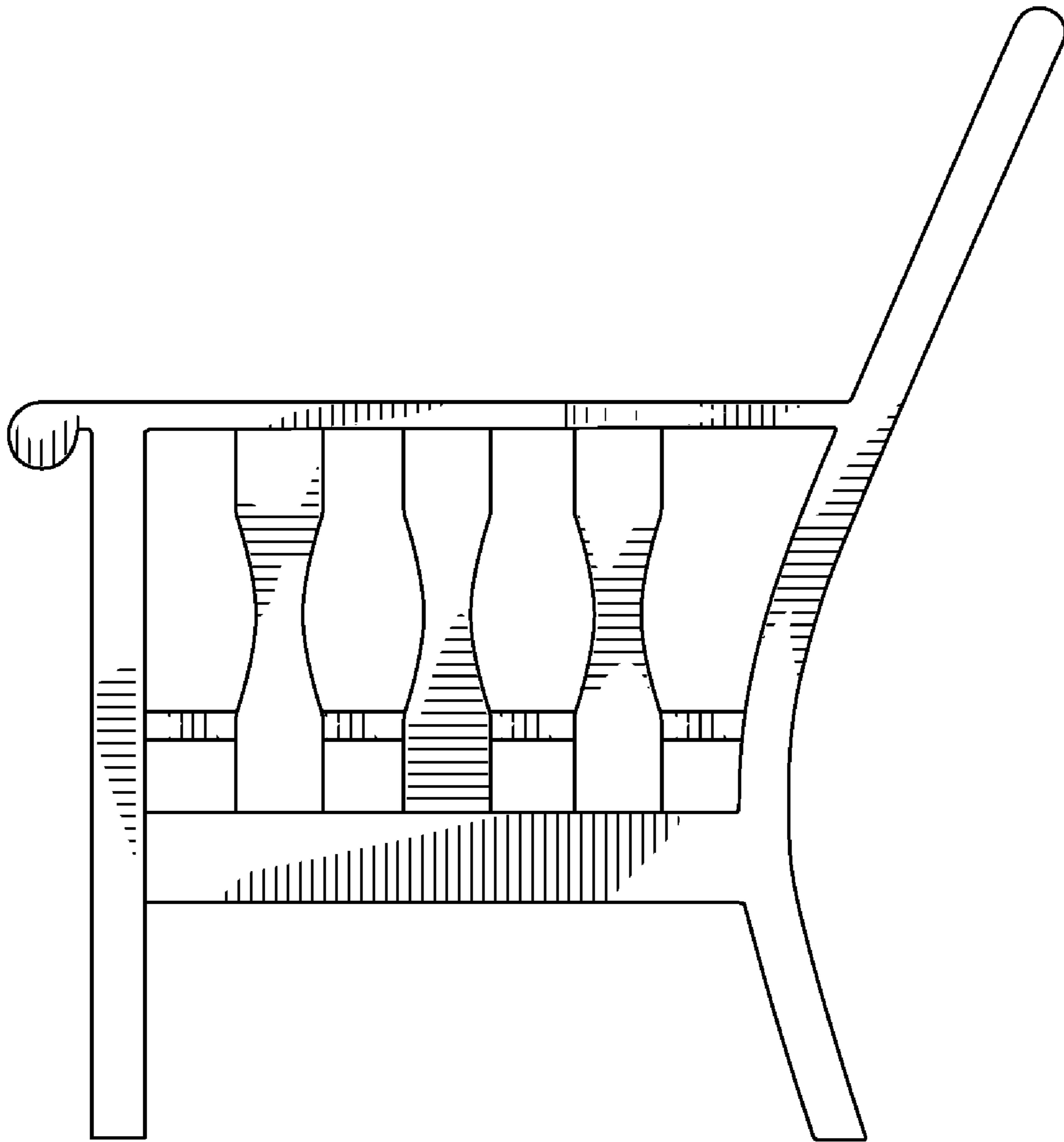




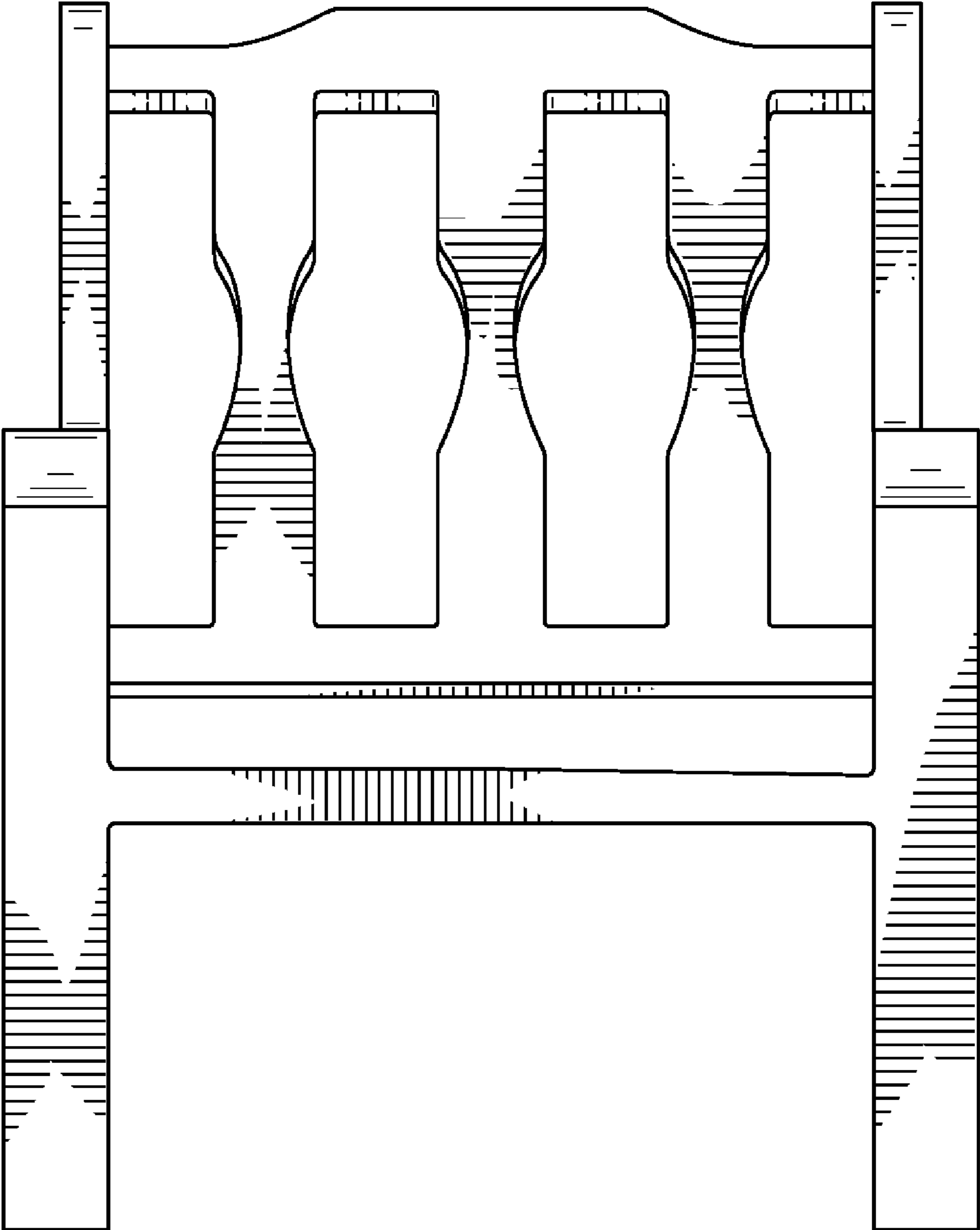
**FIG. 1**



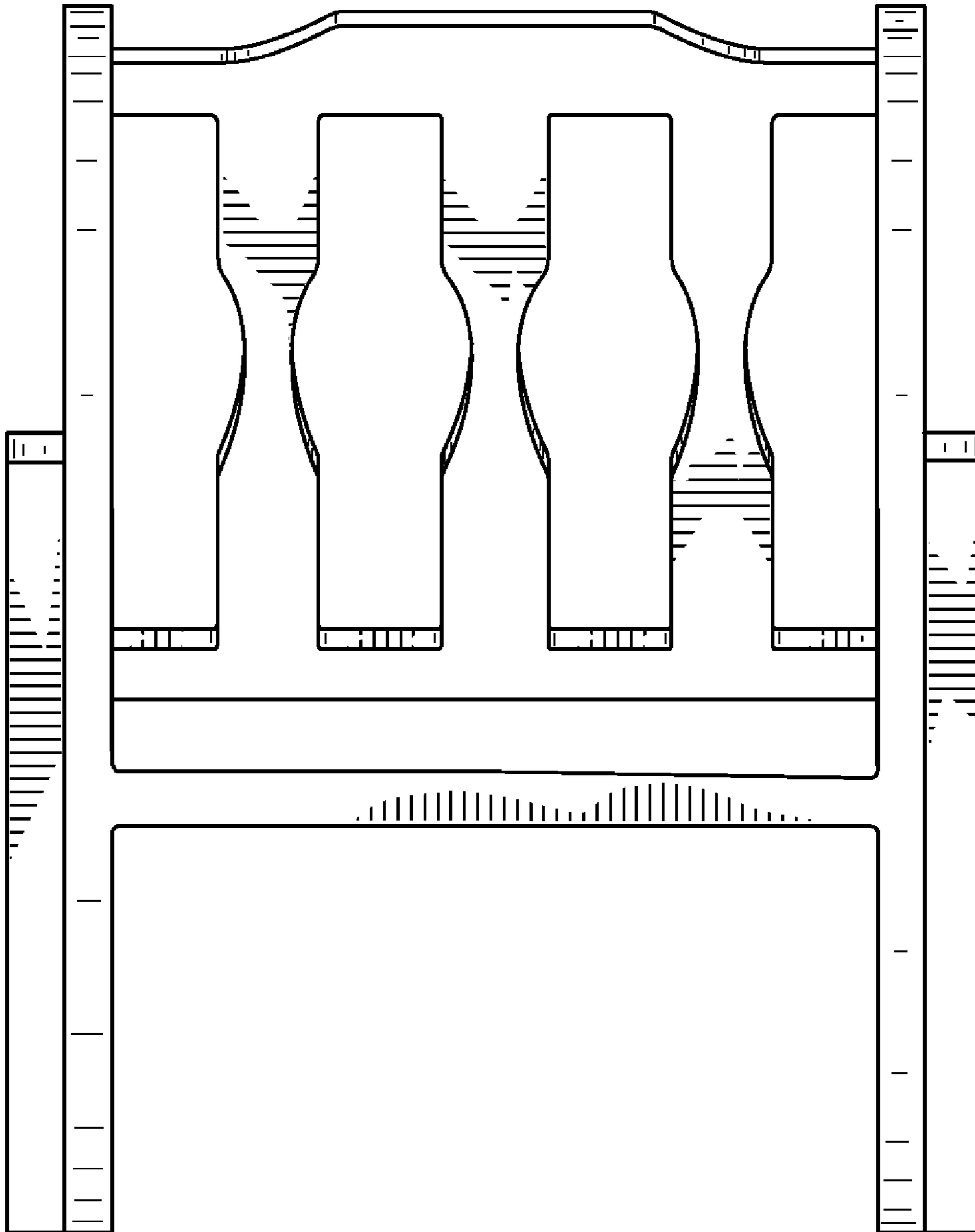
**FIG. 2**



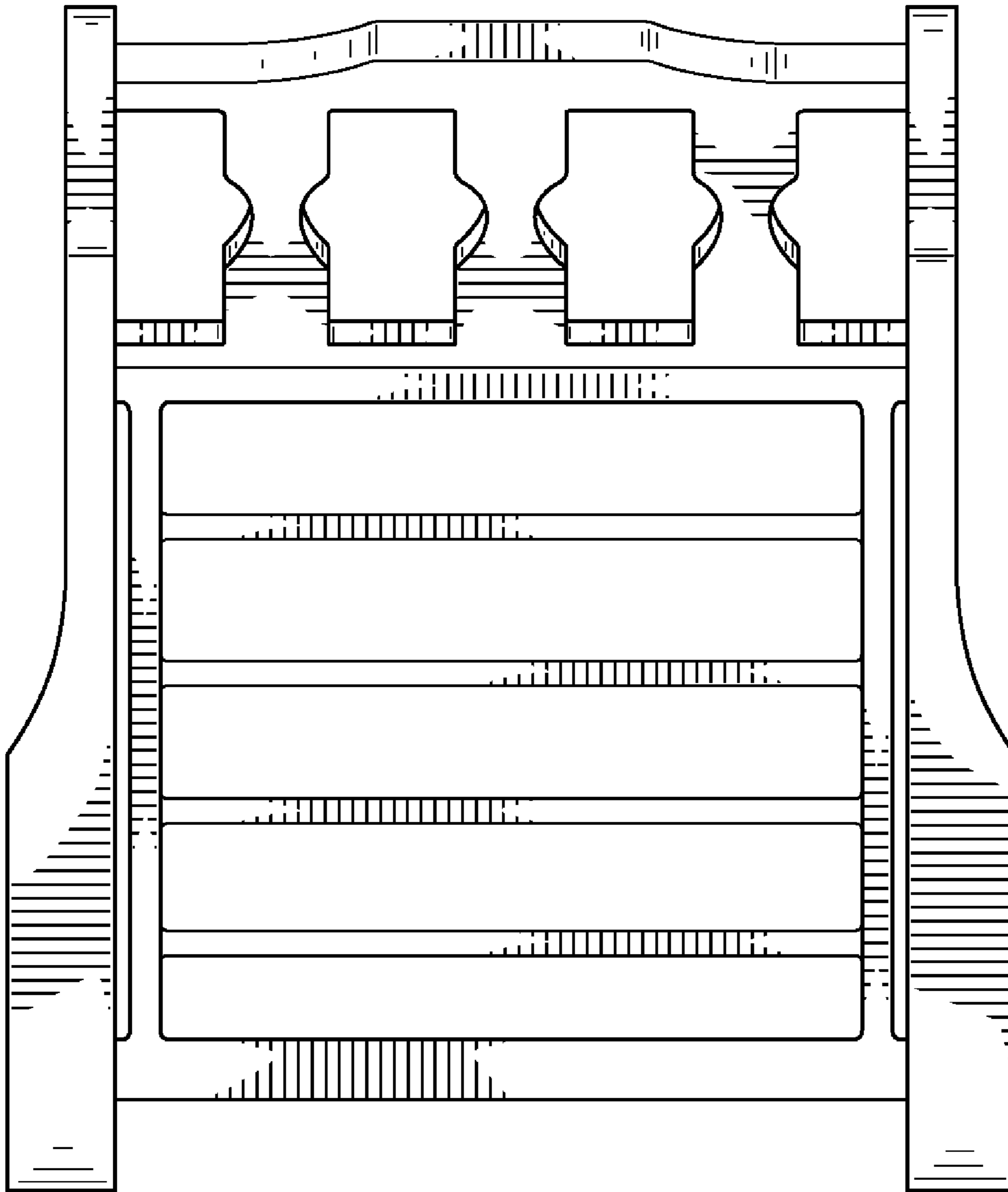
**FIG. 3**



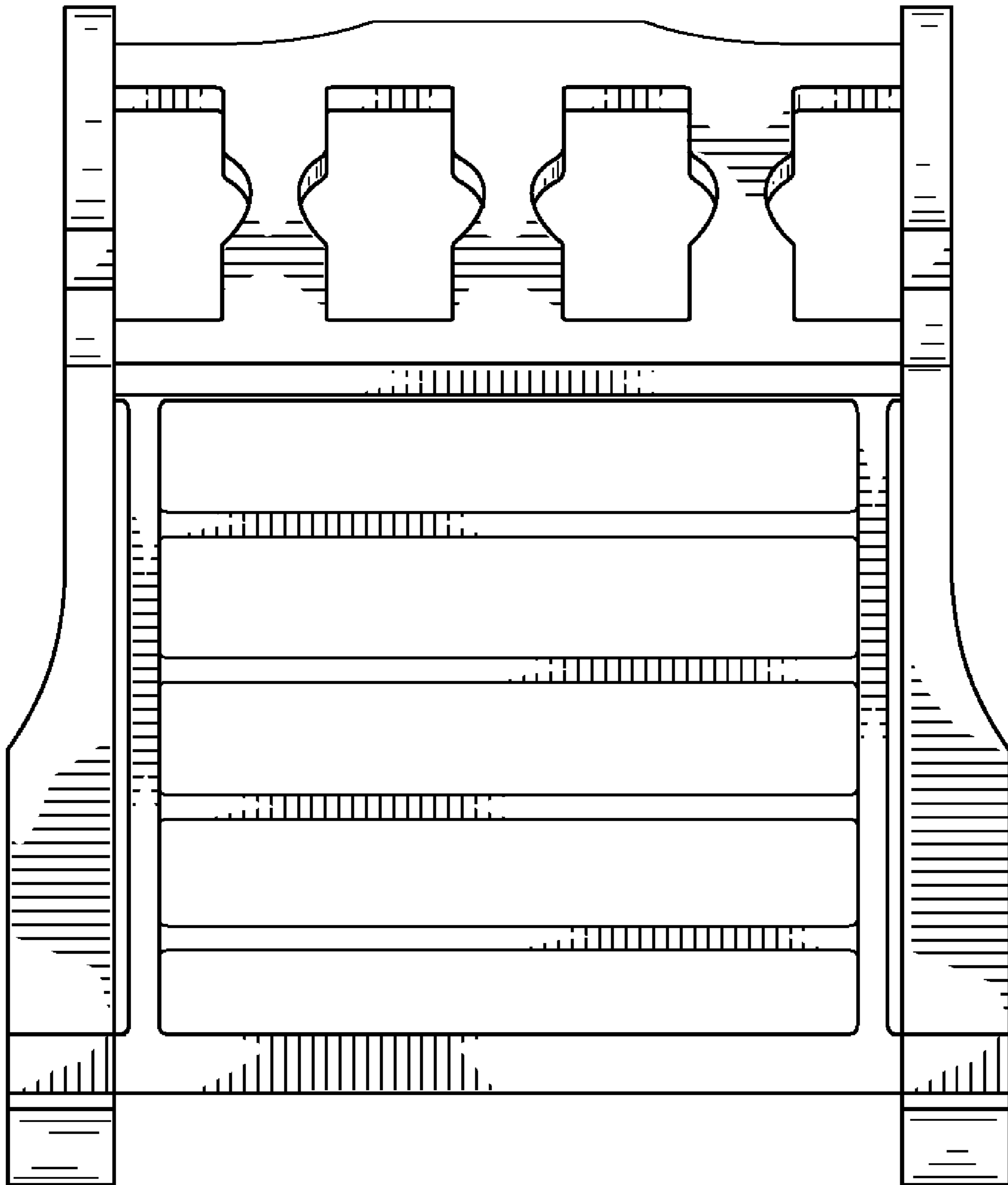
**FIG. 4**



**FIG. 5**

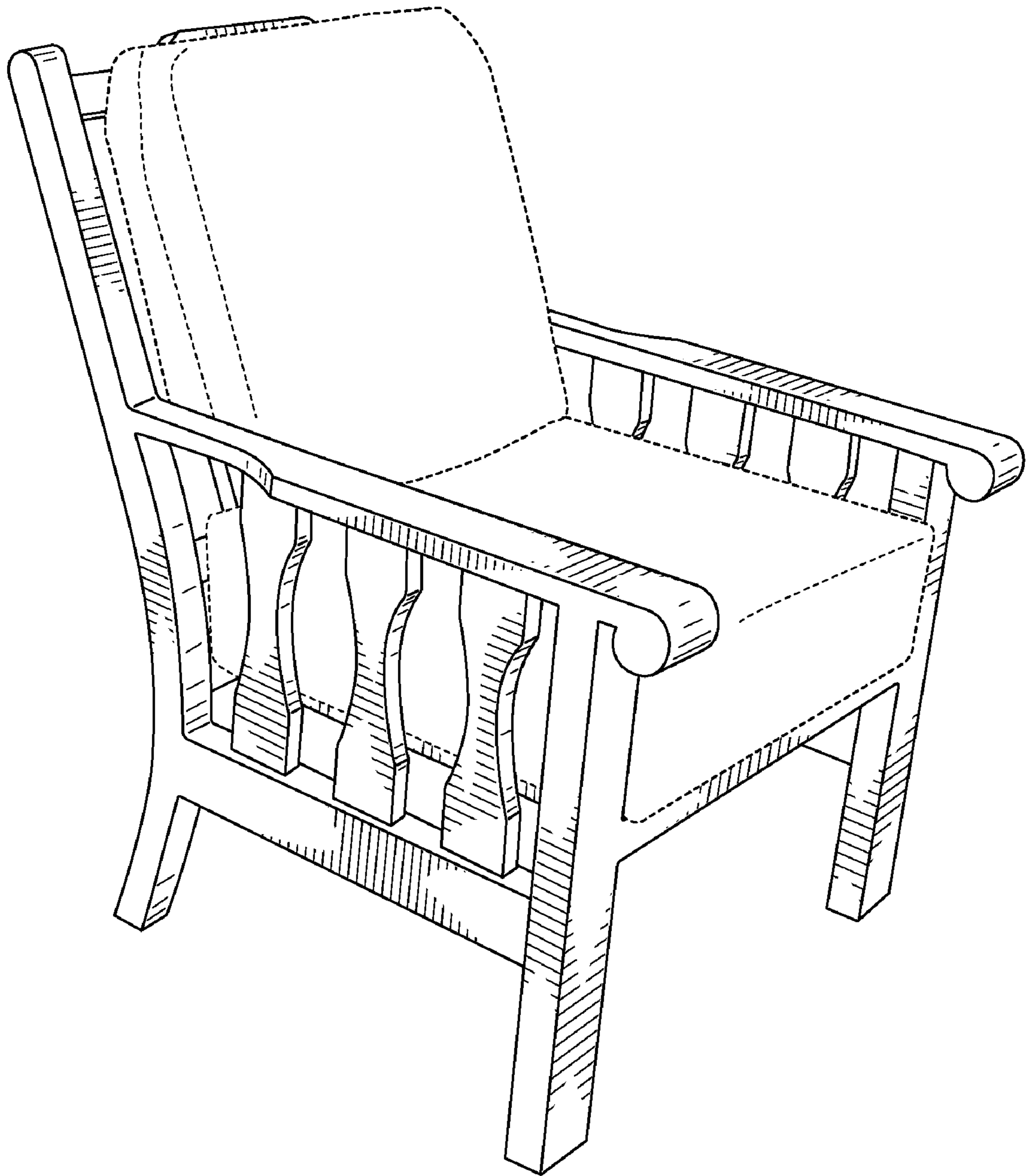


**FIG. 6**



**FIG. 7**





**FIG. 8**