



US00D548469S

(12) **United States Design Patent**
Hoernig

(10) **Patent No.:** **US D548,469 S**

(45) **Date of Patent:** **** Aug. 14, 2007**

(54) **ROBE HOOK**

(75) Inventor: **Victor Hoernig**, Lowell, IN (US)

(73) Assignee: **Masco Corporation of Indiana**,
Indianapolis, IN (US)

(**) Term: **14 Years**

(21) Appl. No.: **29/276,926**

(22) Filed: **Feb. 9, 2007**

(51) **LOC (8) Cl.** **06-08**

(52) **U.S. Cl.** **D6/323**

(58) **Field of Classification Search** D6/315,
D6/317, 320, 323, 325, 328; D8/300, 307,
D8/310, 321, 349, 354, 367, 372, 373; 211/13.1,
211/85.3, 86.01, 183; 223/85-98; 248/200,
248/317, 560

See application file for complete search history.

(56) **References Cited**

U.S. PATENT DOCUMENTS

- D247,146 S * 2/1978 Watt, Jr. D6/323
- D267,137 S * 12/1982 Mayer D8/367
- D343,066 S * 1/1994 Hsu D6/323
- D472,059 S * 3/2003 Hoernig D6/323
- D472,061 S * 3/2003 Hoernig D6/323

- D473,453 S * 4/2003 Goodman et al. D8/367
- D493,093 S * 7/2004 Goodman et al. D8/367
- D496,258 S * 9/2004 Fields D8/367
- D526,132 S * 8/2006 Solowiej D6/323
- D526,494 S * 8/2006 Fields D6/323
- D535,110 S * 1/2007 Hoernig D6/323

* cited by examiner

Primary Examiner—Stella Reid

Assistant Examiner—Shanda C. Hill

(74) *Attorney, Agent, or Firm*—Leon E. Redman; Lloyd D. Doigan

(57) **CLAIM**

The ornamental design for a robe hook, as shown and described.

DESCRIPTION

FIG. 1 is a front perspective view of a robe hook showing my new design;

FIG. 2 is a left side elevational view thereof;

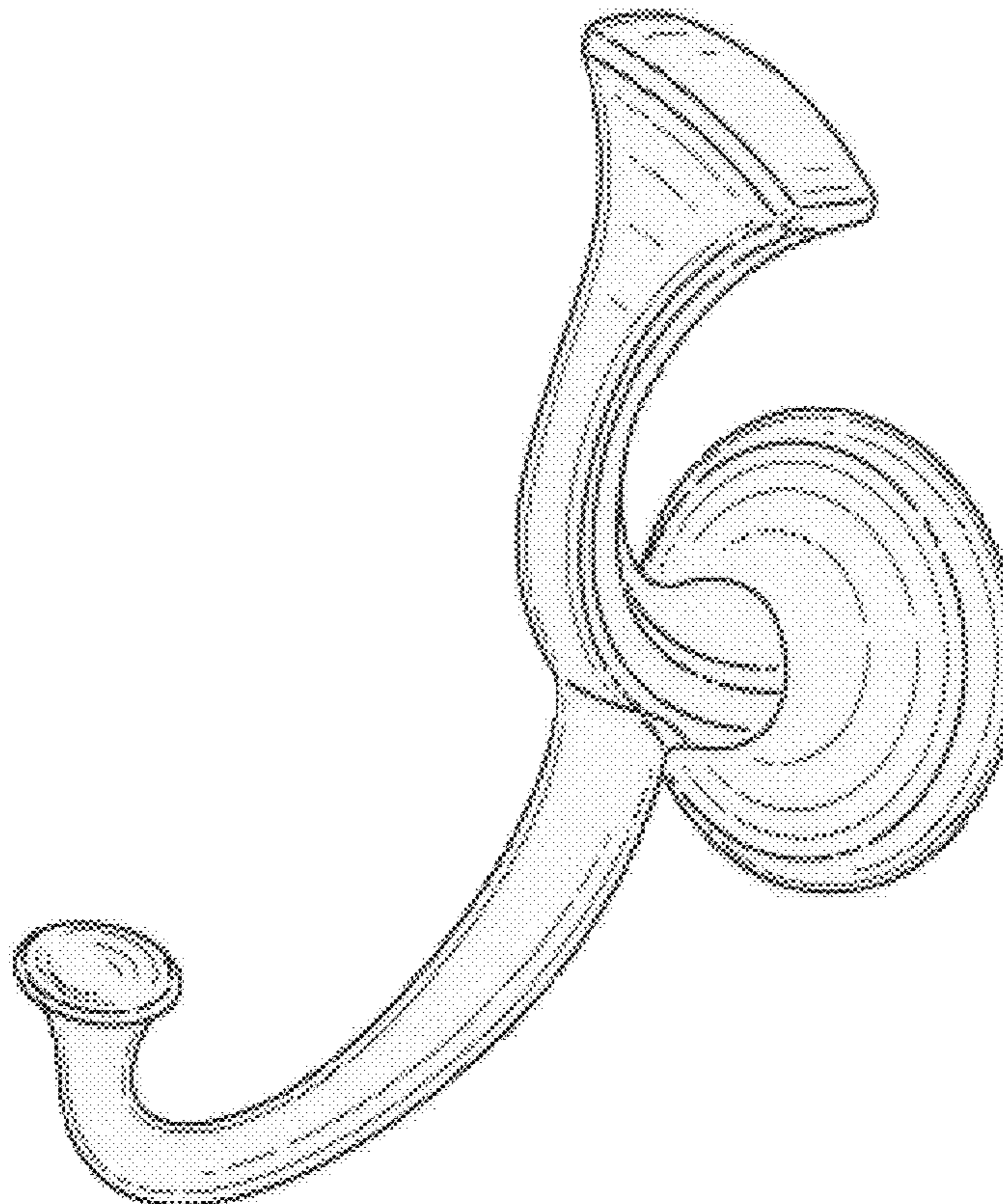
FIG. 3 is a right side elevational view thereof;

FIG. 4 is a bottom plan view thereof;

FIG. 5 is a top plan view thereof; and,

FIG. 6 is a front elevational view thereof.

1 Claim, 6 Drawing Sheets



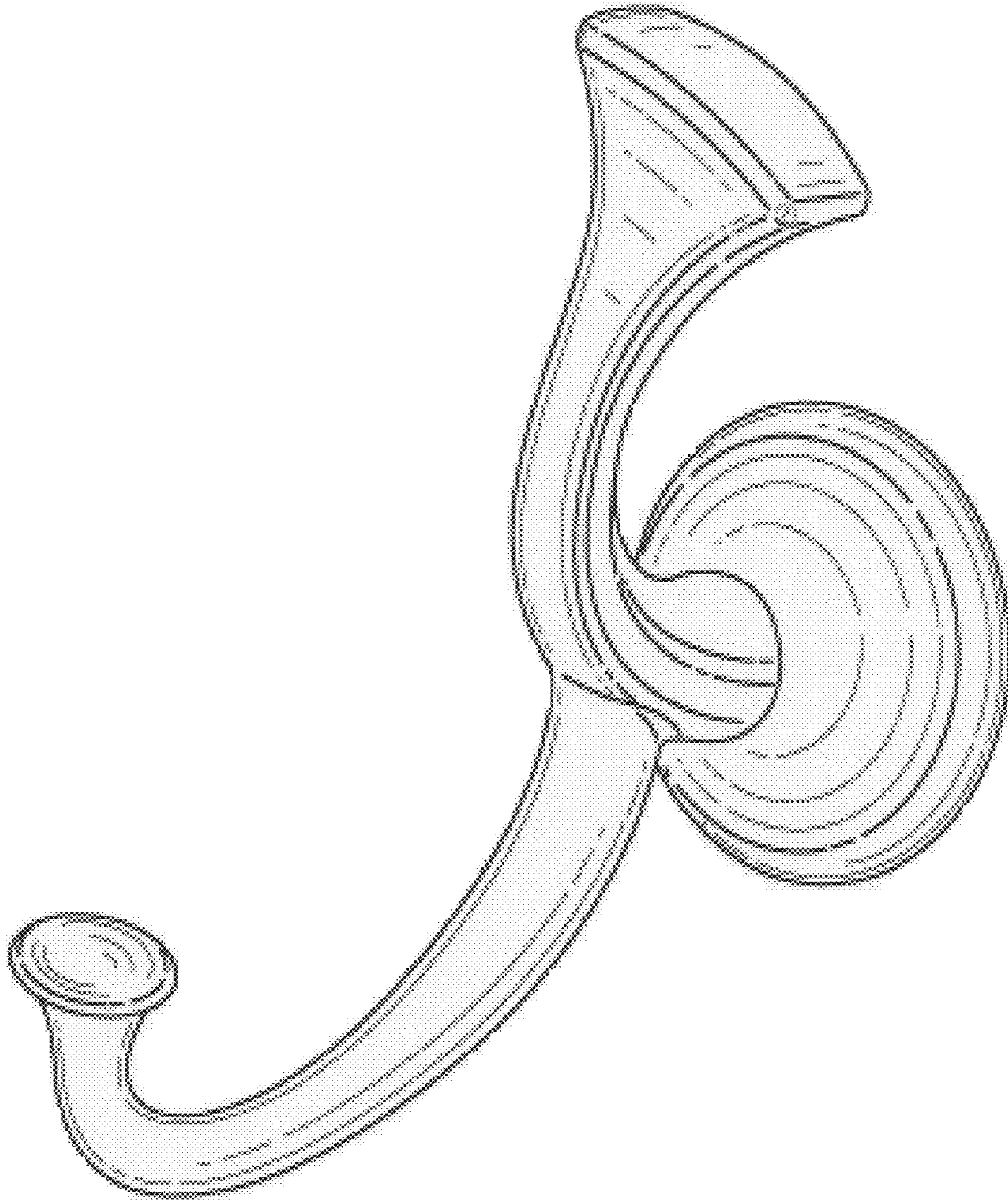


FIG. 1

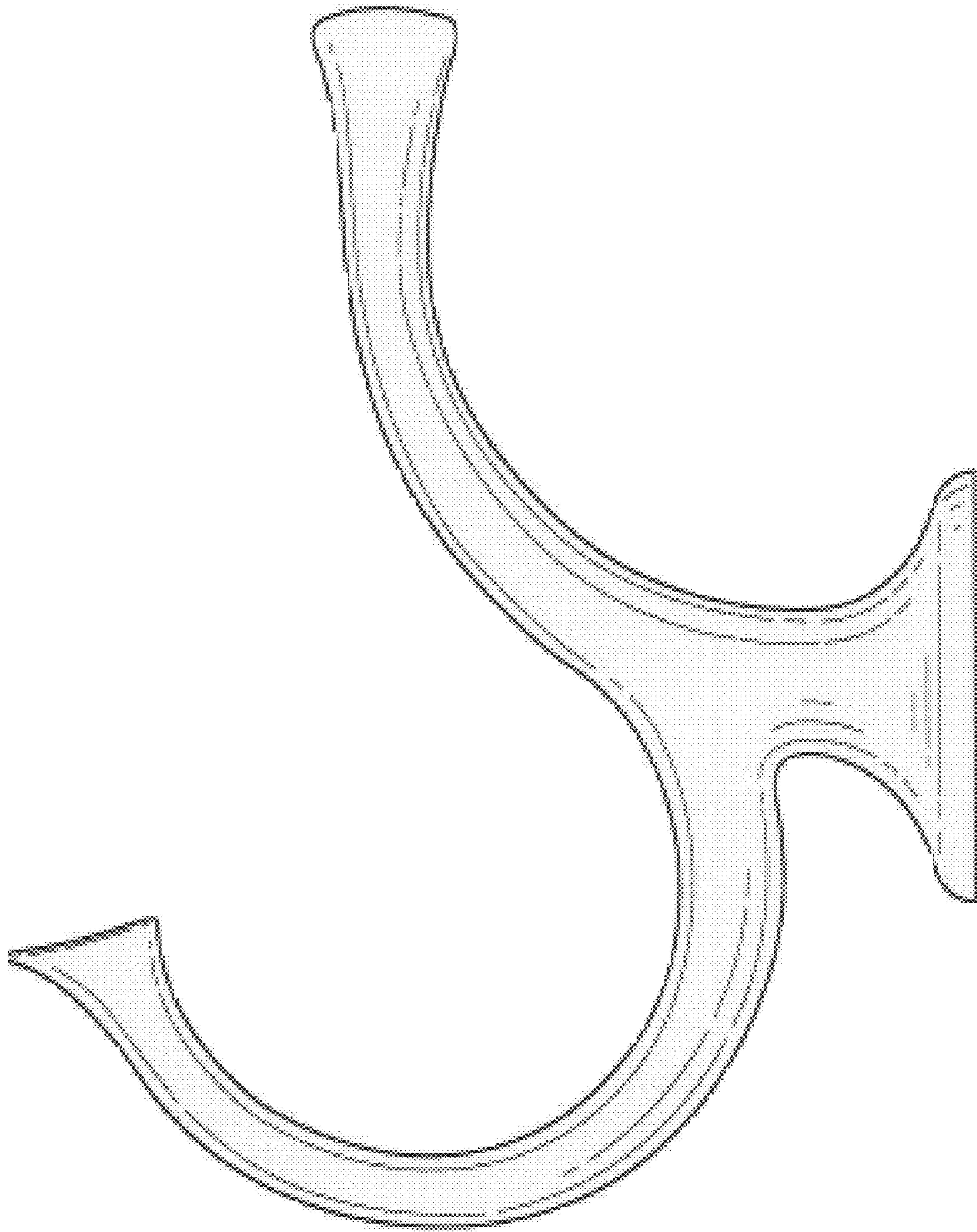


FIG. 2

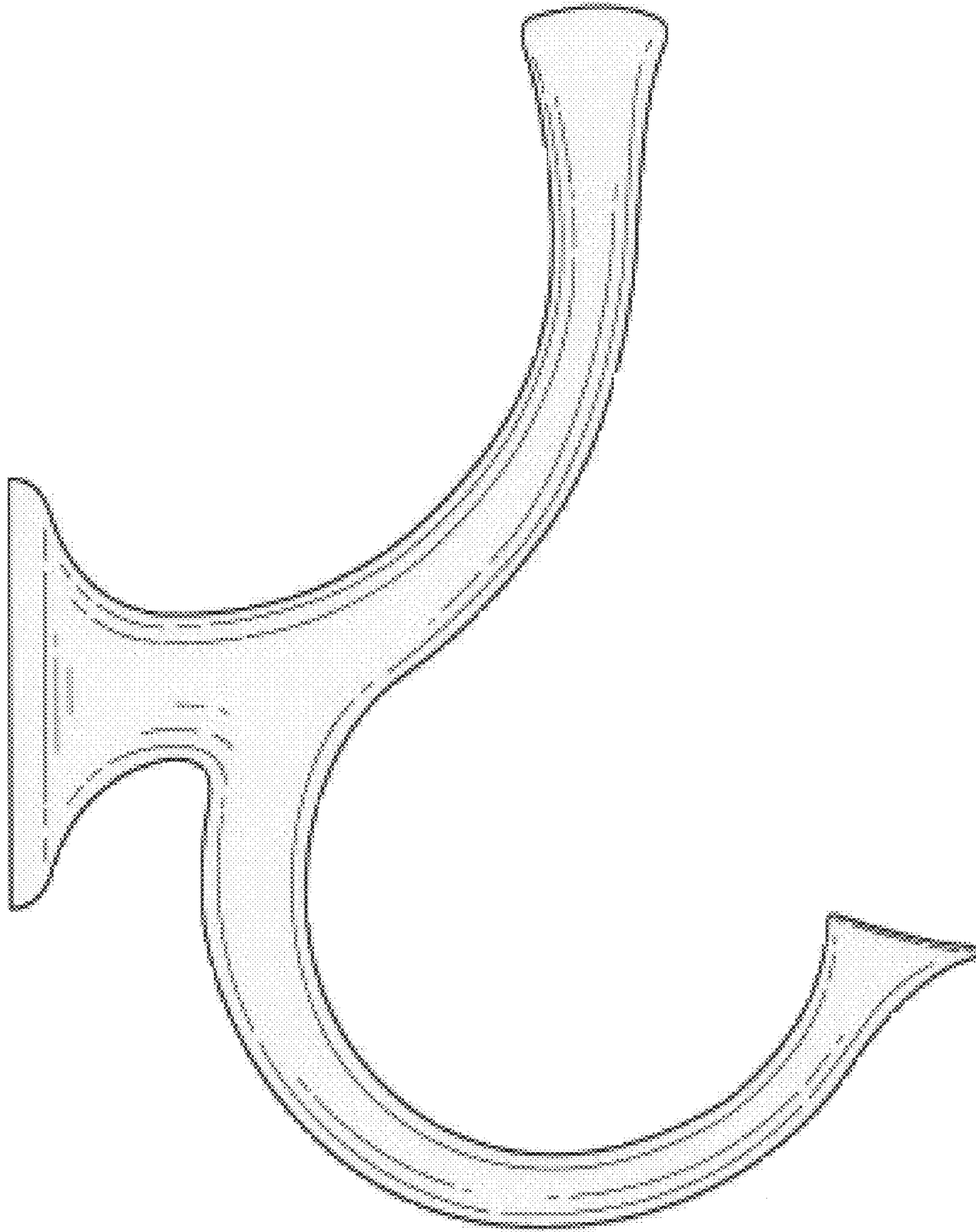


FIG. 3

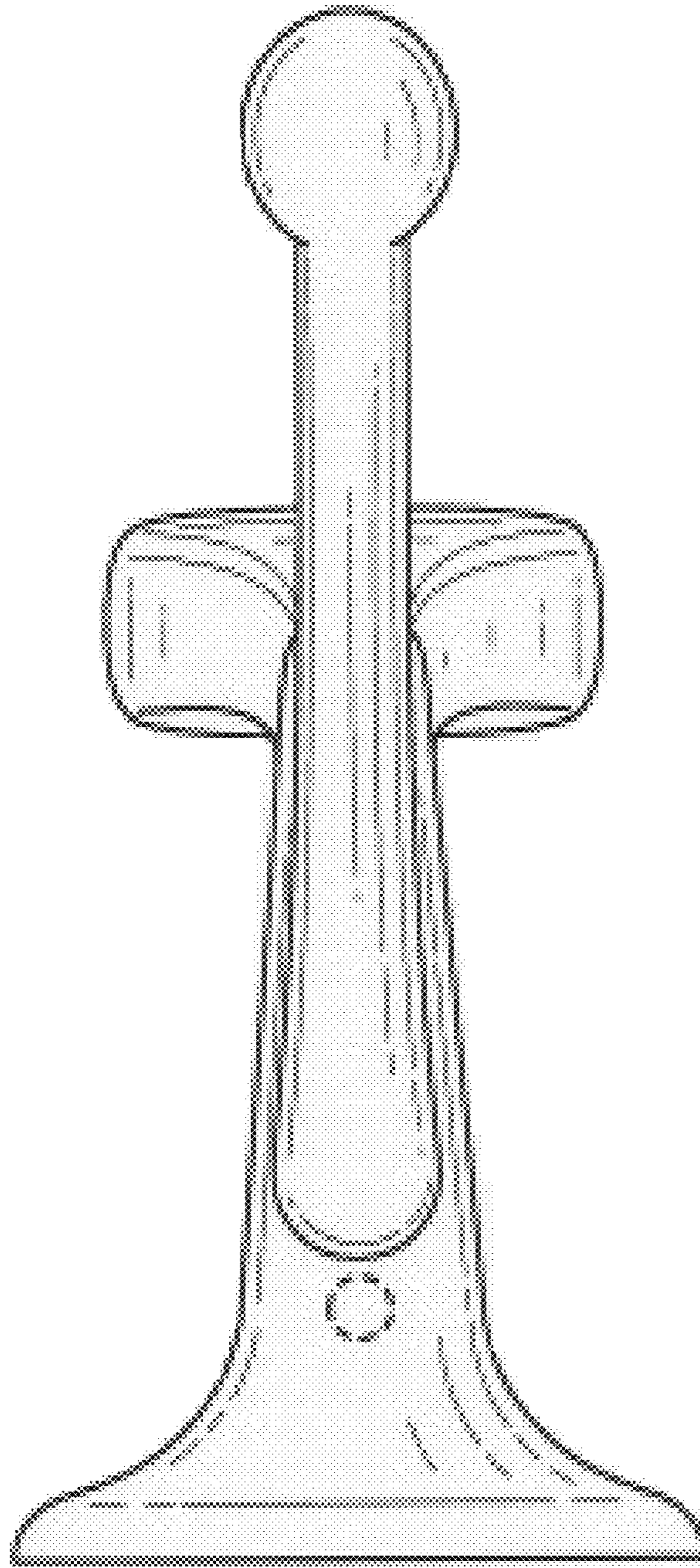


FIG. 4

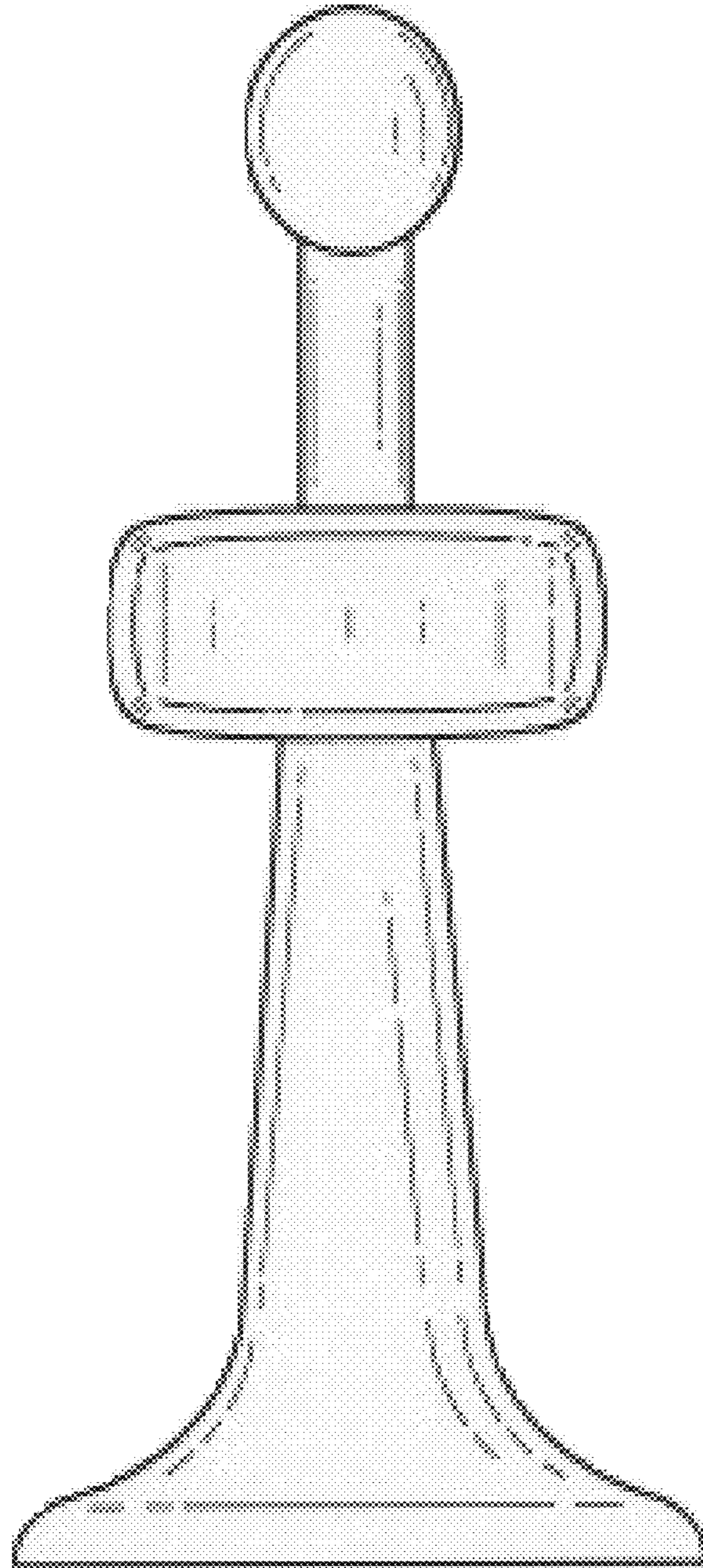


FIG. 5

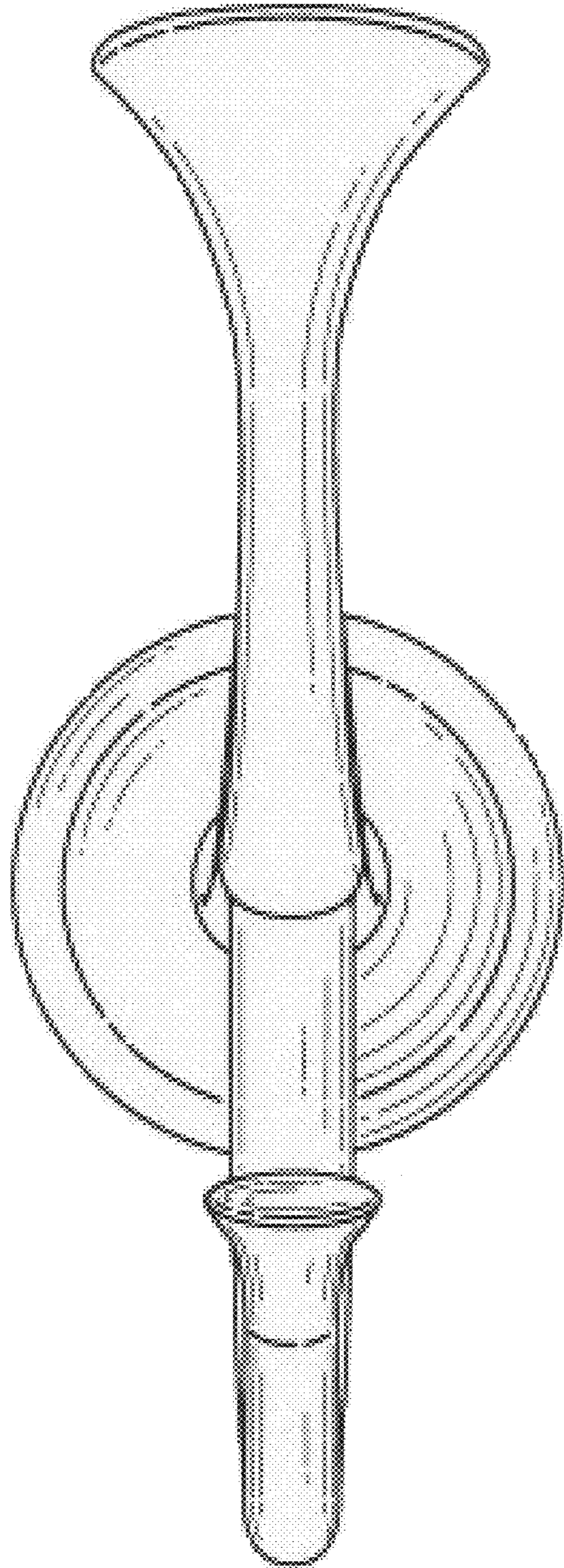


FIG. 6