

US00D548465S

(12) **United States Design Patent**  
**Houssian**

(10) **Patent No.:** **US D548,465 S**

(45) **Date of Patent:** **\*\* Aug. 14, 2007**

(54) **MATT BOARD CORNER SAMPLE**

(75) Inventor: **Vazgen Houssian**, Union City, NJ (US)

(73) Assignee: **Nielsen & Bainbridge LLC**, Paramus, NJ (US)

(\*\*) Term: **14 Years**

(21) Appl. No.: **29/208,990**

(22) Filed: **Jul. 7, 2004**

(51) **LOC (8) Cl.** ..... **06-07**

(52) **U.S. Cl.** ..... **D6/300**

(58) **Field of Classification Search** ..... D6/300-314;  
40/778, 537, 768, 159.1, 152.1; D19/32,  
D19/33; 248/467, 216.1, 475.1, 345, 488,  
248/546; D25/60, 102; D21/437; 473/590  
See application file for complete search history.

(56) **References Cited**

**U.S. PATENT DOCUMENTS**

1,351,560	A *	8/1920	Engel	.....	40/778
1,407,177	A *	2/1922	Stone	.....	40/757
1,826,905	A *	10/1931	Tantlinger	.....	473/590
2,540,907	A *	2/1951	Paschal	.....	40/744
2,824,398	A *	2/1958	Storm	.....	40/741
3,256,630	A *	6/1966	Spector	.....	40/790

3,346,979	A *	10/1967	Milos	.....	40/778
D360,765	S *	8/1995	Te'Kannon	.....	D6/300
D361,846	S *	8/1995	Te'Kannon	.....	D25/60
D422,321	S *	4/2000	Ben-Hador	.....	D21/437
6,370,805	B2 *	4/2002	Thompson	.....	40/778
6,470,637	B2 *	10/2002	Gratz	.....	52/287.1

\* cited by examiner

*Primary Examiner*—Caron D. Veynar

*Assistant Examiner*—Sydney Buffalow

(74) *Attorney, Agent, or Firm*—Darby & Darby

(57) **CLAIM**

The ornamental design for a matt board corner sample, as shown and described.

**DESCRIPTION**

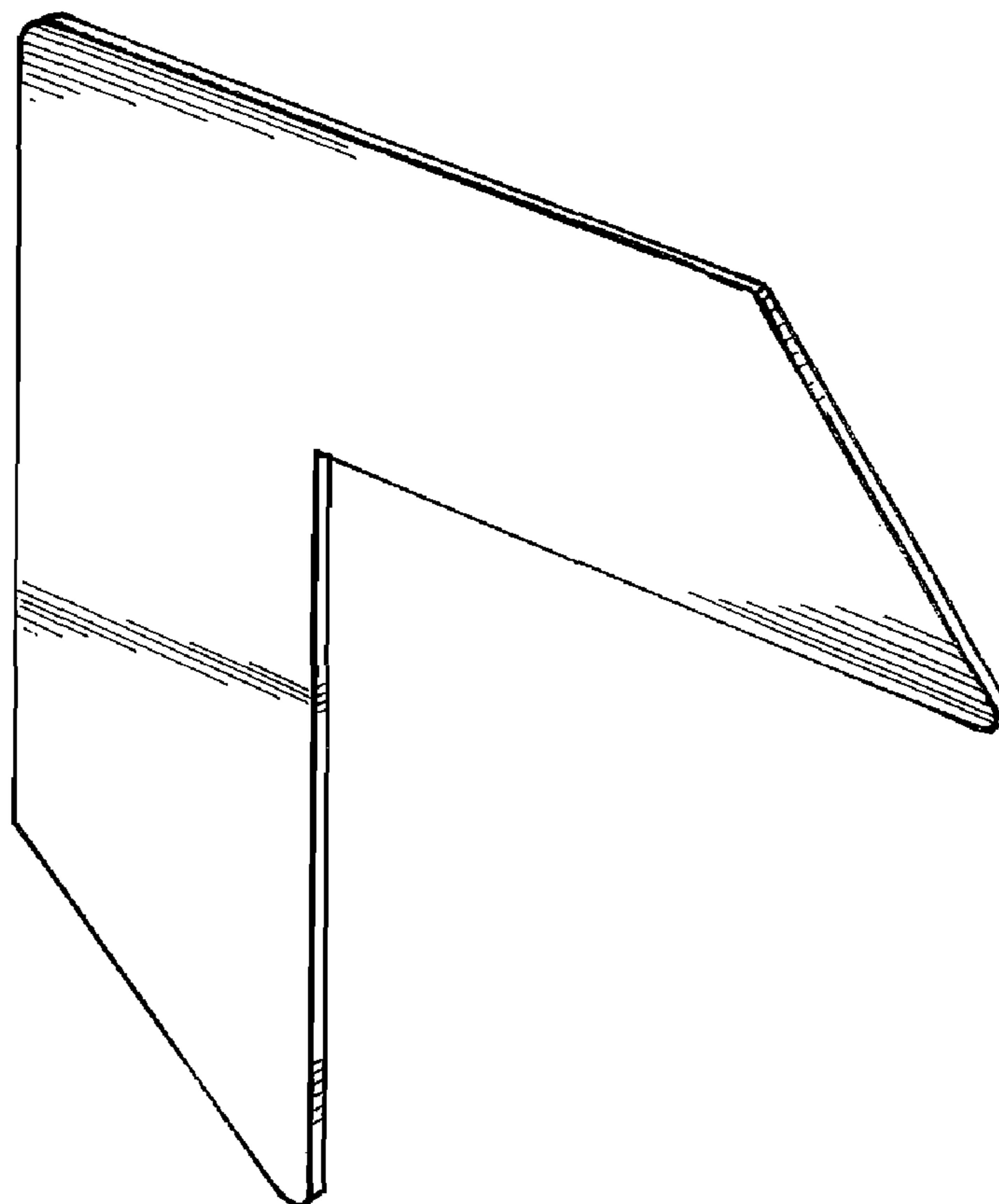
FIG. 1 is a top left perspective of the matt board corner sample;

FIG. 2 is a front elevation, the bottom plan view being identical, of the matt board corner sample;

FIG. 3 is a rear elevation, the top plan view being identical, of the matt board corner sample; and,

FIG. 4 is a right side elevation, the left side being a mirror image thereof, of the matt board corner sample.

**1 Claim, 1 Drawing Sheet**



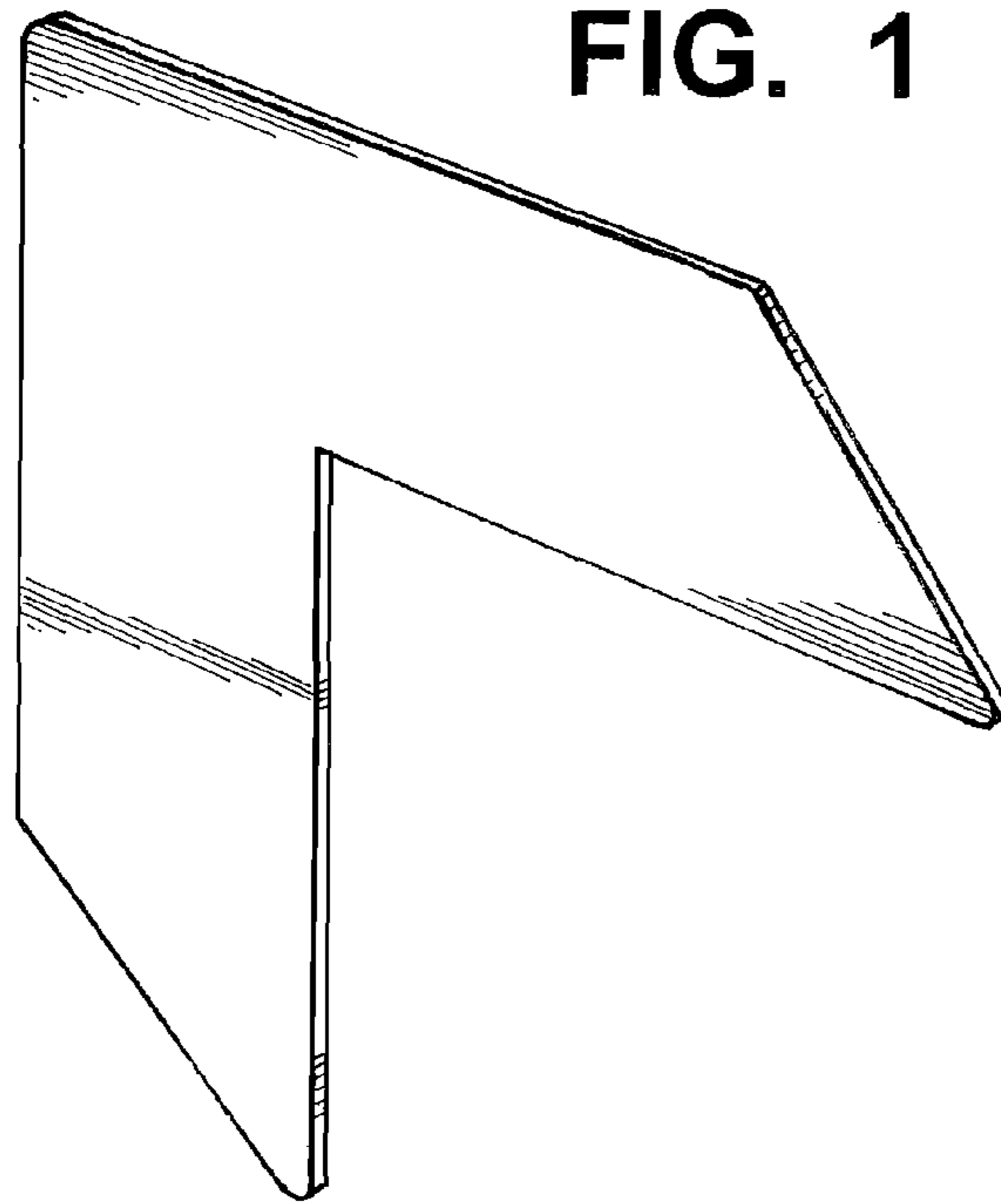


FIG. 1



FIG. 3

FIG. 2



FIG. 4

