



US00D548464S

(12) **United States Design Patent** (10) **Patent No.:** **US D548,464 S**  
**Lin** (45) **Date of Patent:** **\*\* Aug. 14, 2007**

(54) **PORTABLE TOOL HOLDER**

(76) Inventor: **Tsung-Ming Lin**, No. 206, Chuan-Shui Lane, Sec. 1, Chung-Hsin Rd., Tali City, Taichung Hsien (TW)

(\*\*) Term: **14 Years**

(21) Appl. No.: **29/253,645**

(22) Filed: **Feb. 10, 2006**

(51) **LOC (8) Cl.** ..... **03-01**

(52) **U.S. Cl.** ..... **D3/315**

(58) **Field of Classification Search** ..... D3/315,  
D3/316, 321, 228, 229, 303, 309; D6/468;  
81/117.4, 490; 206/209, 349, 362, 372, 377;  
224/148.7, 230, 677, 679; D9/434, 455,  
D9/753

See application file for complete search history.

(56) **References Cited**

**U.S. PATENT DOCUMENTS**

5,592,859	A *	1/1997	Johnson et al.	81/177.4
5,692,656	A *	12/1997	Dembicks	206/377
6,126,004	A *	10/2000	Ling	206/377
D436,436	S *	1/2001	Lin	D3/228
D461,311	S *	8/2002	Gharib	D3/315
6,679,391	B1 *	1/2004	Huang	206/372

\* cited by examiner

*Primary Examiner*—Louis S. Zarfas

*Assistant Examiner*—Monica A. Weingart

(74) *Attorney, Agent, or Firm*—HersHKovitz & Associates;  
Abe HersHKovitz

(57) **CLAIM**

The ornamental design for a portable tool holder, as shown and described.

**DESCRIPTION**

FIG. 1 is a perspective view of a portable tool holder, showing my new design;

FIG. 2 is a front view thereof;

FIG. 3 is a rear view thereof;

FIG. 4 is a left side view thereof;

FIG. 5 is a right side view thereof;

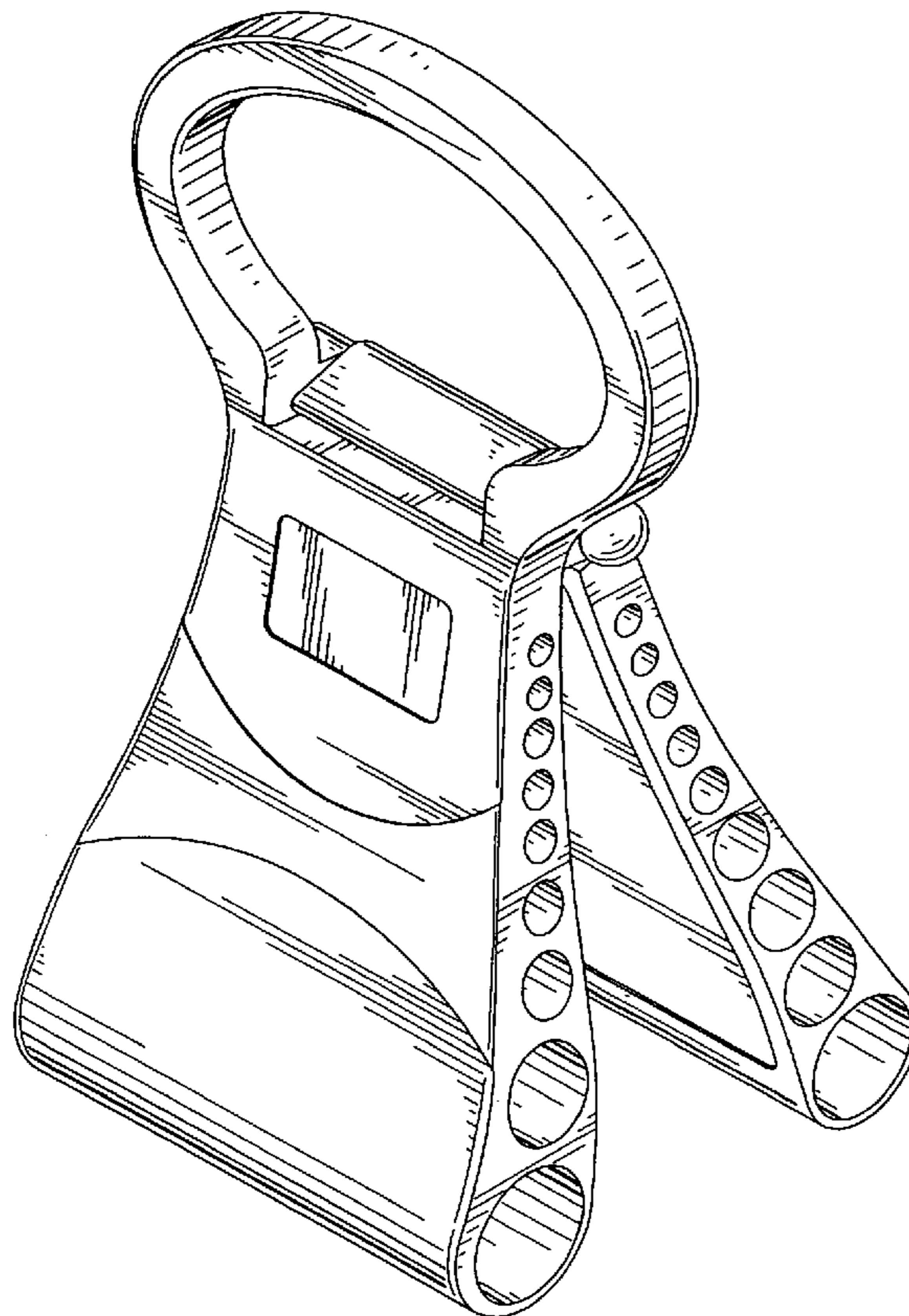
FIG. 6 is a top view thereof;

FIG. 7 is a bottom view thereof; and,

FIG. 8 is an alternate perspective view thereof.

The broken line showing, in FIG. 8, is included for the purpose of illustrating environment and forms no part of the claimed design.

**1 Claim, 7 Drawing Sheets**



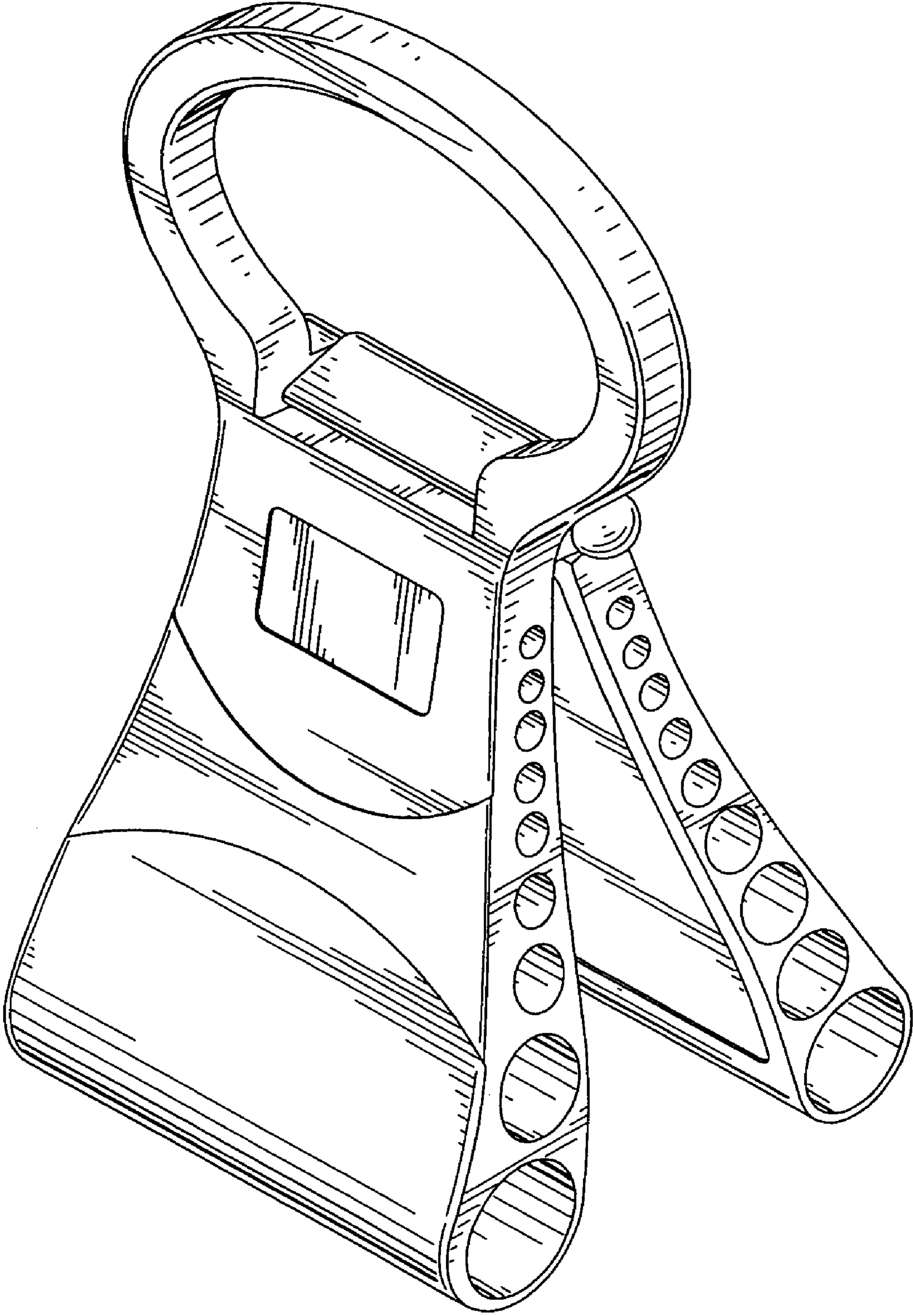


FIG. 1

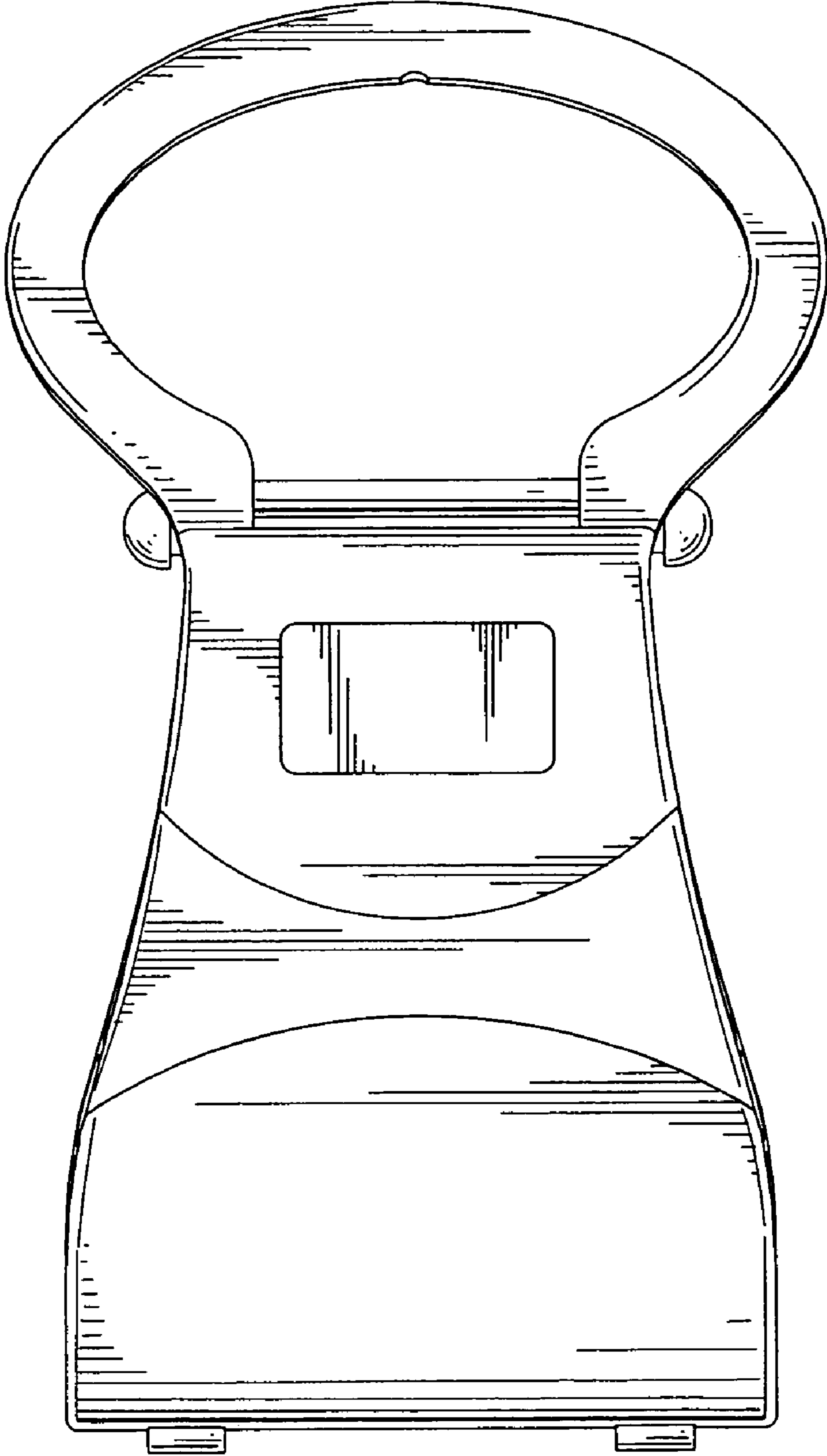


FIG. 2

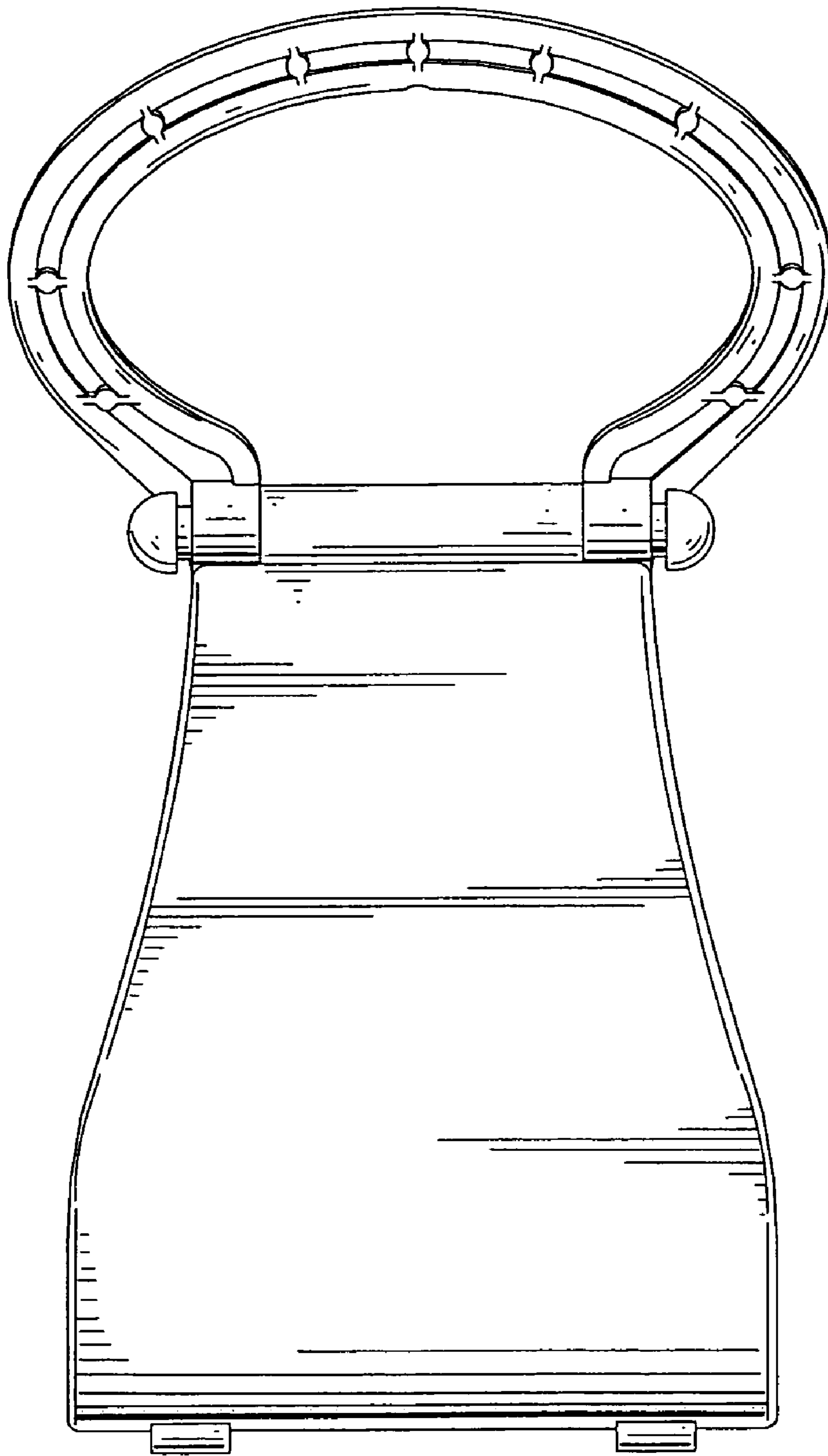


FIG. 3

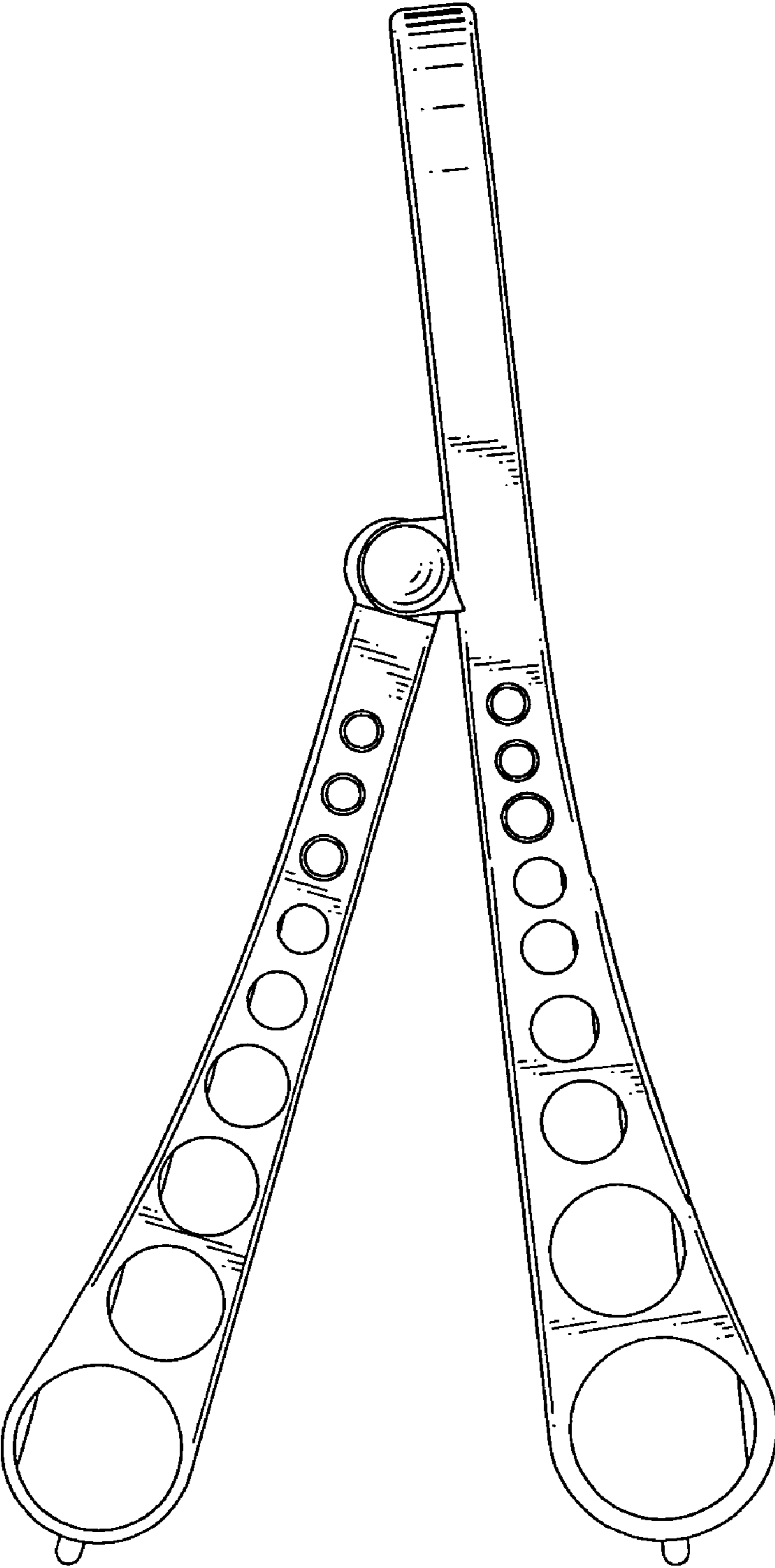


FIG. 4



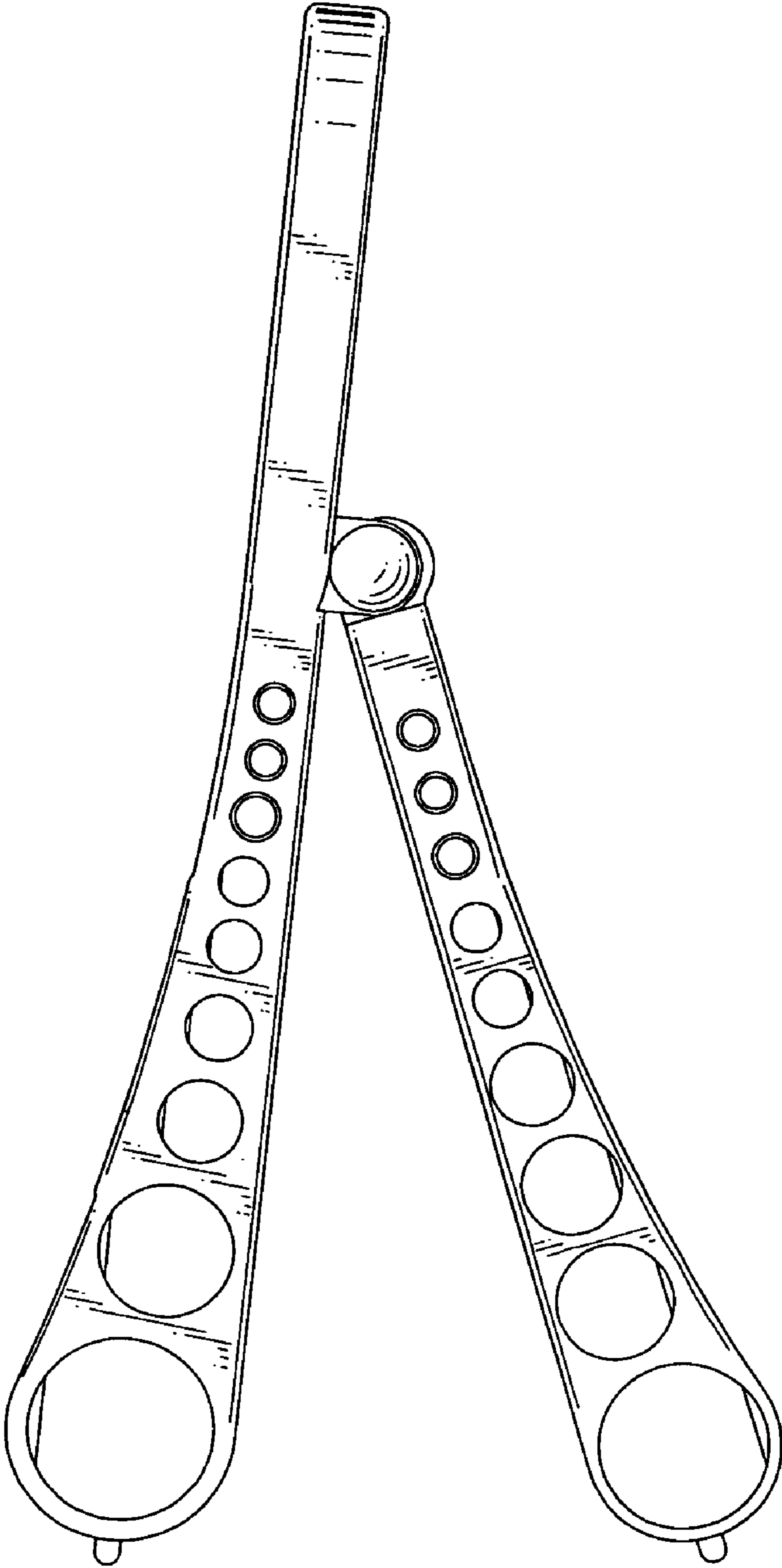


FIG. 5

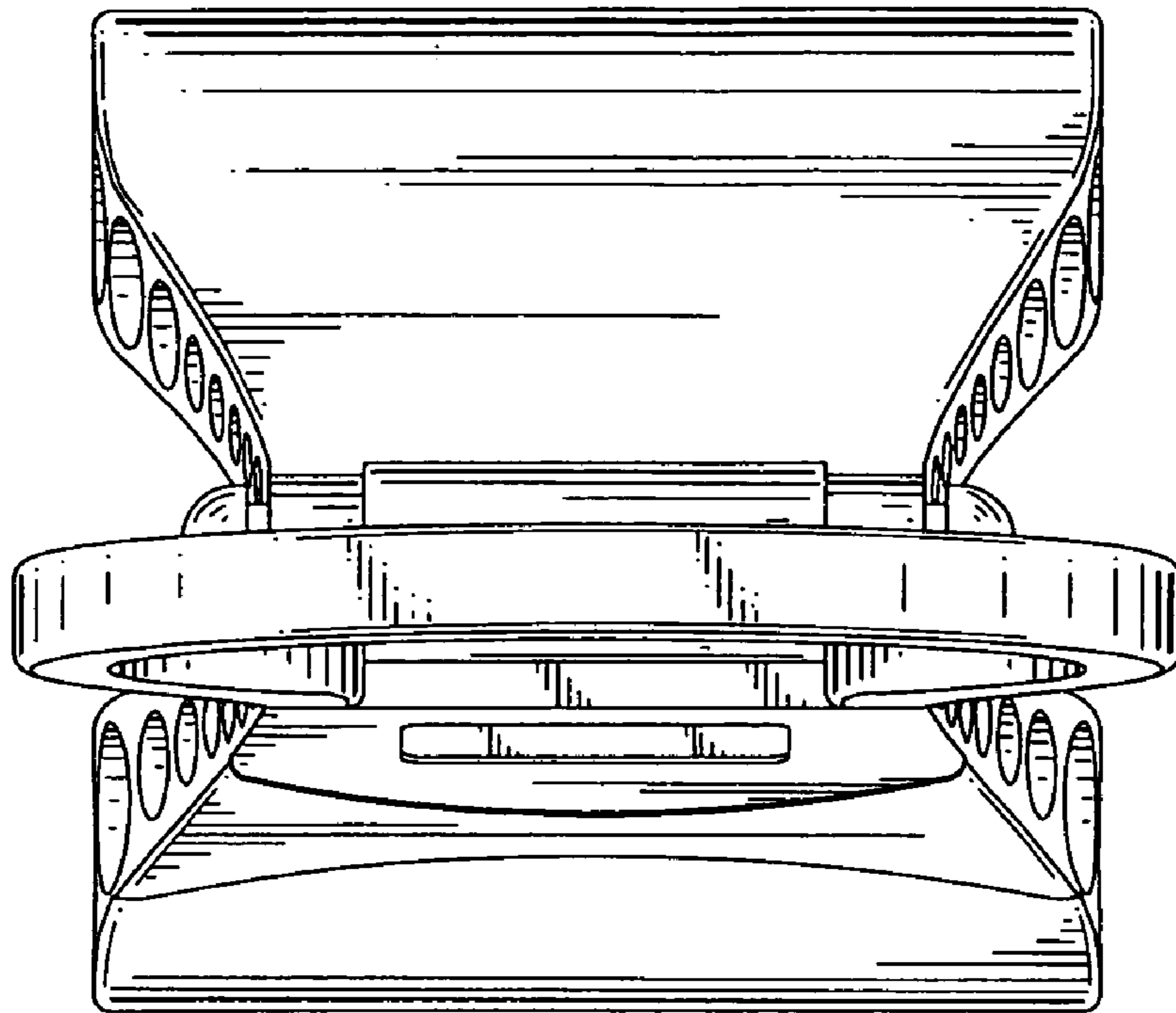


FIG. 6

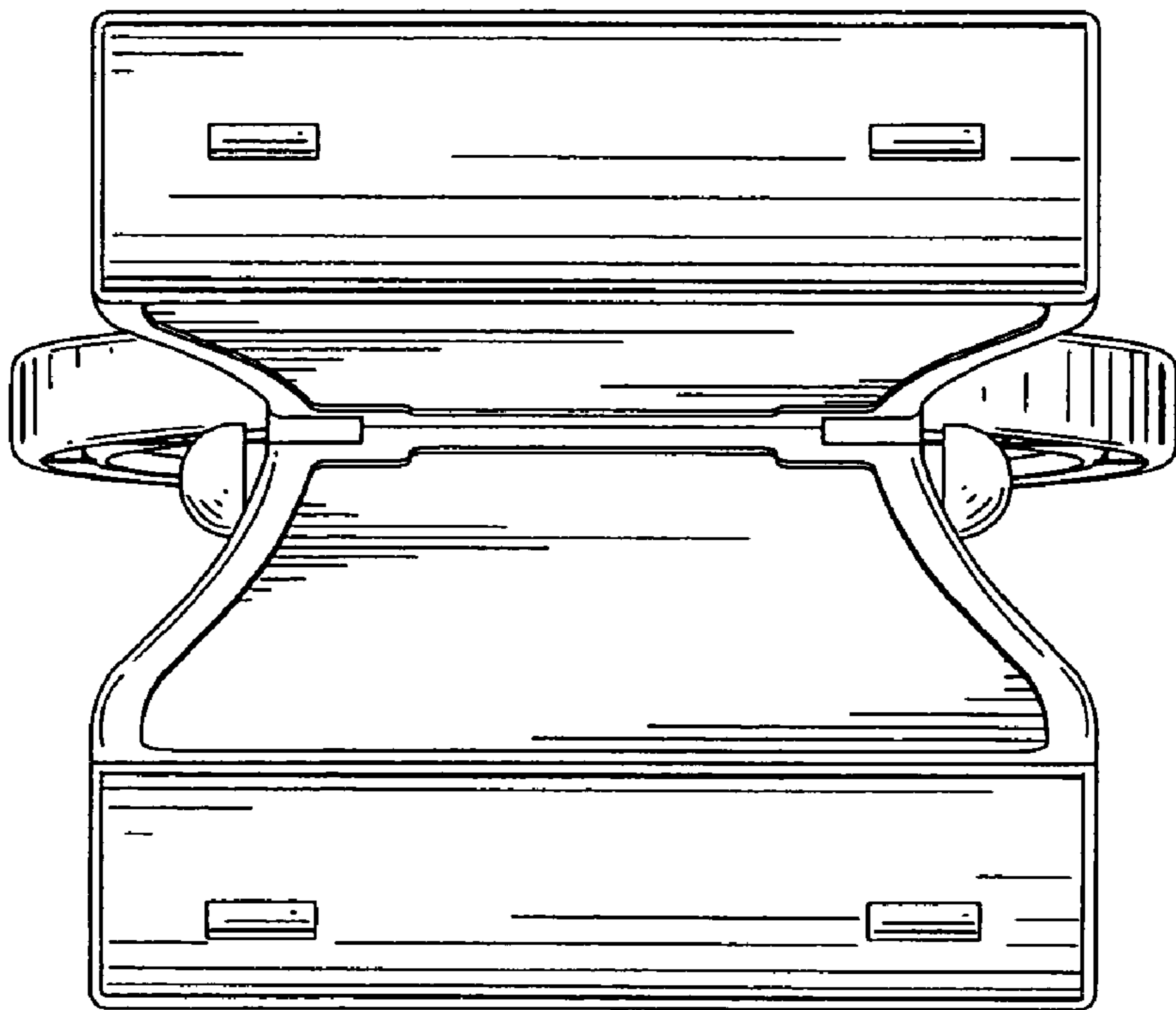


FIG. 7

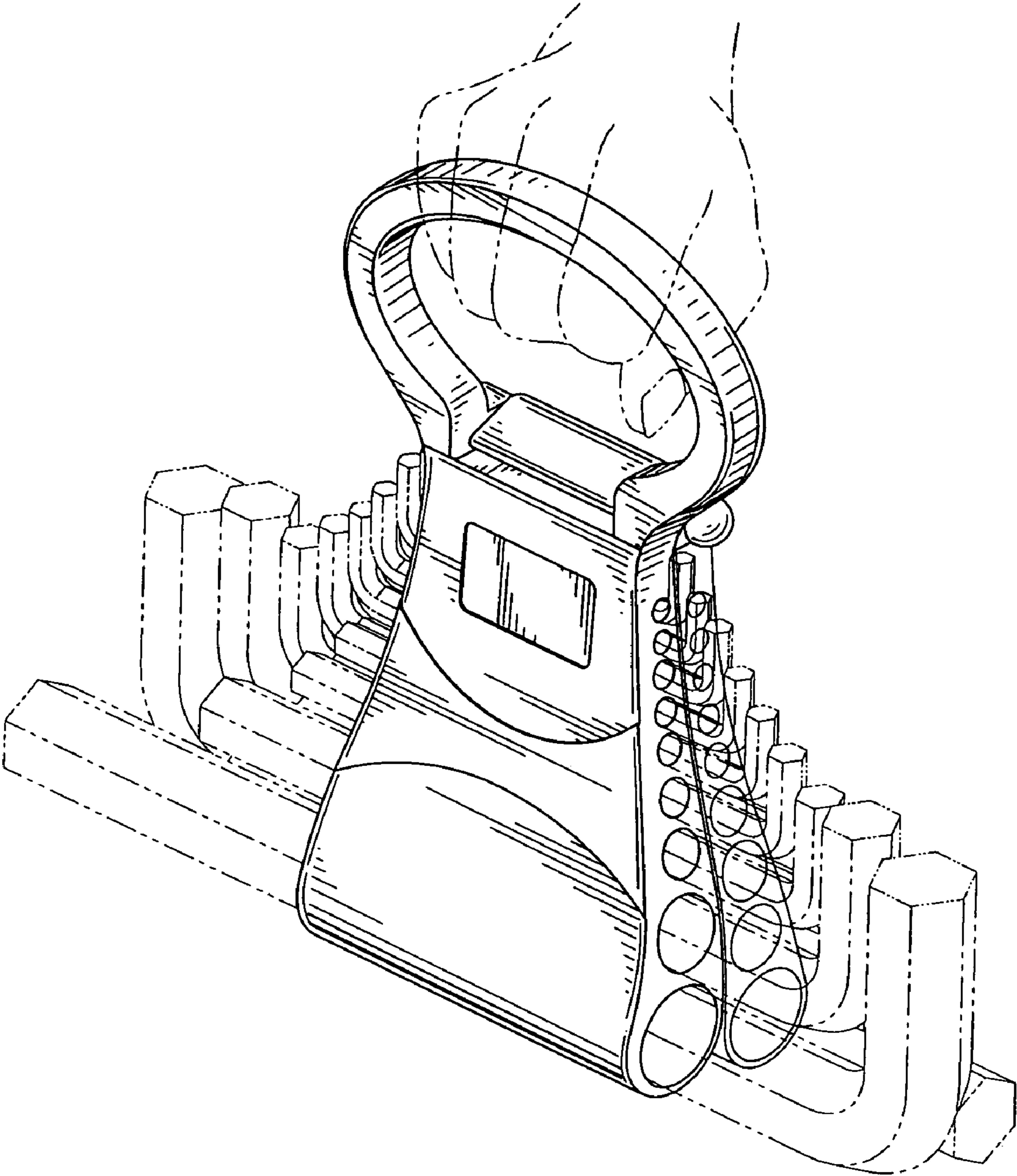


FIG. 8