

US00D548463S

(12) **United States Design Patent** (10) **Patent No.:** **US D548,463 S**
Gossett (45) **Date of Patent:** **** Aug. 14, 2007**

(54) **COMPUTER CARRIER**

(76) Inventor: **Al Gossett**, 1875 Covington Pike,
Memphis, TN (US) 38128

(**) Term: **14 Years**

(21) Appl. No.: **29/253,623**

(22) Filed: **Feb. 9, 2006**

(51) **LOC (8) Cl.** **03-01**

(52) **U.S. Cl.** **D3/287; D3/289; D3/290;**
D3/902

(58) **Field of Classification Search** **D3/233,**
D3/254, 267-268, 273-274, 276, 283, 287,
D3/289-290, 293, 299, 900, 902; 190/100,
190/102, 108-109, 111-115, 119, 900, 903;
206/320, 316.1

See application file for complete search history.

(56) **References Cited**

U.S. PATENT DOCUMENTS

D270,306 S *	8/1983	Stark	D3/287
D326,772 S *	6/1992	Kennedy	D3/233
D345,651 S *	4/1994	Copp	D3/285
D360,978 S *	8/1995	Willard et al.	D3/301
D380,612 S *	7/1997	Kelley et al.	D3/289
D419,763 S *	2/2000	Wiebe	D3/233
D428,700 S *	8/2000	Hillman	D3/287
D429,885 S *	8/2000	Hillman	D3/283
D432,305 S *	10/2000	Hillman	D3/283
D436,443 S *	1/2001	Hillman	D3/283
6,206,567 B1 *	3/2001	Cyr	383/29
D443,417 S *	6/2001	Hillman	D3/287
D459,075 S *	6/2002	Pukall et al.	D3/289
D468,101 S *	1/2003	Hassett	D3/283
D477,903 S *	8/2003	Murdoch et al.	D3/268
6,742,636 B2 *	6/2004	Godshaw	190/111

D524,050 S *	7/2006	Suppencig	D3/289
7,137,493 B2 *	11/2006	Siwak	190/111
2001/0042665 A1 *	11/2001	Siwak	190/111
2004/0066366 A1 *	4/2004	Jung et al.	345/156

OTHER PUBLICATIONS

ComMotion. Downloaded Apr. 27, 2007 at <http://www.ful.com/details/cfm?itemno=UB4L...> No prior art date available. Article cited as general reference only.*

* cited by examiner

Primary Examiner—Philip S. Hyder

Assistant Examiner—RoseLynne (Ulm) Cody

(74) *Attorney, Agent, or Firm*—Butler, Snow, O’Mara,
Stevens & Cannada, PLLC

(57) **CLAIM**

The ornamental design for the computer carrier, as shown and described.

DESCRIPTION

FIG. 1 is front prospective view of the computer carrier.

FIG. 2 is a front elevational view of the computer carrier.

FIG. 3 is a right side elevational view of the computer carrier.

FIG. 4 is a left side elevational view of the computer carrier.

FIG. 5 is a prospective back view of the computer carrier.

FIG. 6 is a top plan view of the computer carrier; and,

FIG. 7 is a bottom plan view of the computer carrier.

The cross-hatching represents a material or pattern that is understood to cover the entirety of the area on which it is shown. The broken lines shown are understood to represent stitching.

1 Claim, 5 Drawing Sheets



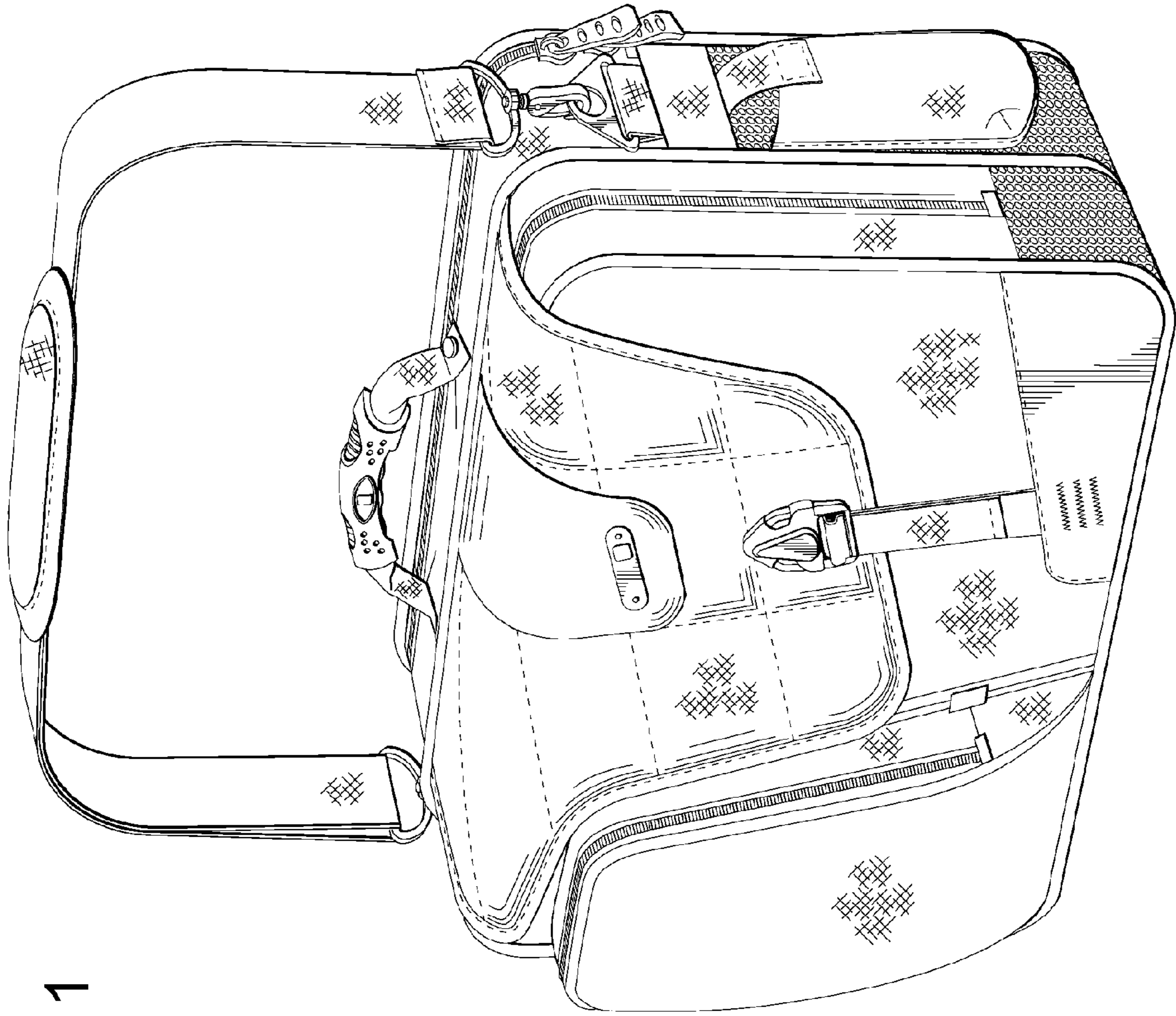


FIG. 1

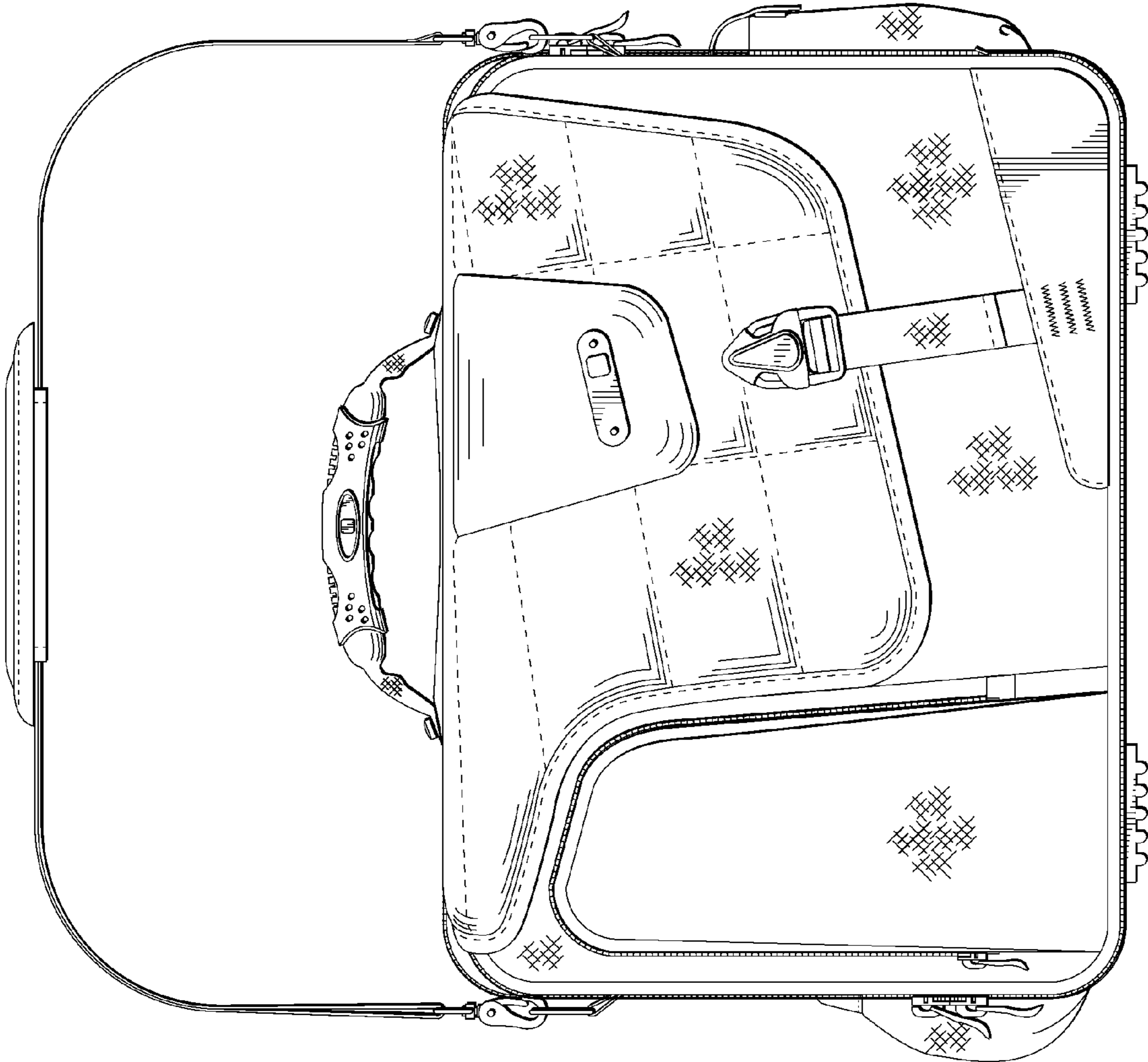
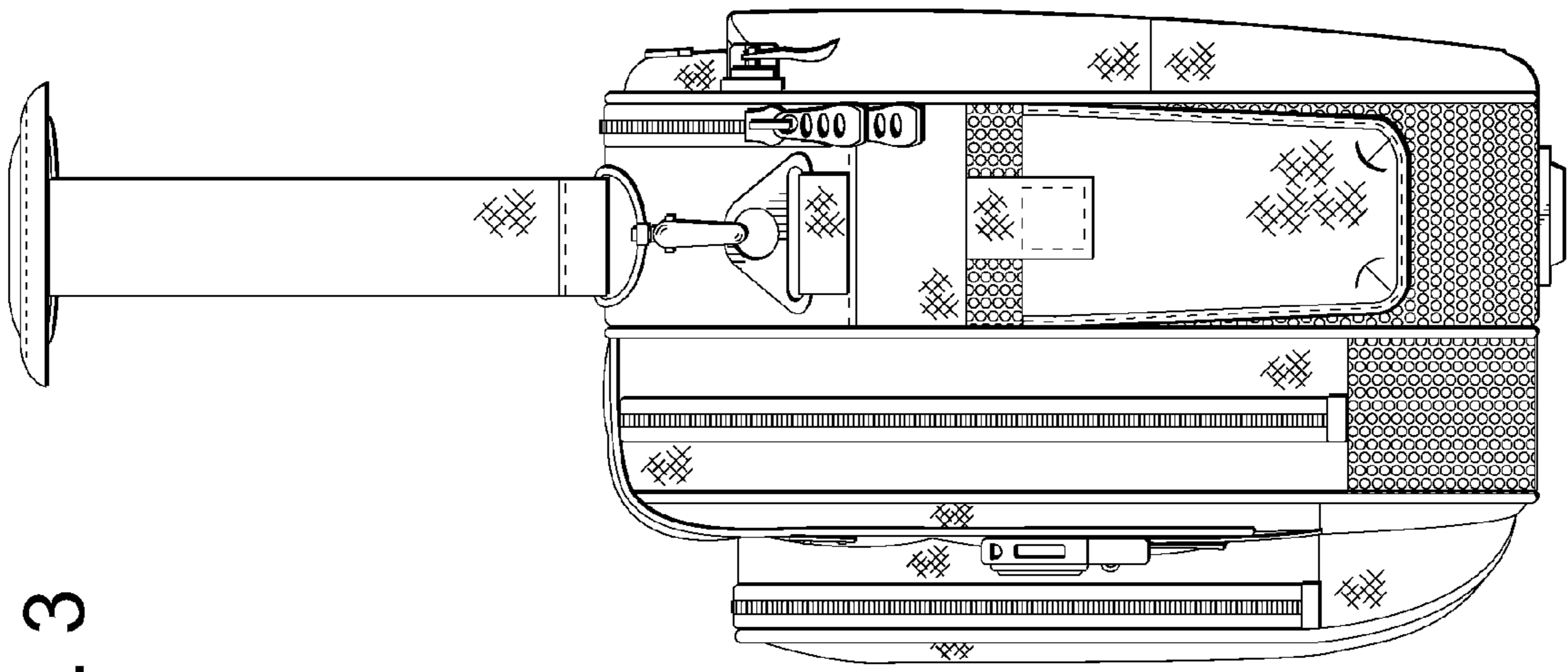
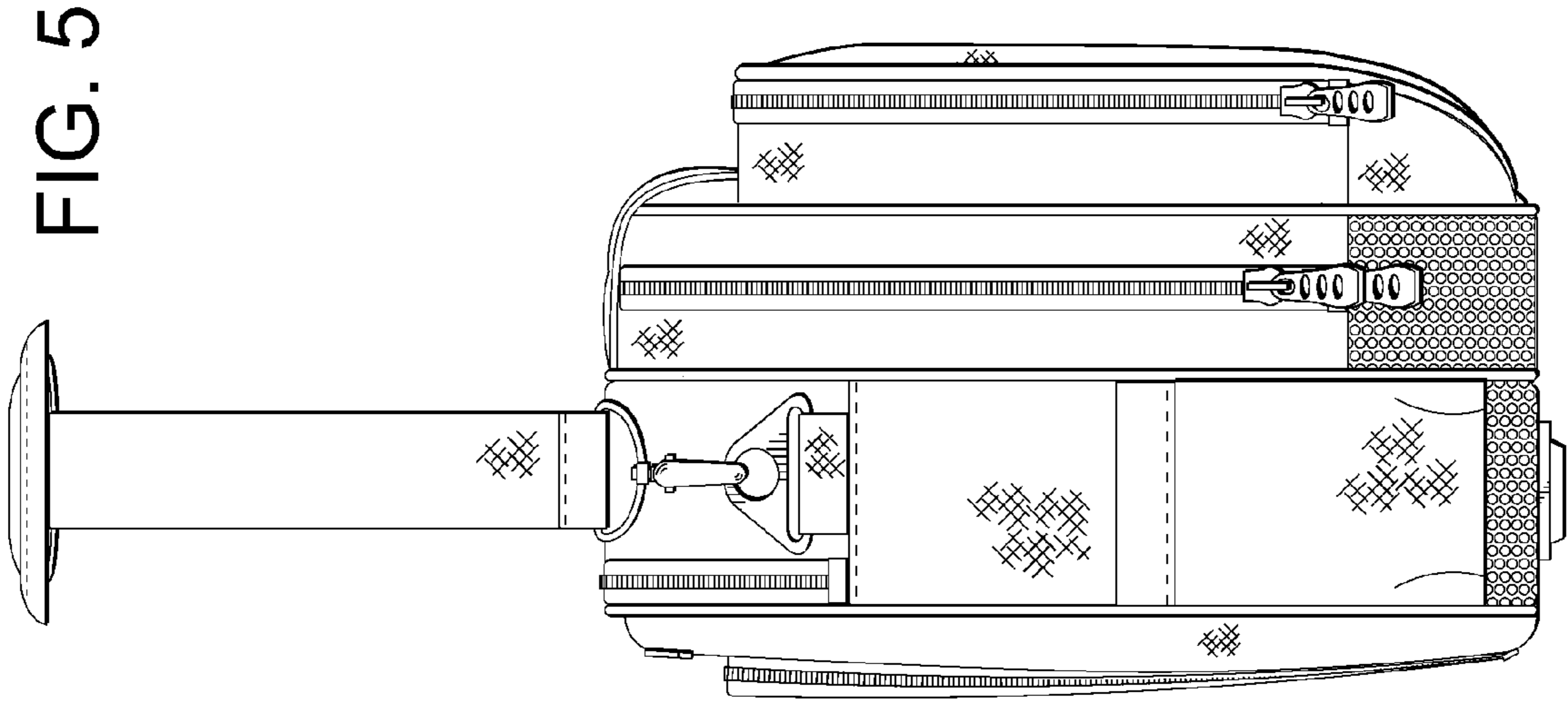


FIG. 2



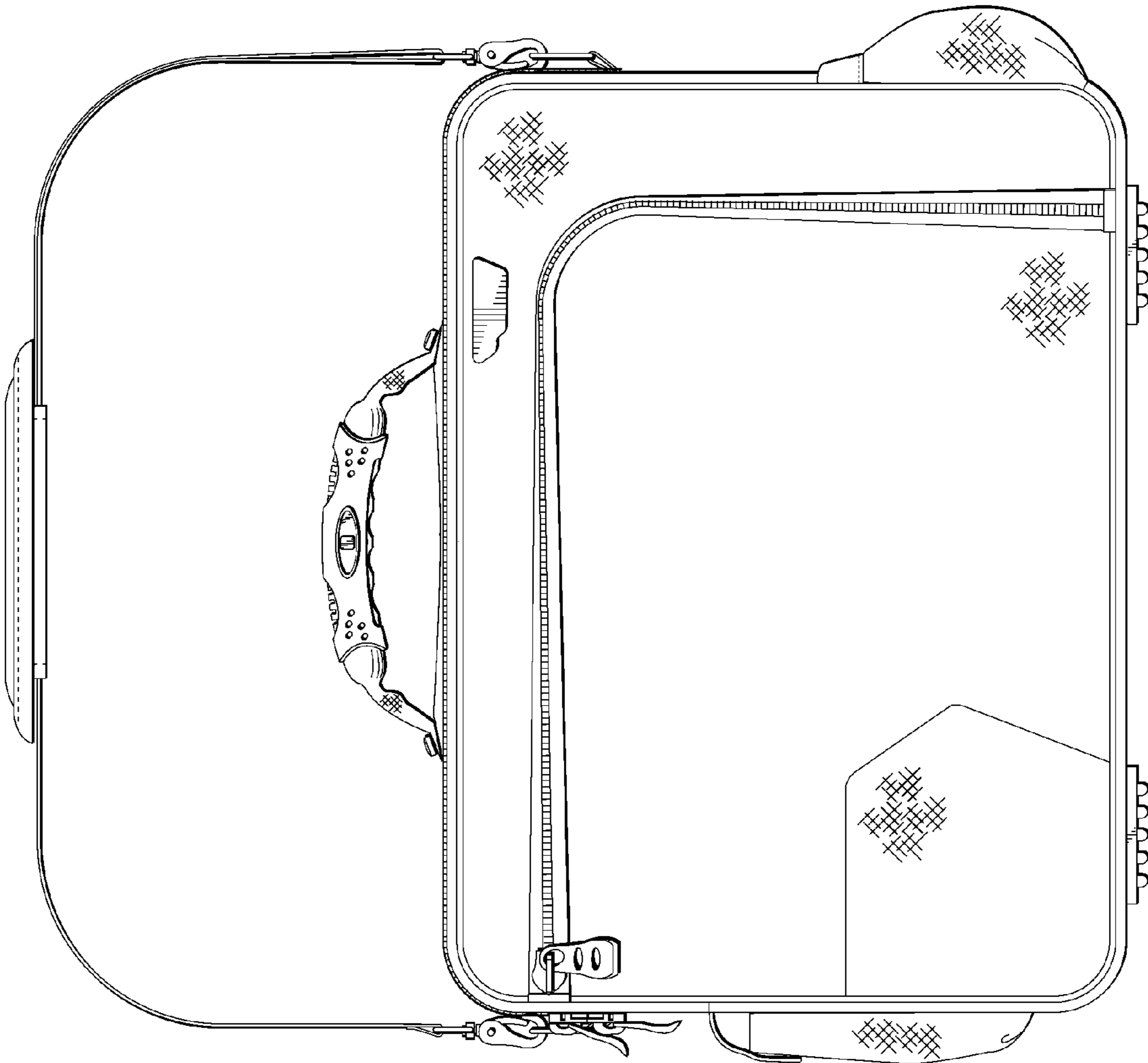


FIG. 4

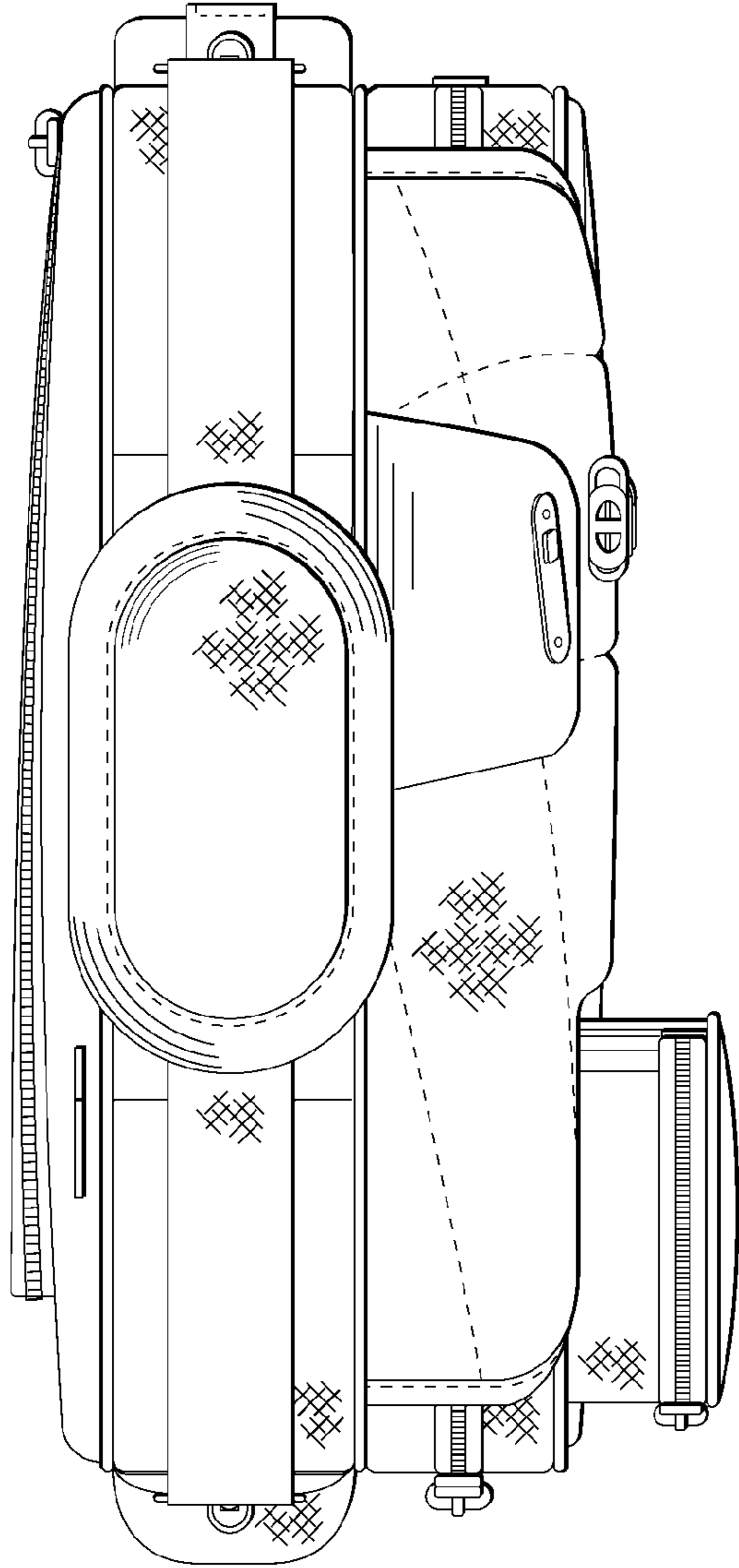


FIG. 6

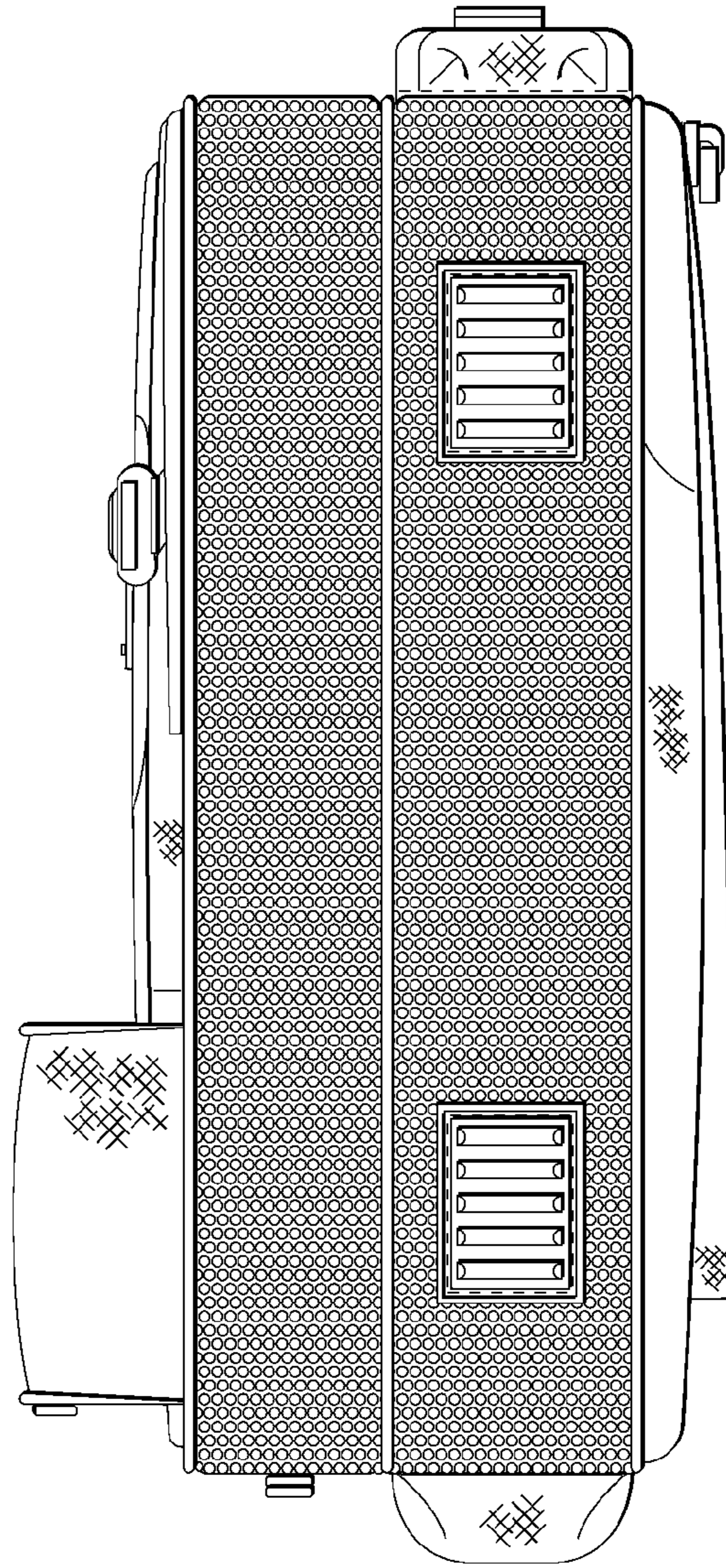


FIG. 7