

US00D548462S

(12) **United States Design Patent** (10) **Patent No.:** **US D548,462 S**  
**Aliberti et al.** (45) **Date of Patent:** **\*\* Aug. 14, 2007**

(54) **COMPUTER CASE**

(75) Inventors: **David A. Aliberti**, Verona, PA (US);  
**Elizabeth Tracy**, Pittsburgh, PA (US);  
**Thomas J. Africa**, Lebanon, OH (US);  
**Aaron A. Cornaby**, New Albany, OH  
(US); **Linda Morgan**, Oakmont, PA  
(US); **Raluca A. Vescan**, Pittsburgh, PA  
(US); **Jeff Stewart**, Pittsburgh, PA (US)

(73) Assignee: **Leedsworld, Inc.**, New Kensington, PA  
(US)

(\*\*) Term: **14 Years**

(21) Appl. No.: **29/245,085**

(22) Filed: **Dec. 19, 2005**

(51) **LOC (8) Cl.** ..... **03-01**

(52) **U.S. Cl.** ..... **D3/283; D3/289; D3/900**

(58) **Field of Classification Search** ..... **D3/273,**  
**D3/276, 283, 287, 289, 293, 900; 190/100,**  
**190/102, 108, 111-114, 119, 900, 903**

See application file for complete search history.

(56) **References Cited**

**U.S. PATENT DOCUMENTS**

D277,618 S *	2/1985	Bomes et al. ....	D3/287
D282,508 S *	2/1986	Bomes et al. ....	D3/287
D282,601 S *	2/1986	Bomes et al. ....	D3/287
D315,827 S *	4/1991	King .....	D3/287
D464,197 S *	10/2002	Kegels .....	D3/289
D477,461 S *	7/2003	Hillman .....	D3/267
2004/0112697 A1 *	6/2004	Scicluna .....	190/110
2005/0072643 A1 *	4/2005	Gormick et al. ....	190/111

**OTHER PUBLICATIONS**

Neotec Deluxe Compu-Attache. Downloaded Mar. 27, 2007 at  
<http://www.leedsworld.com/products/item.asp->

?productnumber=1900-59. This article, believed to be the claimed design, is cited as general reference only and not as prior art.\*

\* cited by examiner

*Primary Examiner*—Philip S. Hyder  
*Assistant Examiner*—RoseLynne (Ulm) Cody  
(74) *Attorney, Agent, or Firm*—Wolf Block Schorr &  
Solis-Cohen LLP

(57) **CLAIM**

We claim the ornamental design for a computer case, as shown and described.

**DESCRIPTION**

FIG. 1 illustrates a perspective view of a computer case showing our new design;

FIG. 2 illustrates a front view of a computer case showing our new design;

FIG. 3 illustrates a top view of a computer case showing our new design;

FIG. 4 illustrates a right side view of a computer case showing our new design;

FIG. 5 illustrates a left side view of a computer case showing our new design;

FIG. 6 illustrates a back view of a computer case showing our new design; and,

FIG. 7 illustrates a bottom view of a computer case showing our new design.

The broken lines describing a shoulder strap and its attaching elements, and shown in FIGS. 1-6, are for illustrative purposes only and form no part of the claimed design. All other regularly spaced broken lines in FIGS. 1-6 represent stitching.

**1 Claim, 6 Drawing Sheets**

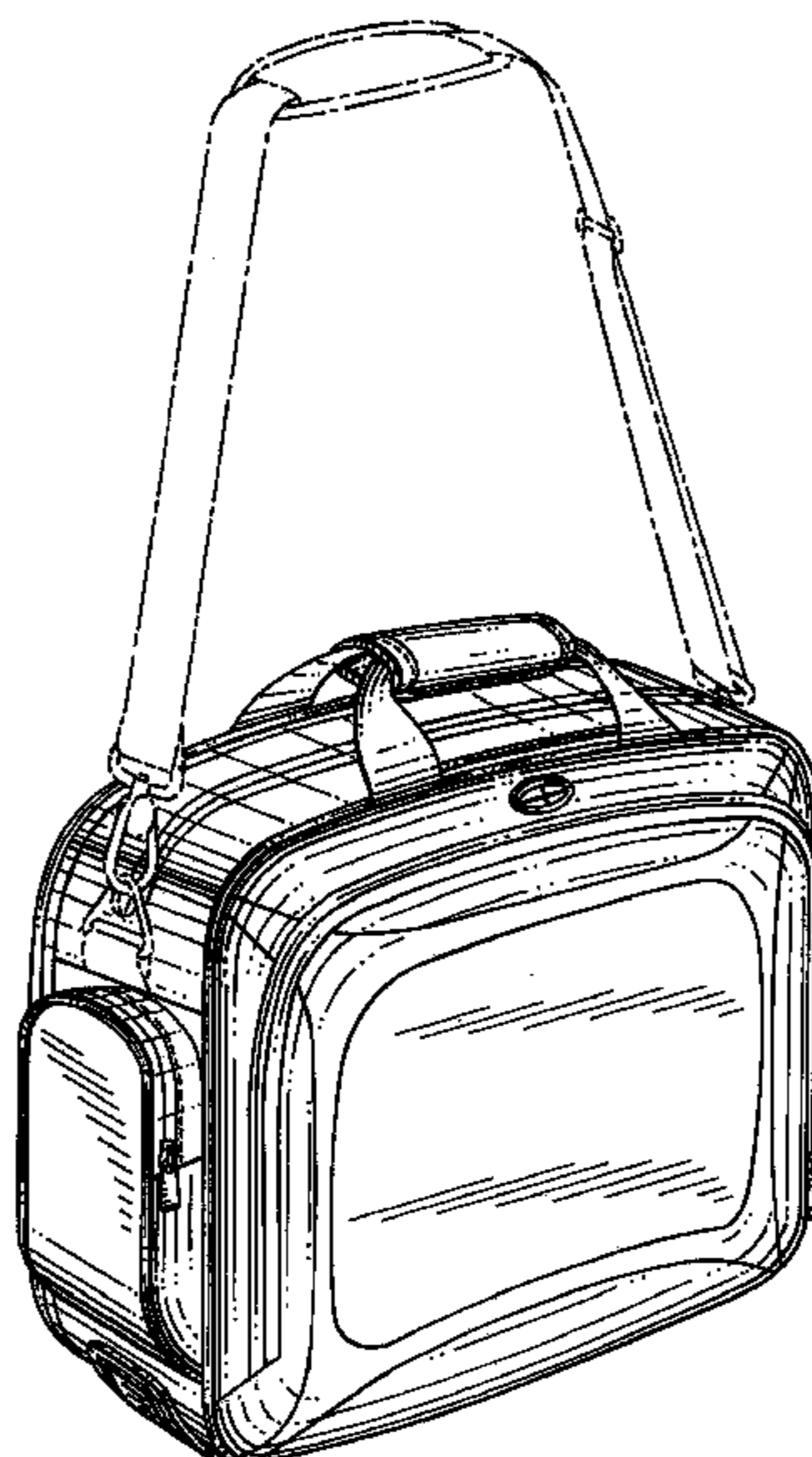




FIG. 1

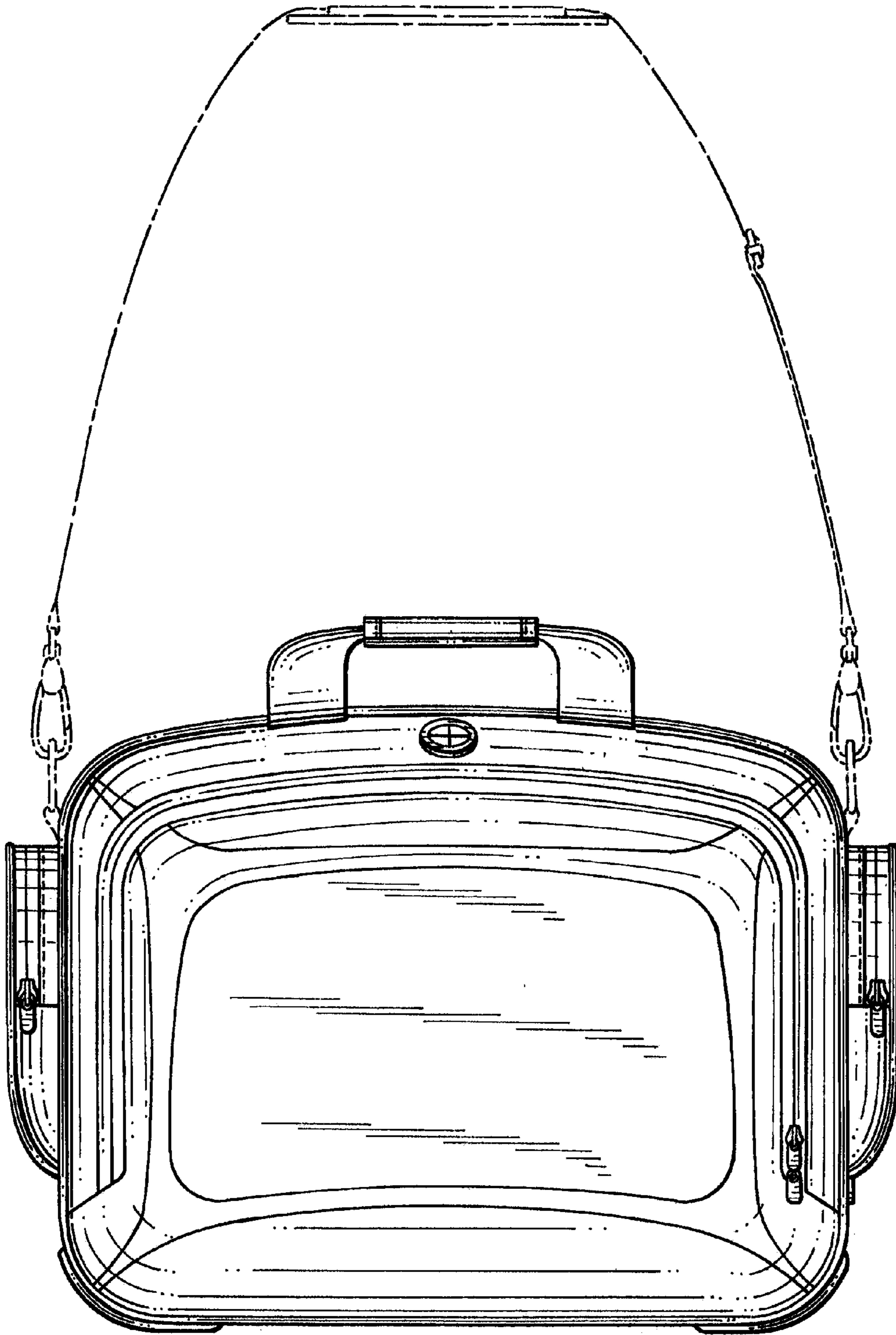


FIG.2



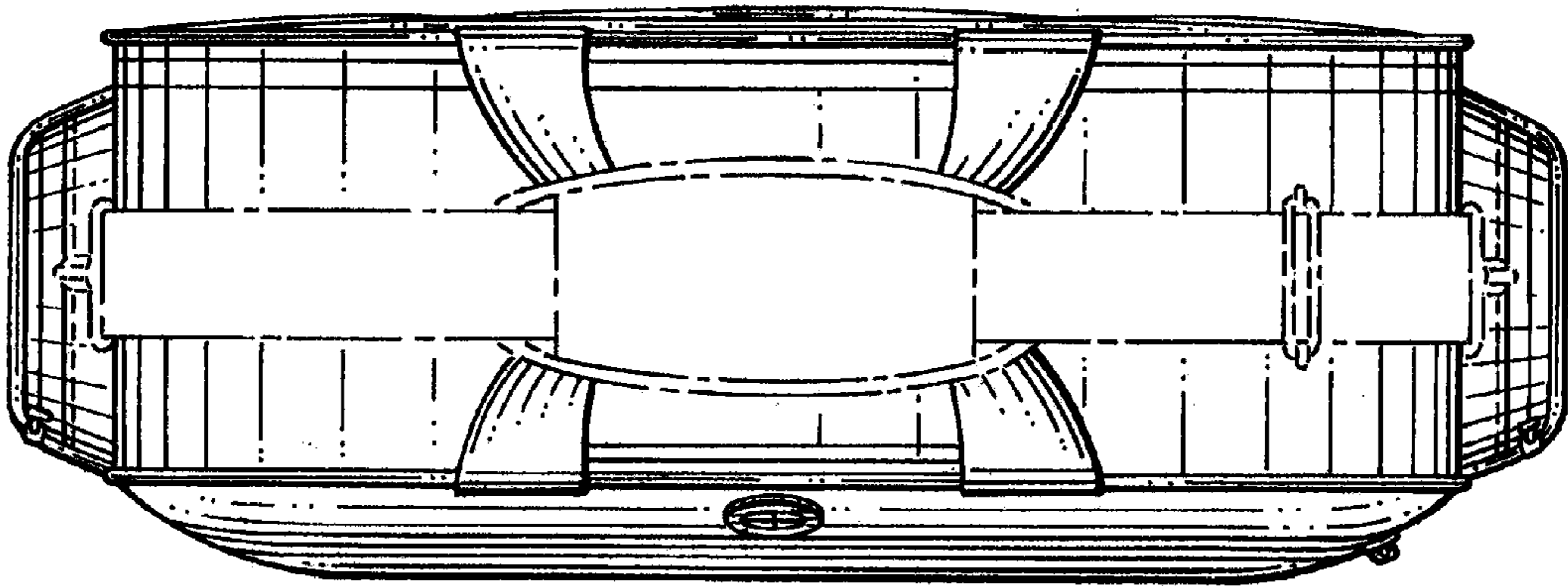


FIG. 3

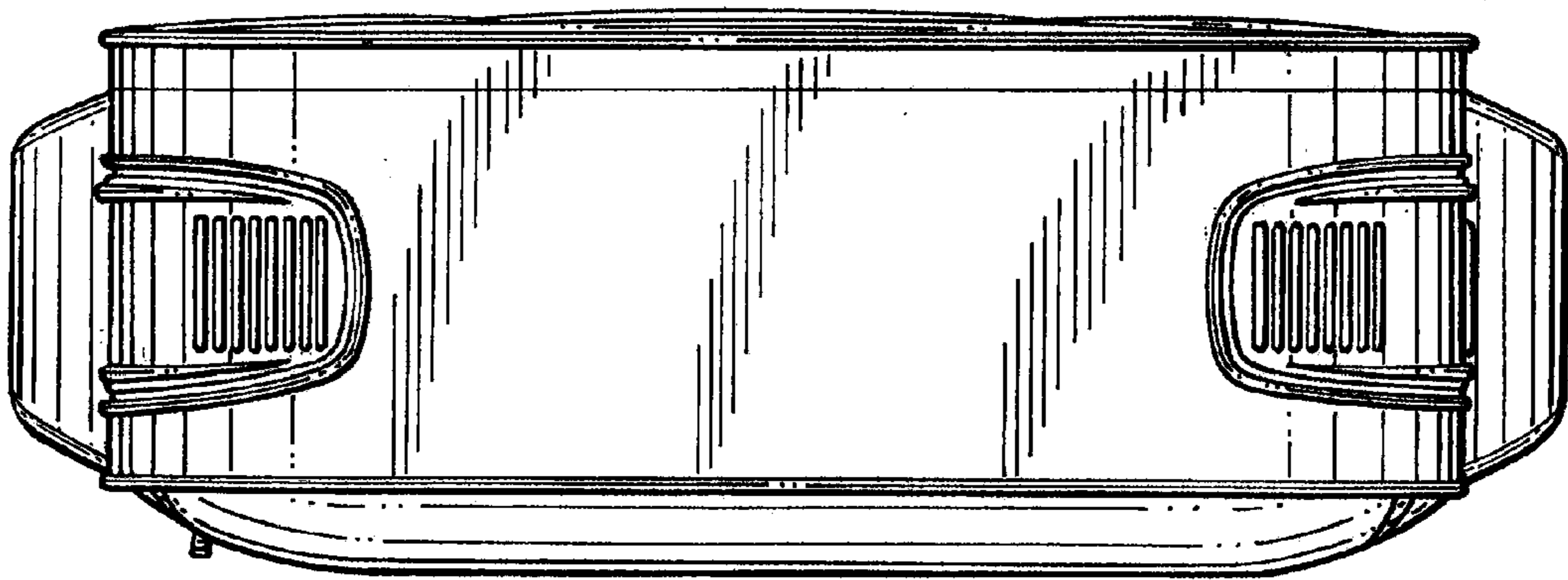


FIG. 7

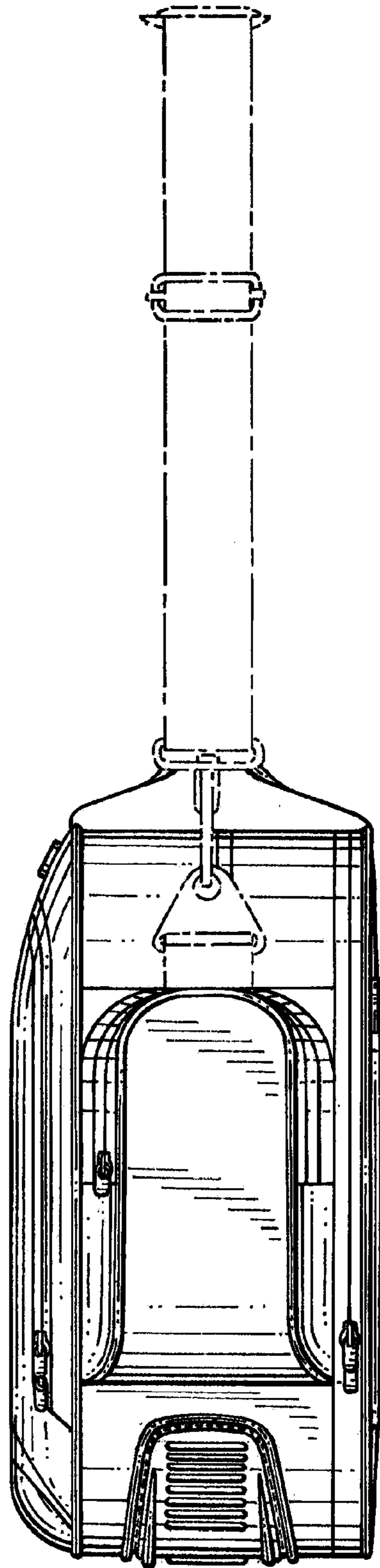


FIG.4

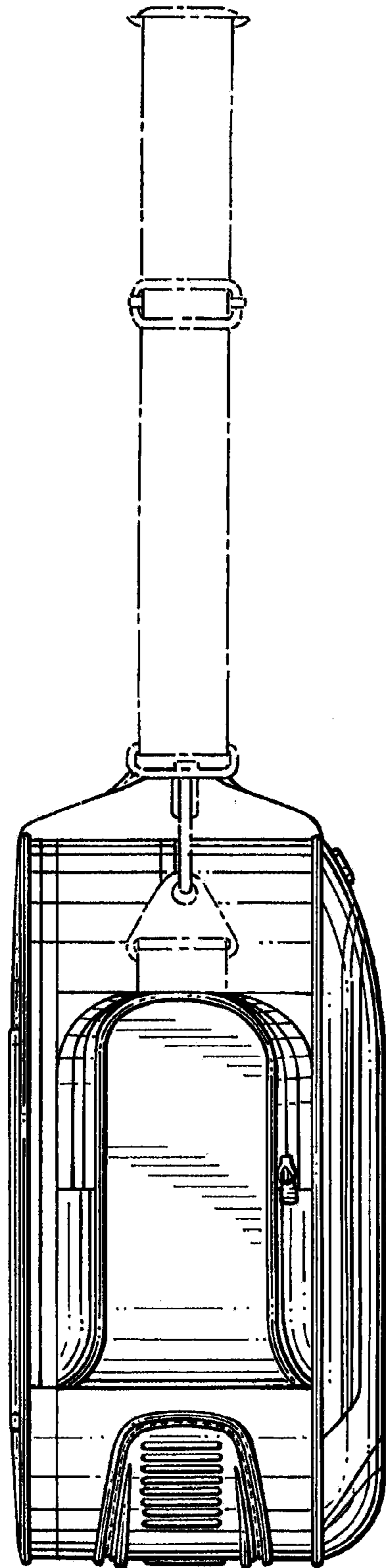


FIG.5

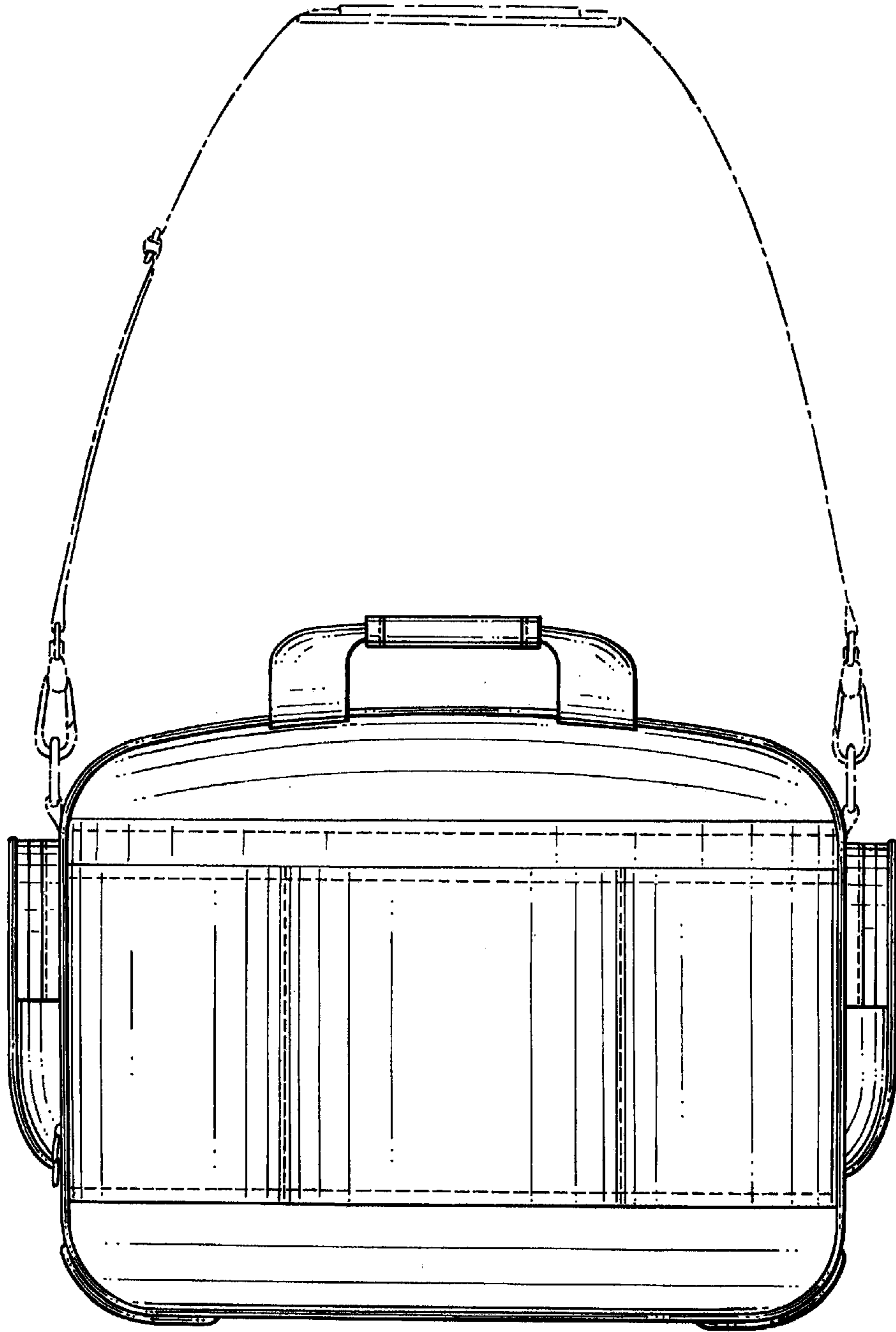


FIG.6