

US00D548458S

(12) **United States Design Patent**
Gregson, III et al.

(10) **Patent No.: US D548,458 S**

(45) **Date of Patent: ** Aug. 14, 2007**

(54) **POCKETBOOK**

(76) Inventors: **James D. Gregson, III**, 10837 Silk
Hope-Liberty Rd., Liberty, NC (US)
27298; **Traci Shelton**, 2313 Lawndale
Dr., Greensboro, NC (US) 27408

(**) Term: **14 Years**

(21) Appl. No.: **29/253,400**

(22) Filed: **Feb. 6, 2006**

(51) **LOC (8) Cl.** **03-01**

(52) **U.S. Cl.** **D3/245**

(58) **Field of Classification Search** D3/232,
D3/234, 238, 240, 241, 242, 243, 244, 245,
D3/246, 303, 318, 319, 321, 322, 323, 324,
D3/325, 326, 900, 902; 150/100, 107, 108,
150/110, 111, 118, 119, 120; 190/100, 108,
190/109, 112, 115, 900, 902, 903; 383/6,
383/25, 30, 31, 38, 42, 70, 71, 72, 74, 75,
383/76, 78, 84, 117, 907

See application file for complete search history.

(56) **References Cited**

U.S. PATENT DOCUMENTS

994,399 A * 6/1911 Holroyd 150/107
2,170,379 A * 8/1939 Ortt 190/107

D148,474 S * 1/1948 Kuhlman D3/246
D220,461 S * 4/1971 Soyka D3/243
D444,943 S * 7/2001 Nastasi D3/246
D467,072 S * 12/2002 Grassi Damiani D3/243
D495,877 S * 9/2004 Thorsen D3/246

* cited by examiner

Primary Examiner—Louis S. Zarfaz
Assistant Examiner—Monica A Weingart

(57) **CLAIM**

The ornamental design for a pocketbook, as shown and described.

DESCRIPTION

FIG. 1 is a front perspective view of a pocketbook showing our new design;

FIG. 2 is a front elevational view thereof;

FIG. 3 is a top plan view in the closed position thereof;

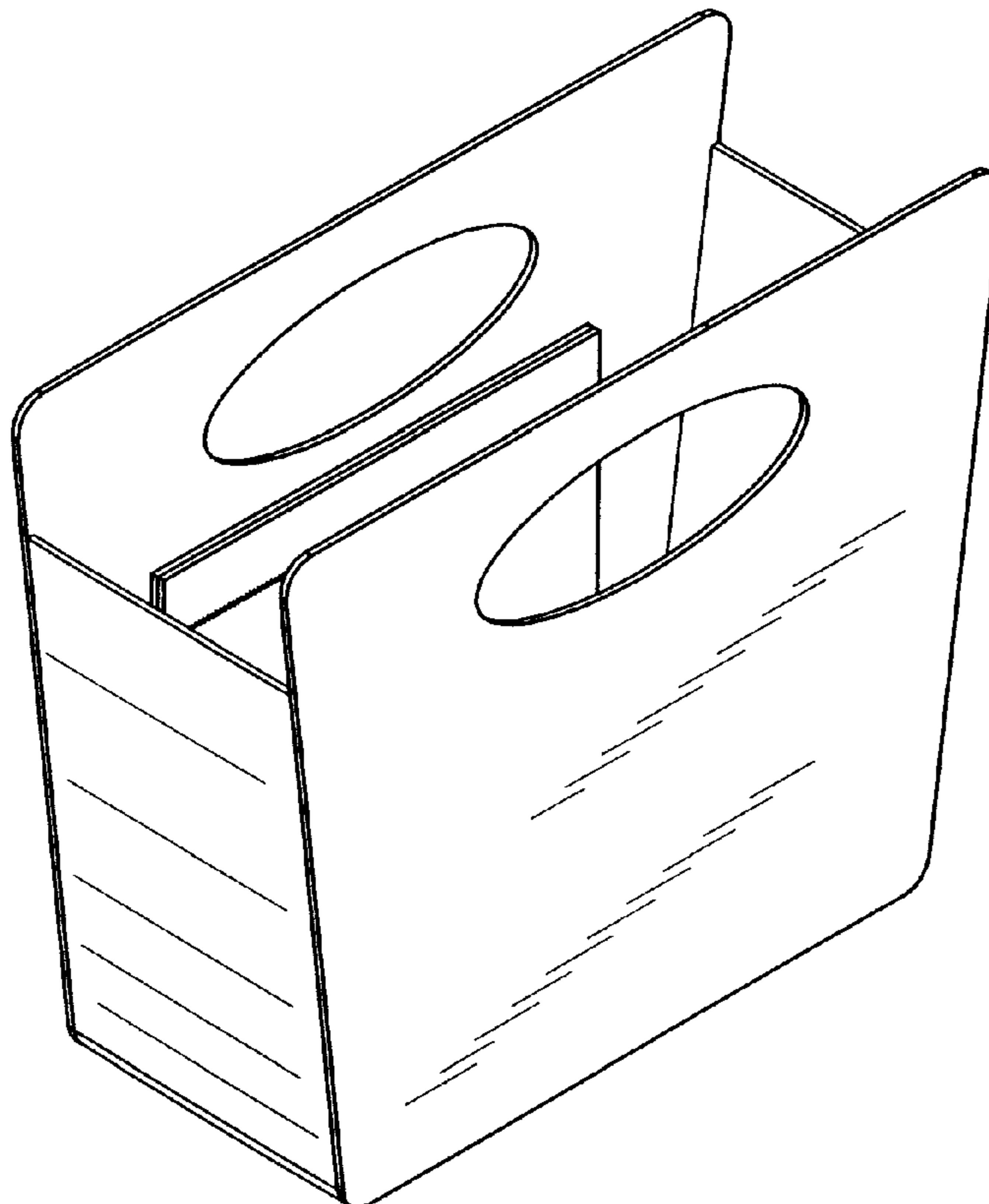
FIG. 4 is a top plan view in the open position thereof;

FIG. 5 is a bottom plan view thereof;

FIG. 6 is a right side elevational view, the left side being identical thereof; and,

FIG. 7 is a left side elevational view with the left end removed to expose the interior.

1 Claim, 3 Drawing Sheets



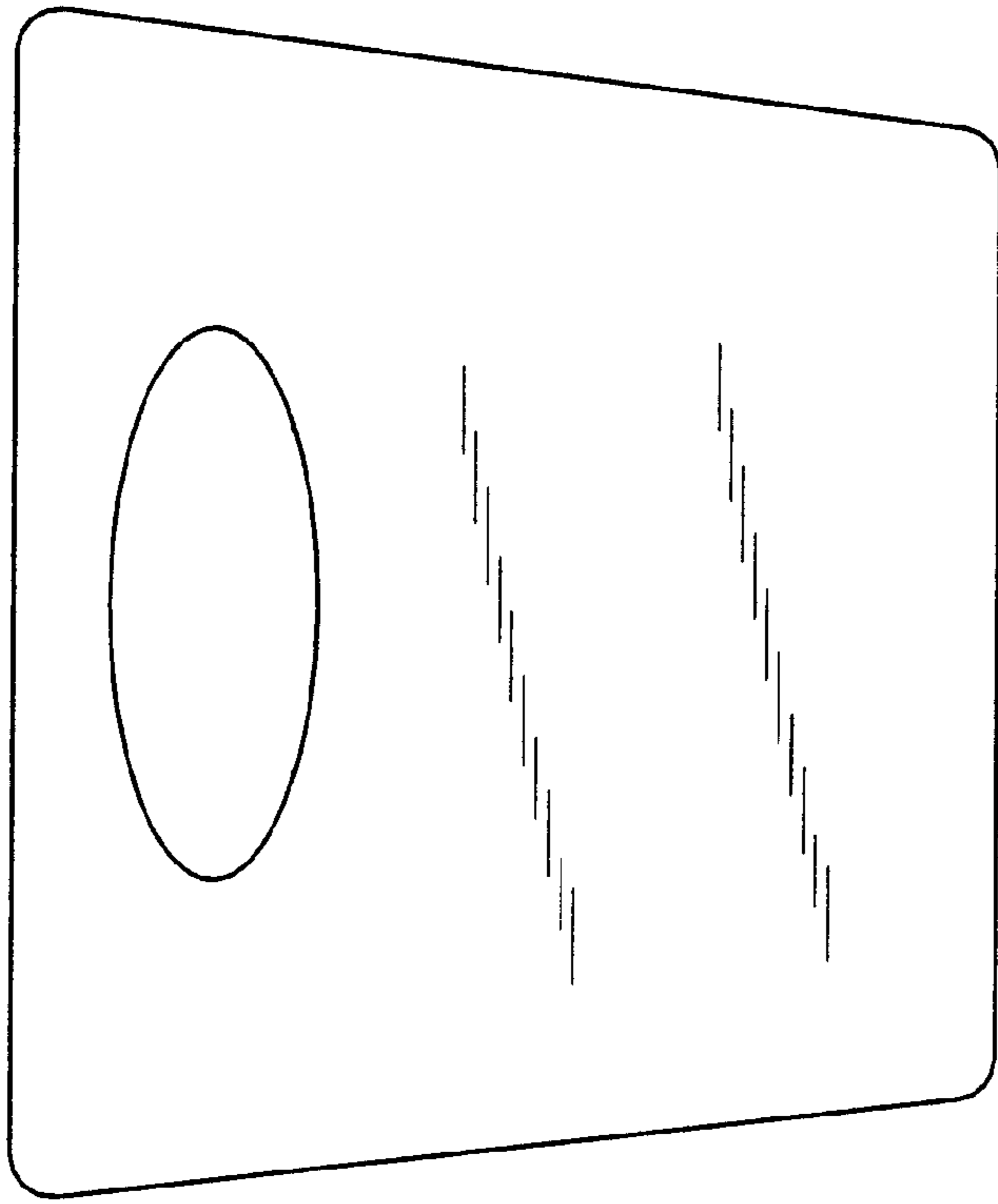


FIG. 2

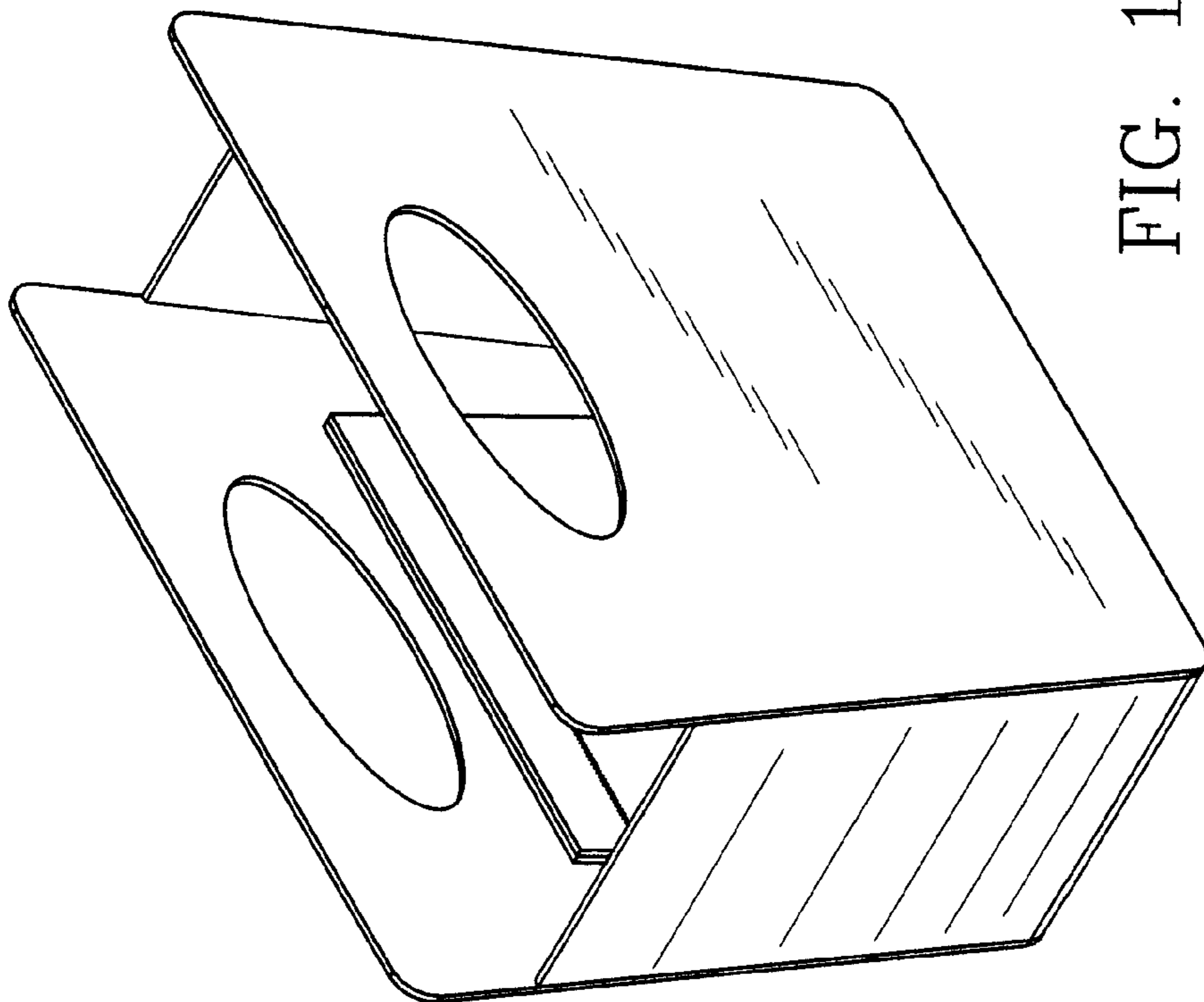


FIG. 1

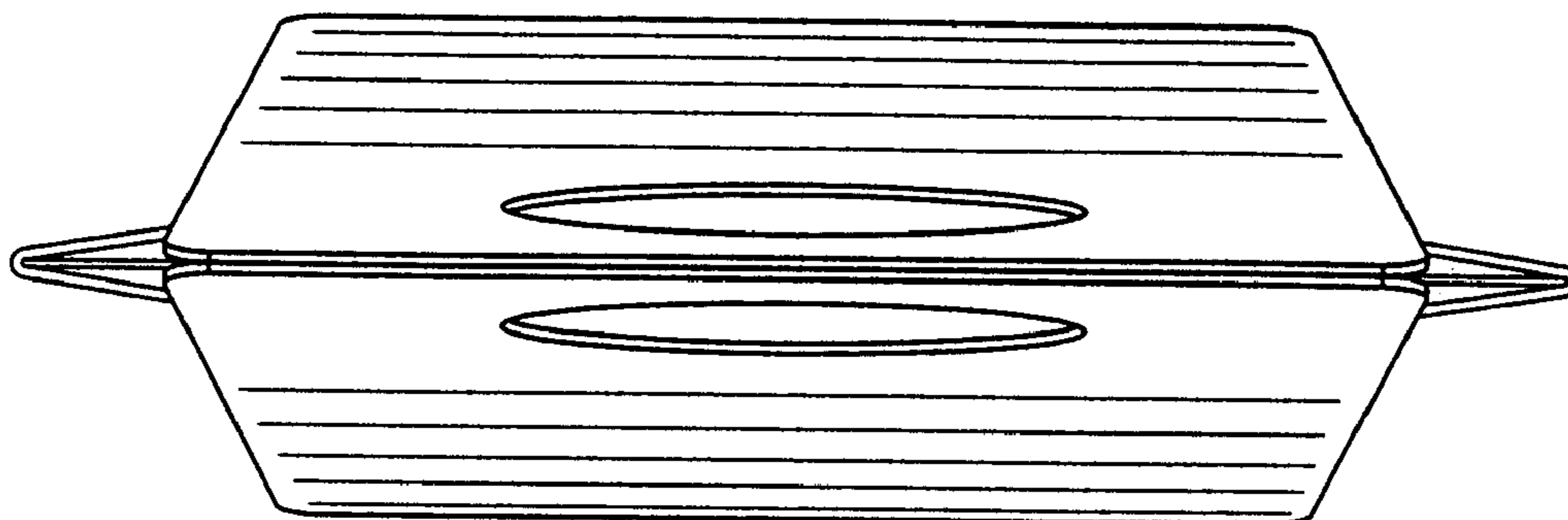


FIG. 3

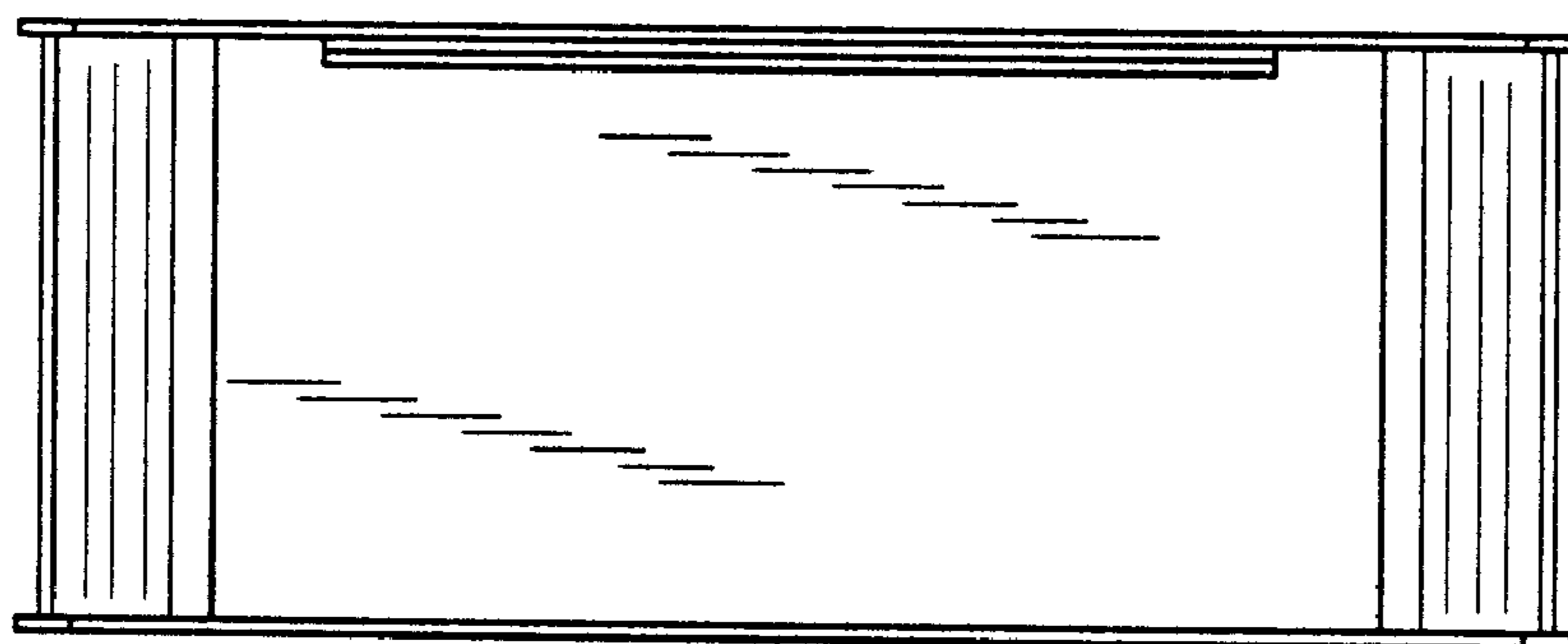


FIG. 4

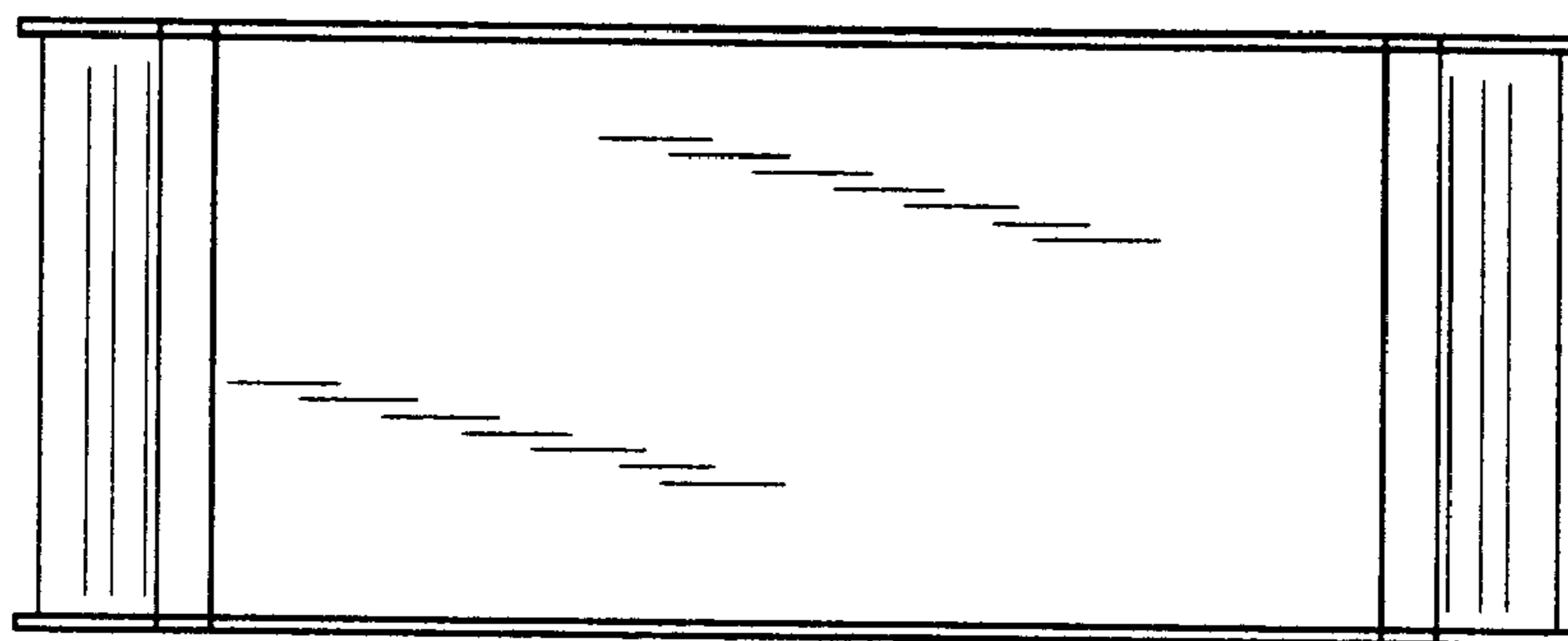


FIG. 5

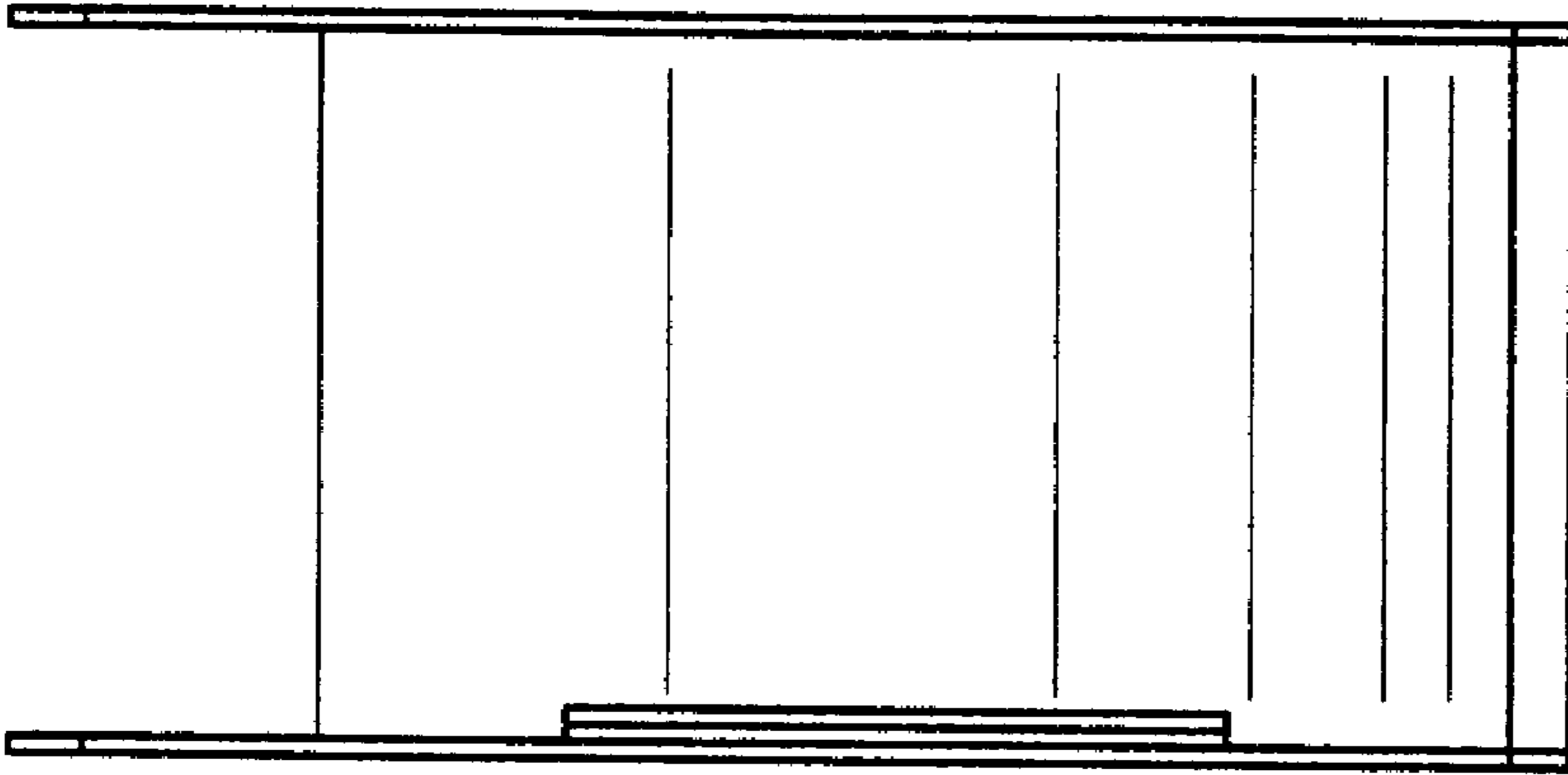


FIG. 7

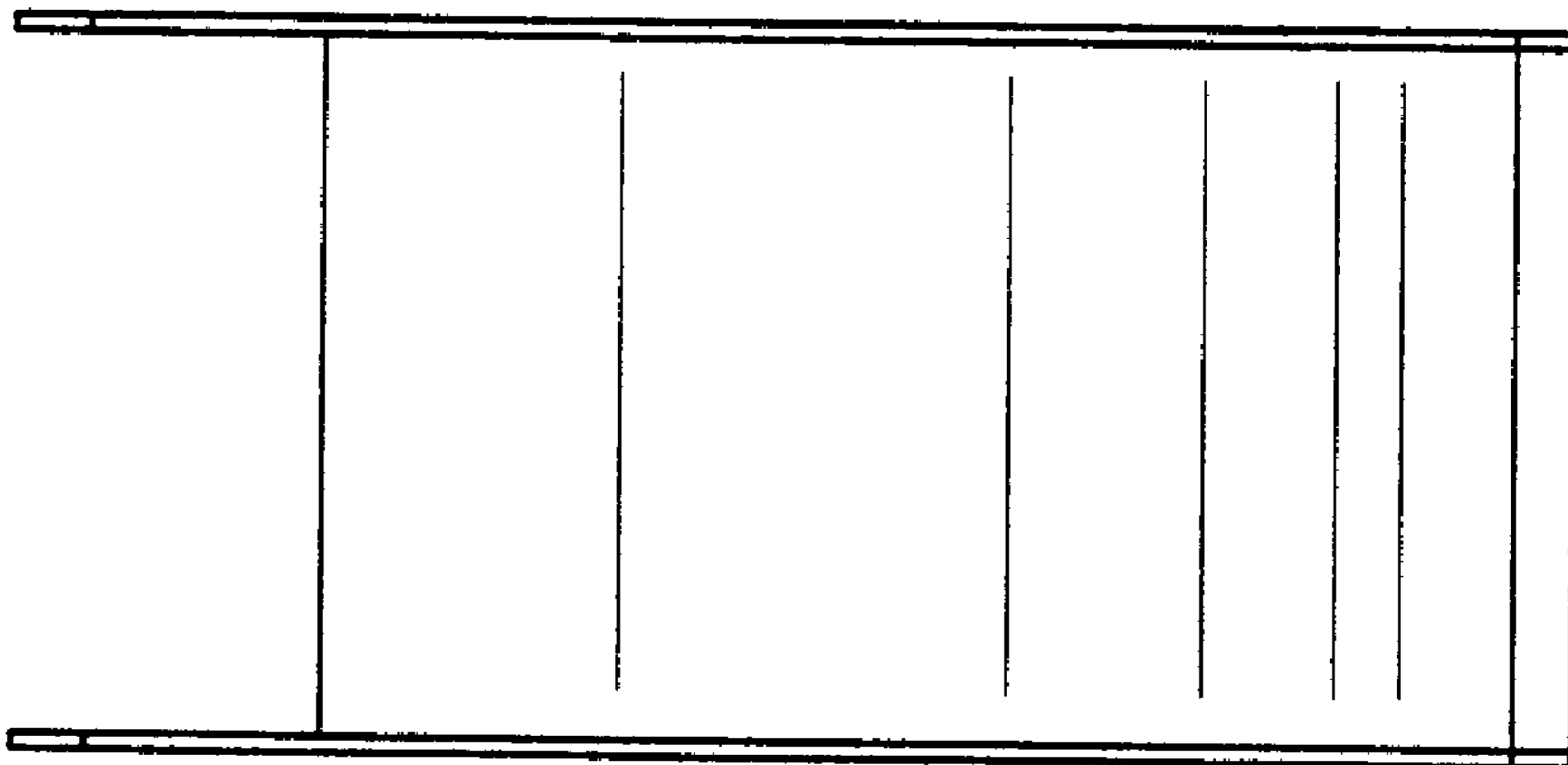


FIG. 6