

US00D548454S

(12) **United States Design Patent**
Radtke et al.

(10) **Patent No.:** **US D548,454 S**

(45) **Date of Patent:** **** Aug. 14, 2007**

(54) **KEYCHAIN SPRAY MISTING FAN**

D454,631 S * 3/2002 Steiner D23/379
D507,642 S * 7/2005 Radtke et al. D23/379
D529,166 S * 9/2006 Geringer D23/379

(75) Inventors: **Lee Radtke**, Lake Zurich, IL (US);
Eric Junkel, Des Plaines, IL (US)

* cited by examiner

(73) Assignee: **Squeeze Breeze/Circulair**, Chicago, IL (US)

Primary Examiner—Ralf Seifert

(**) Term: **14 Years**

(74) *Attorney, Agent, or Firm*—Gifford, Krass, Sprinkle, Anderson & Citkowski, P.C.

(21) Appl. No.: **29/222,943**

(57) **CLAIM**

(22) Filed: **Feb. 4, 2005**

We claim the ornamental design for a keychain spray misting fan, as shown and described.

(51) **LOC (8) Cl.** **03-01**

(52) **U.S. Cl.** **D3/208; D23/379**

(58) **Field of Classification Search** D3/207–212;
206/37.1, 38.1; 150/147; 70/456 R, 456 B,
70/458–459; 24/3 K, 3.6; D11/44, 48; D23/370,
D23/379, 382

DESCRIPTION

See application file for complete search history.

FIG. 1 is a perspective view of the keychain spray misting fan according to a first preferred embodiment of the present design;

FIG. 2 is a right side view of the present design, a corresponding left side view being a mirror image thereof;

FIG. 3 is a front view of the present design;

FIG. 4 is a rear view of the present design;

FIG. 5 is a top view of the present design; and,

FIG. 6 is a bottom view of the present design.

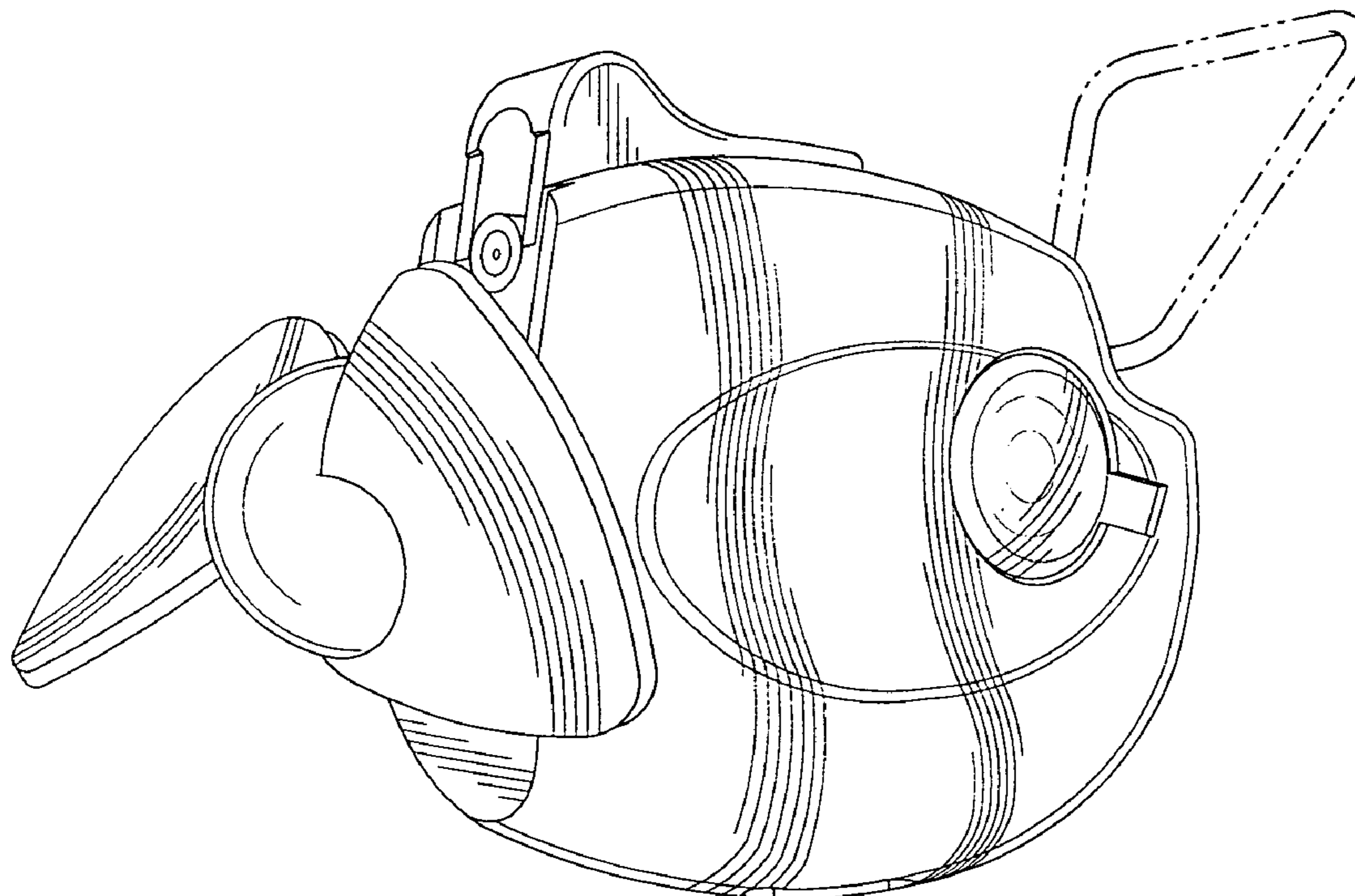
It being understood that the broken lines in FIG. 1 are for illustrative purposes only and form no part of the claimed design.

(56) **References Cited**

U.S. PATENT DOCUMENTS

D270,688 S * 9/1983 Thompson D6/381
D309,182 S * 7/1990 Hsu D23/382
D334,976 S * 4/1993 Yuen D23/377
5,837,167 A 11/1998 Lederer 261/28
D406,331 S * 3/1999 Chan D23/382
D414,550 S * 9/1999 Bloom D23/328
6,109,874 A 8/2000 Steiner 416/63
6,216,961 B1 4/2001 Utter et al. 239/153

1 Claim, 3 Drawing Sheets



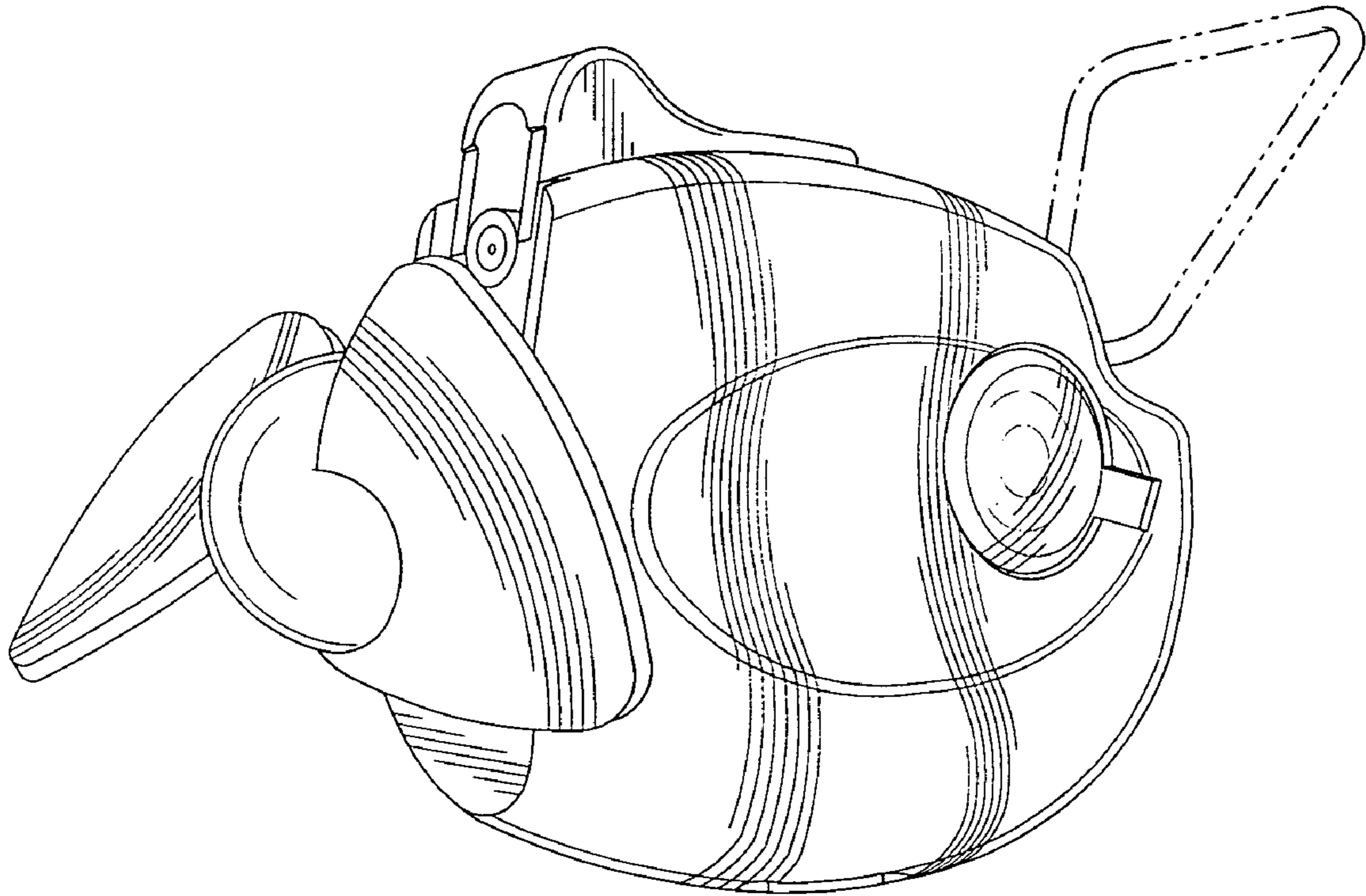


Fig-1

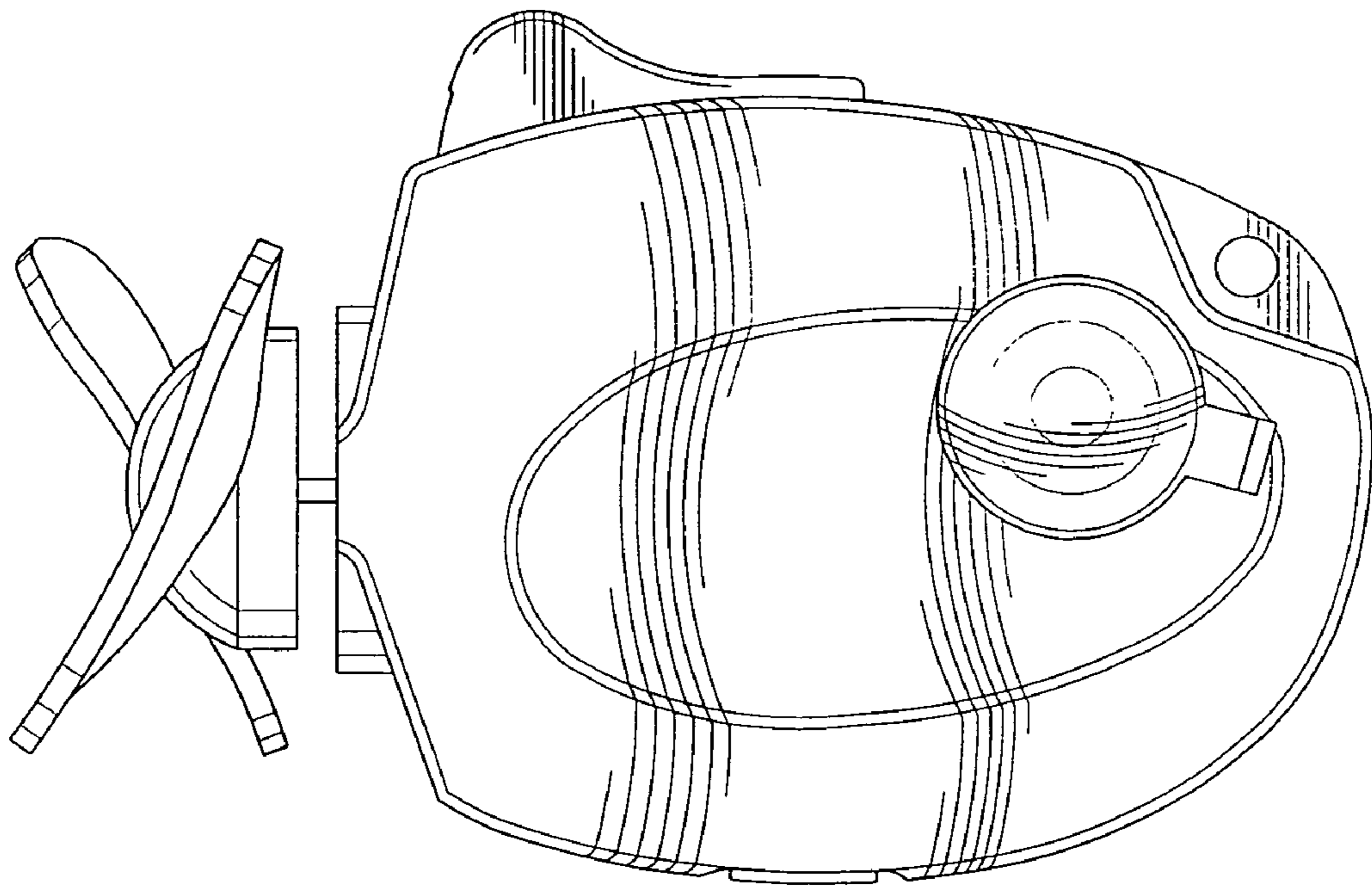


Fig-2

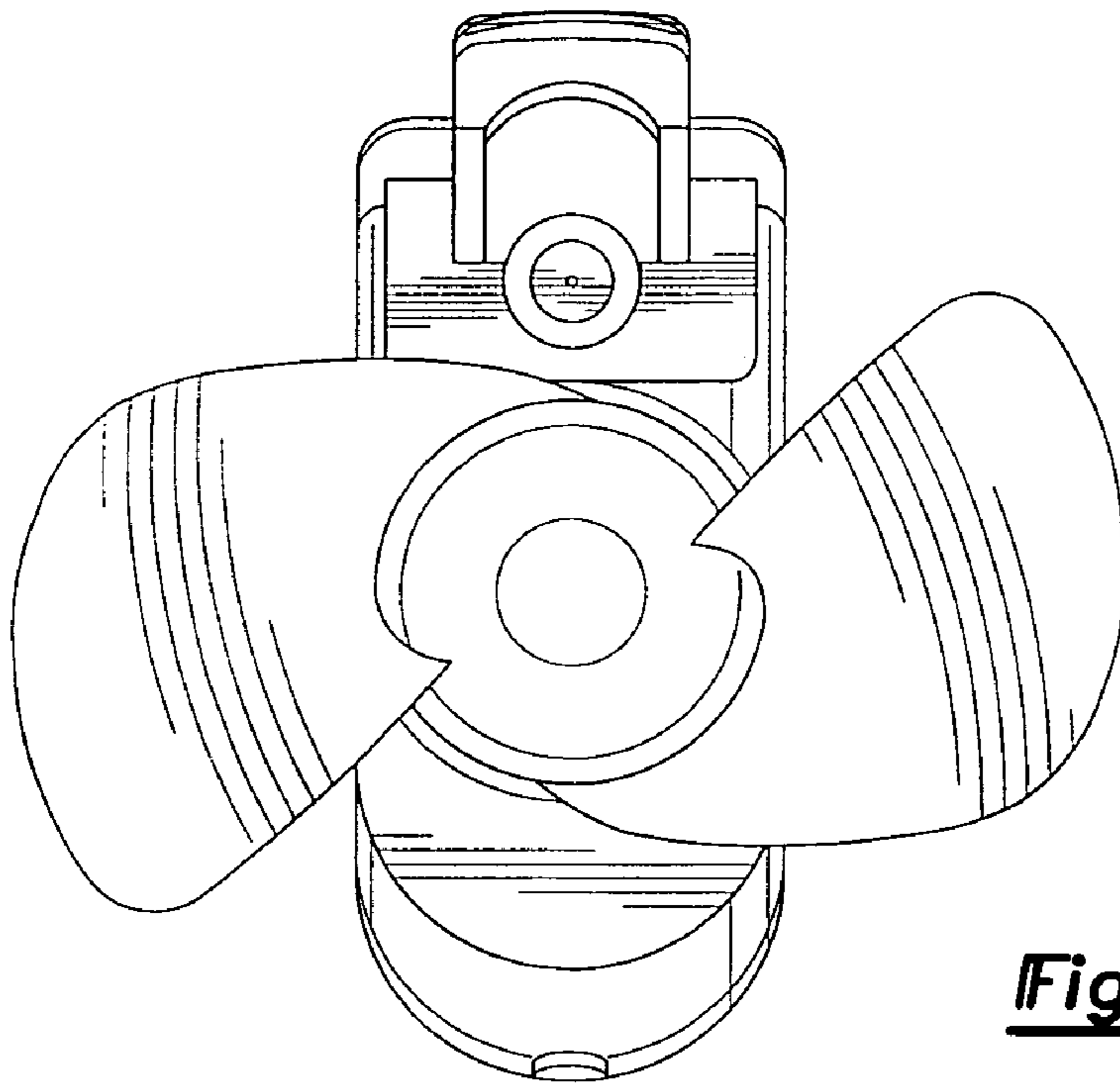


Fig-3

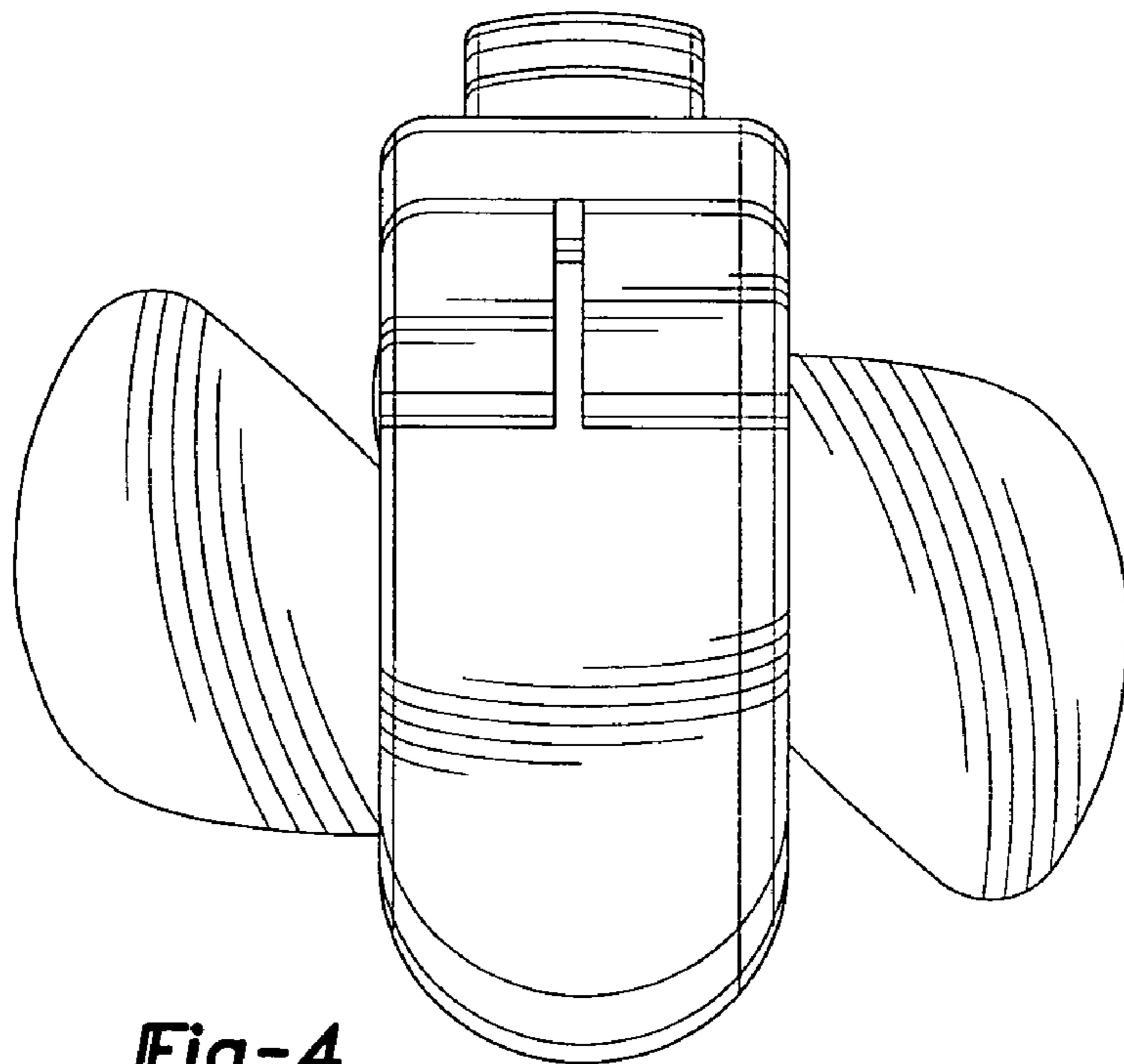


Fig-4

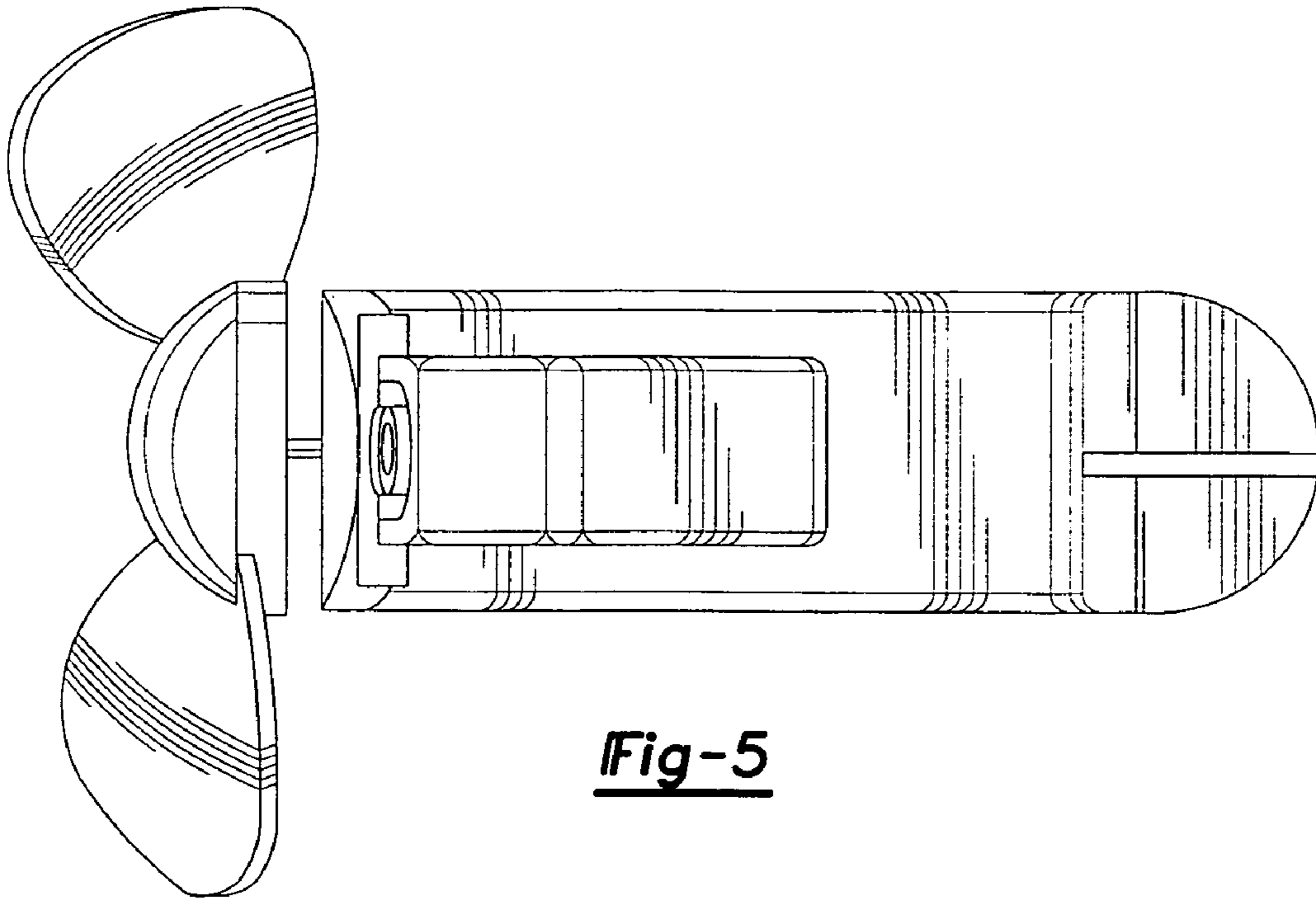


Fig-5

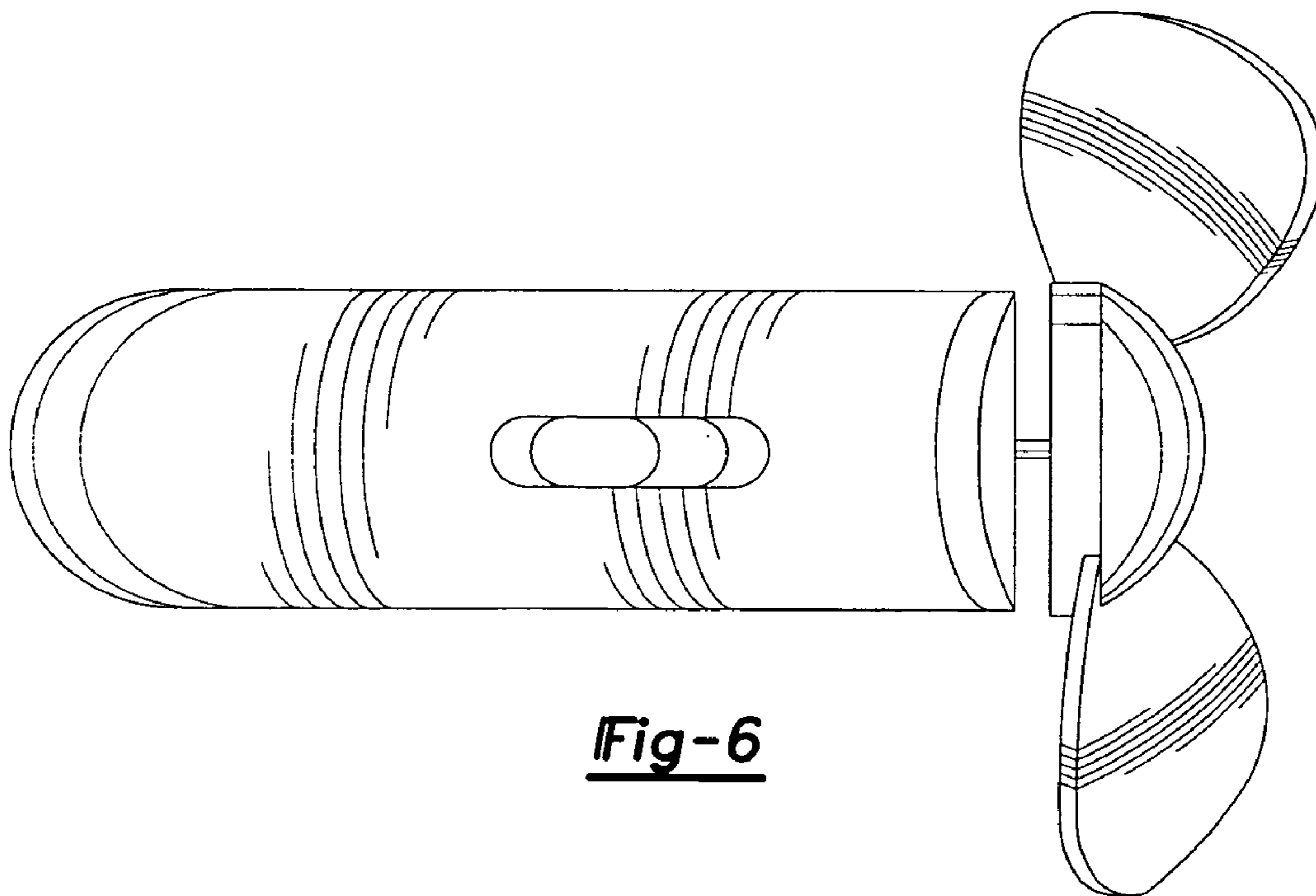


Fig-6