

US00D548453S

(12) **United States Design Patent**  
**Mihara**

(10) **Patent No.:** **US D548,453 S**

(45) **Date of Patent:** **\*\* Aug. 14, 2007**

(54) **KNITTING CROCHET HOOK**

(75) Inventor: **Hiroko Mihara**, Osaka (JP)

(73) Assignee: **Clover Mfg. Co., Ltd.**, Osaka (JP)

(\*\*) Term: **14 Years**

(21) Appl. No.: **29/252,233**

(22) Filed: **Jan. 19, 2006**

(30) **Foreign Application Priority Data**

Aug. 1, 2005 (JP) ..... 2005-022291

(51) **LOC (8) Cl.** ..... **02-07**

(52) **U.S. Cl.** ..... **D3/28**

(58) **Field of Classification Search** ..... D3/18-29;  
223/101-104; 66/1 A, 6, 116-118; 289/13,  
289/16, 18.1; 112/110, 116, 78, 80.5  
See application file for complete search history.

(56) **References Cited**

**U.S. PATENT DOCUMENTS**

D273,347 S *	4/1984	Okada	.....	D3/28
D277,430 S *	2/1985	Okada	.....	D3/28
D382,702 S *	8/1997	Matuo	.....	D3/28
D414,328 S *	9/1999	Shotton et al.	.....	D3/28
D420,214 S *	2/2000	Shotton et al.	.....	D3/28

\* cited by examiner

*Primary Examiner*—Louis S. Zarfes

*Assistant Examiner*—Anhdao Doan

(74) *Attorney, Agent, or Firm*—Hamre, Schumann, Mueller & Larson, P.C.

(57) **CLAIM**

I claim the ornamental design for a knitting crochet hook, as shown and described.

**DESCRIPTION**

FIG. 1 is a front view of a knitting crochet hook showing my new design;

FIG. 2 is a left side view of the same crochet hook, the right side view being symmetrical to the left side view;

FIG. 3 is a rear view of the same crochet hook;

FIG. 4 is a top plan view of the same crochet hook;

FIG. 5 is a bottom view of the same crochet hook;

FIG. 6 is a sectional view of the same crochet hook taken along lines 6—6 in FIG. 1; and,

FIG. 7 is a sectional view of the same crochet hook taken along lines 7—7 in FIG. 1.

**1 Claim, 2 Drawing Sheets**

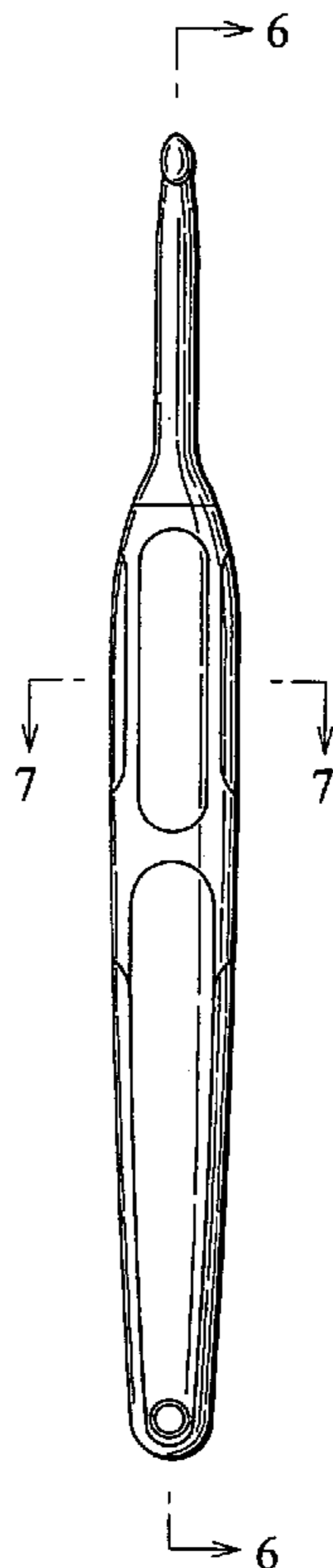


FIG.1

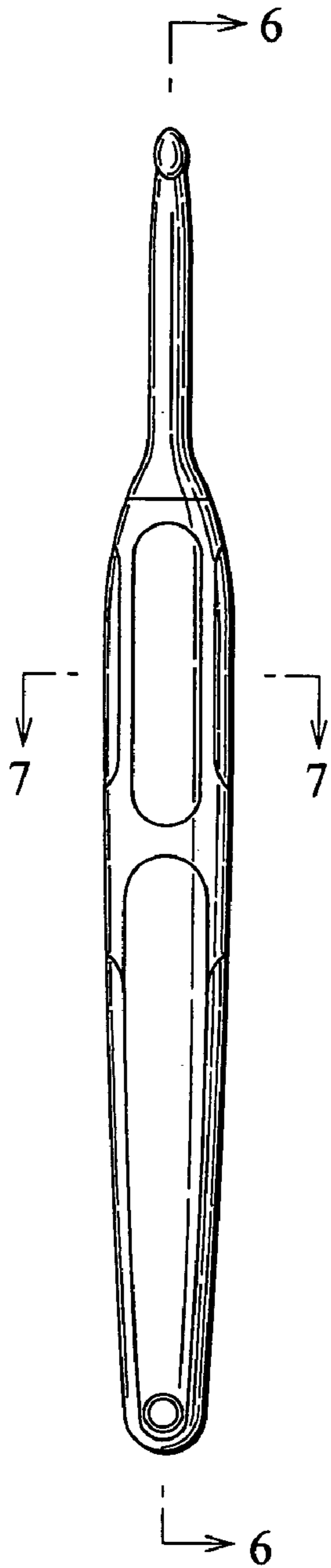


FIG.2



FIG.3

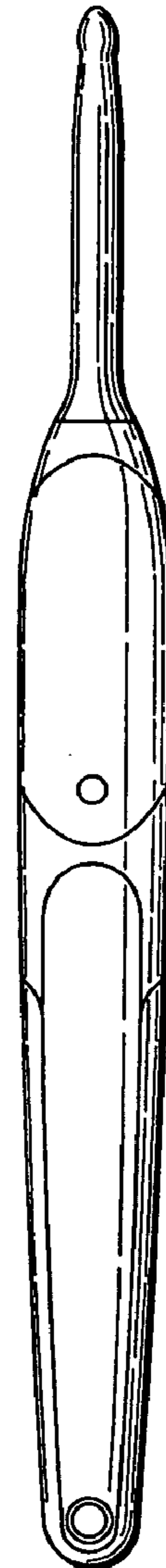


FIG.4



FIG.5



FIG.6



FIG.7

