

US00D548452S

(12) **United States Design Patent**  
**Oelzant**

(10) **Patent No.:** **US D548,452 S**

(45) **Date of Patent:** **\*\* Aug. 14, 2007**

(54) **GOLF CART UMBRELLA**

D449,926 S \* 11/2001 Tsai ..... D3/5

(76) Inventor: **Eveline Oelzant**, Sylvesterstrasse 18,  
3032 Eichgraben (AT)

\* cited by examiner

*Primary Examiner*—Louis S. Zarfaz

*Assistant Examiner*—Anhdao Doan

(74) *Attorney, Agent, or Firm*—Abelman, Frayne & Schwab

(\*\*) Term: **14 Years**

(21) Appl. No.: **29/266,192**

(22) Filed: **Sep. 15, 2006**

(57) **CLAIM**

The ornamental design for a golf cart umbrella, as shown and described.

(30) **Foreign Application Priority Data**

Mar. 15, 2006 (EM) ..... 000496336

**DESCRIPTION**

(51) **LOC (8) Cl.** ..... **03-03**

(52) **U.S. Cl.** ..... **D3/10**

(58) **Field of Classification Search** ..... D3/5,  
D3/6, 10-17; 135/15.1, 20.1, 20.2, 33.2,  
135/33.4, 33.41, 33.7, 15, 16, 98, 99; D21/837  
See application file for complete search history.

FIG. 1 is a top perspective view of a golf cart umbrella showing my new design;

FIG. 2 is a top plan view thereof;

FIG. 3 is a right side elevational view thereof, with the left side being a mirror image thereof; and,

FIG. 4 is a front elevational view thereof, with the rear side being a mirror image thereof.

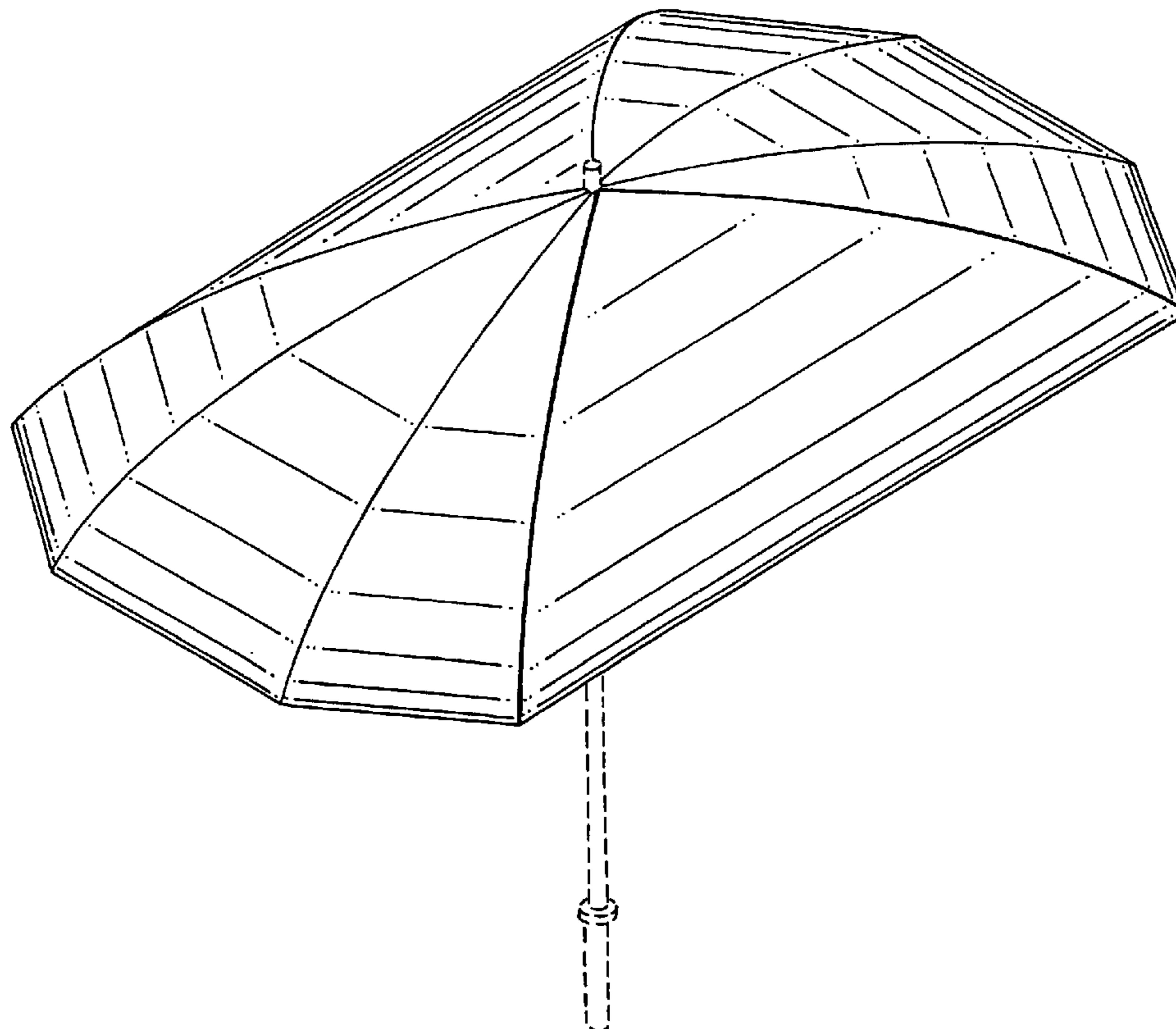
(56) **References Cited**

**U.S. PATENT DOCUMENTS**

- D56,043 S \* 8/1920 Weinberg et al. .... D3/5
- D328,182 S \* 7/1992 Lo ..... D3/5
- D411,914 S \* 7/1999 Chang ..... D3/6
- D437,024 S \* 1/2001 Glover et al. .... D21/837

The features shown in broken lines in FIGS. 1-4 are for illustrative purposes only and do not form a part of the claimed design.

**1 Claim, 4 Drawing Sheets**



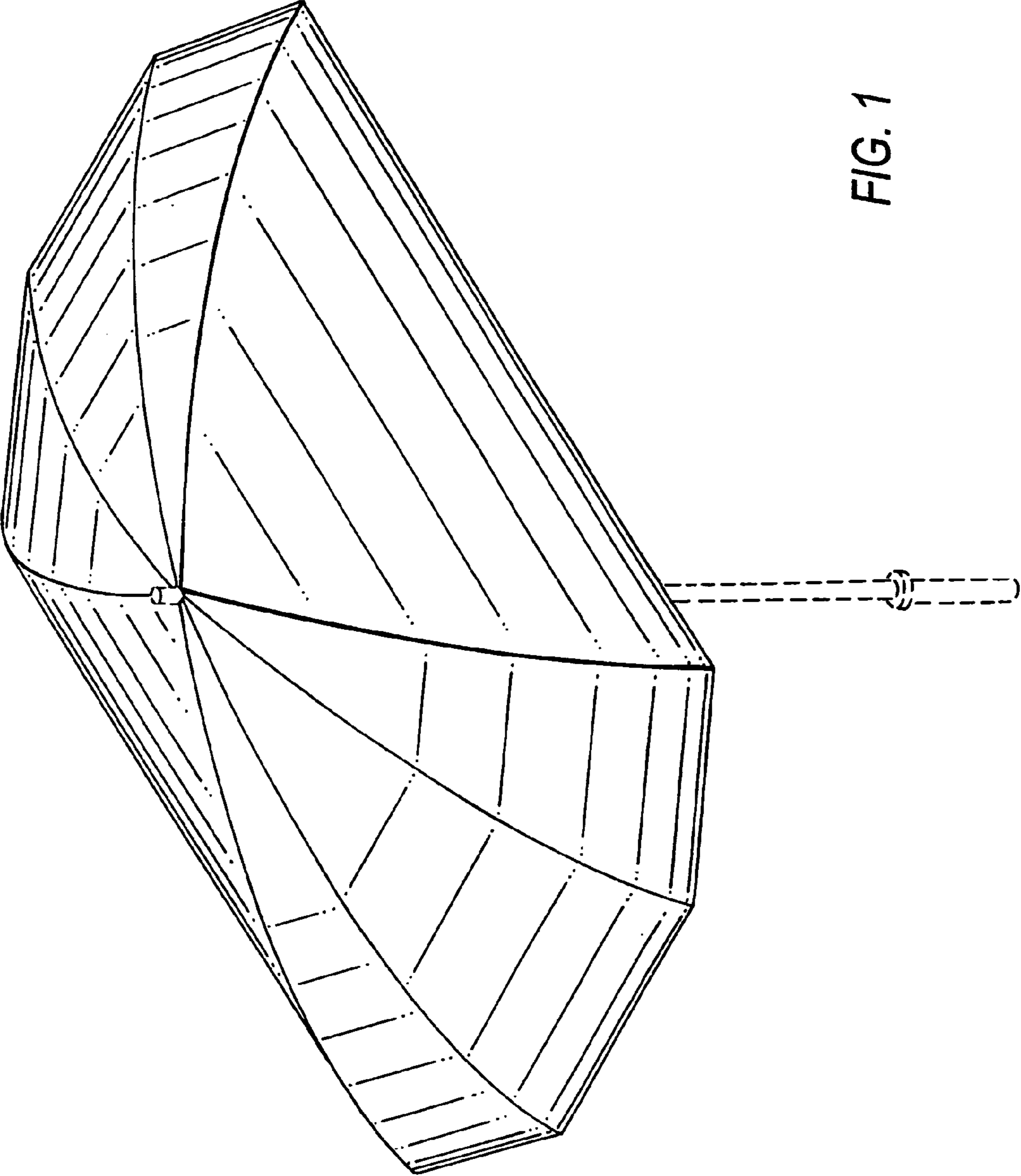


FIG. 1

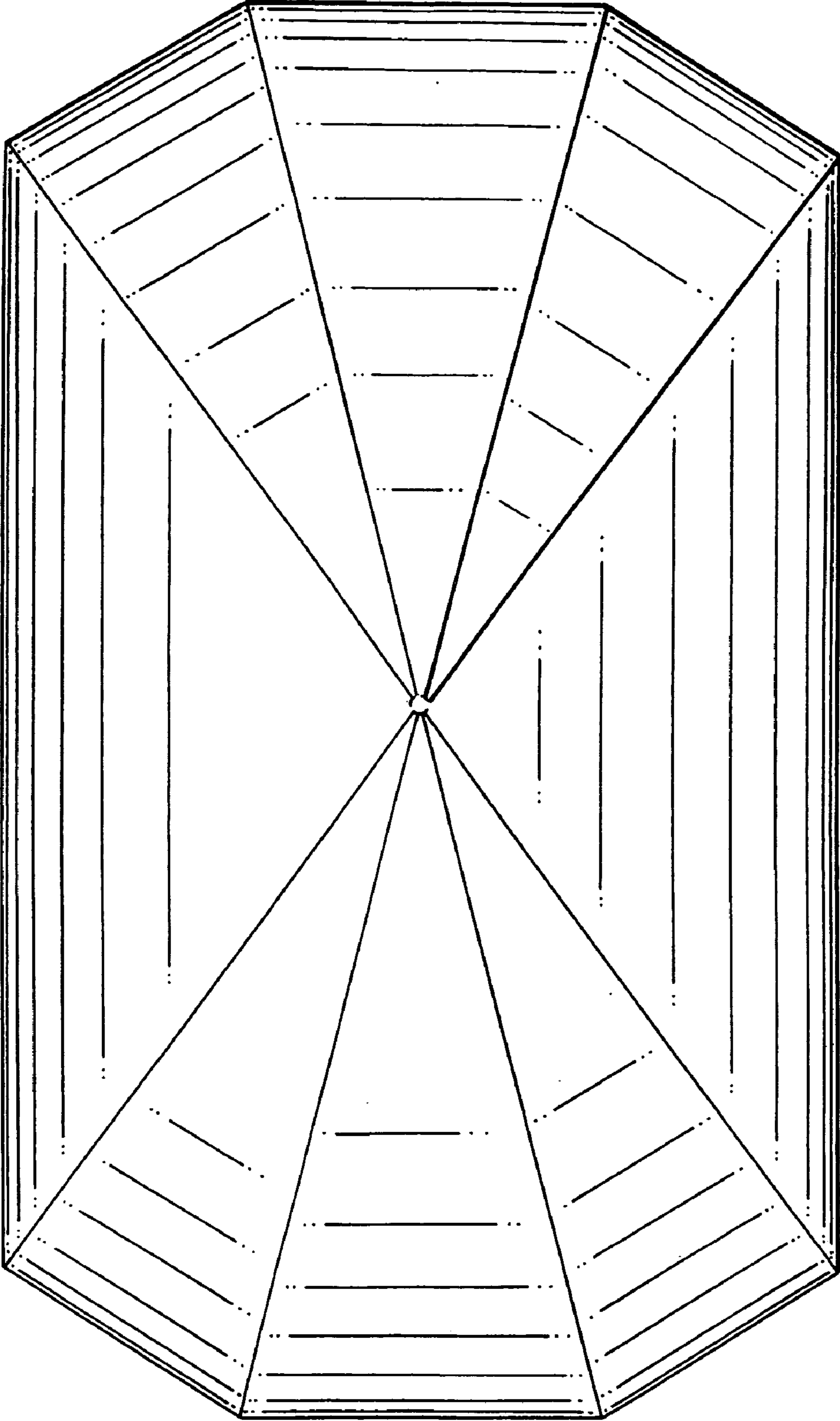


FIG. 2

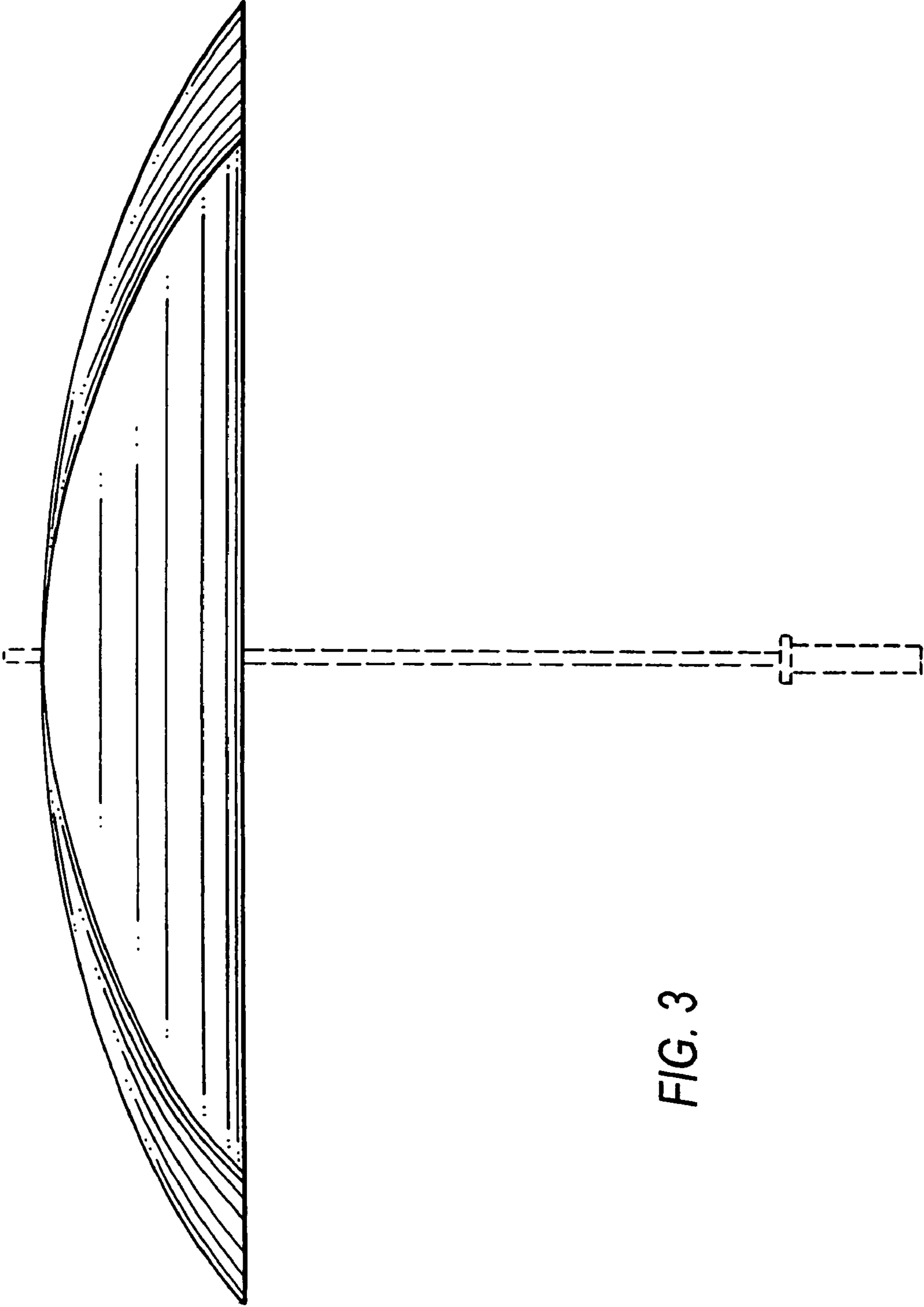


FIG. 3

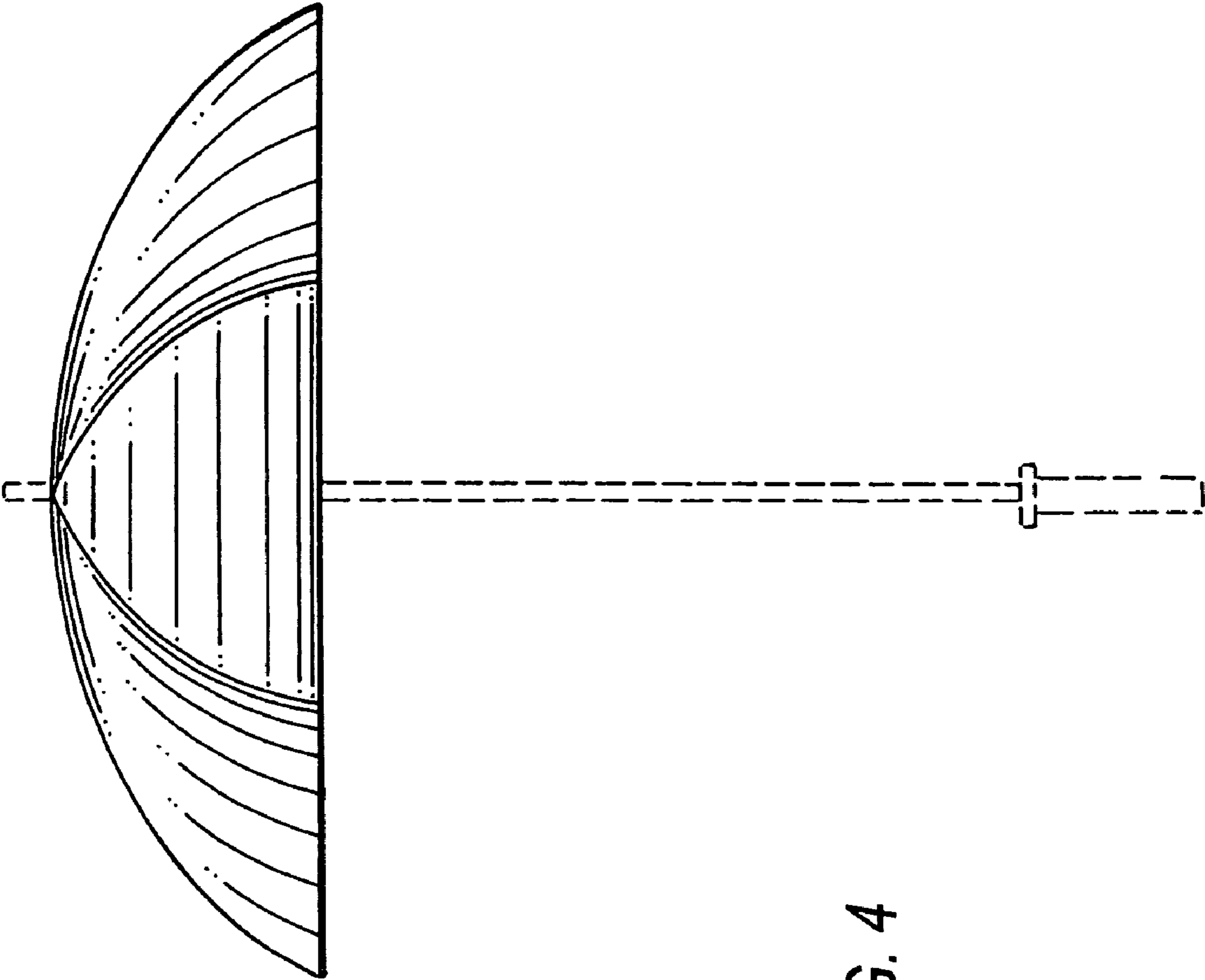


FIG. 4