

US00D548442S

(12) **United States Design Patent**
Hulbert

(10) **Patent No.:** **US D548,442 S**

(45) **Date of Patent:** **** Aug. 14, 2007**

(54) **SHOE**

(75) Inventor: **Emily Louise Hulbert**, Chesham (GB)

(73) Assignee: **Lacoste Alligator S.A.**, Geneva (CH)

(**) Term: **14 Years**

(21) Appl. No.: **29/245,460**

(22) Filed: **Dec. 21, 2005**

(30) **Foreign Application Priority Data**

Jun. 22, 2005 (CN) 2005 3 0019038

(51) **LOC (8) Cl.** **02-99**

(52) **U.S. Cl.** **D2/969**

(58) **Field of Classification Search** D2/902,
D2/906-908, 943, 944, 968, 970, 972-974;
36/45, 50.1, 77 M, 77 R, 83, 88, 113, 114,
36/126-131

See application file for complete search history.

(56) **References Cited**

U.S. PATENT DOCUMENTS

- D266,286 S * 9/1982 Vermonet D2/908
- D511,884 S * 11/2005 Hatfield D2/972
- D515,300 S * 2/2006 White et al. D2/972
- D531,792 S * 11/2006 Roulo D2/972
- D534,712 S * 1/2007 Darby, II D2/896

- D535,092 S * 1/2007 Edwards D2/969
- D535,465 S * 1/2007 Edwards D2/969
- D536,164 S * 2/2007 Wilkenfeld D2/969

* cited by examiner

Primary Examiner—Dominic Simone

(74) *Attorney, Agent, or Firm*—Fross Zelnick Lehrman & Zissu, P.C.; Charles T. J. Weigell, Esq.

(57) **CLAIM**

The ornamental design for a shoe, as shown and described.

DESCRIPTION

FIG. 1 is a front perspective view of a shoe showing my new design;

FIG. 2 is a front view of the shoe shown in FIG. 1;

FIG. 3 is a left side view of the shoe shown in FIG. 1;

FIG. 4 is a right side view of the shoe shown in FIG. 1;

FIG. 5 is a rear view of the shoe shown in FIG. 1;

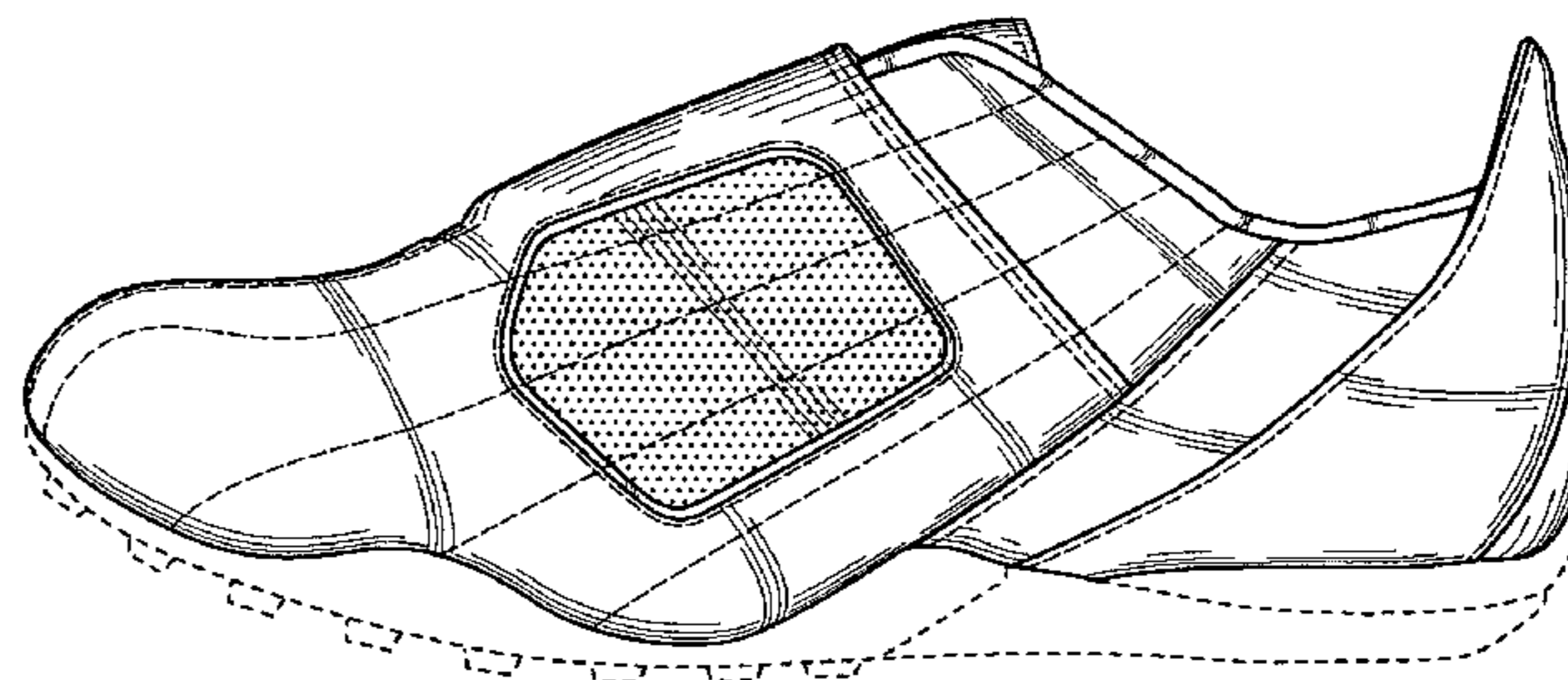
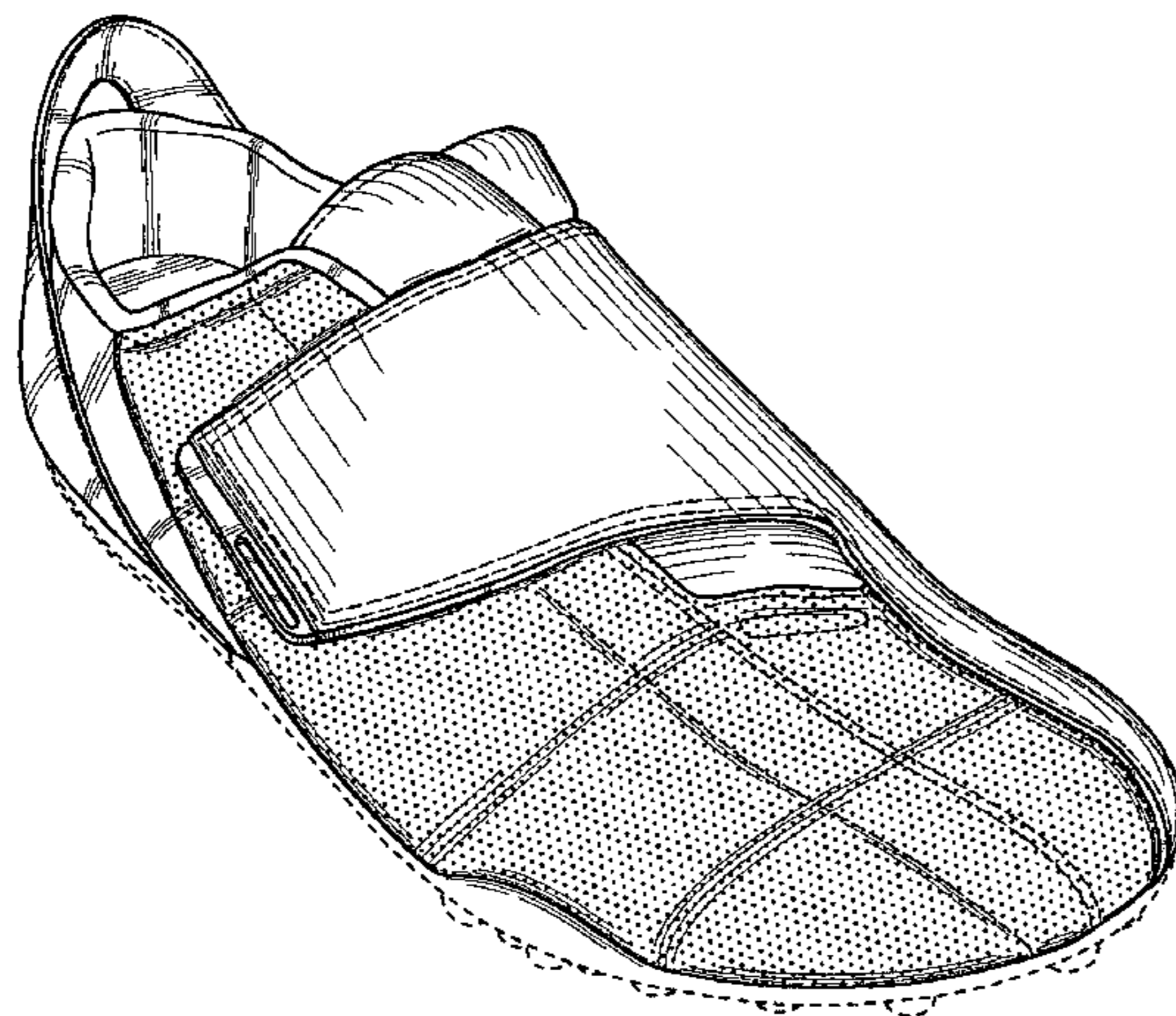
FIG. 6 is a top view of the shoe shown in FIG. 1; and,

FIG. 7 is a bottom view of the shoe shown in FIG. 1.

The broken line showing of the sole is for illustrative purposes only and forms no part of the claimed design.

The dotted lines other than those representing the sole are understood to represent stitching.

1 Claim, 7 Drawing Sheets



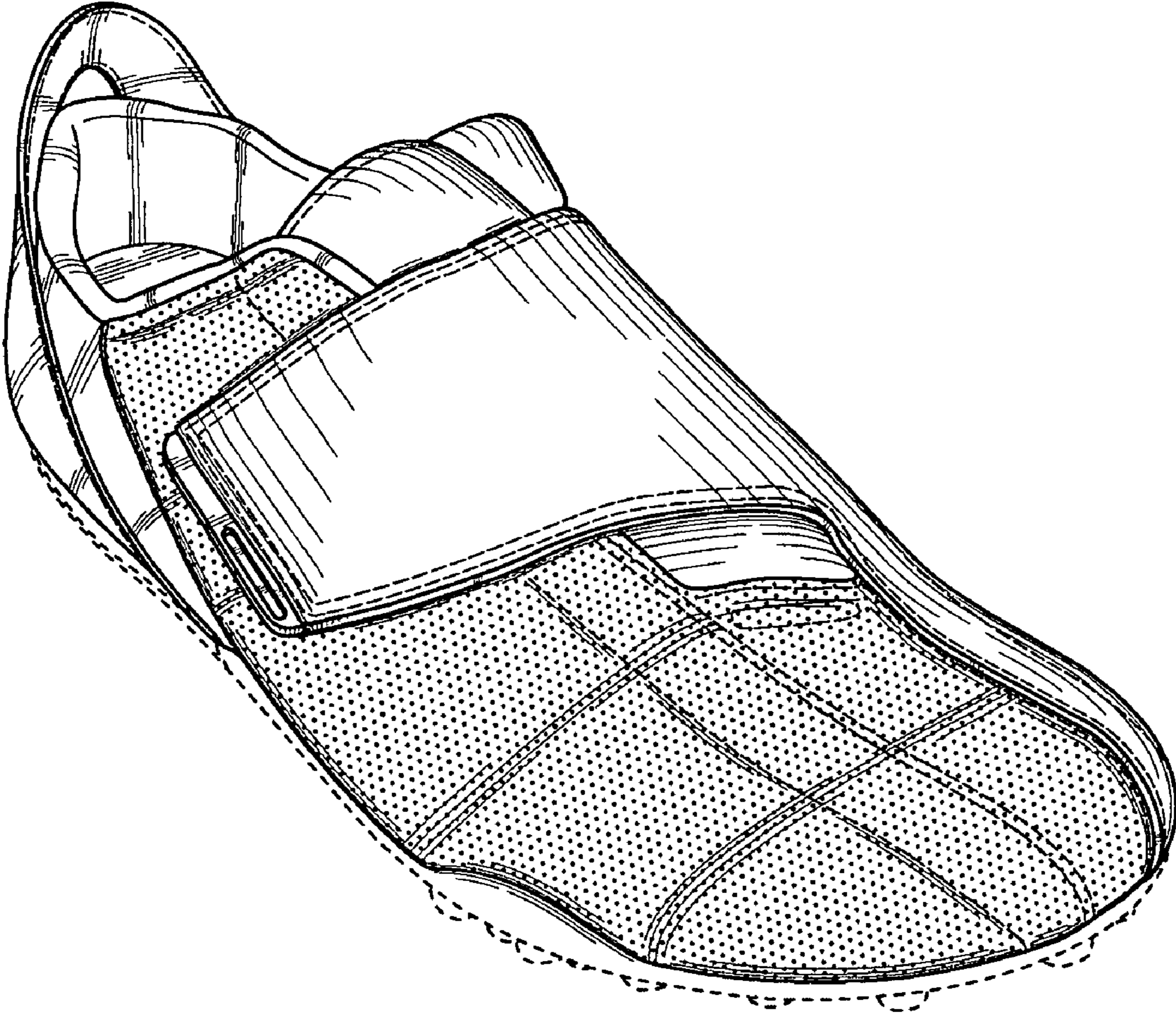


FIG. 1

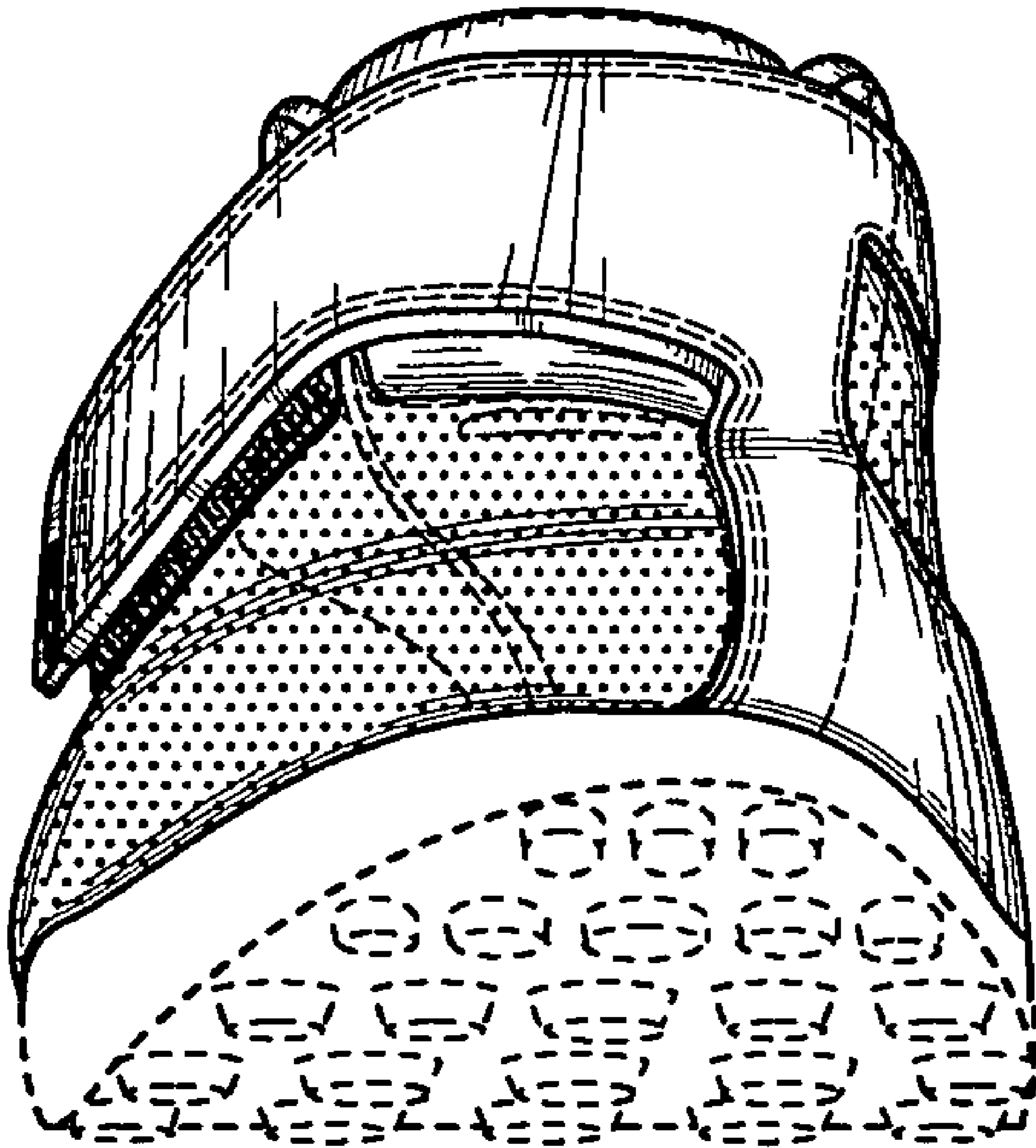


FIG. 2

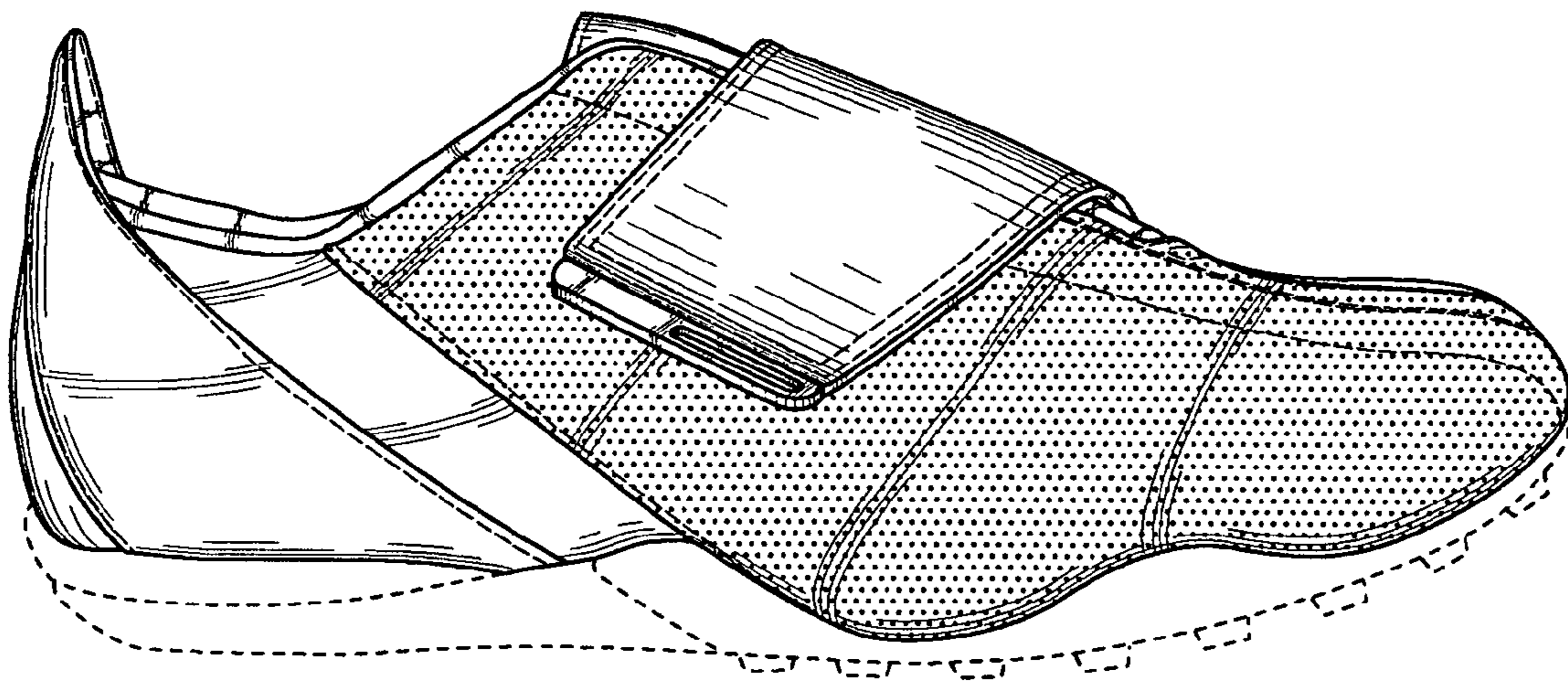


FIG. 3

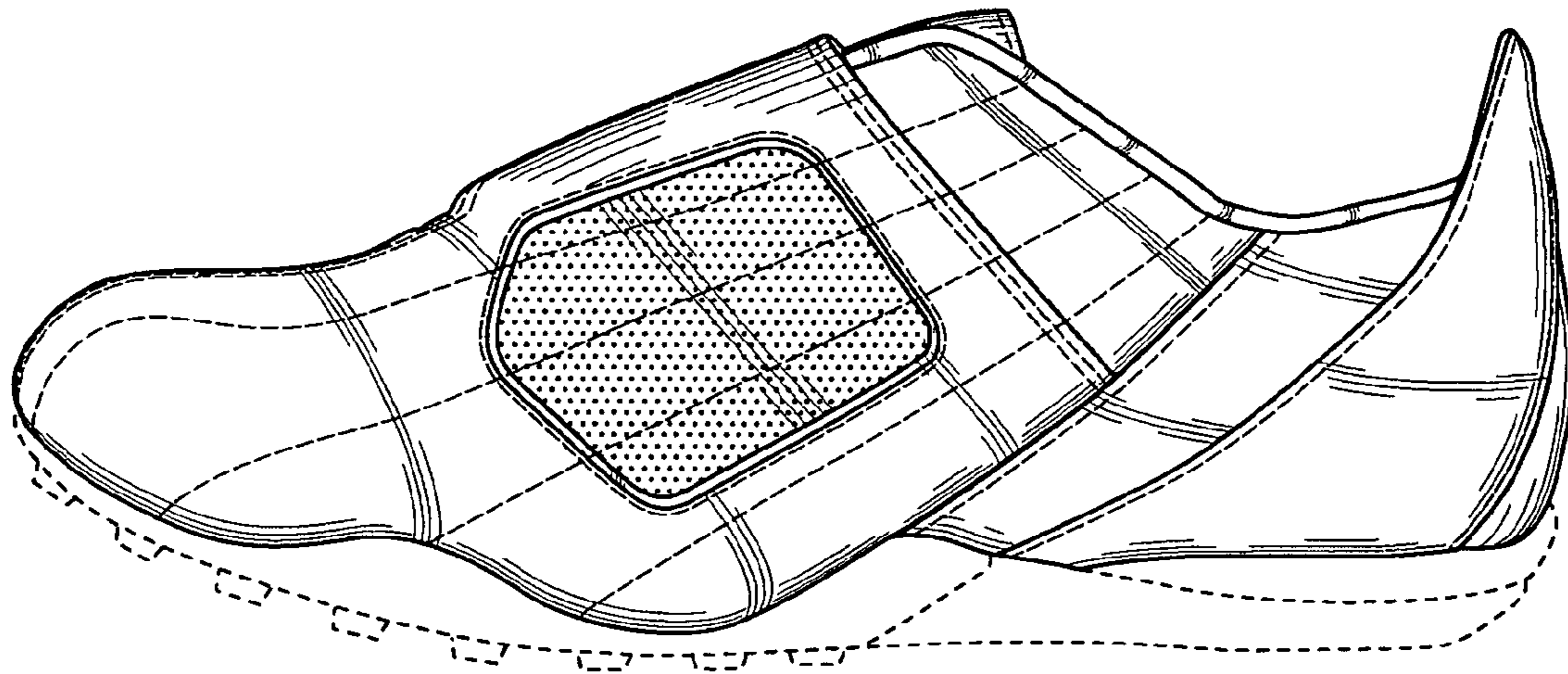


FIG. 4

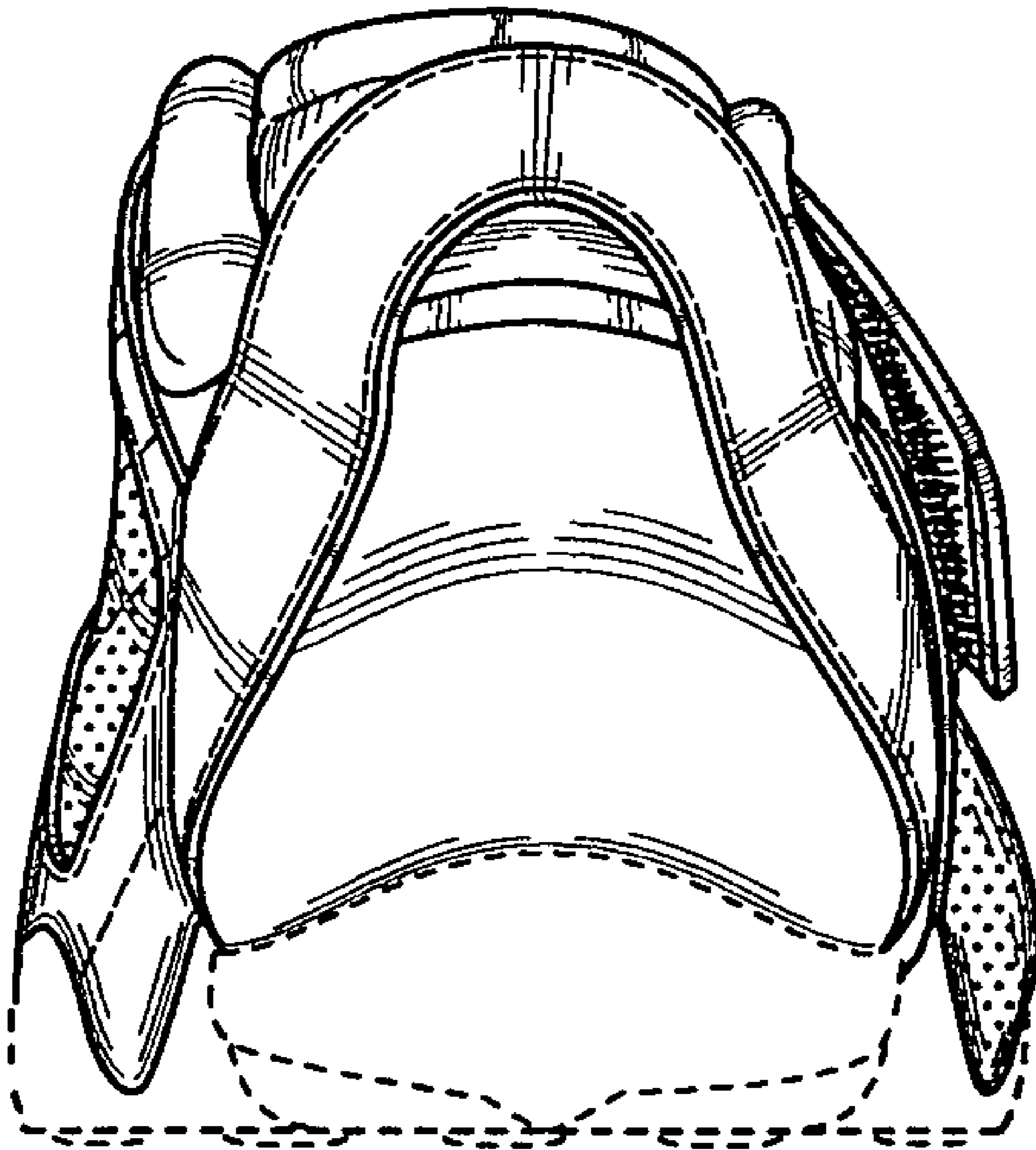


FIG. 5

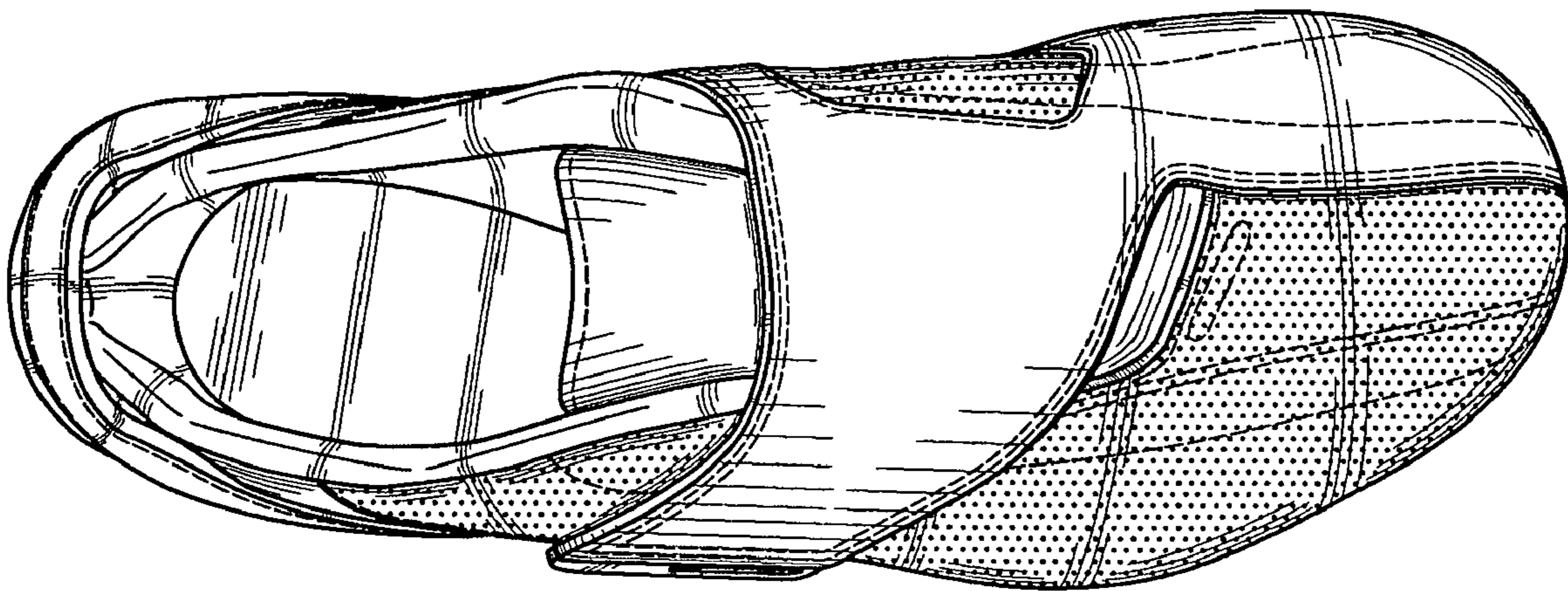


FIG. 6

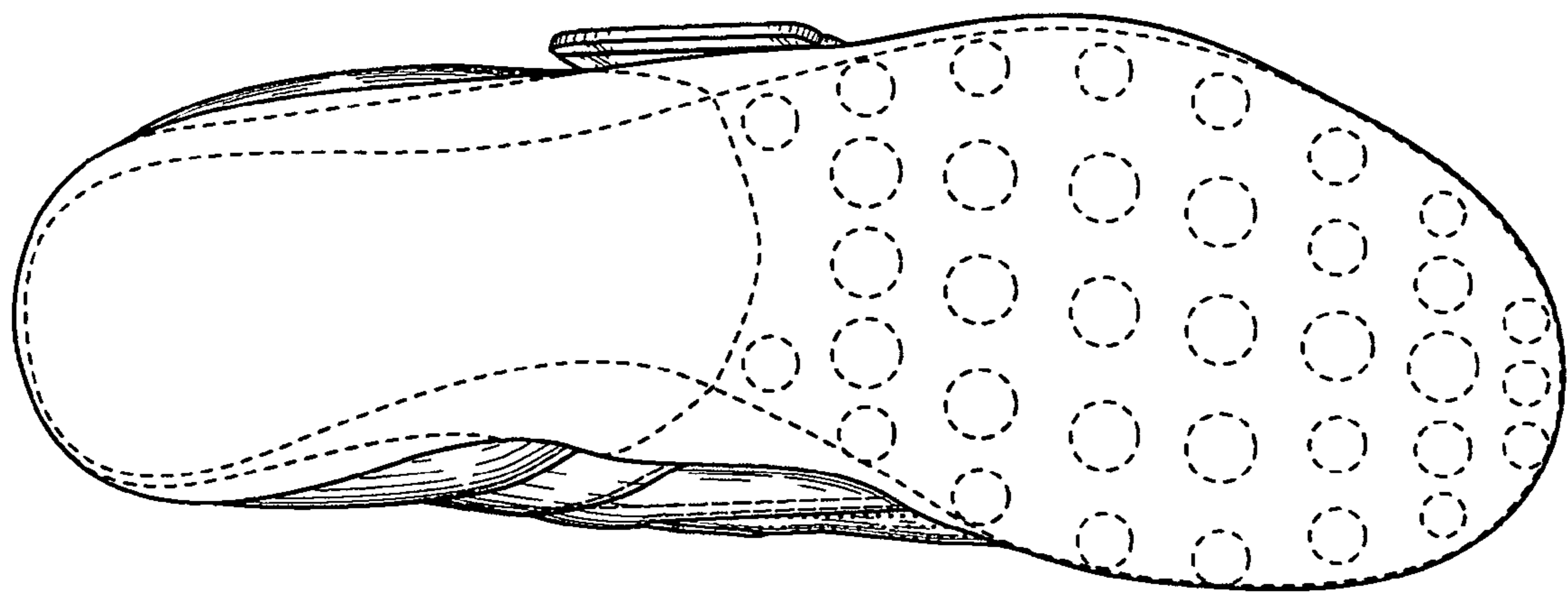


FIG. 7