



US00D548440S

(12) **United States Design Patent**
Ortley et al.

(10) **Patent No.:** **US D548,440 S**

(45) **Date of Patent:** **** Aug. 14, 2007**

(54) **GOLF SHOE SPIKE**

(75) Inventors: **David Ortley**, Encinitas, CA (US);
Gerald Kultz, Encinitas, CA (US);
Marco A. Grott, San Marcos, CA (US)

(73) Assignee: **Taylor Made Golf Company, Inc.**,
Carlsbad, CA (US)

(**) Term: **14 Years**

(21) Appl. No.: **29/237,306**

(22) Filed: **Aug. 29, 2005**

(51) **LOC (8) Cl.** **02-04**

(52) **U.S. Cl.** **D2/962**

(58) **Field of Classification Search** D2/962,
D2/906, 914, 915, 946, 969; D6/533; 36/7.7,
36/7.6, 65, 67 A, 126-129, 134
See application file for complete search history.

(56) **References Cited**

U.S. PATENT DOCUMENTS

D327,975 S	*	7/1992	Saito et al.	D2/962
D398,749 S	*	9/1998	Santos	D2/962
D401,752 S	*	12/1998	Santos et al.	D2/962
D421,175 S	*	2/2000	Singer	D2/962
D473,699 S	*	4/2003	Savoie	D2/962

OTHER PUBLICATIONS

Gyretac spike (2005) 3 pages.
Silver Tornado Spike (2005) 4 pages.
0600-904 spike (2005) 3 pages.

* cited by examiner

Primary Examiner—Stella Reid
Assistant Examiner—Rashida C. McCoy

(74) *Attorney, Agent, or Firm*—Sheppard, Mullin, Richter &
Hampton LLP

(57) **CLAIM**

The ornamental design for golf shoe spike, as shown.

DESCRIPTION

FIG. 1 is a top, front perspective view of a golf shoe spike embodying our new design.

FIG. 2 is a front elevational view thereof.

FIG. 3 is a back elevational view thereof.

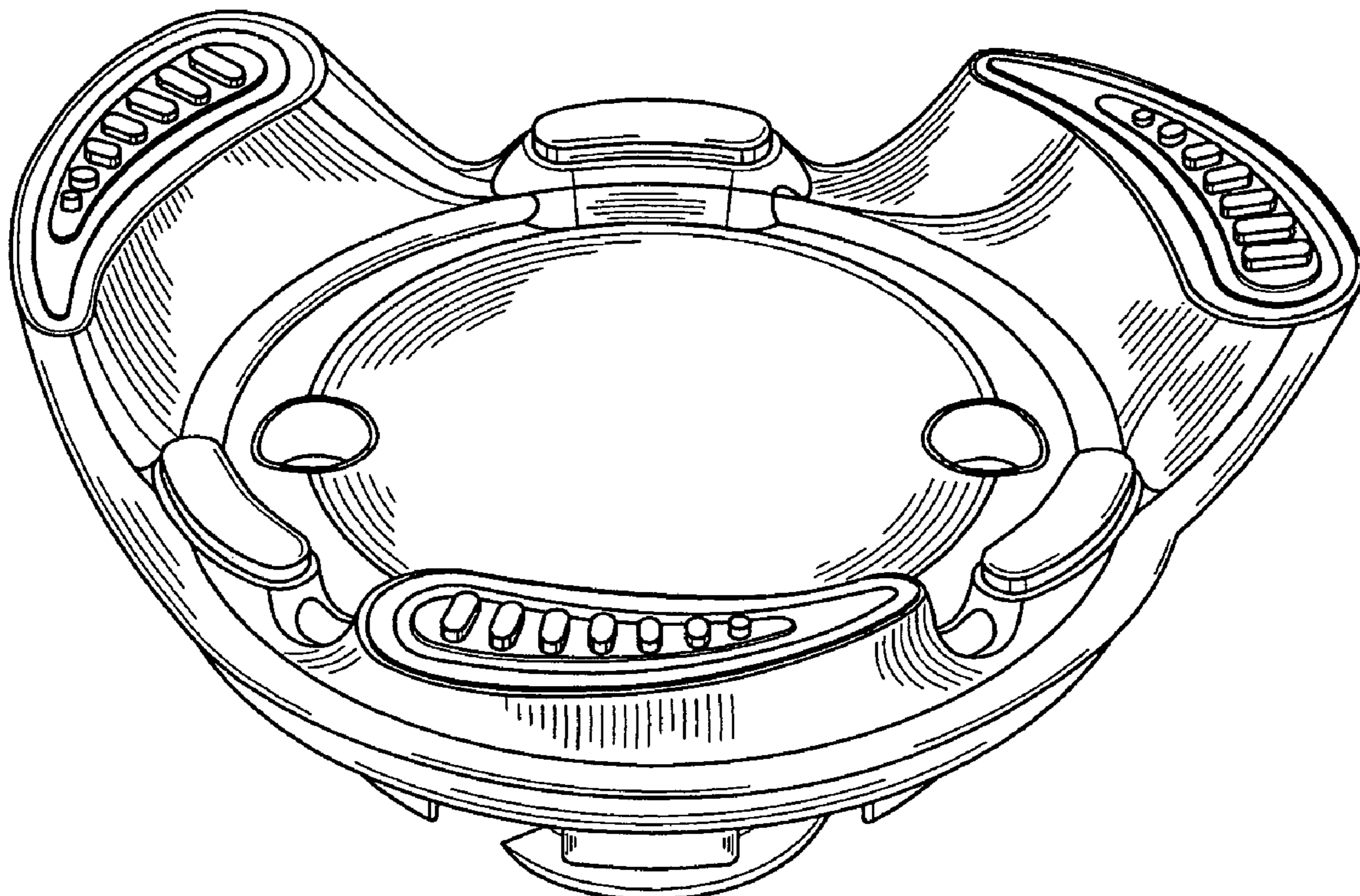
FIG. 4 is a left side elevational view thereof.

FIG. 5 is a right side elevational view thereof.

FIG. 6 is a top plan view thereof; and,

FIG. 7 is a bottom plan view thereof.

1 Claim, 4 Drawing Sheets



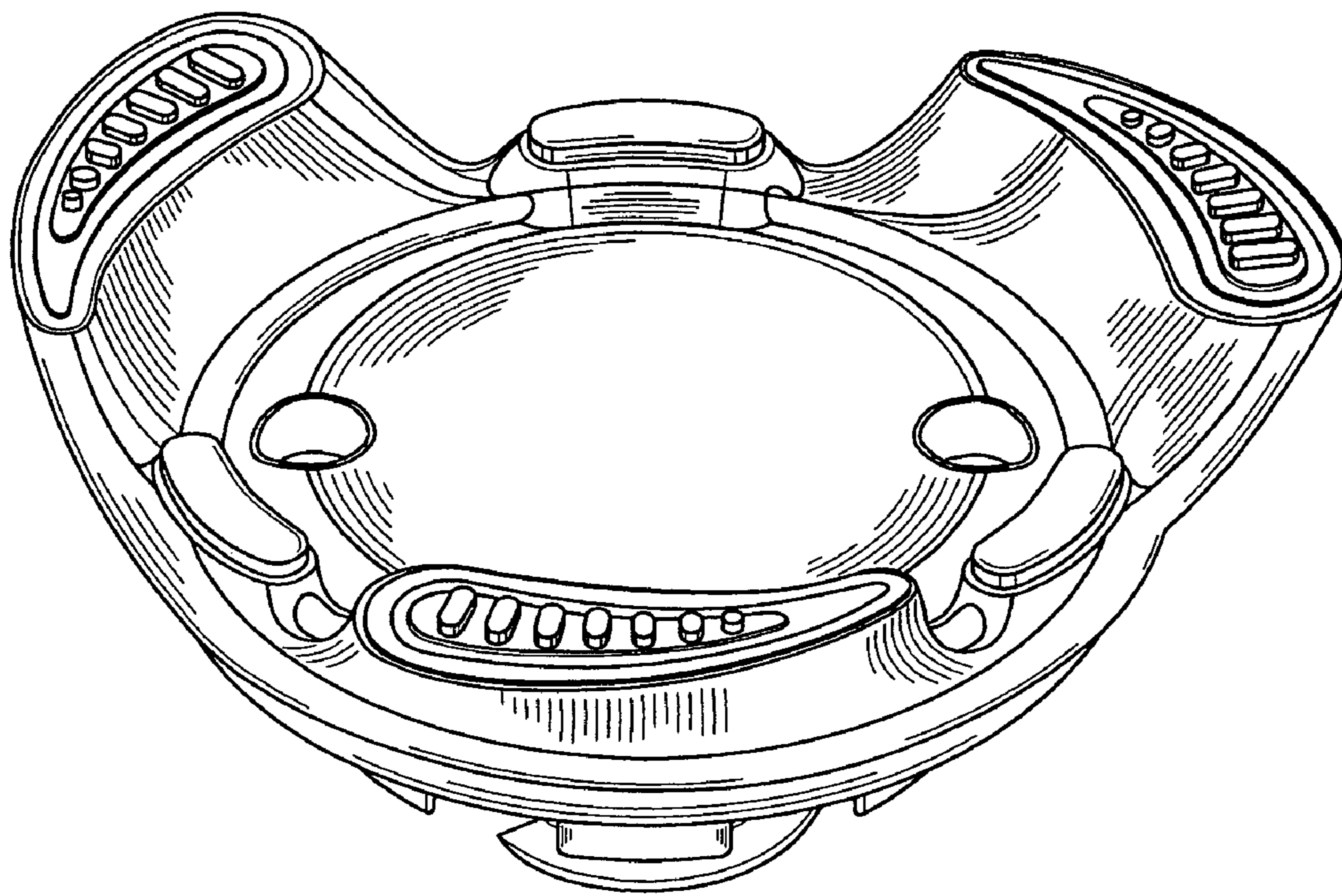


FIG. 1

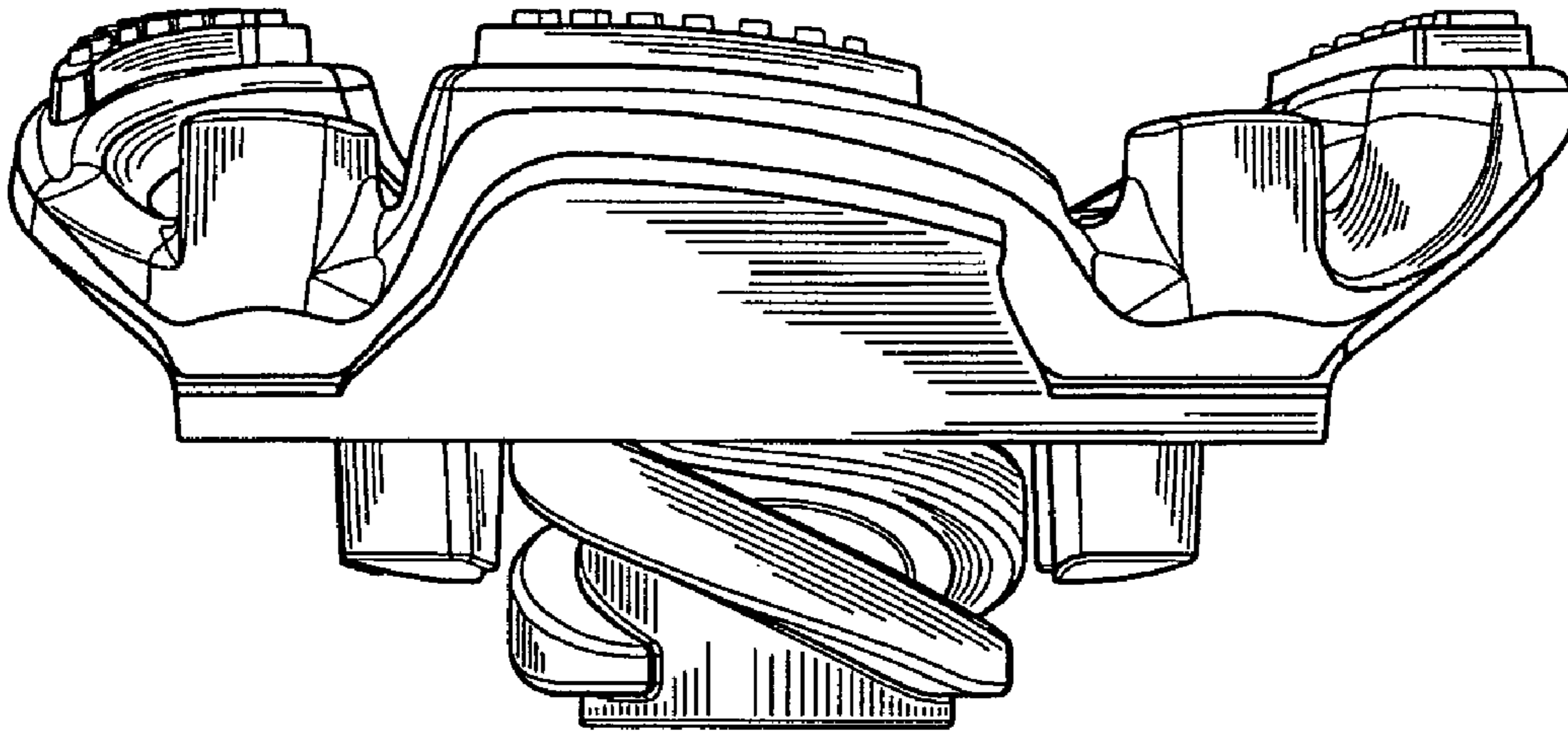


FIG. 2

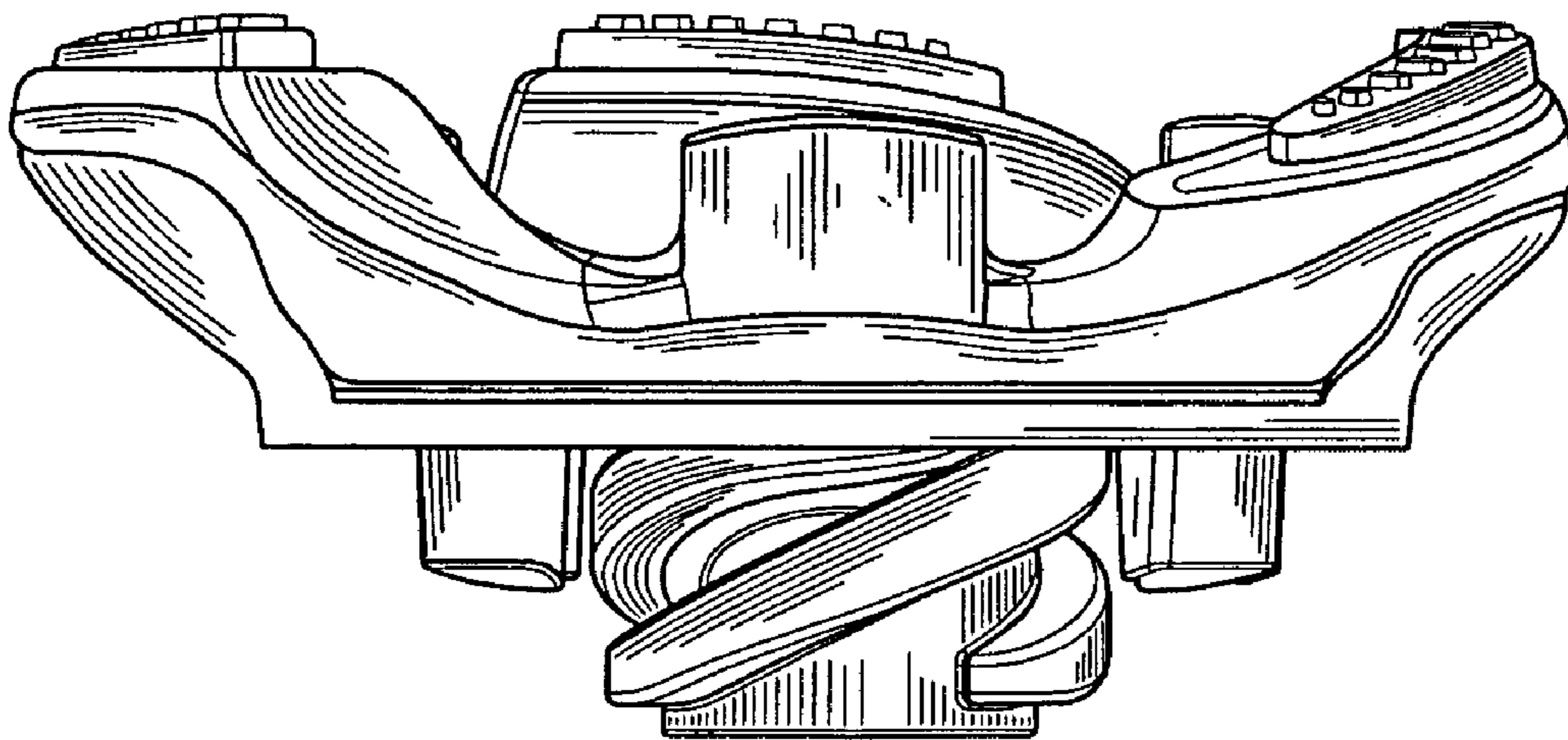


FIG. 3

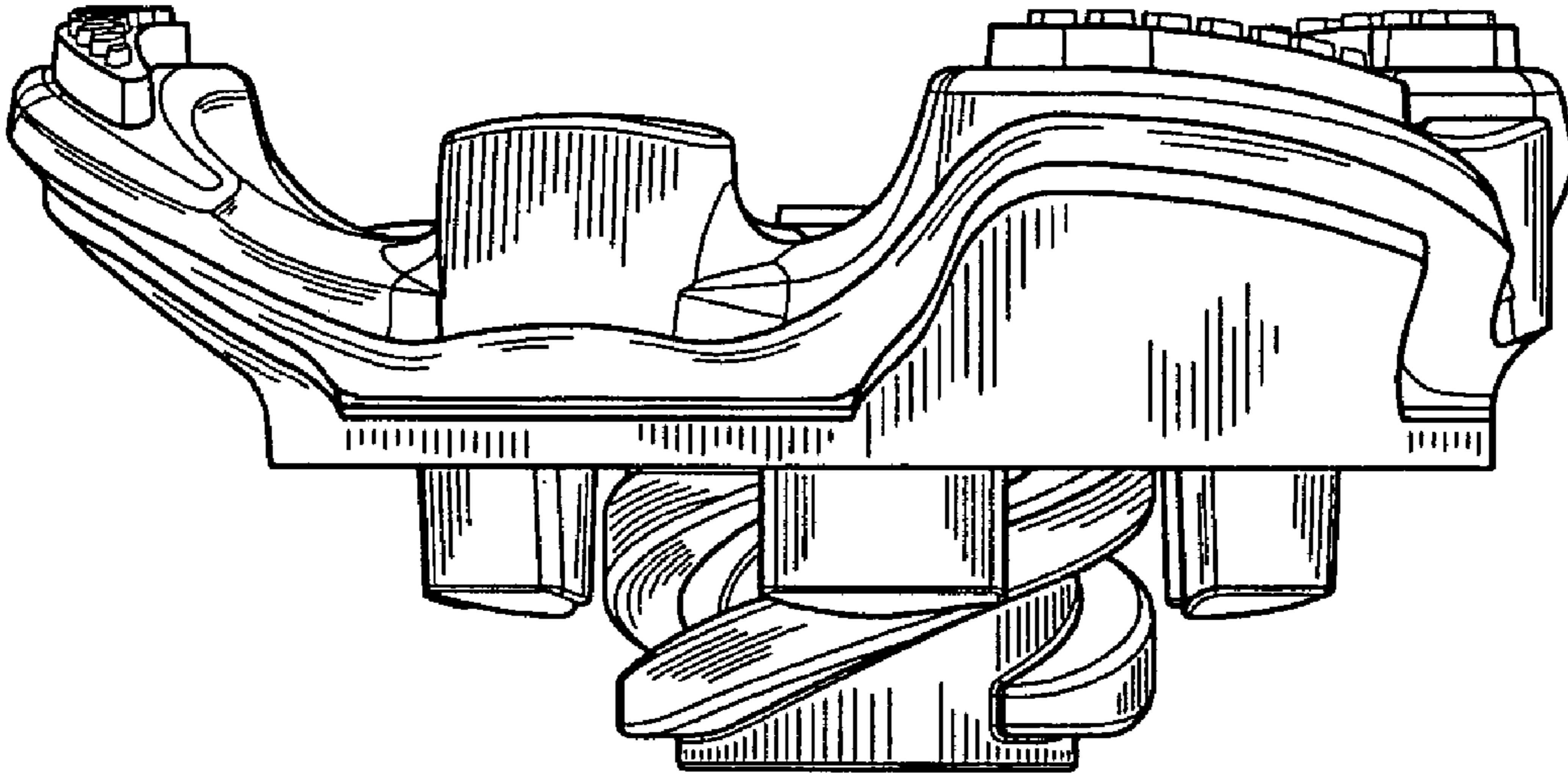


FIG. 4

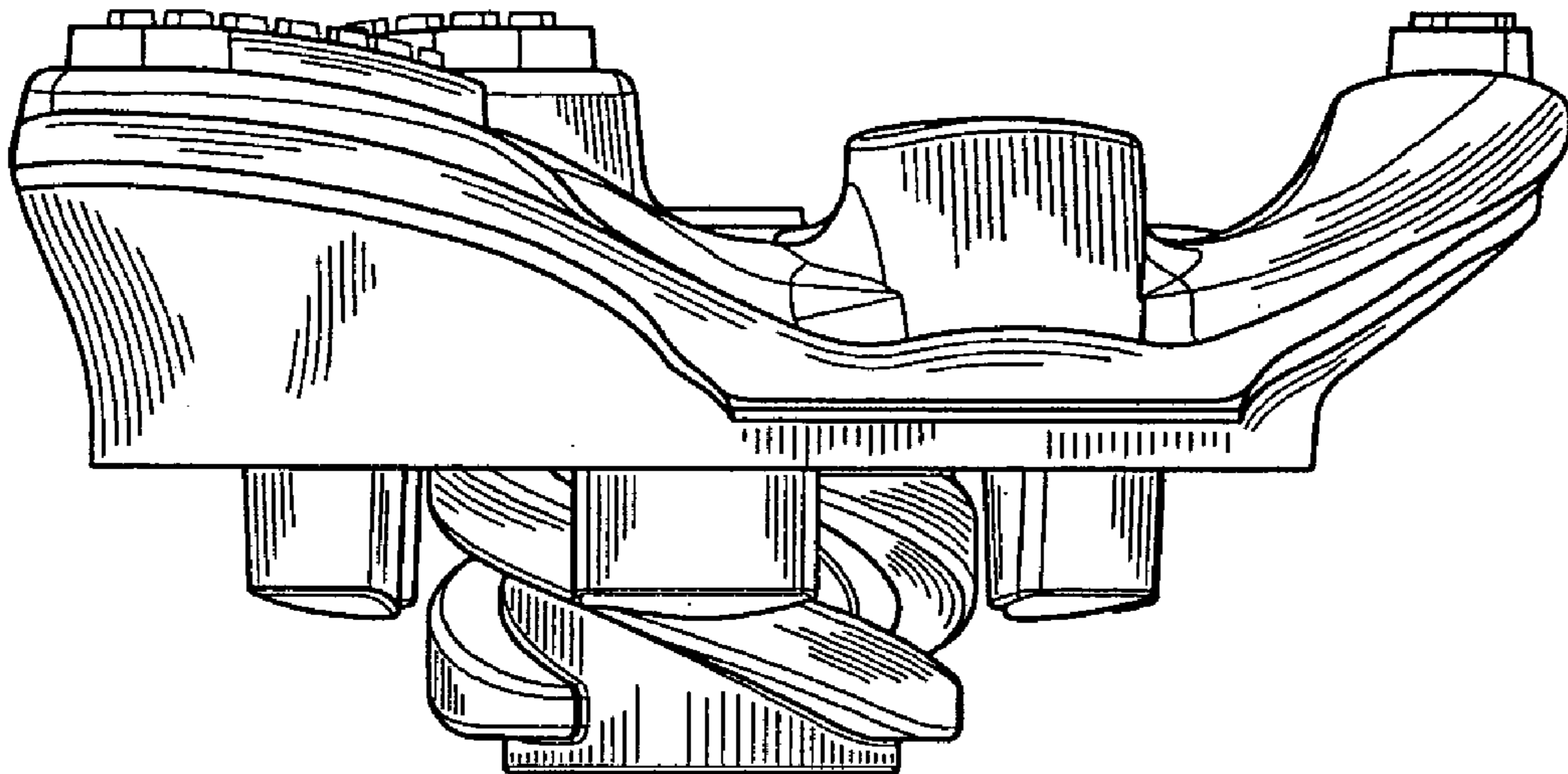


FIG. 5

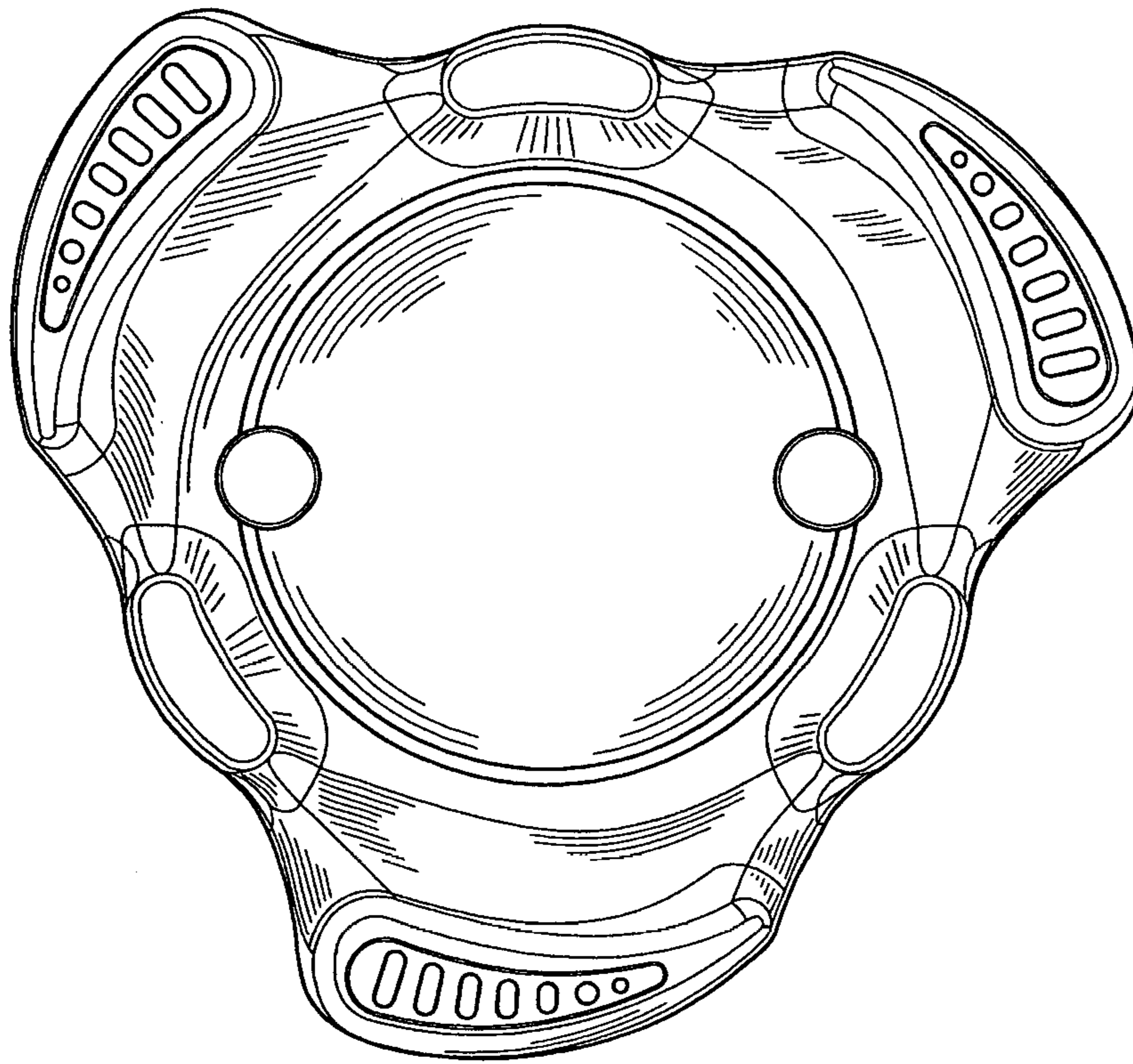


FIG. 6

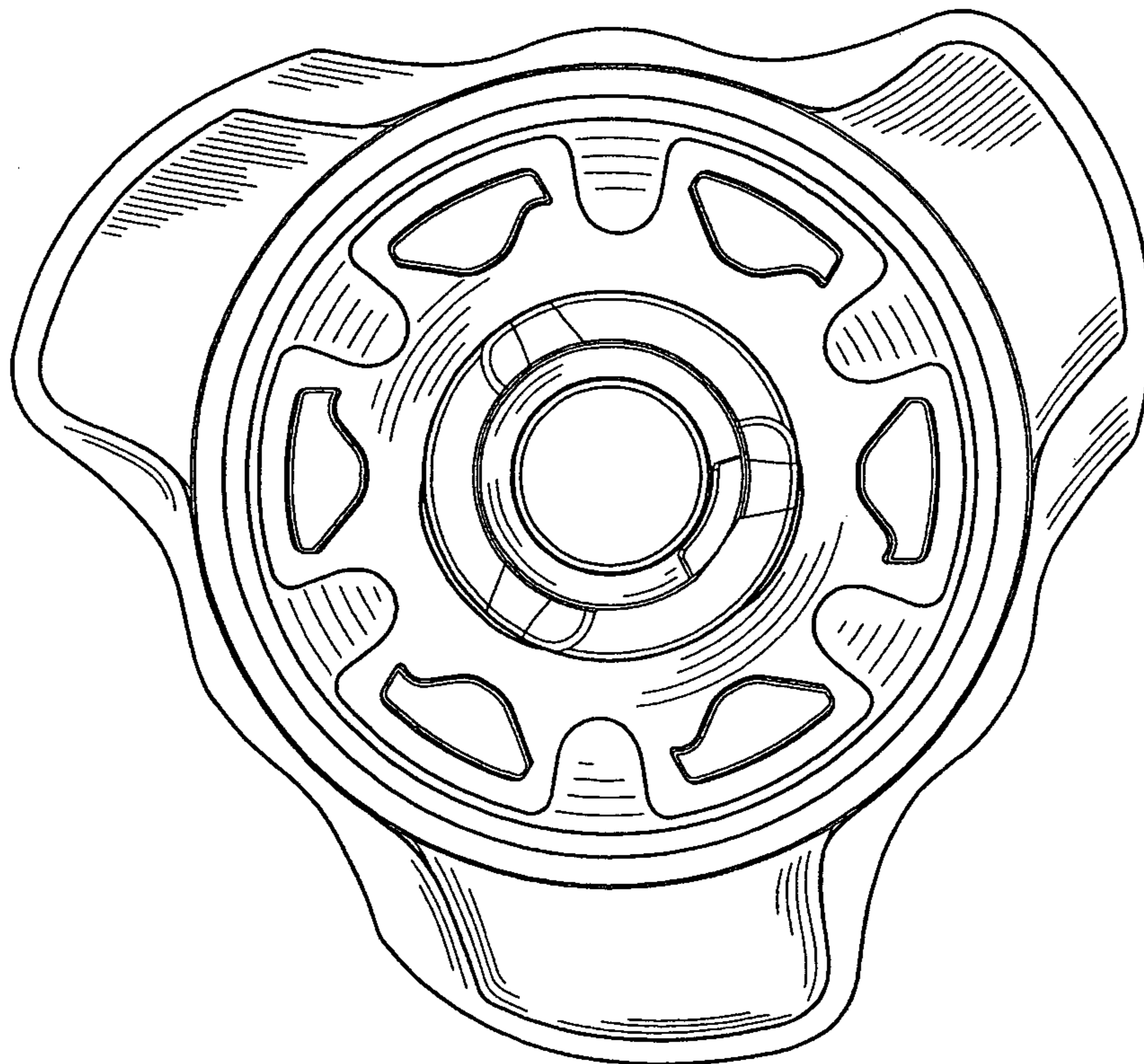


FIG. 7