



US00D548427S

(12) **United States Design Patent**
Holt

(10) **Patent No.:** **US D548,427 S**

(45) **Date of Patent:** **** Aug. 14, 2007**

(54) **SOCK DONNING ASSIST DEVICE**

(76) **Inventor:** **Cecil Holt**, 1000 Bowen's Mill Rd. SE.,
Douglas, GA (US) 31533-1399

(**) **Term:** **14 Years**

(21) **Appl. No.:** **29/250,754**

(22) **Filed:** **Nov. 30, 2006**

(51) **LOC (8) Cl.** **07-99**

(52) **U.S. Cl.** **D2/641; D2/642**

(58) **Field of Classification Search** D2/641,
D2/642; D7/690; 223/111, 112, 113, 114,
223/115, 118, 119, 120

See application file for complete search history.

(56) **References Cited**

U.S. PATENT DOCUMENTS

2,443,115	A *	6/1948	Park	223/111
2,982,453	A *	5/1961	Zicarelli	223/112
3,070,271	A *	12/1962	Kennedy, Sr.	223/111
3,227,335	A *	1/1966	Minnema et al.	223/111
3,715,065	A *	2/1973	Peck	223/111
4,066,194	A	1/1978	Leland		
4,284,216	A *	8/1981	Leland	223/111
D337,881	S *	8/1993	Peeler	D2/641
5,626,269	A *	5/1997	Duarte	223/112

5,630,534	A *	5/1997	Maier et al.	223/112
5,924,610	A *	7/1999	Willemin	223/112
D413,707	S *	9/1999	Gaskins et al.	D2/641
6,276,578	B1 *	8/2001	Stenger	223/112
2006/0027612	A1 *	2/2006	Boaron	223/111

* cited by examiner

Primary Examiner—Stella Reid

Assistant Examiner—Elizabeth J. Oswecki

(74) *Attorney, Agent, or Firm*—Brian D. Bellamy

(57) **CLAIM**

The ornamental design for a sock donning assist device, as shown.

DESCRIPTION

FIG. 1 is a perspective view of a sock donning assist device showing my new design;

FIG. 2 is a side elevation view, the opposite side being a mirror image thereof;

FIG. 3 is a front elevation view thereof;

FIG. 4 is a rear elevation view thereof;

FIG. 5 is a top elevation view thereof; and,

FIG. 6 is a bottom elevation view thereof.

1 Claim, 3 Drawing Sheets

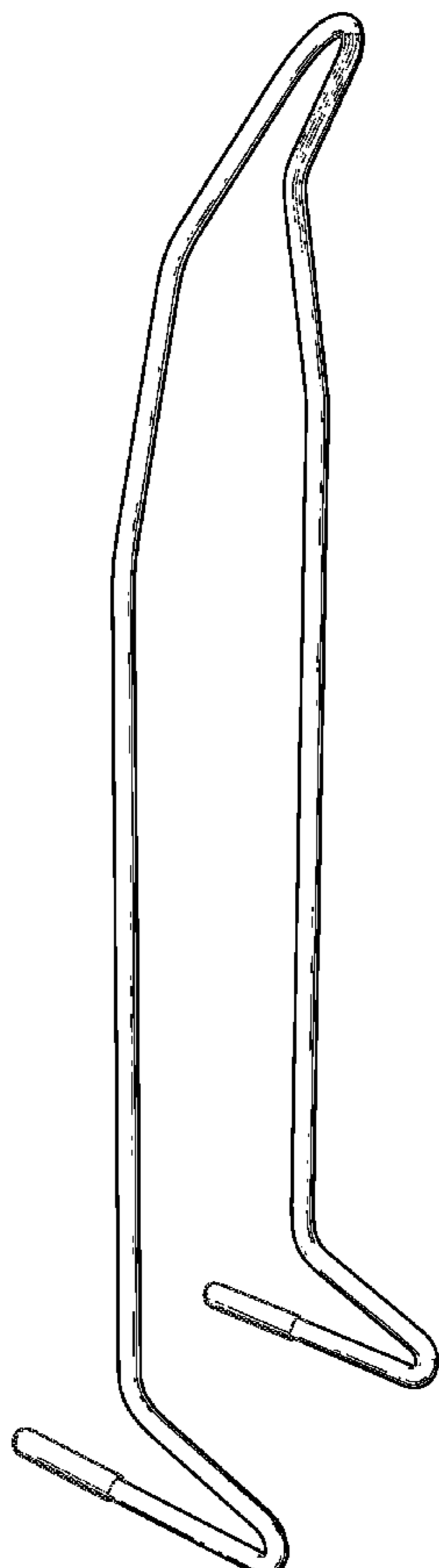


Fig. 1

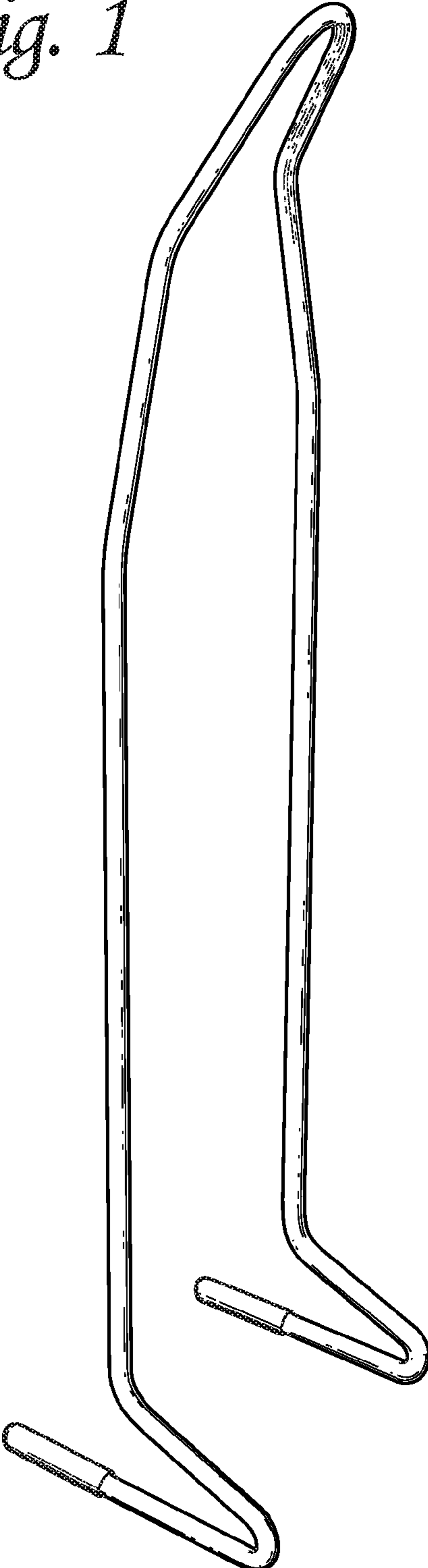


Fig. 2

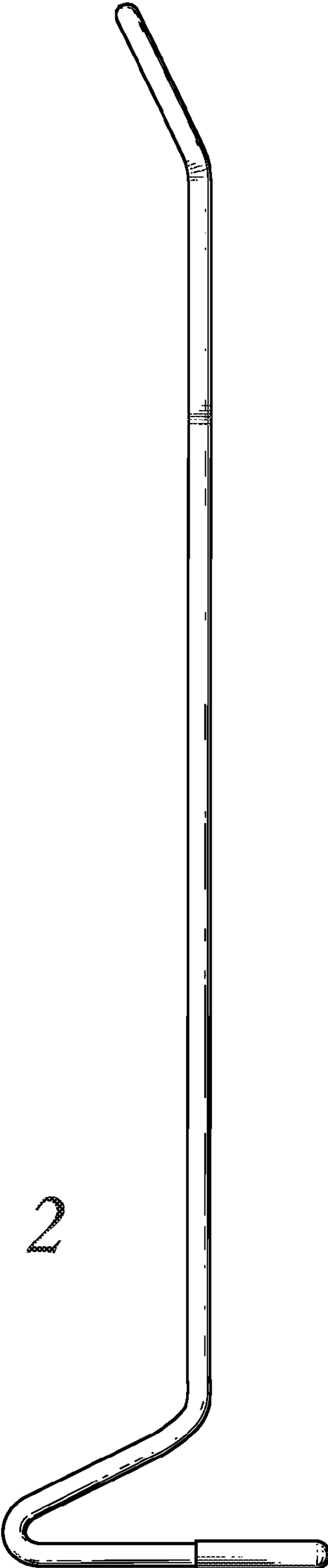


Fig. 3

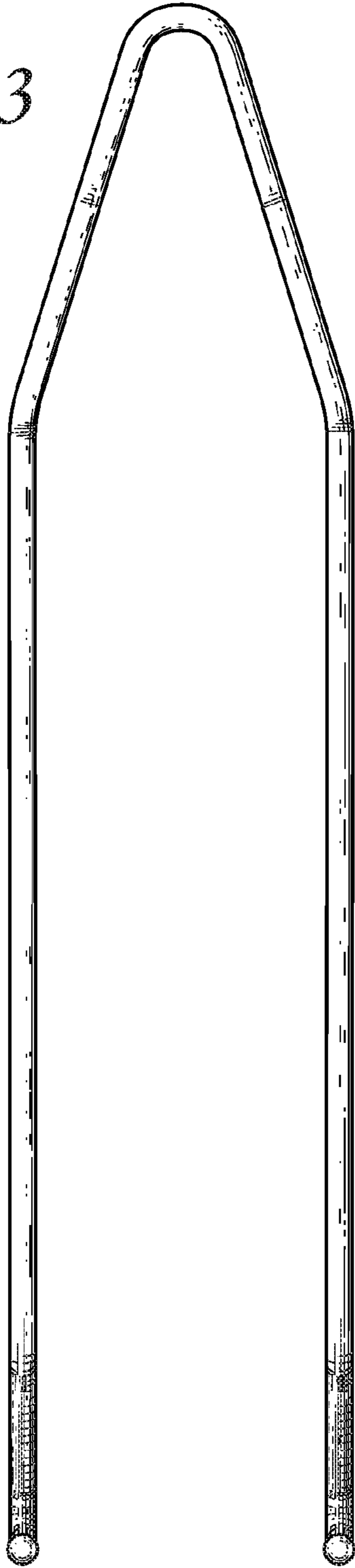


Fig. 4

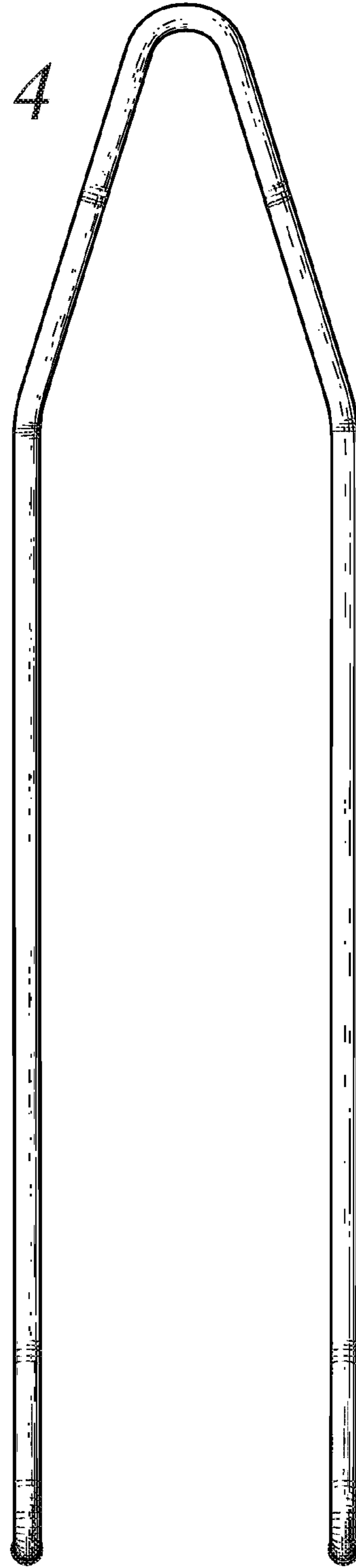


Fig. 5

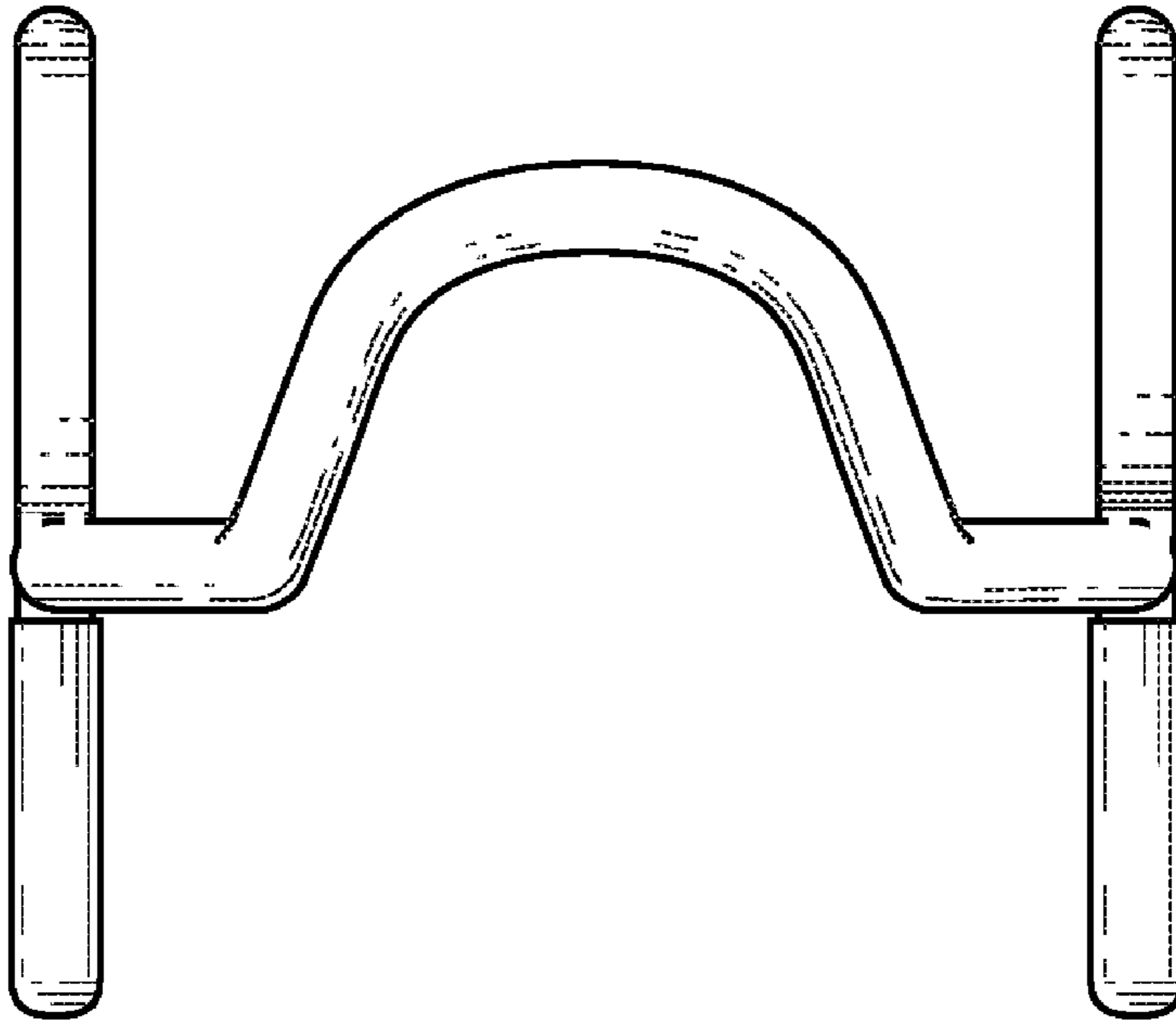


Fig. 6

