



US00D548422S

(12) **United States Design Patent**  
**Lee et al.**

(10) **Patent No.:** **US D548,422 S**  
(45) **Date of Patent:** **\*\* Aug. 7, 2007**

(54) **SLOPE ADJUSTABLE HEAD FOR PEDESTAL JACK**

(76) Inventors: **Alan Sian Ghee Lee**, 21 Almond Crescent, Singapore (SG) 677779;  
**Henry Austen Greaves**, 15 Edmund St., Queens Park, NSW 2022 (AU)

(\*\*) Term: **14 Years**

(21) Appl. No.: **29/258,704**

(22) Filed: **Apr. 26, 2006**

(30) **Foreign Application Priority Data**

Oct. 28, 2005 (AU) ..... 200514780

(51) **LOC (8) Cl.** ..... **12-05**

(52) **U.S. Cl.** ..... **D34/35; D34/31**

(58) **Field of Classification Search** ..... D34/31,  
D34/35; 254/93 R, 1, 18 R, 2 R, 11, 12,  
254/13, DIG. 8, 133 R; D12/197; D13/183  
See application file for complete search history.

(56) **References Cited**

**U.S. PATENT DOCUMENTS**

D312,442 S \* 11/1990 Whitley, II ..... D12/197

(Continued)

*Primary Examiner*—Cynthia E. Ramirez

(74) *Attorney, Agent, or Firm*—Mark Montague; Cowan, Liebowitz & Latman, P.C.

(57) **CLAIM**

The ornamental design for a slope adjustable head for pedestal jack, as shown and described.

**DESCRIPTION**

FIG. 1 is a top perspective view of the slope adjustable head for pedestal jack of the present invention;

FIG. 2 is a bottom perspective view thereof;

FIG. 3 is a top plan view thereof;

FIG. 4 is a bottom plan view thereof;

FIG. 5 is a front elevational view thereof;

FIG. 6 is a rear elevational view thereof;

FIG. 7 is a right side elevational view thereof;

FIG. 8 is a left side elevational view thereof;

FIG. 9 is a top perspective view showing first and second components of the slope adjustable head for pedestal jack in a separated position;

FIG. 10 is a bottom perspective view thereof;

FIG. 11 is a top perspective view of the first component of the slope adjustable head for pedestal jack of the present invention;

FIG. 12 is a bottom perspective view thereof;

FIG. 13 is a top plan view thereof;

FIG. 14 is a bottom plan view thereof;

FIG. 15 is a front elevational view thereof;

FIG. 16 is a rear elevational view thereof;

FIG. 17 is a right side elevational view thereof;

FIG. 18 is a left side elevational view thereof;

FIG. 19 is a top perspective view of the second component of the slope adjustable head for pedestal jack of the present invention;

FIG. 20 is a bottom perspective view thereof;

FIG. 21 is a top plan view thereof;

FIG. 22 is a bottom plan view thereof;

FIG. 23 is a front elevational view thereof;

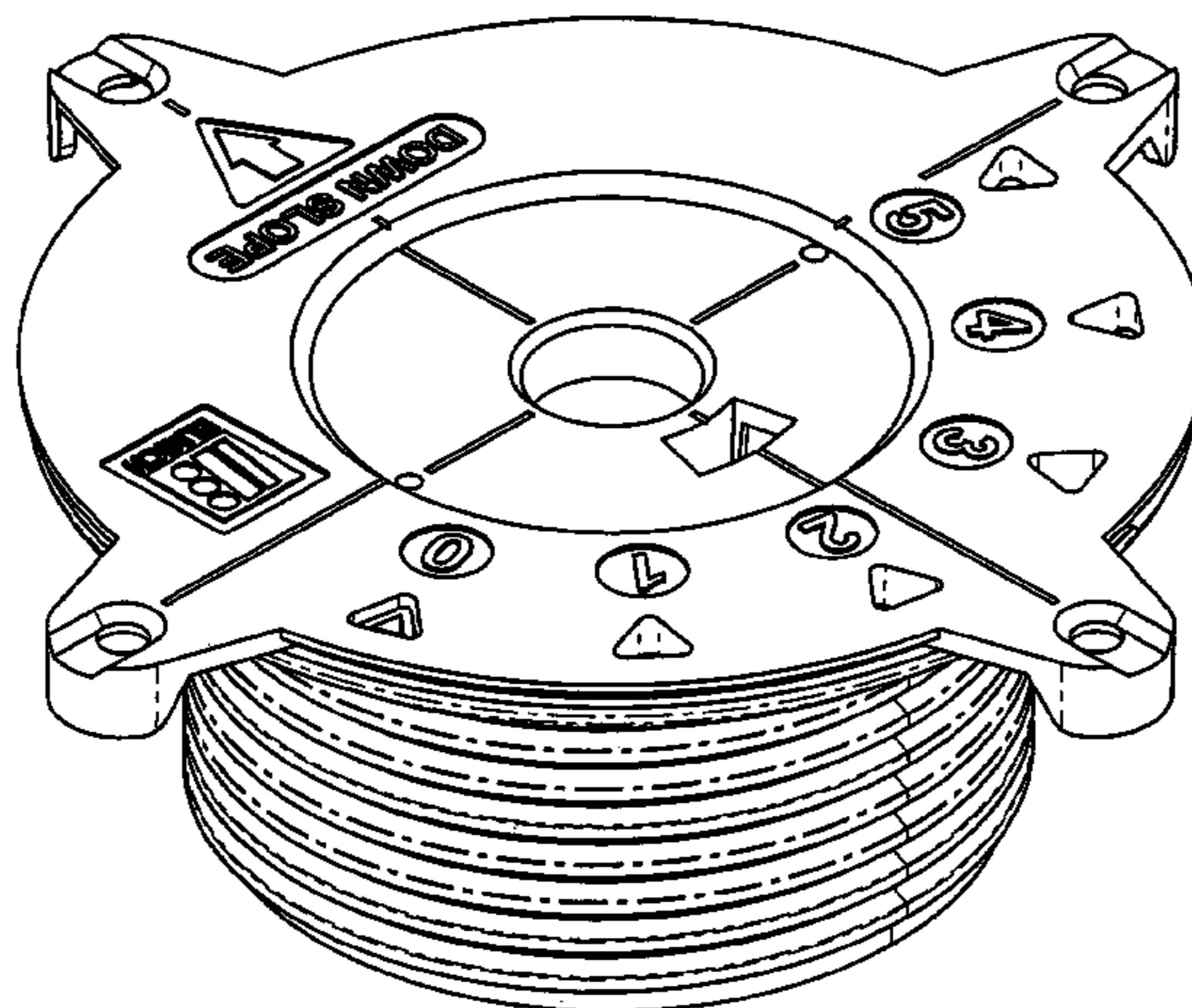
FIG. 24 is a rear elevational view thereof;

FIG. 25 is a right side elevational view thereof; and,

FIG. 26 is a left side elevational view thereof.

The second component is not shown in FIGS. 11 through 18 and the first component is not shown in FIGS. 19 through 26 for convenience of illustration.

**1 Claim, 26 Drawing Sheets**



# US D548,422 S

Page 2

---

## U.S. PATENT DOCUMENTS

|            |   |         |                    |        |            |   |         |                       |         |
|------------|---|---------|--------------------|--------|------------|---|---------|-----------------------|---------|
| D331,064 S | * | 11/1992 | Wilson et al. .... | D15/5  | D431,512 S | * | 10/2000 | Pink .....            | D12/197 |
| D341,016 S | * | 11/1993 | Wada et al. ....   | D34/35 | D443,747 S | * | 6/2001  | Ridge .....           | D34/31  |
| D347,920 S | * | 6/1994  | Sell .....         | D34/35 | D509,039 S | * | 8/2005  | Peschmann et al. .... | D34/31  |
| D425,281 S | * | 5/2000  | Ridge .....        | D34/31 |            |   |         |                       |         |

\* cited by examiner

Figure 1

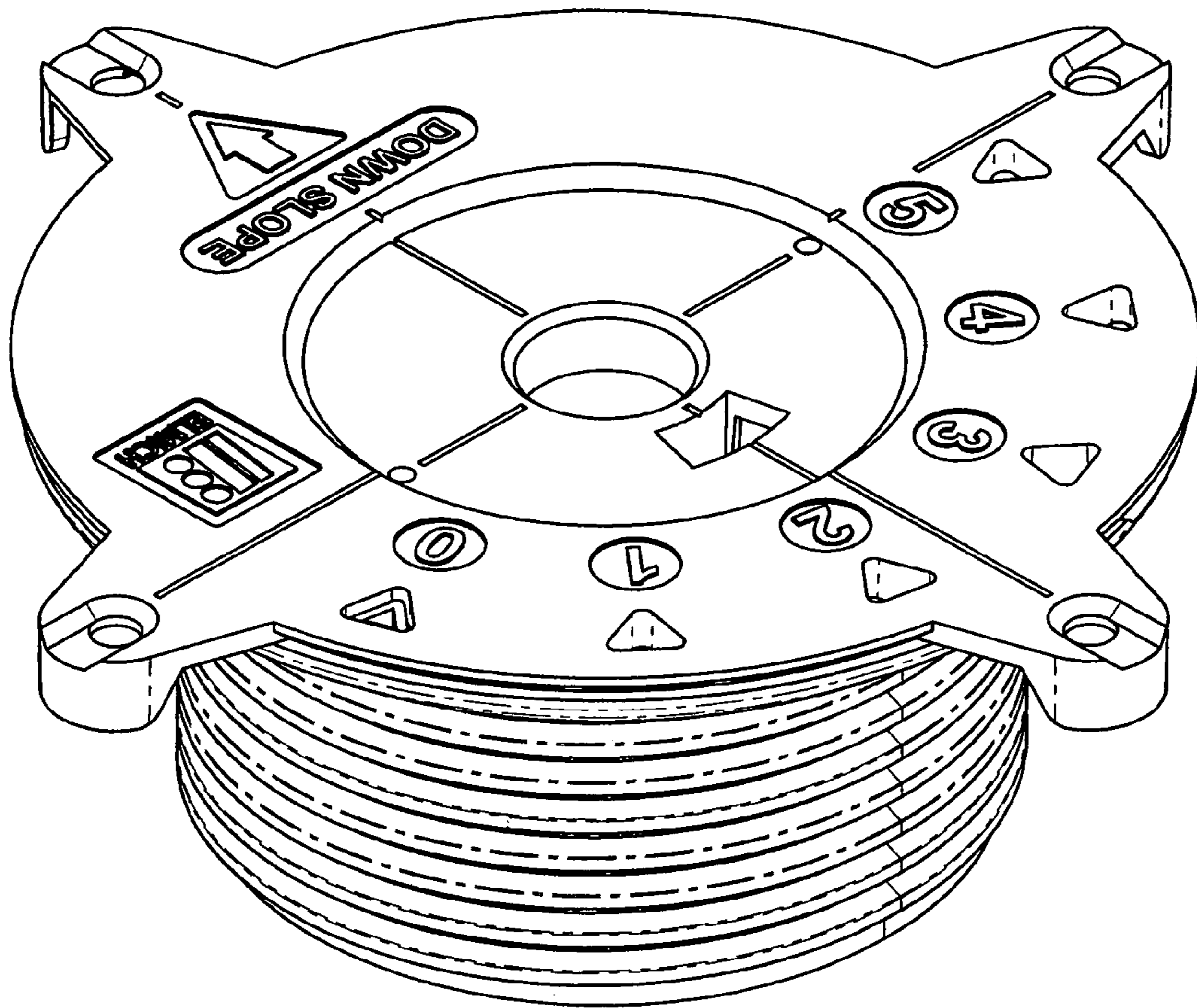


Figure 2

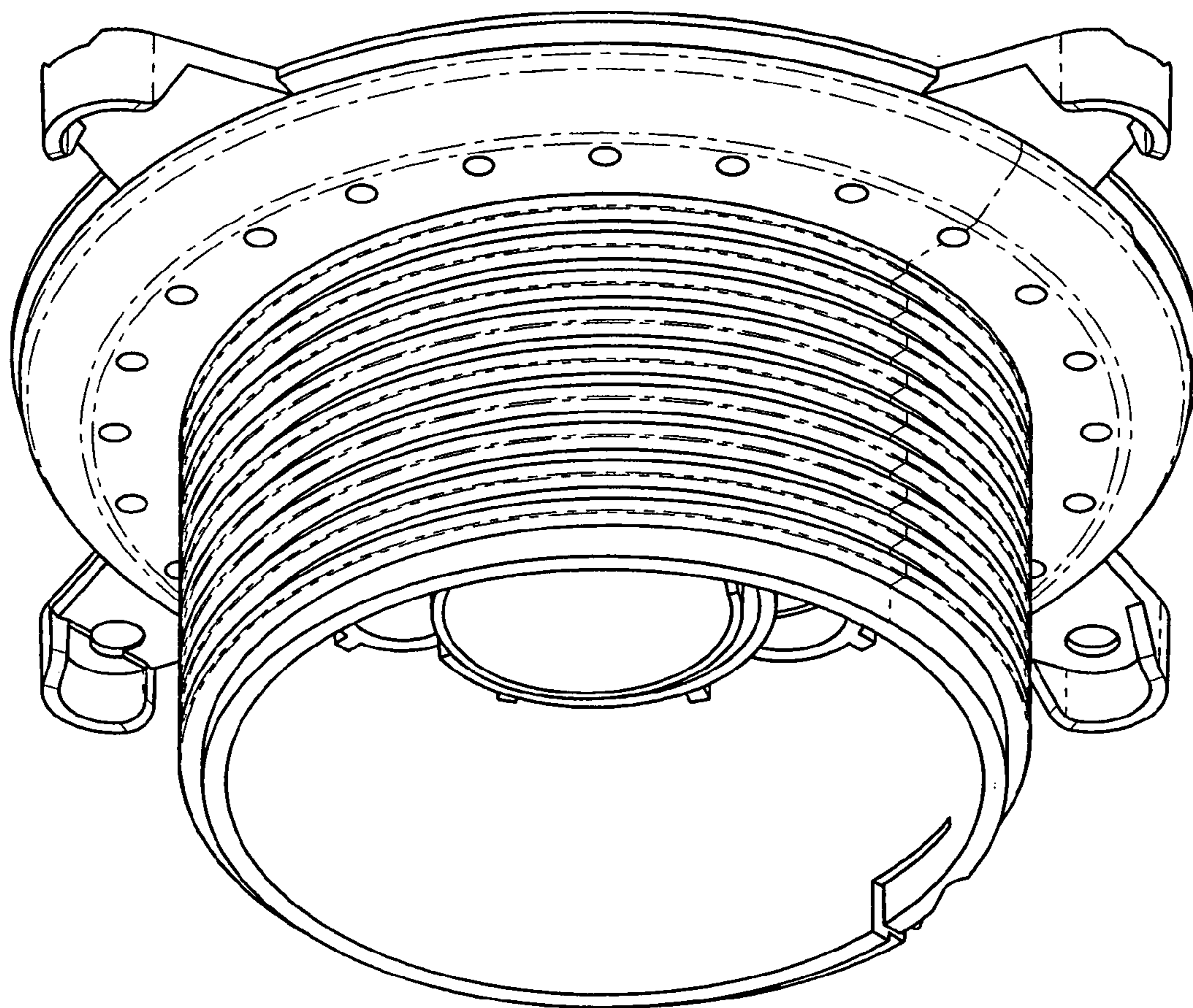


Figure 3

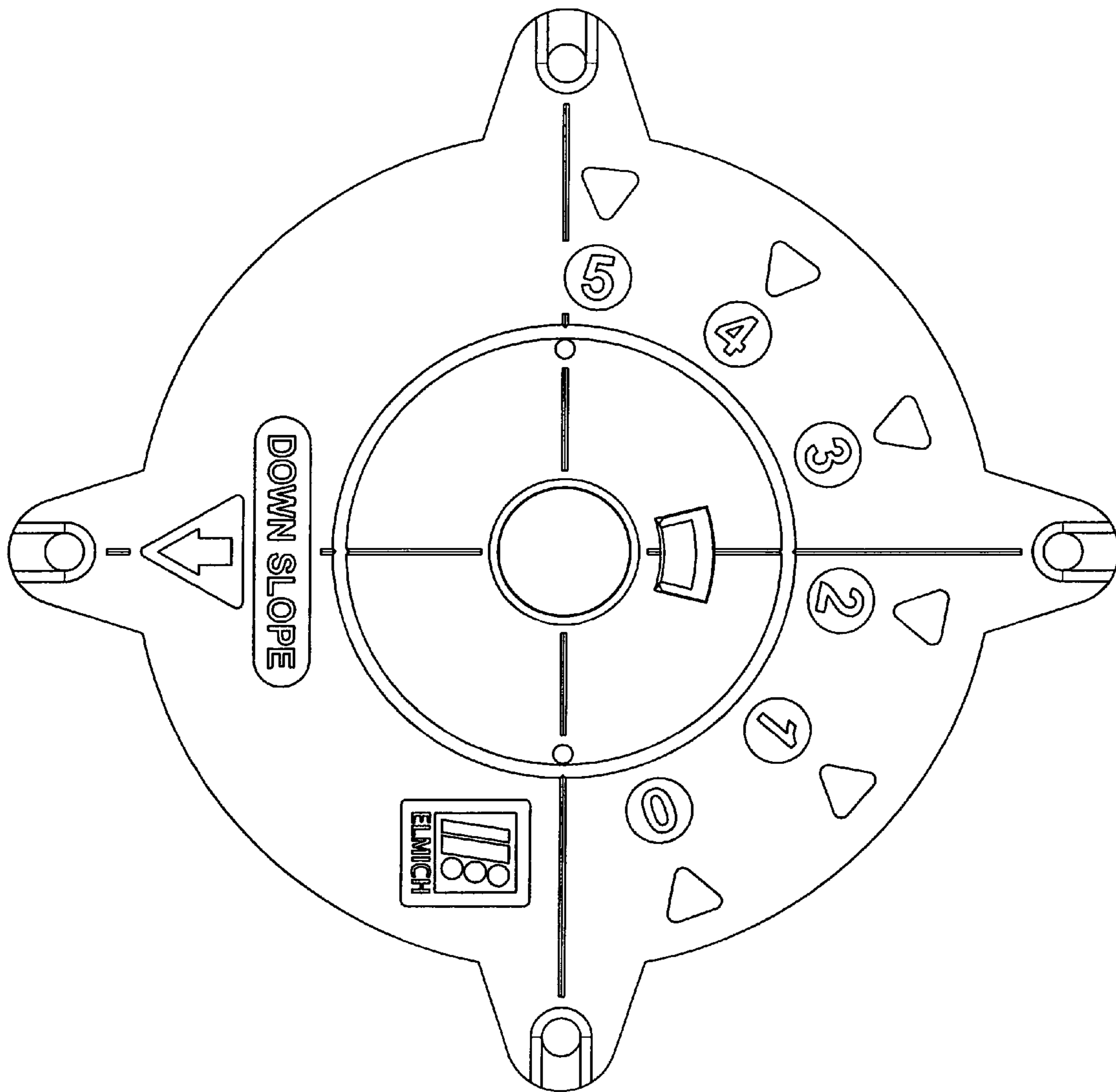


Figure 4

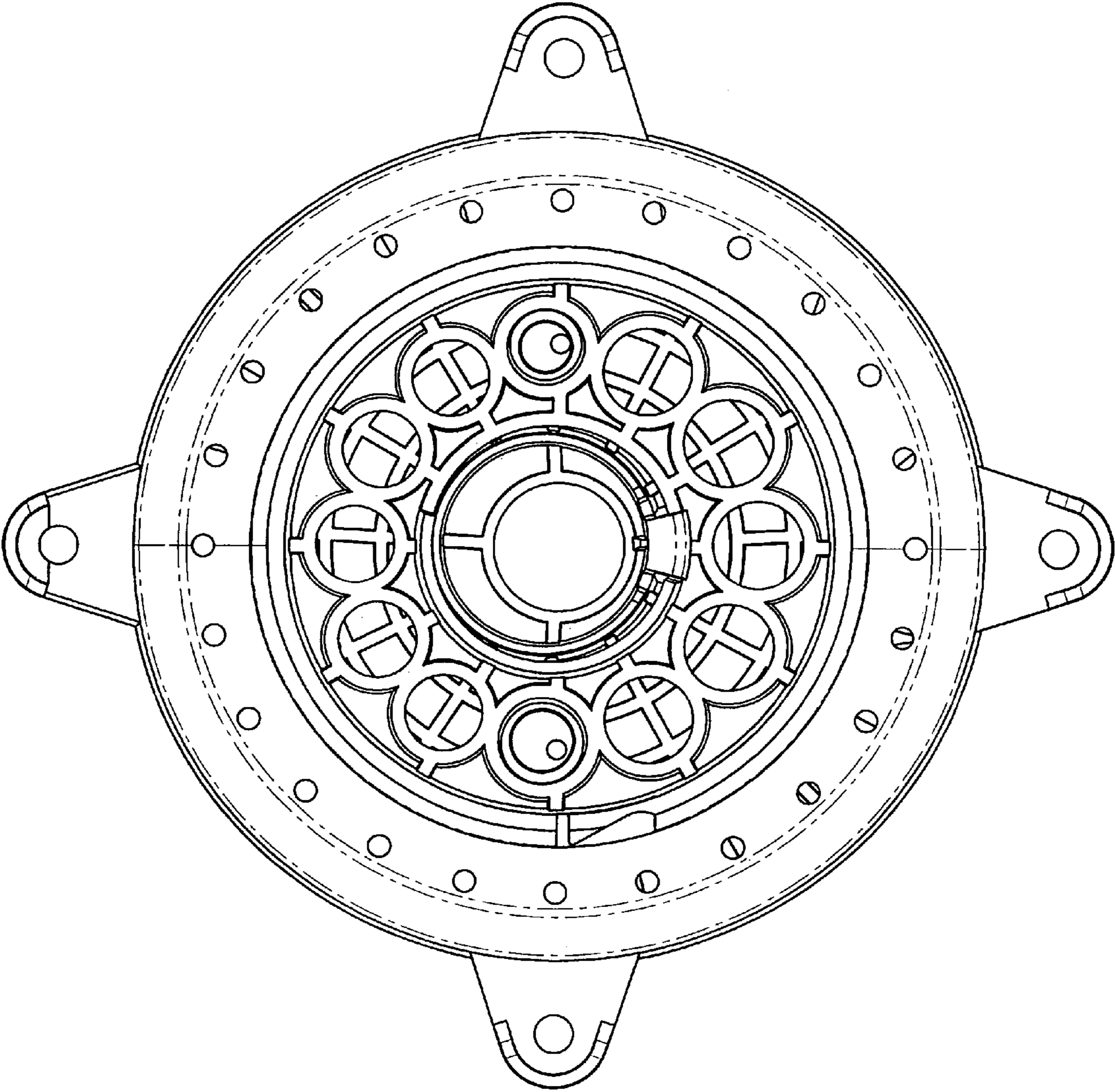


Figure 5

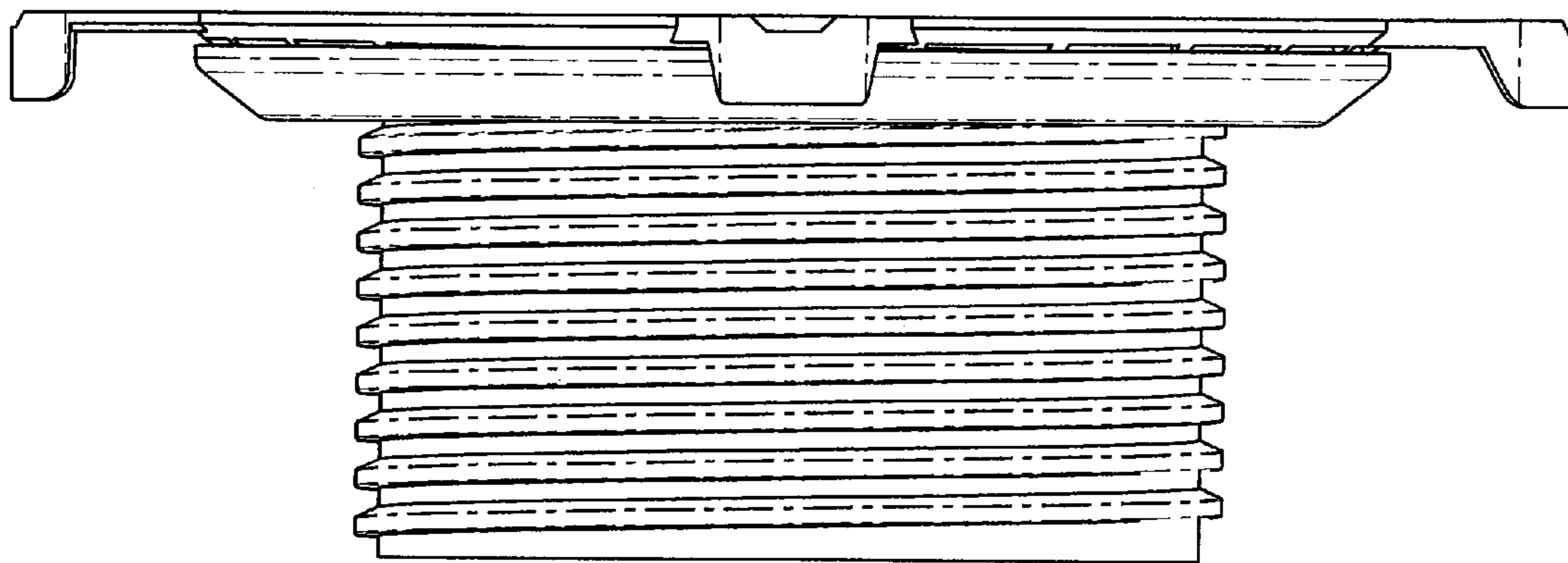


Figure 6

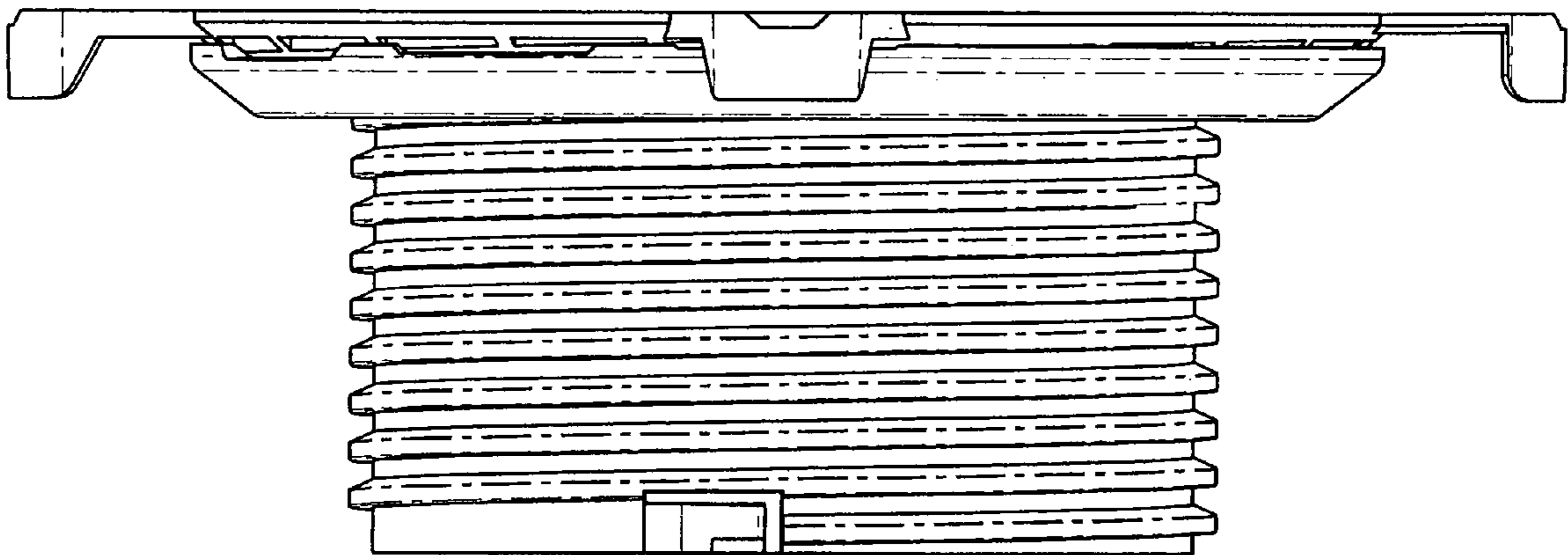




Figure 7

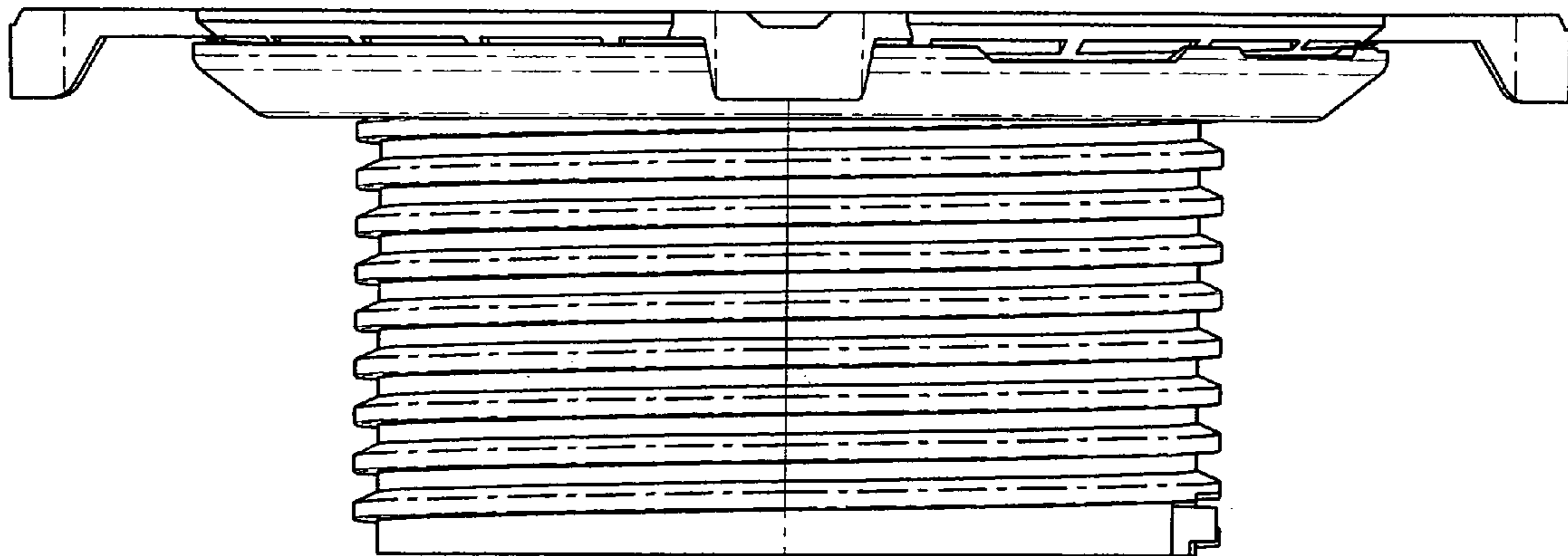


Figure 8

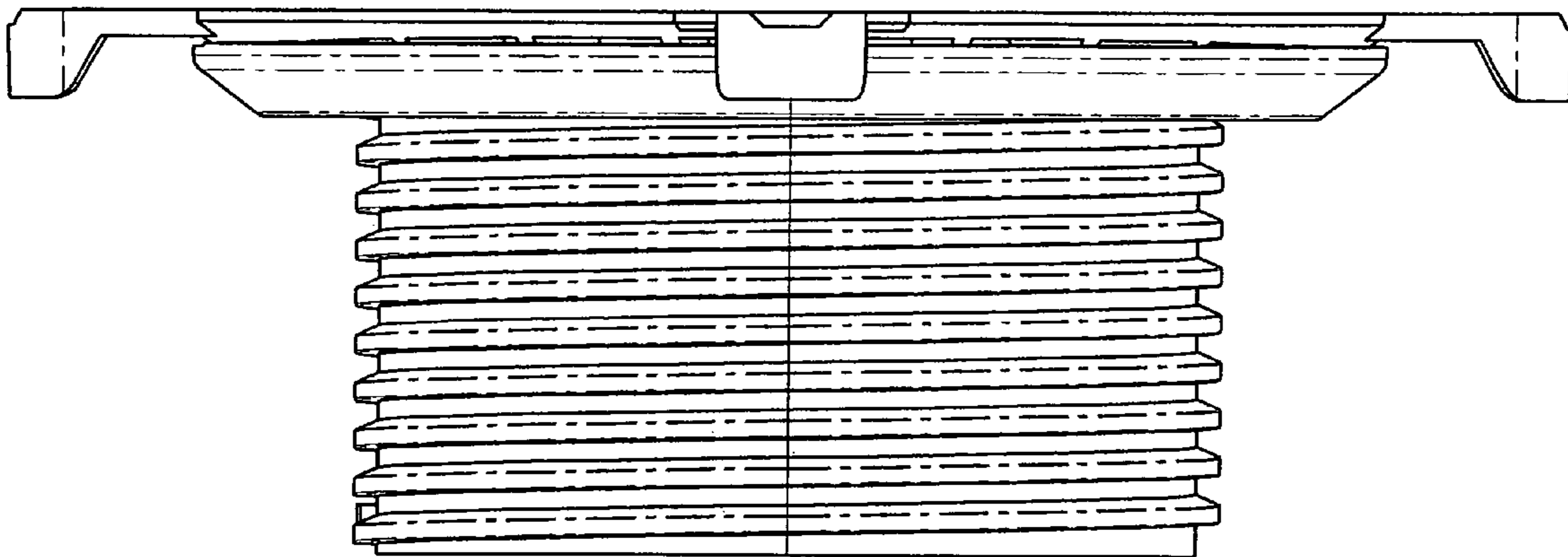


Figure 9

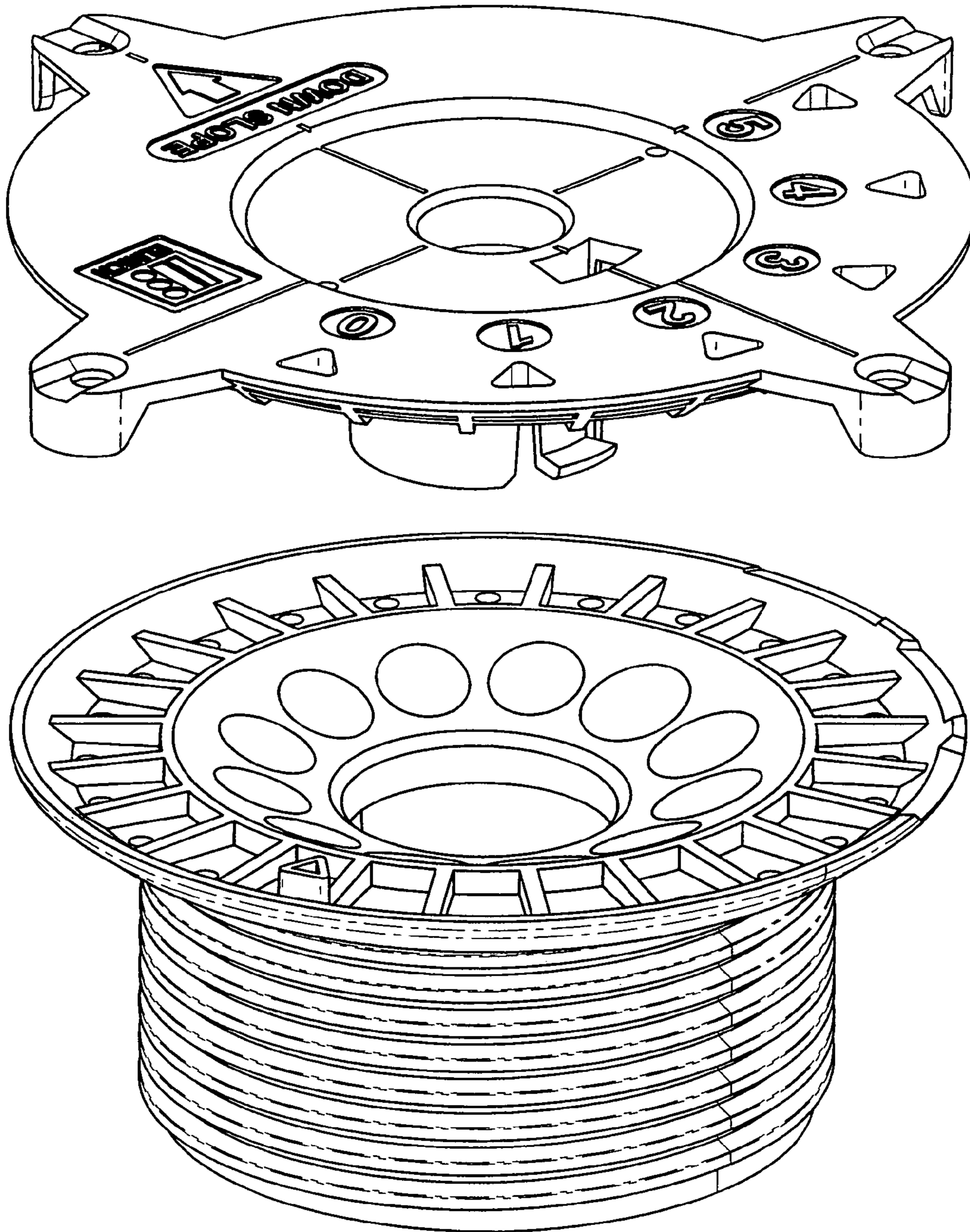


Figure 10

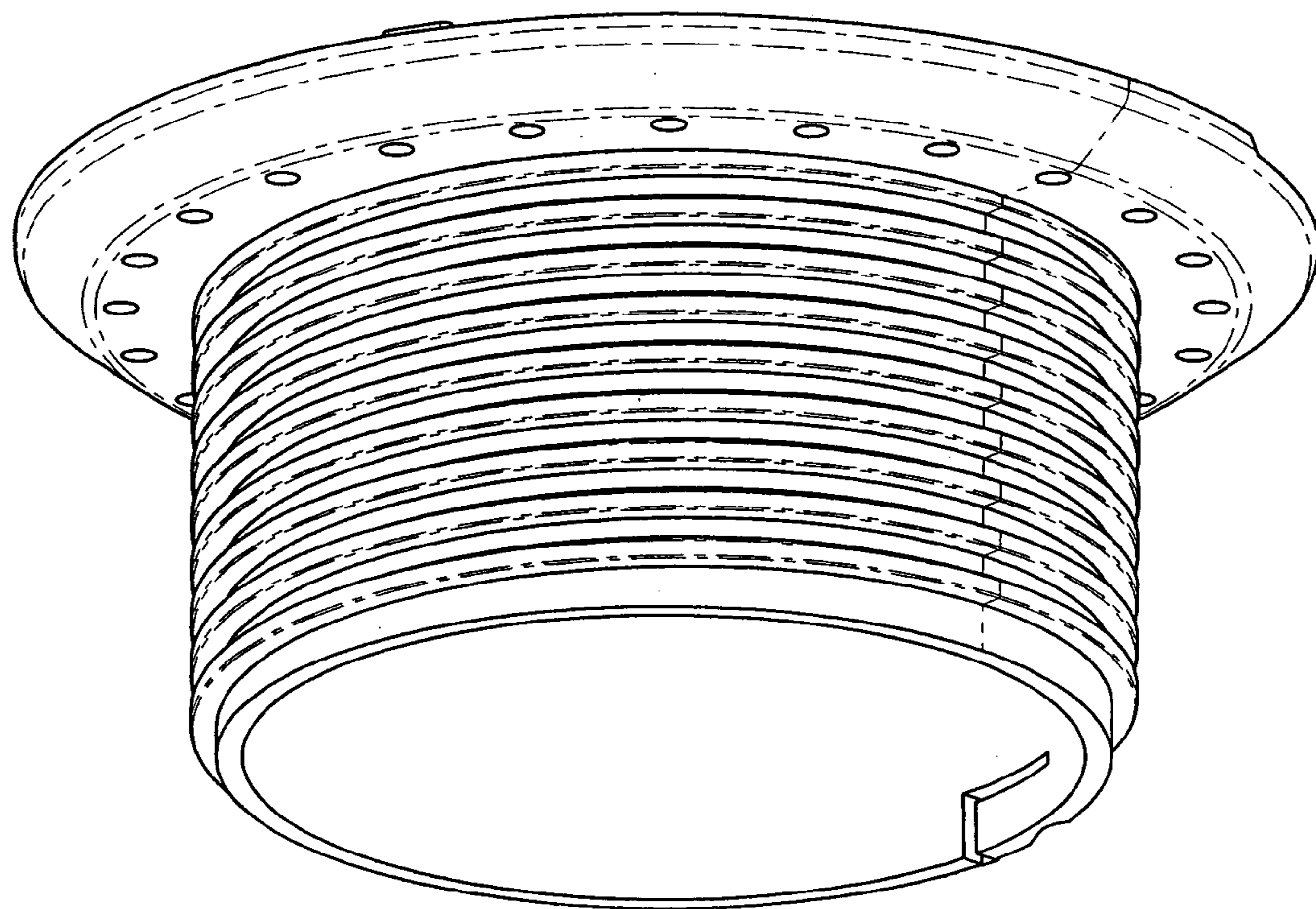
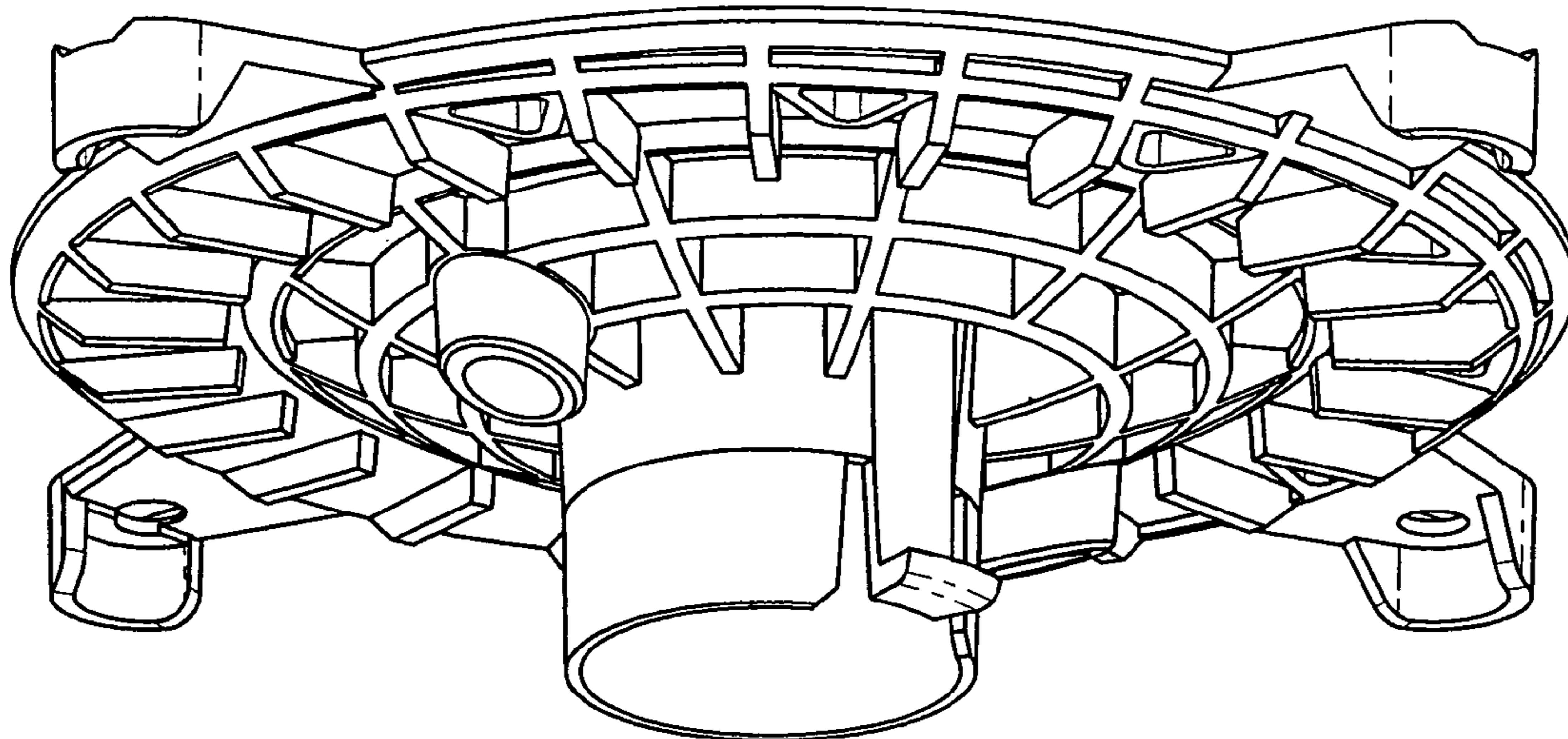


Figure 11

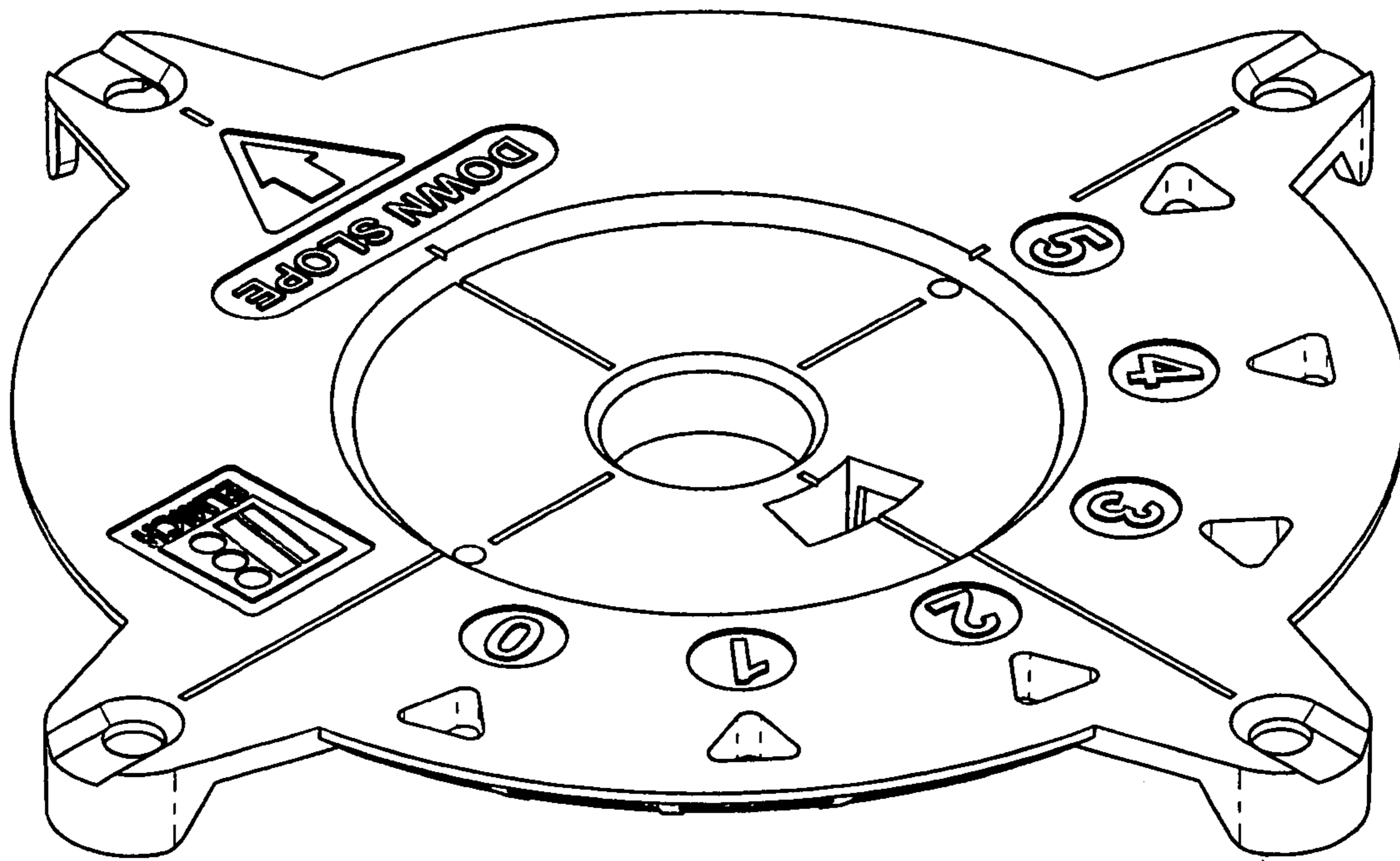


Figure 12

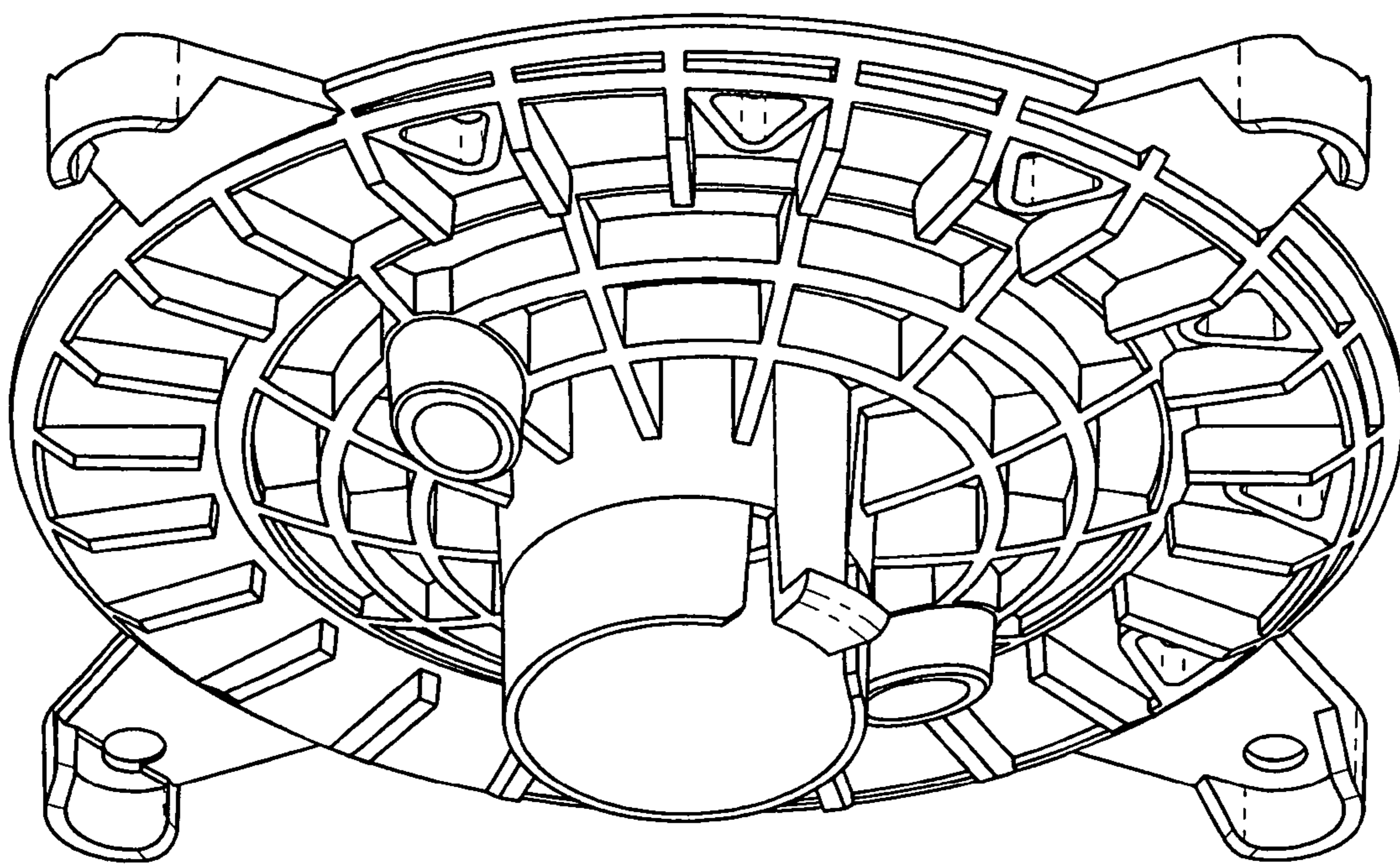


Figure 13

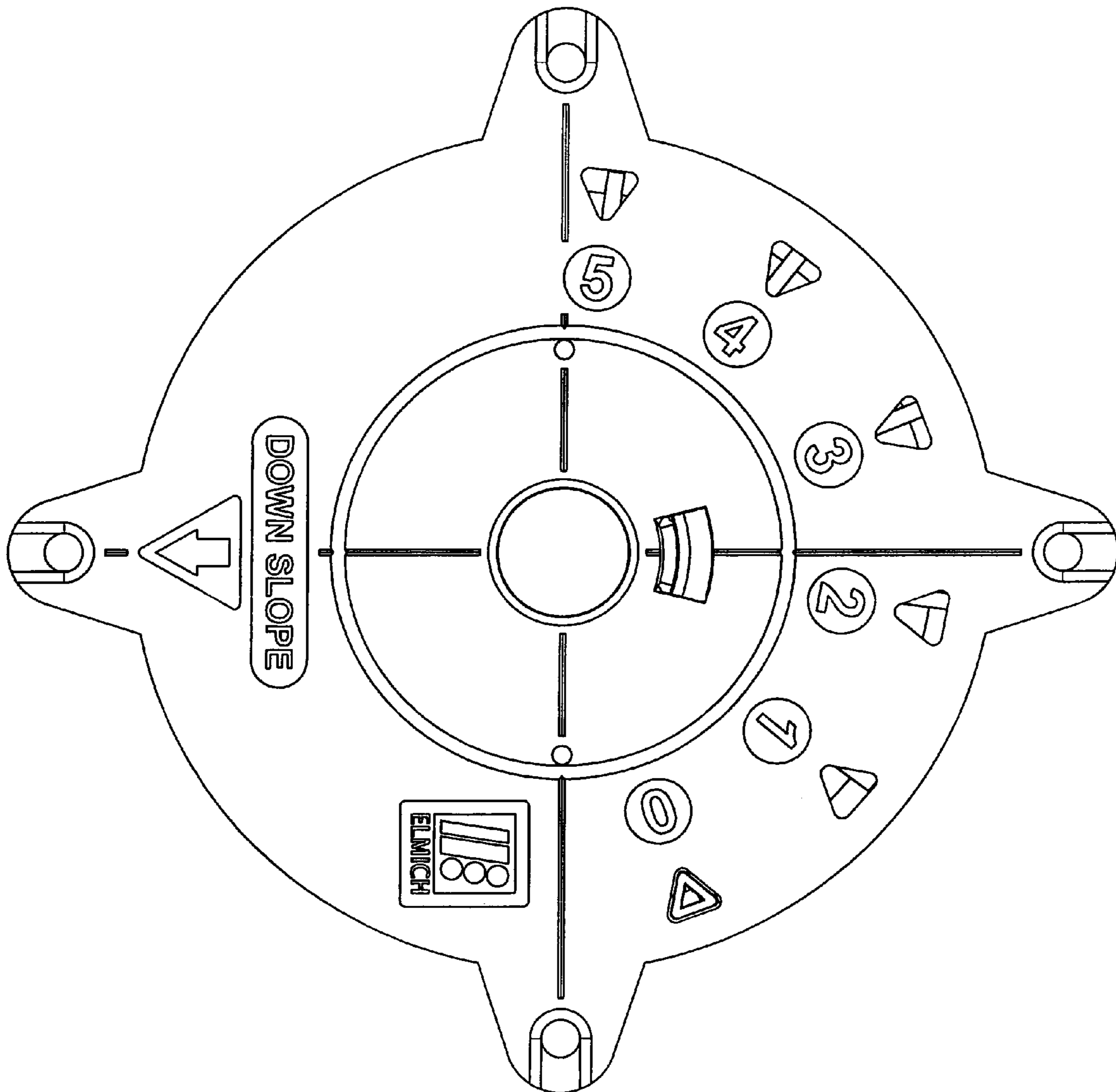


Figure 14

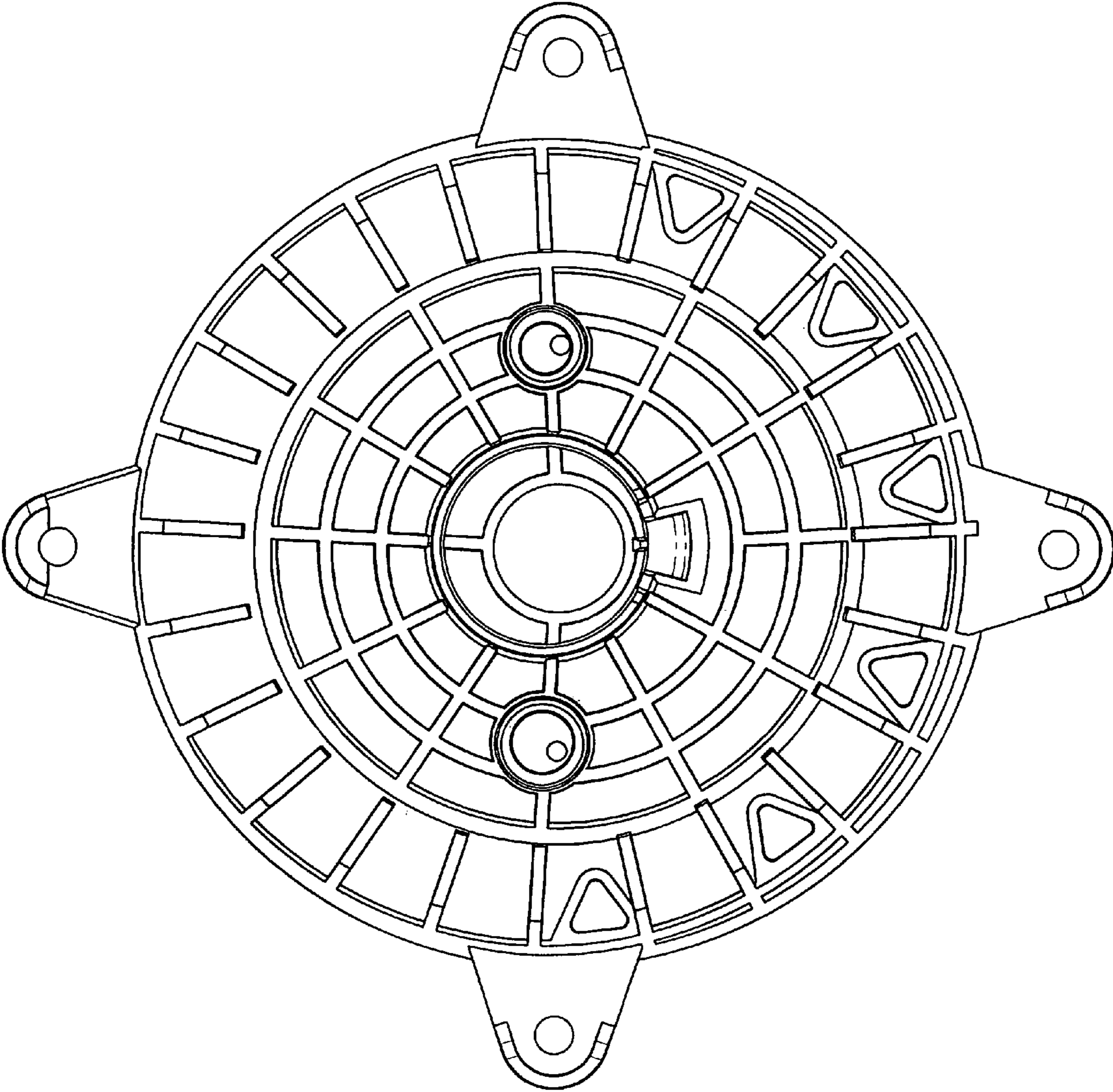




Figure 15

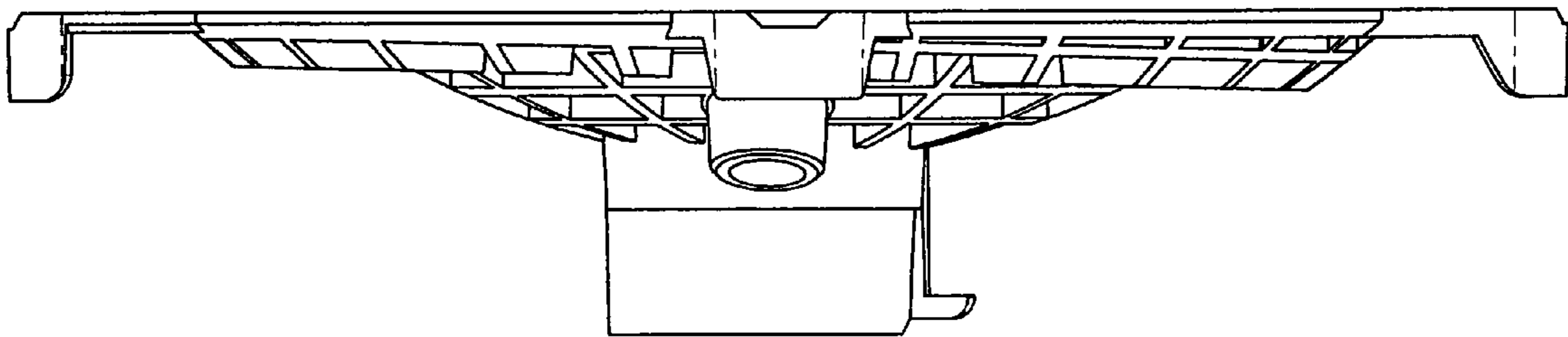


Figure 16

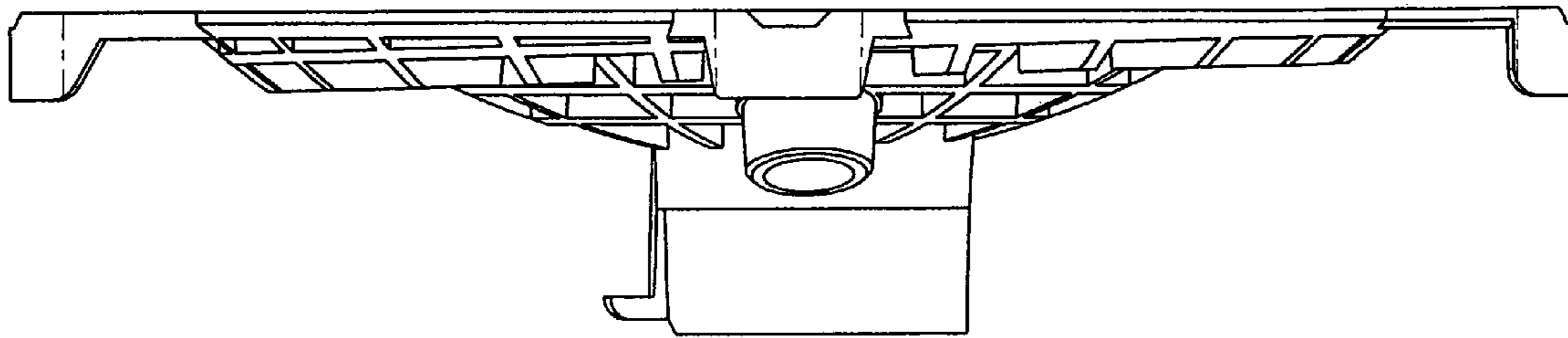


Figure 17

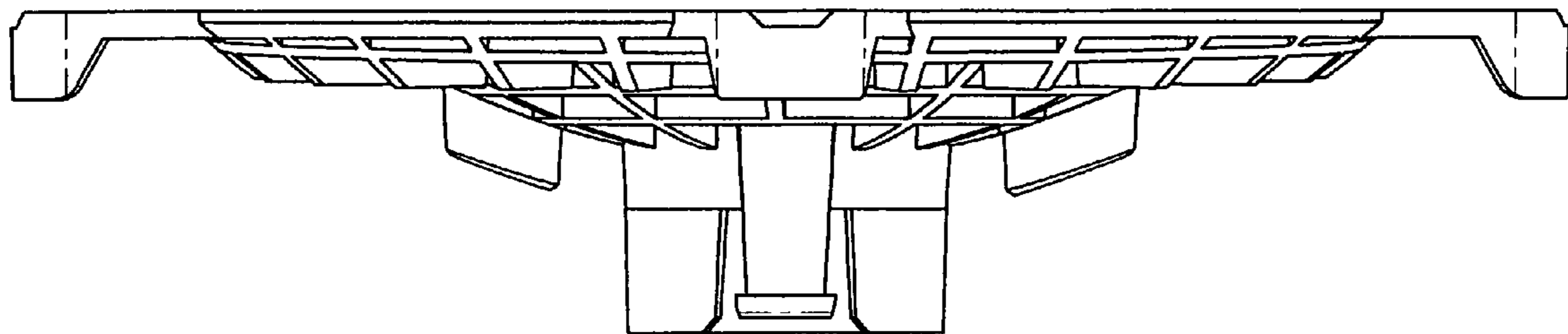


Figure 18

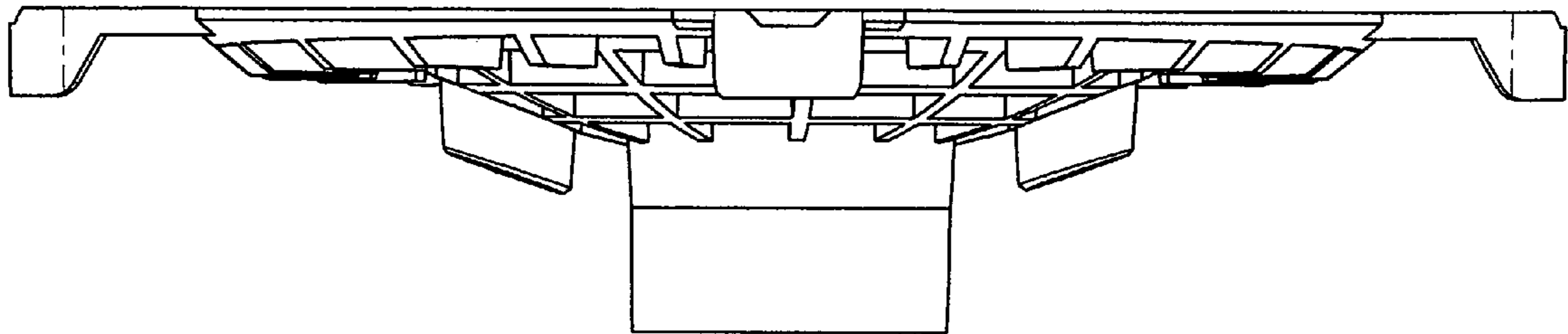


Figure 19

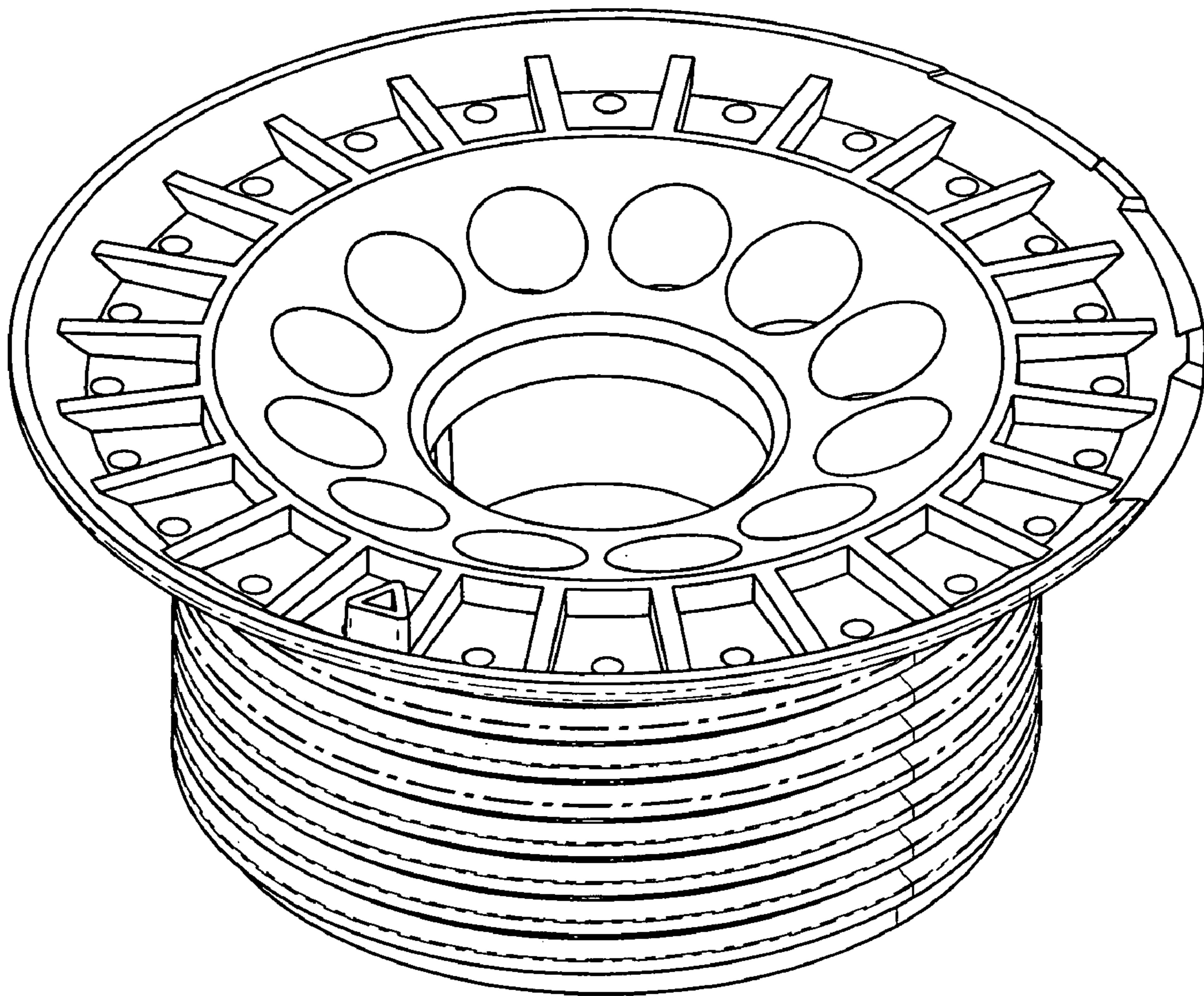


Figure 20

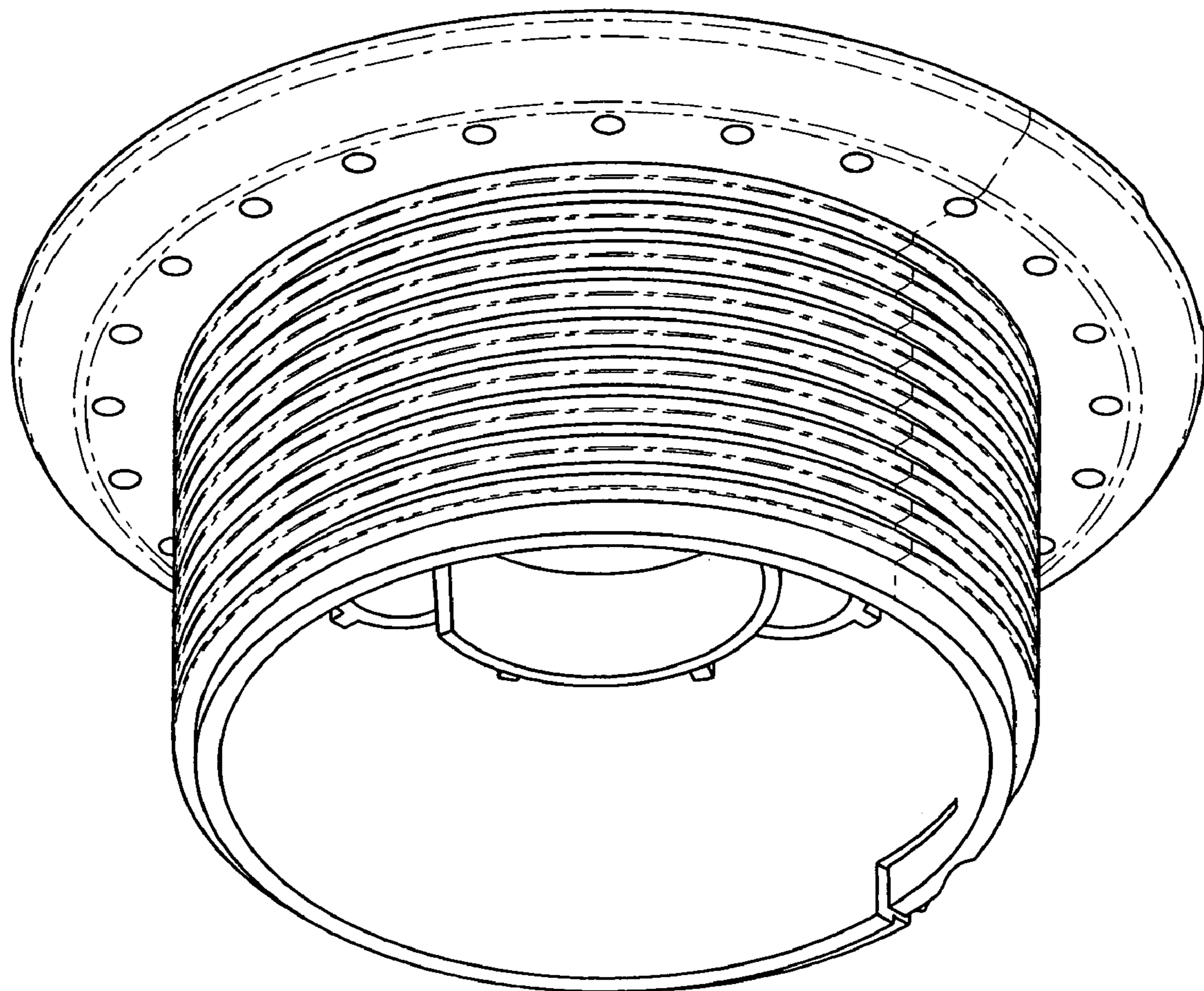


Figure 21

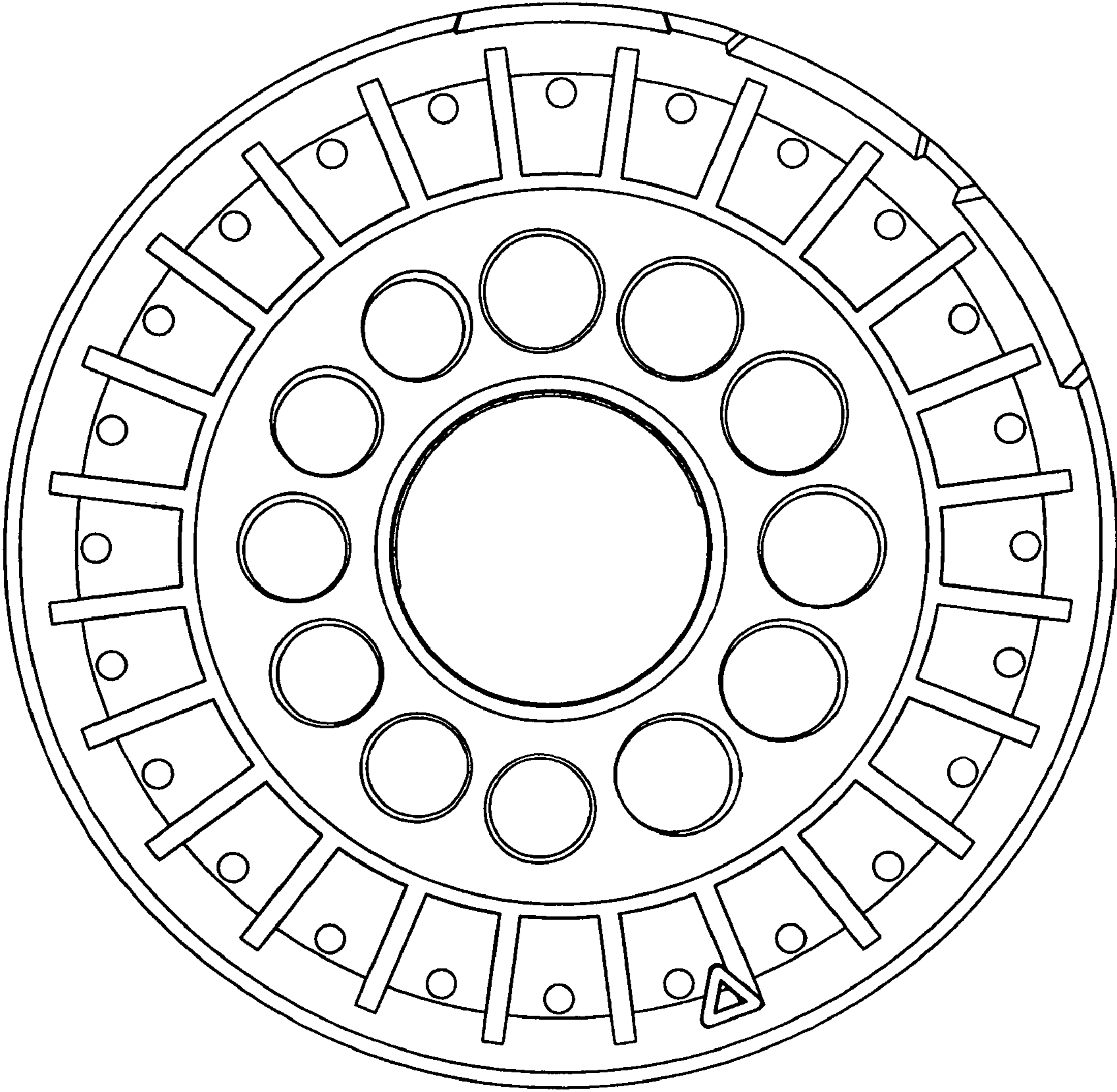


Figure 22

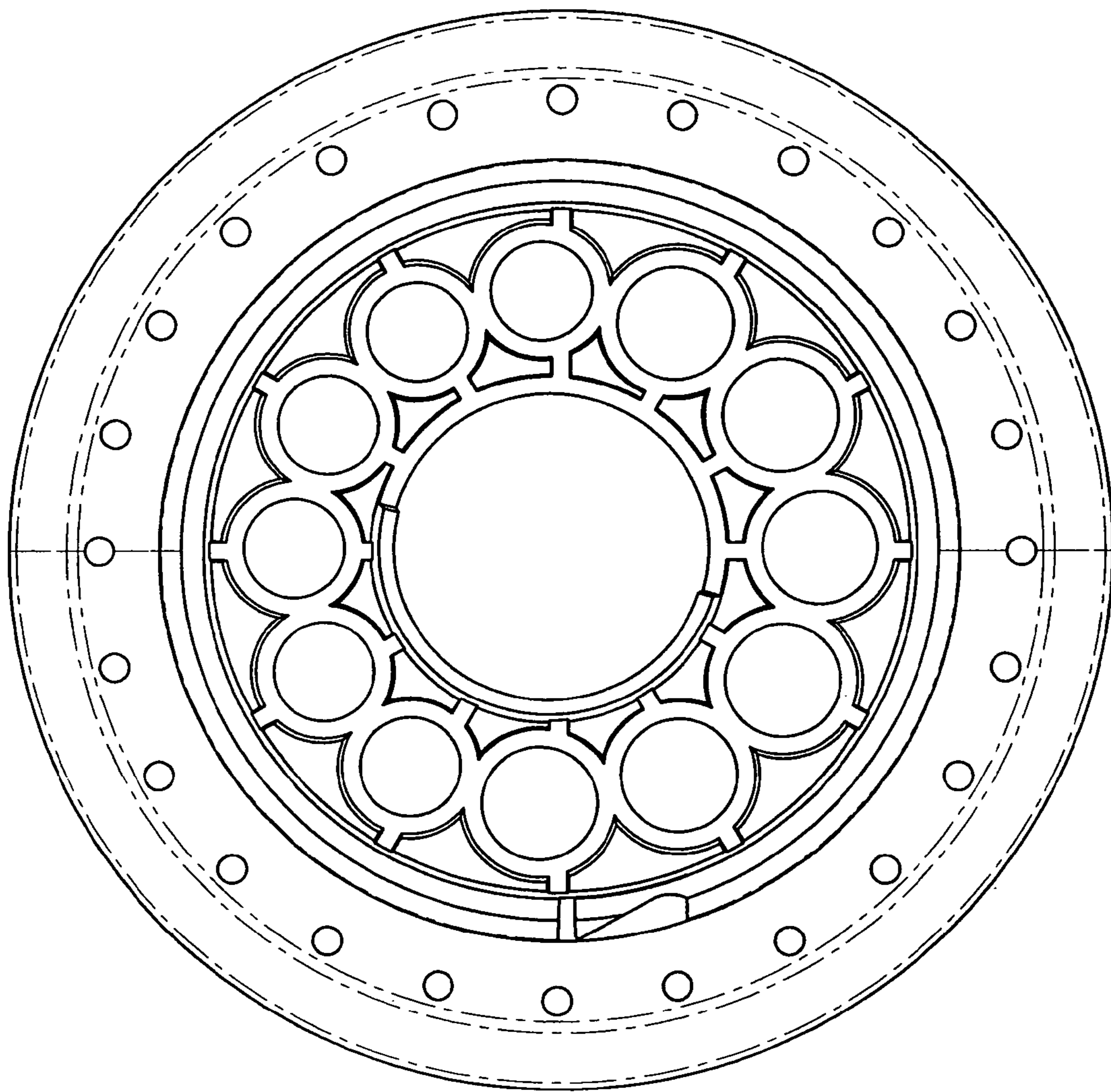




Figure 23

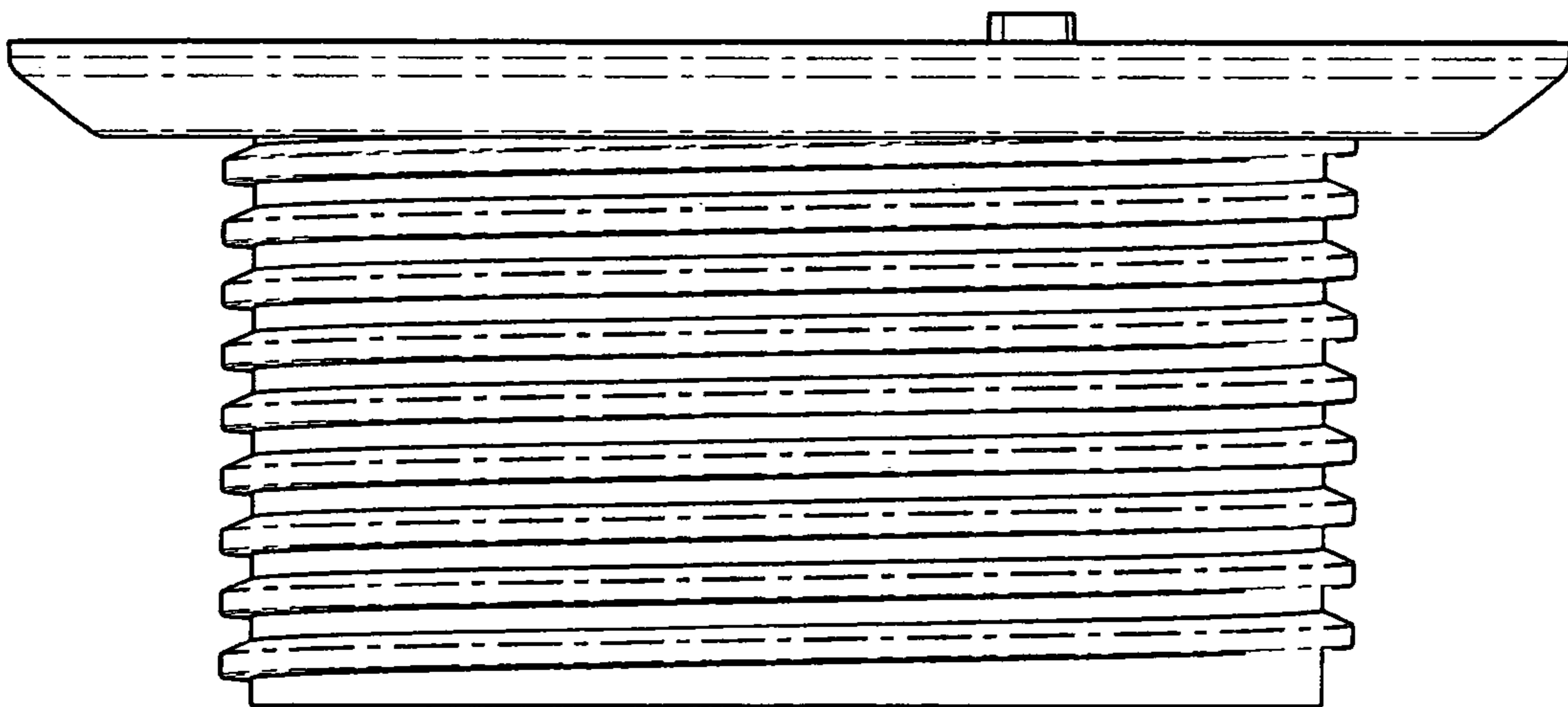


Figure 24

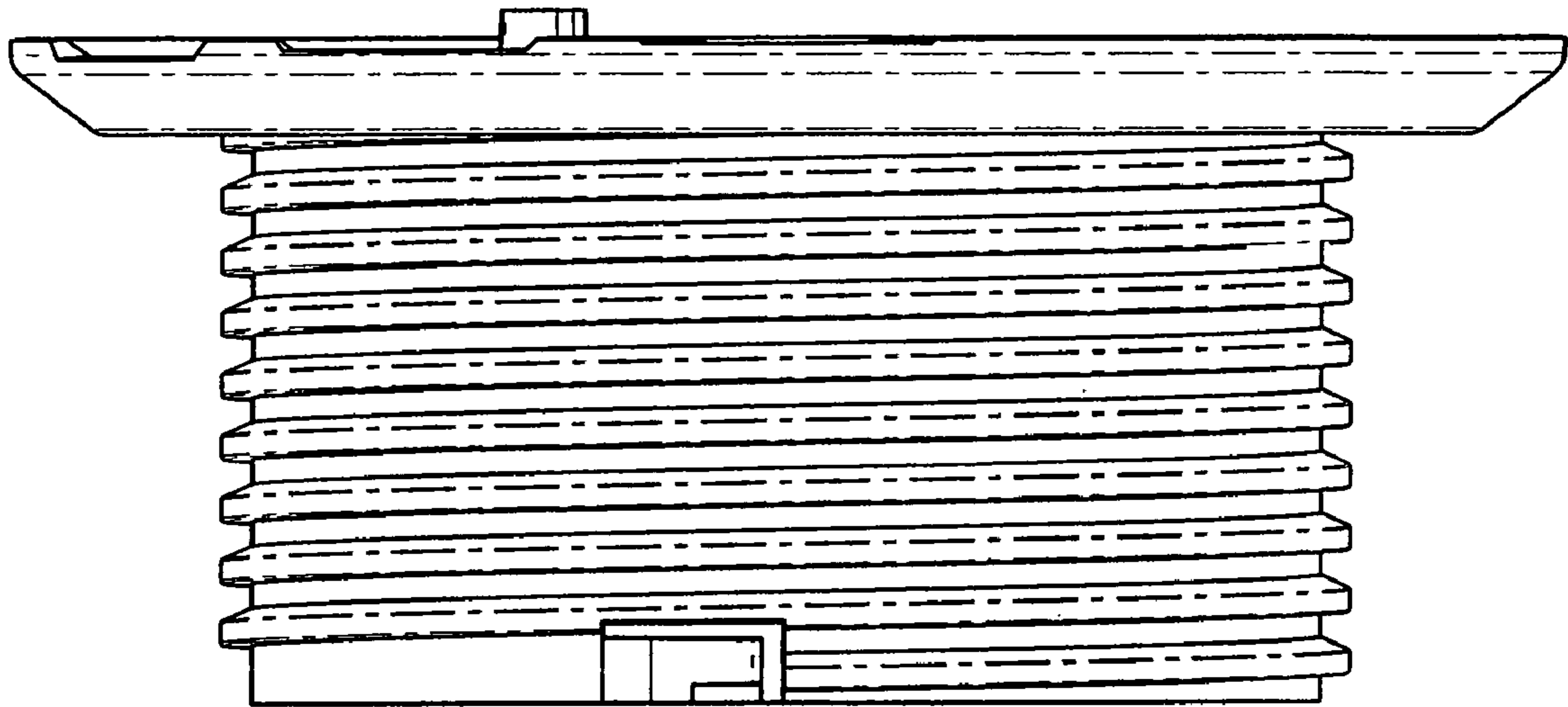


Figure 25

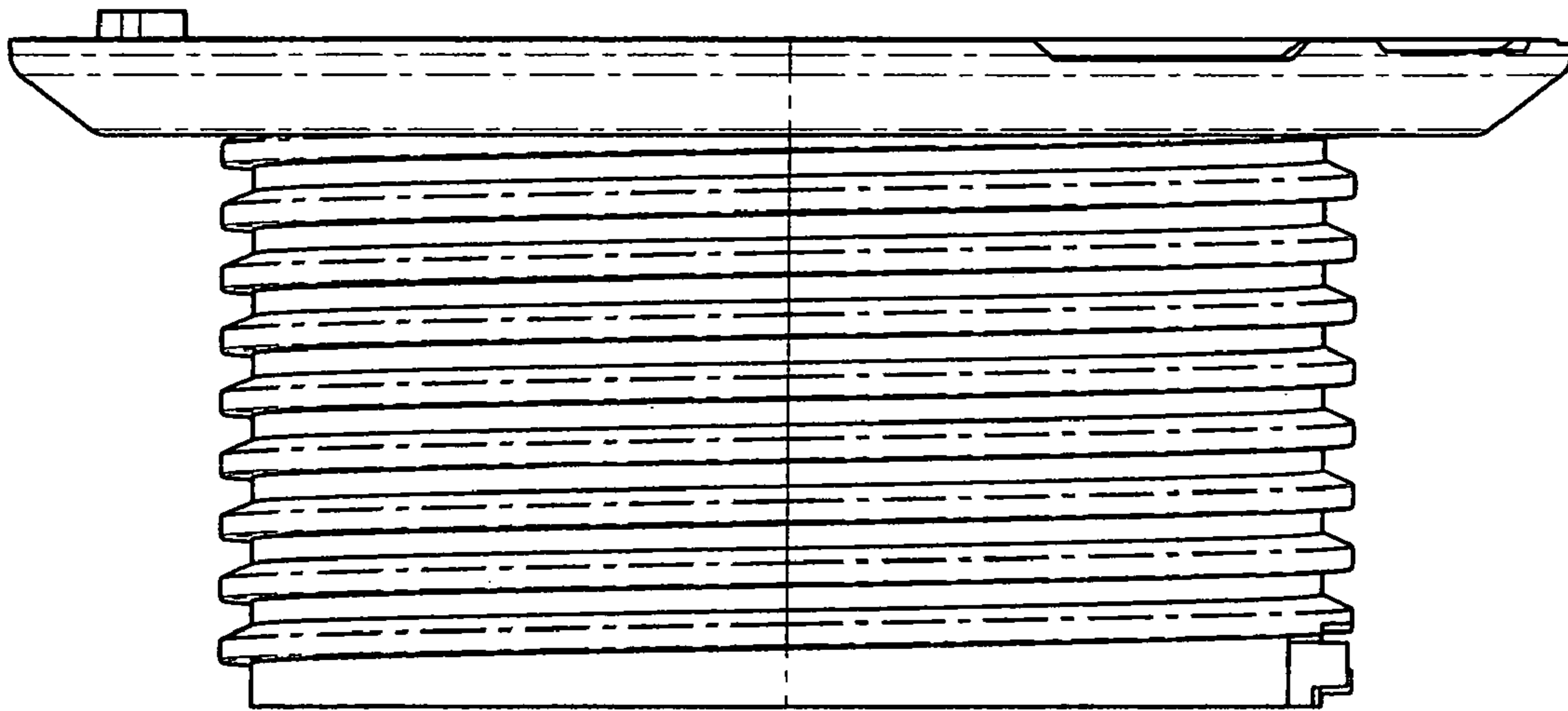


Figure 26

