

US00D548421S

(12) **United States Design Patent** (10) **Patent No.:** **US D548,421 S**  
**Walter** (45) **Date of Patent:** **\*\* Aug. 7, 2007**

(54) **SHOPPING CART**  
(75) Inventor: **Ivor Michel Walter**, Boulder, CO (US)  
(73) Assignee: **AMSA, Inc.**, Boulder, CO (US)  
(\*\*) Term: **14 Years**

D386,873 S 11/1997 D'Estaintot et al.  
D399,625 S 10/1998 Murphy et al.  
D407,882 S 4/1999 Duchene  
D415,600 S 10/1999 Hsieh et al.  
6,126,181 A 10/2000 Ondrasik

(Continued)

(21) Appl. No.: **29/254,237**  
(22) Filed: **Feb. 17, 2006**

OTHER PUBLICATIONS

(51) **LOC (8) Cl.** ..... **12-02**  
(52) **U.S. Cl.** ..... **D34/17**  
(58) **Field of Classification Search** ..... D34/12-27;  
280/33.994, 33.996, 33.99, 47.35, 33.991,  
280/33.992, 47.24, 77.18, 47.27, 79.3; 211/149;  
16/48  
See application file for complete search history.

Cutomer and Shocking Cart with Plastic Deck Retractable Shelf,  
pdf brochure of cart manufactured by Win-holt.  
Supercart & Superbasket Disbutors, scan of website showing prior  
art carts manufactured by Supercart.  
Technibilt carts, Scan of website showing prior arts carts manufac-  
tured by Technibilt.  
U.S. Appl. No. 29/237,7694, filed Sep. 7, 2005, inventor Ivor Water.

*Primary Examiner*—Cynthia E. Ramirez  
(74) *Attorney, Agent, or Firm*—Margaret Polson; Patent  
Law Offices of Rick Martin, PC

(56) **References Cited**  
U.S. PATENT DOCUMENTS

(57) **CLAIM**

- 2,764,419 A 9/1956 Enders
- 2,958,537 A 11/1960 Young
- 3,337,227 A 8/1967 Castaldo
- 3,645,554 A 2/1972 Von Stein et al.
- 3,885,806 A \* 5/1975 Trubiano ..... 280/33.993
- D238,663 S 2/1976 Schiffman
- D240,297 S 6/1976 Trubiano
- D246,301 S \* 11/1977 Trubiano ..... D12/129
- D282,499 S 2/1986 Alstrom
- 4,726,596 A 2/1988 Ulmer
- 4,826,186 A 5/1989 Hagelin
- 4,850,604 A \* 7/1989 Le Marchand et al. . 280/33.996
- 4,850,605 A 7/1989 Ray
- D331,135 S 11/1992 Lewandowski
- D348,549 S 7/1994 Trubiano
- 5,435,582 A 7/1995 Davidson
- D365,904 S 1/1996 Adamson
- D367,348 S 2/1996 Basharat
- 5,507,507 A 4/1996 Davidson
- 5,595,394 A 1/1997 Adamson
- D379,834 S 6/1997 Huang

The ornamental design for a shopping cart, as shown and described.

**DESCRIPTION**

FIG. 1 is a side elevation view of the right and left sides, which are mirror images, of my new design for a shopping cart.

FIG. 2 is a front side elevation view of FIG. 1

FIG. 3 is a back side elevation view of FIG. 1.

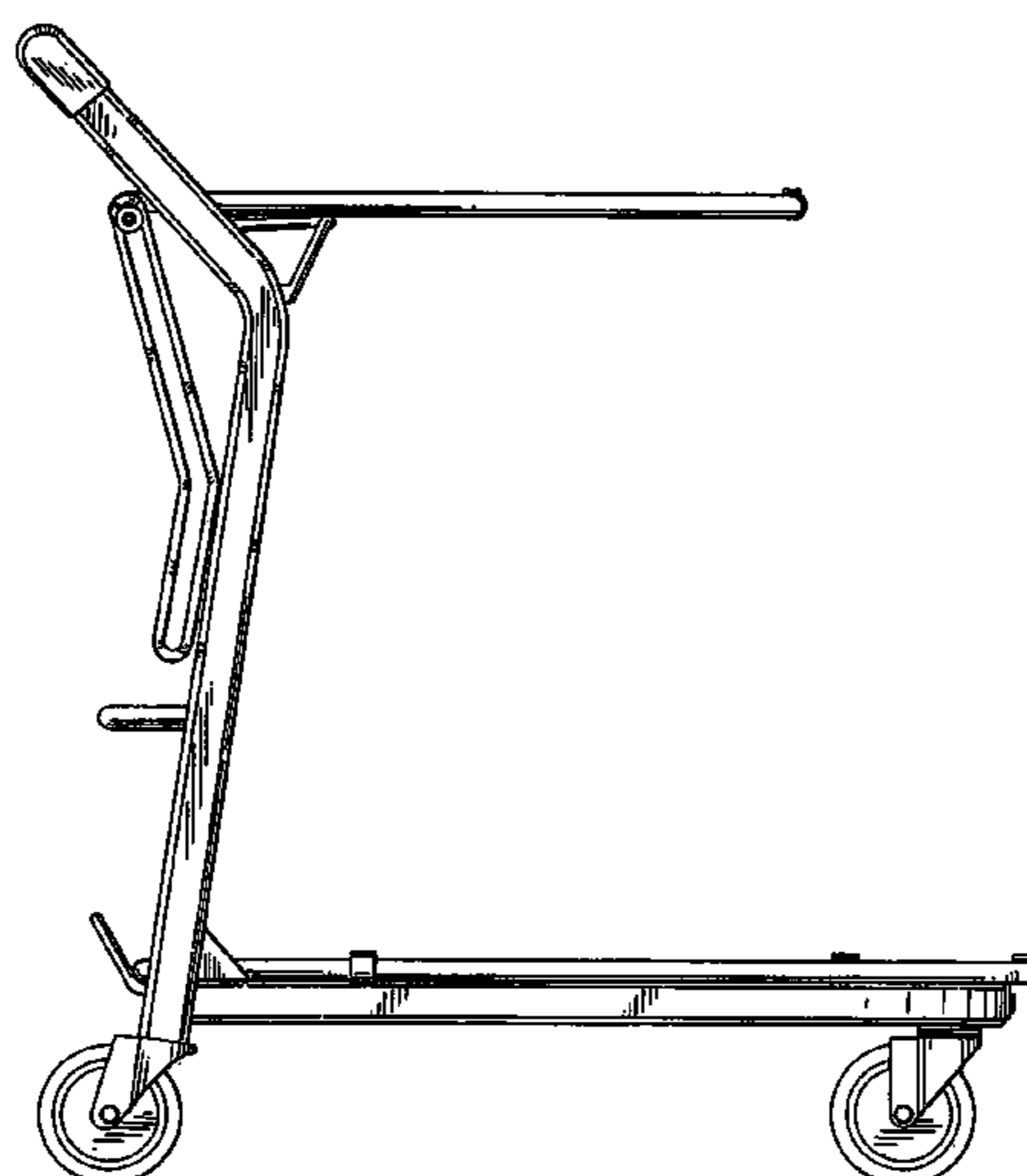
FIG. 4 is a top plan view of FIG. 1

FIG. 5 is a bottom plan view of FIG. 1.

FIG. 6 is a front perspective view of FIG. 1; and,

FIG. 7 is a front perspective view of the shopping cart, with the top shelf in its alternate position, the only difference being the position of the top shelf, it being understood that all other elements are the same.

**1 Claim, 5 Drawing Sheets**



# US D548,421 S

Page 2

---

## U.S. PATENT DOCUMENTS

D449,913 S	10/2001	Walter	6,644,674 B2	11/2003	Simard	
D455,243 S	4/2002	Walter	D493,932 S *	8/2004	Prather et al.	..... D34/21
D472,026 S	3/2003	Walter	6,932,363 B2	8/2005	D'Angelo	
D472,027 S	3/2003	Walter	2001/0022436 A1	9/2001	Simard	

\* cited by examiner

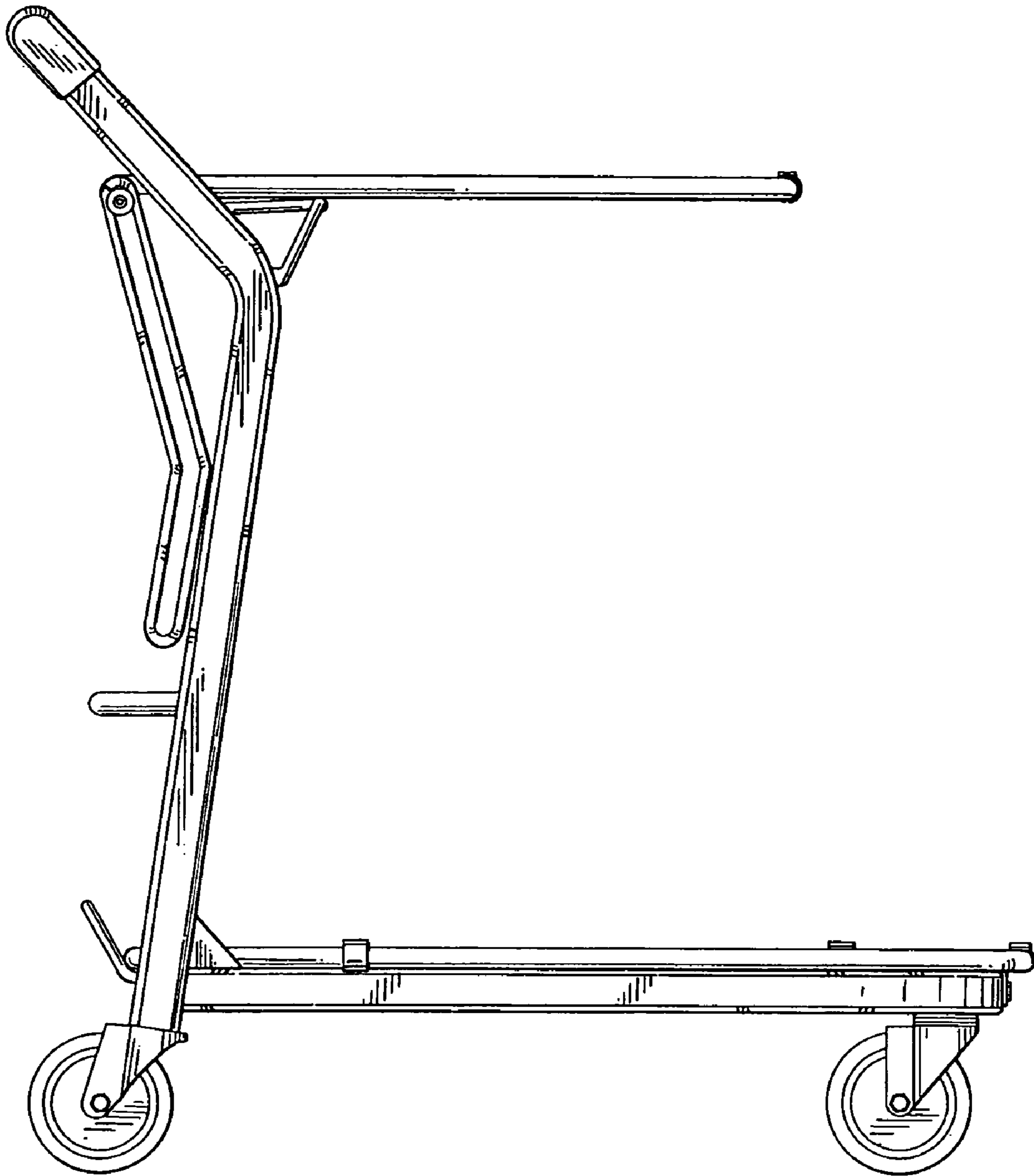


FIG.1

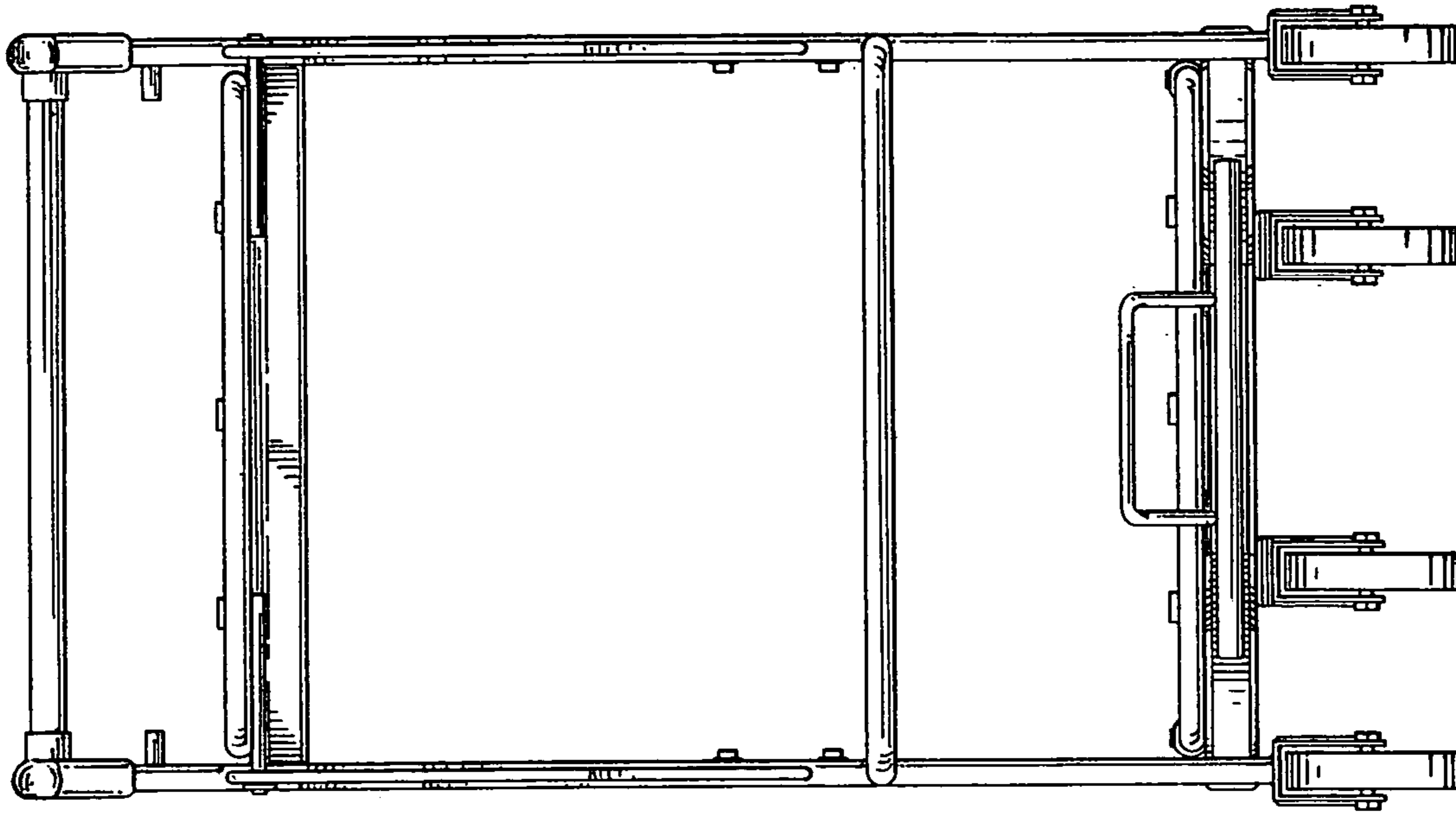


FIG.3

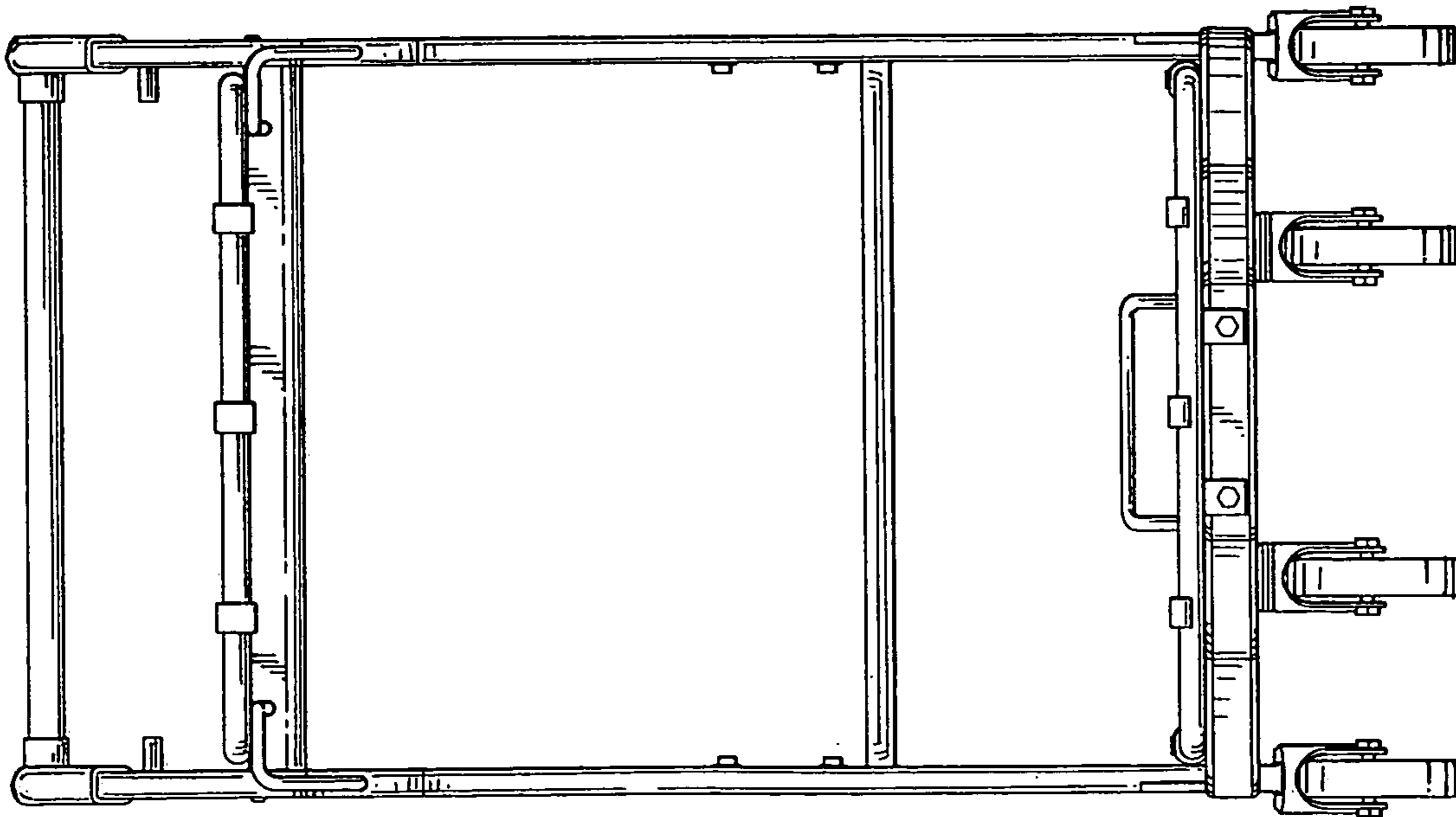


FIG.2

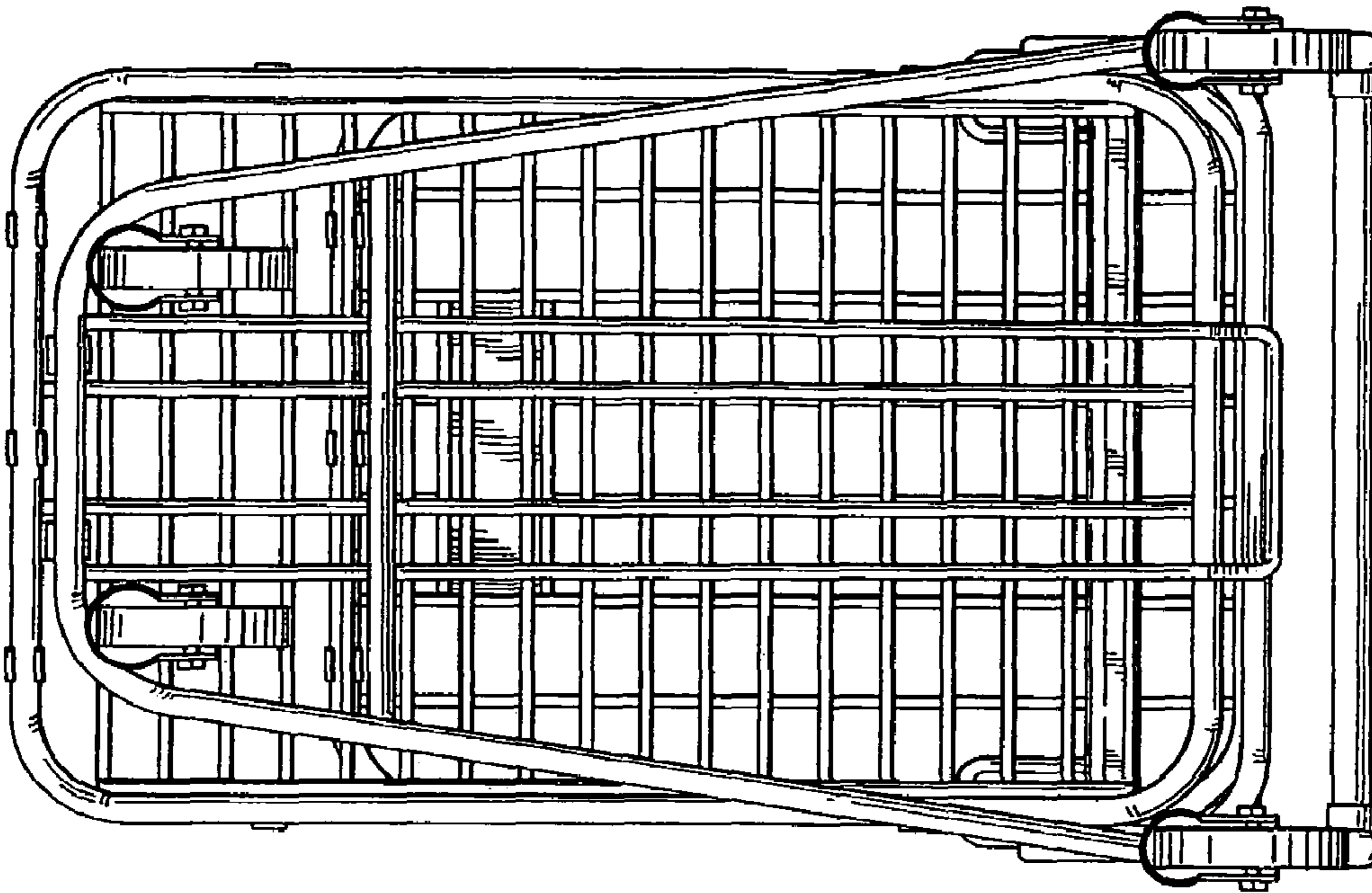


FIG. 5

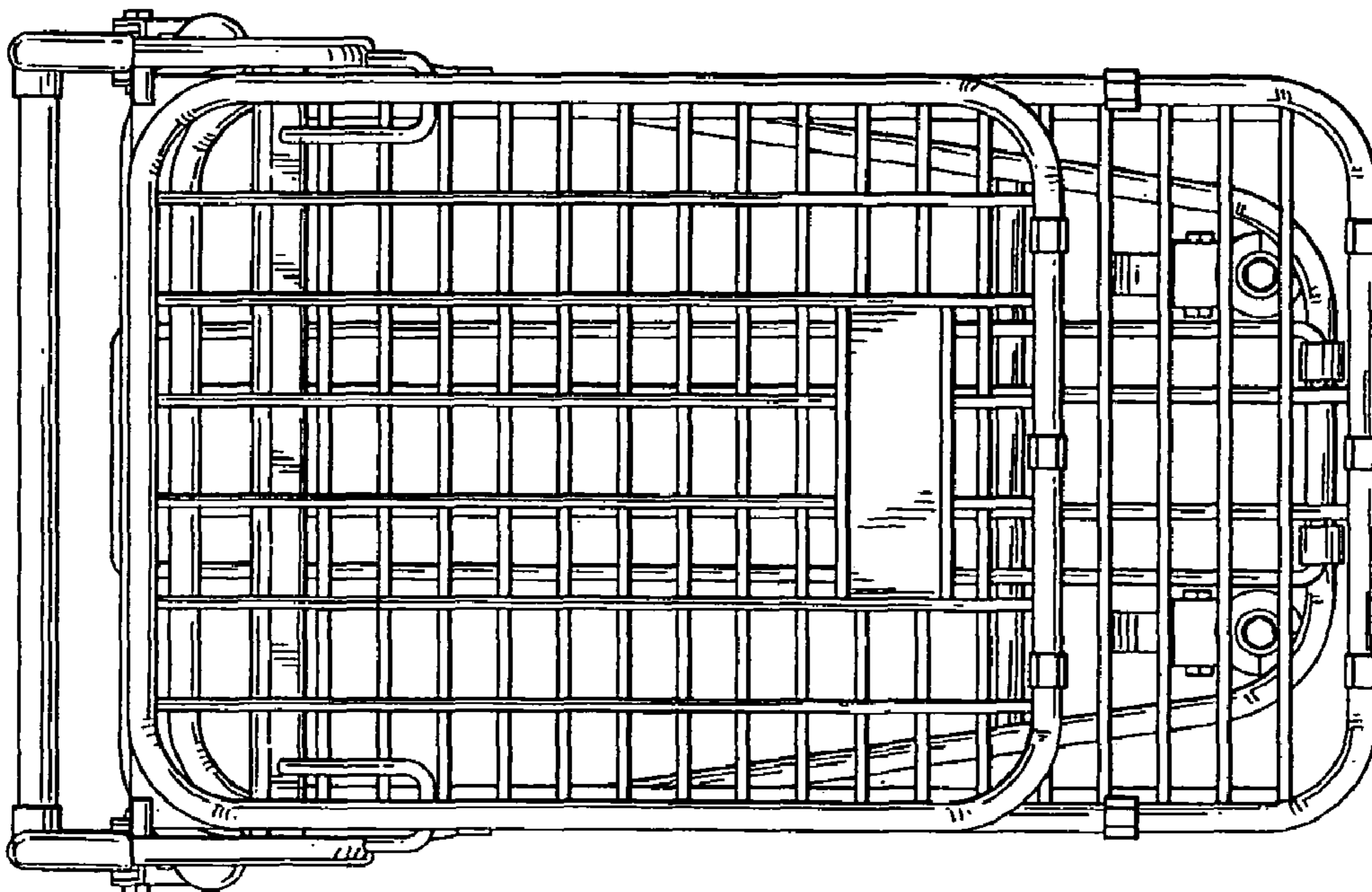


FIG. 4



FIG. 6



FIG. 7