

US00D548420S

(12) **United States Design Patent**
Liao

(10) **Patent No.:** **US D548,420 S**

(45) **Date of Patent:** **** Aug. 7, 2007**

(54) **GOLF CART**

(75) Inventor: **Gordon Liao**, Yung Kang (TW)

(73) Assignee: **Unique Product & Design Co. Ltd.**,
Yung Kang (TW)

(**) Term: **14 Years**

(21) Appl. No.: **29/263,109**

(22) Filed: **Jul. 17, 2006**

(51) **LOC (8) Cl.** **12-13**

(52) **U.S. Cl.** **D34/15**

(58) **Field of Classification Search** D34/12-27;
280/39, 40, 645, 651, 655, 47.17, 47.18,
280/47.131, 47.24, 47.315, 47.26, 47.27,
280/DIG. 6

See application file for complete search history.

(56) **References Cited**

U.S. PATENT DOCUMENTS

D399,031 S *	9/1998	Prosper et al.	D34/24
D450,167 S *	11/2001	Liao	D34/15
D450,902 S *	11/2001	Liao	D34/15
D462,152 S *	8/2002	Liao	D34/15
D468,511 S *	1/2003	Liu	D34/15
6,698,789 B2 *	3/2004	Reimers et al.	280/651

D488,279 S *	4/2004	Wu	D34/15
D519,704 S *	4/2006	Wu	D34/15
7,063,340 B1 *	6/2006	Wu	280/47.26
D531,374 S *	10/2006	Liao	D34/15
D531,778 S *	11/2006	Liao	D34/15

* cited by examiner

Primary Examiner—Cynthia E. Ramirez

(74) *Attorney, Agent, or Firm*—Alan Kamrath; Kamrath & Associates PA

(57) **CLAIM**

The ornamental design for a golf cart, as shown and described.

DESCRIPTION

FIG. 1 is a perspective view of a golf cart showing my design;

FIG. 2 is a front elevational view thereof;

FIG. 3 is a rear elevational view thereof;

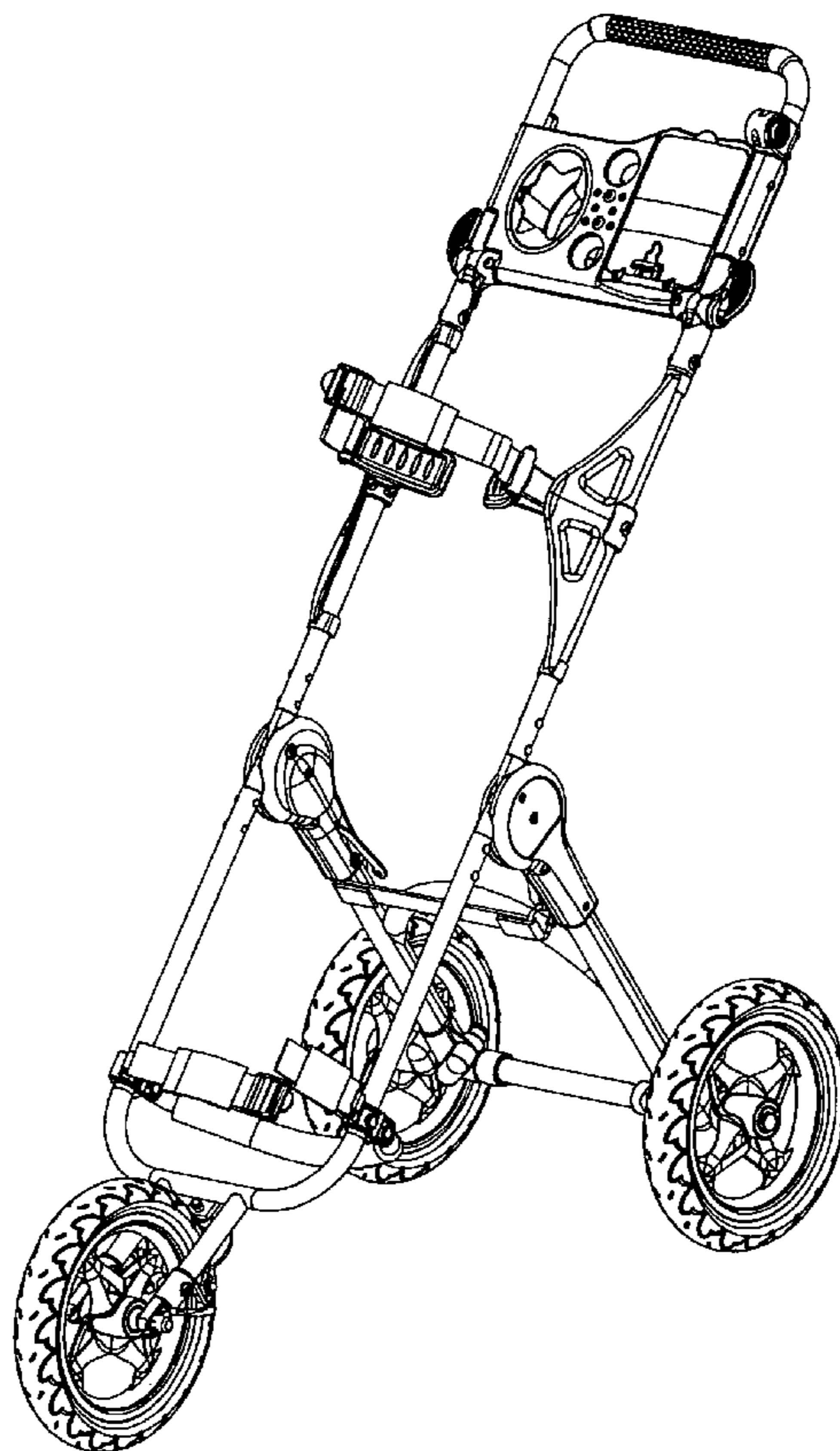
FIG. 4 is a left side elevational view thereof;

FIG. 5 is a right side elevational view thereof;

FIG. 6 is a top plan view thereof; and,

FIG. 7 is a bottom plan view thereof.

1 Claim, 7 Drawing Sheets



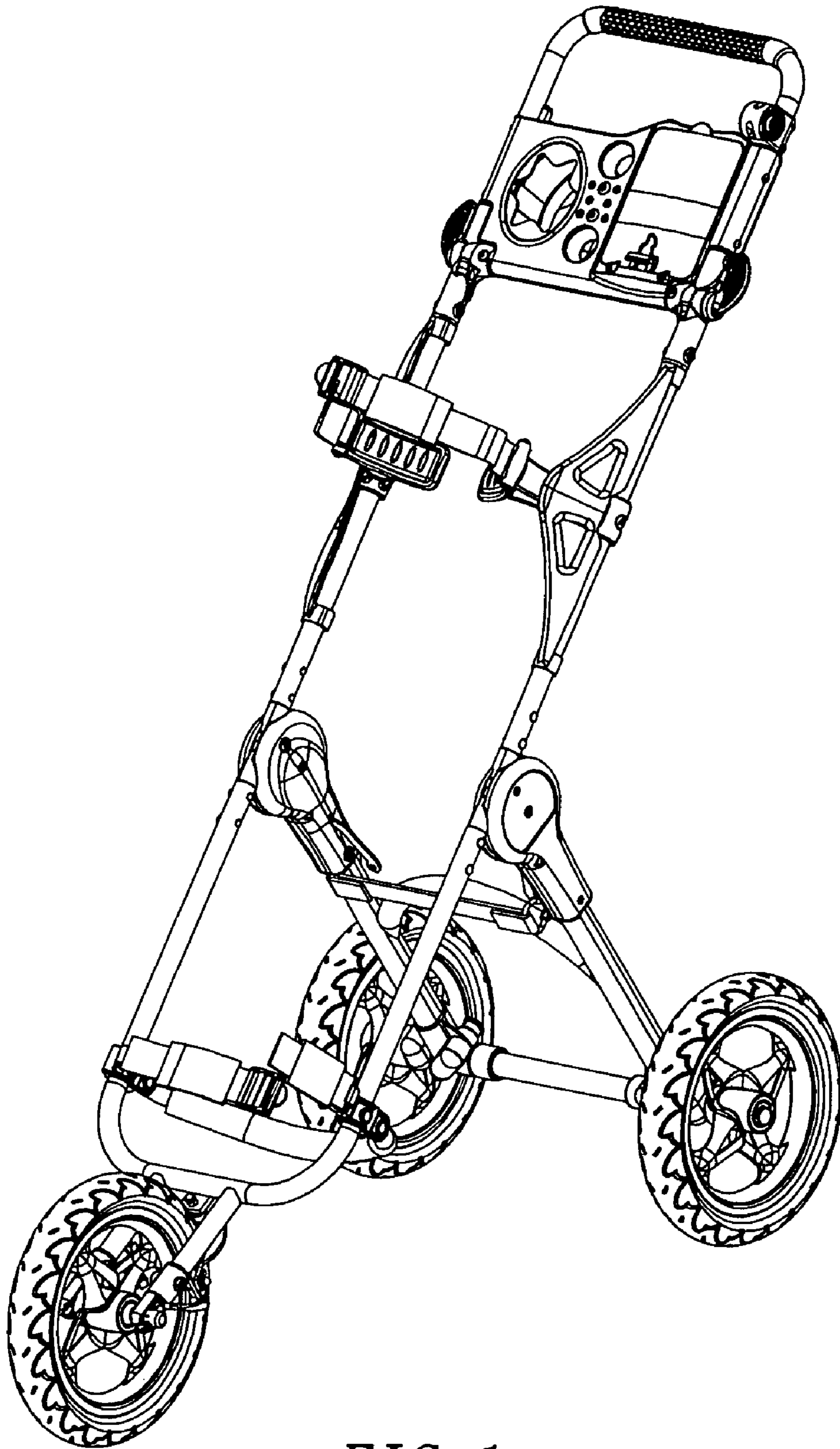


FIG. 1

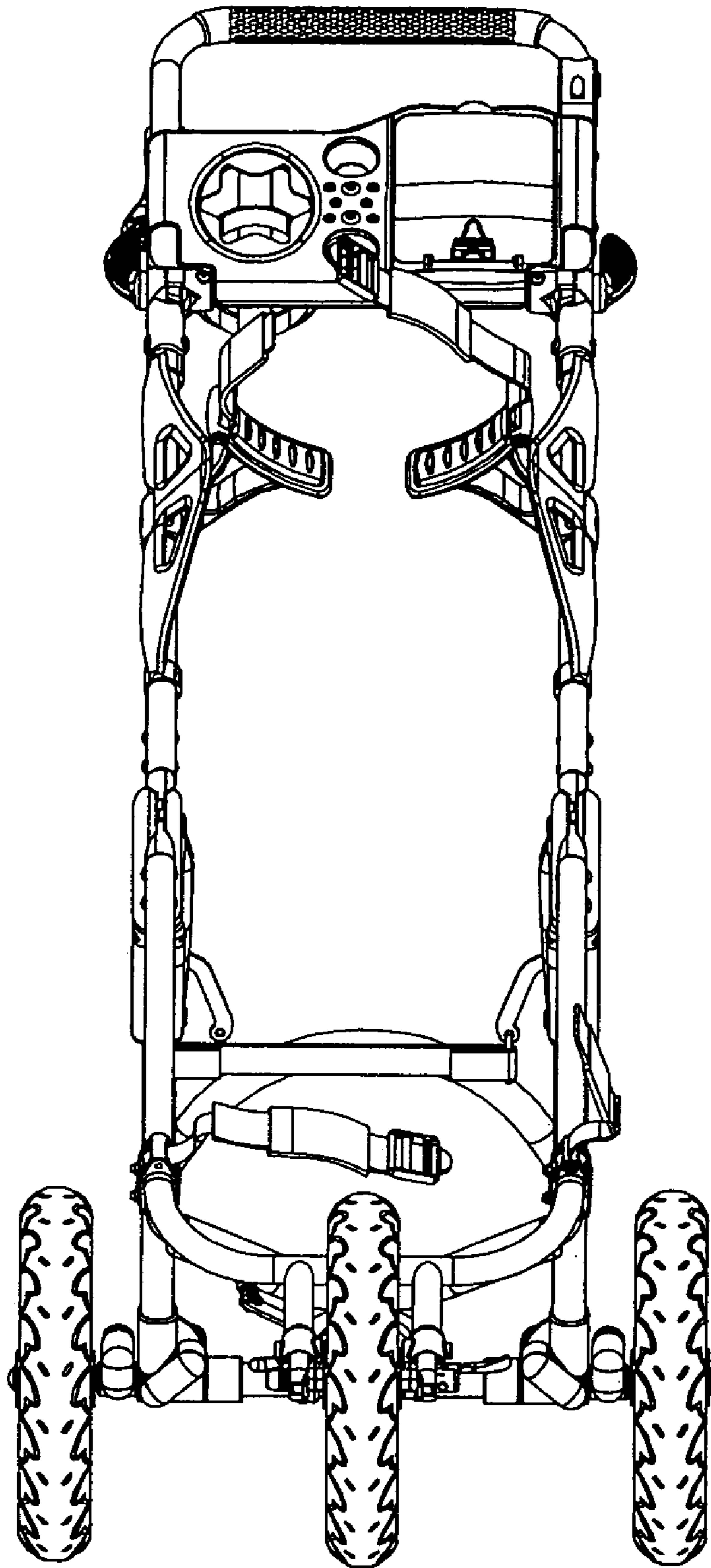


FIG. 2

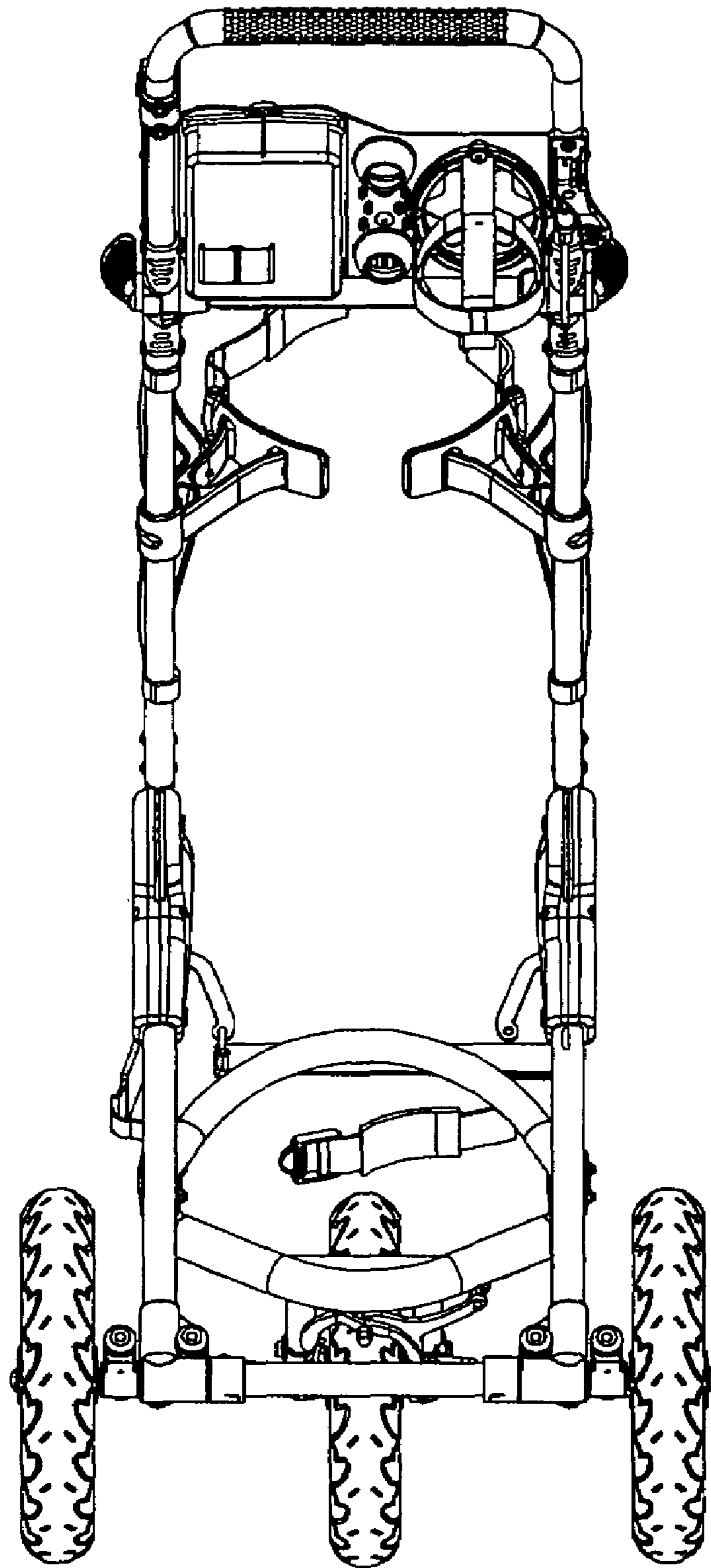


FIG. 3

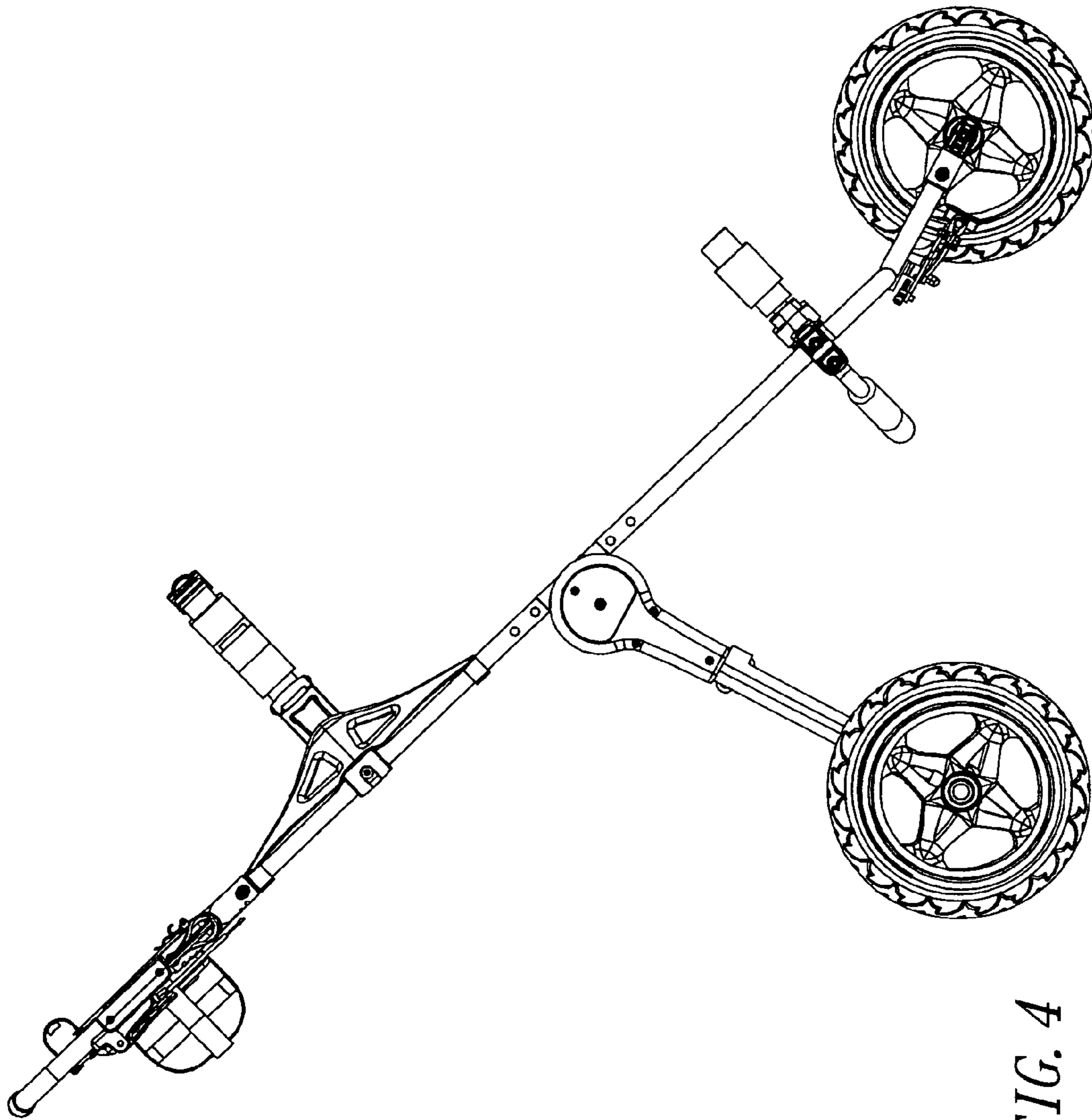


FIG. 4

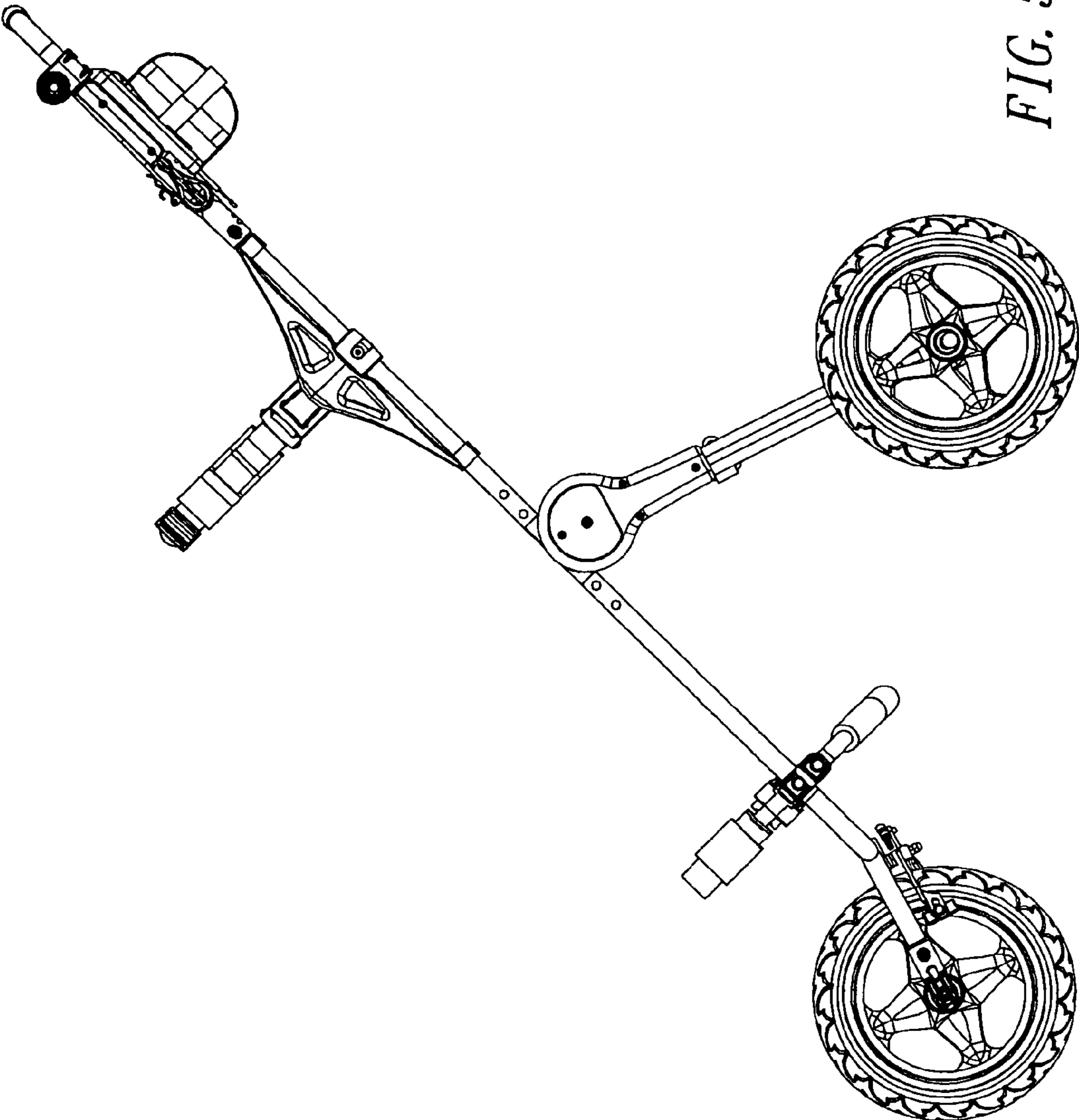


FIG. 5

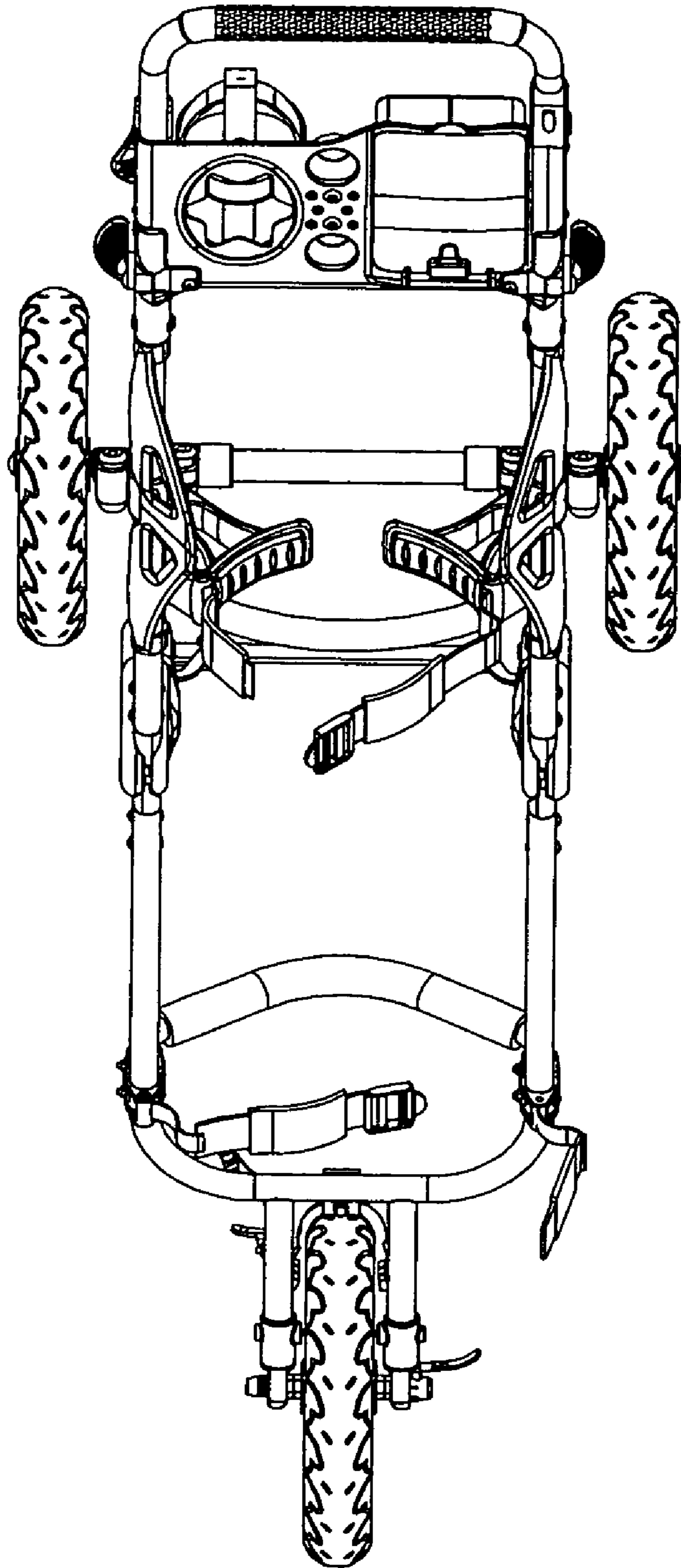


FIG. 6

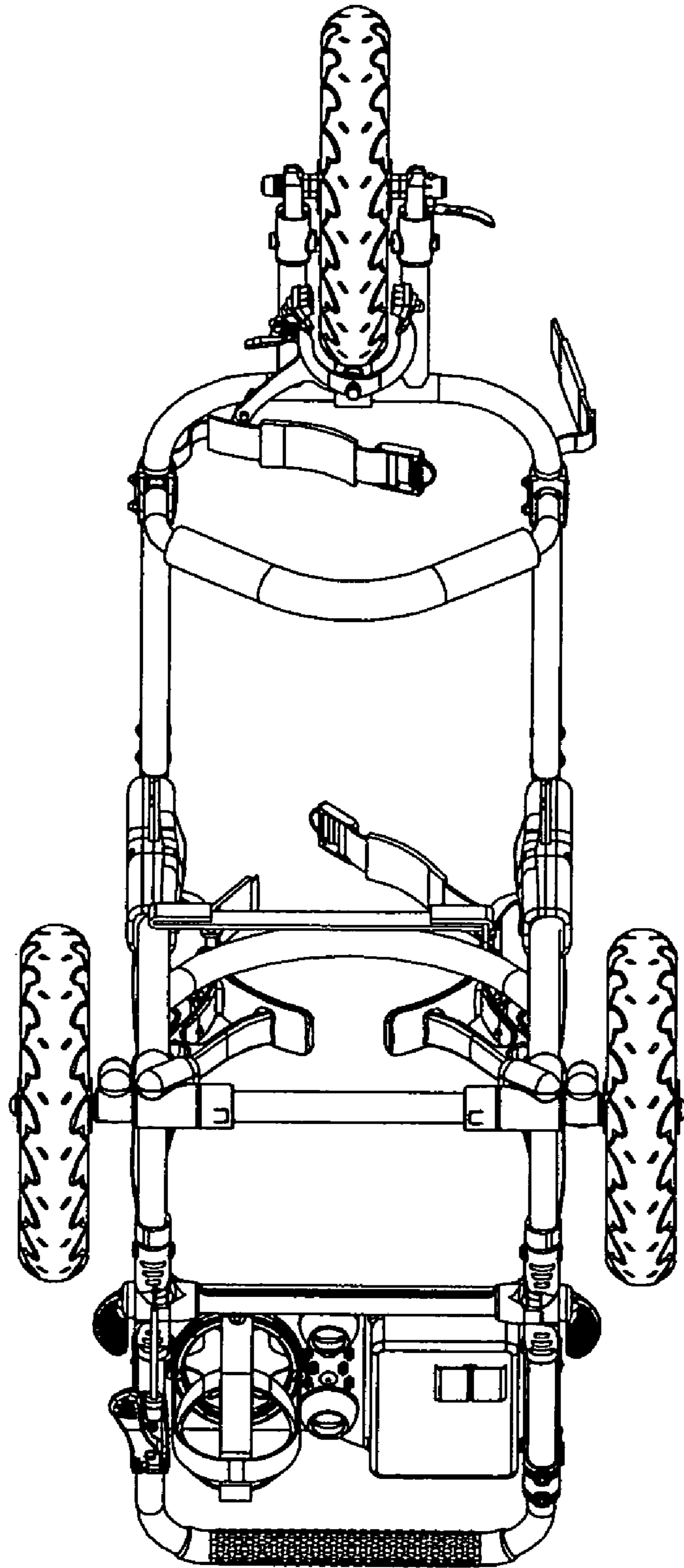


FIG. 7