

US00D548418S

(12) **United States Design Patent** (10) **Patent No.:** **US D548,418 S**  
**Cahen** (45) **Date of Patent:** **\*\* Aug. 7, 2007**

(54) **IRON AND STAND THEREFOR**

(75) Inventor: **Antoine Cahen**, Lausanne (CH)

(73) Assignee: **LauraStar S.A.**, Chatel-St. Denis (CH)

(\*\*) Term: **14 Years**

(21) Appl. No.: **29/230,980**

(22) Filed: **May 31, 2005**

(30) **Foreign Application Priority Data**

Nov. 30, 2004 (WO) ..... DM/066 419

(51) **LOC (8) Cl.** ..... **07-07**

(52) **U.S. Cl.** ..... **D32/70; D32/73**

(58) **Field of Classification Search** ..... D32/73,  
D32/71, 68; 38/15, 77.1-77.9, 79, 96, 106-107,  
38/69, 141-142; 248/117.1-117.8; 219/245-259;  
392/383

See application file for complete search history.

(56) **References Cited**

**U.S. PATENT DOCUMENTS**

D315,434 S *	3/1991	Paulin	.....	D32/68
D379,702 S *	6/1997	Gudefin et al.	.....	D32/73
D388,921 S *	1/1998	Doria	.....	D32/73
D423,163 S *	4/2000	Stutzer et al.	.....	D32/73
6,212,332 B1 *	4/2001	Sham et al.	.....	392/404
D452,354 S *	12/2001	Hsu	.....	D32/70
D463,641 S *	9/2002	Powell	.....	D32/71
D466,261 S *	11/2002	Wu	.....	D32/70
D470,637 S *	2/2003	Berthier	.....	D32/73
D470,986 S *	2/2003	Berthier	.....	D32/73
D484,658 S *	12/2003	Schupp	.....	D32/73
6,711,840 B1 *	3/2004	Rosenzweig	.....	38/69

\* cited by examiner

*Primary Examiner*—Pamela J. Burgess  
(74) *Attorney, Agent, or Firm*—Nixon & Vanderhye P.C.

(57) **CLAIM**

The ornamental design for an “iron and stand therefor,” as shown and described.

**DESCRIPTION**

Embodiment 1

FIG. 1 is a top plan view of an iron and stand therefor according to my design;

FIG. 2 is a front elevational view thereof;

FIG. 3 is a top, left side and front perspective view thereof;

FIG. 4 is a left side elevational view thereof;

FIG. 5 is a rear elevational view thereof;

FIG. 6 is an enlarged right side elevational view thereof;

FIG. 7 is a top, right side and rear perspective view thereof;

Embodiment 2

FIG. 8 is a top plan view of an iron and stand therefor according to another embodiment hereof;

FIG. 9 is a front elevational view thereof;

FIG. 10 is a top, left side and front perspective view thereof;

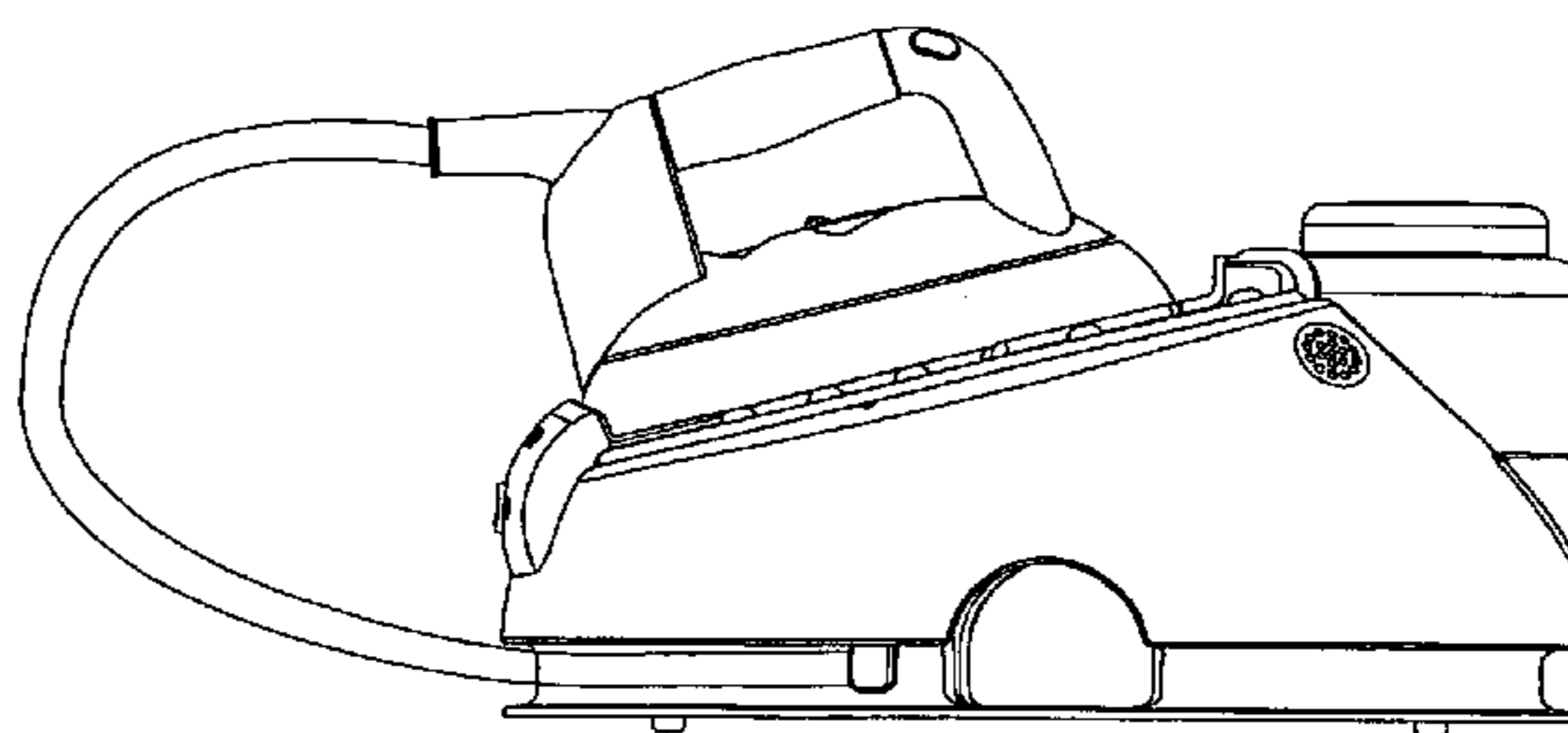
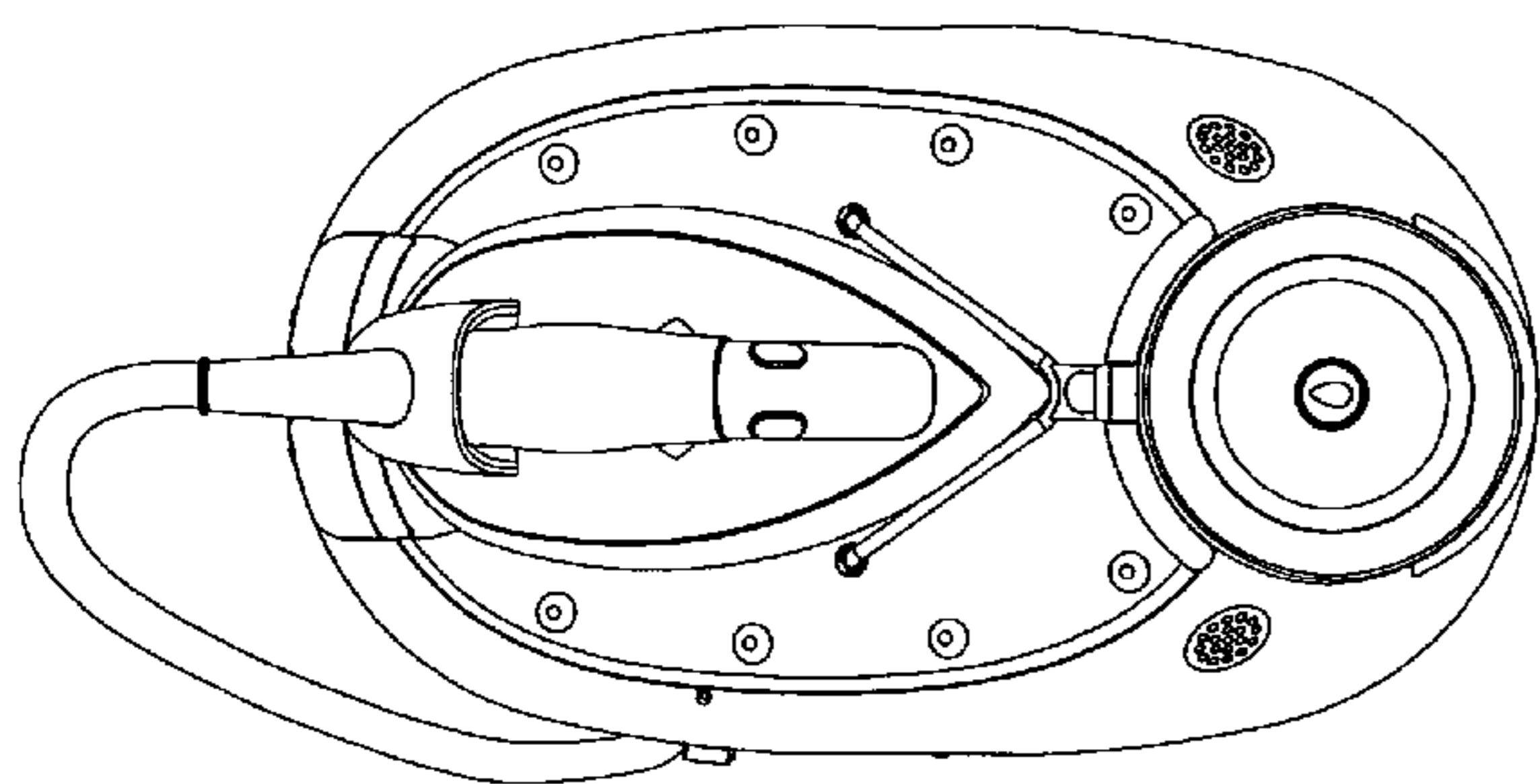
FIG. 11 is an enlarged right side elevational view thereof;

FIG. 12 is a rear elevational view thereof;

FIG. 13 is a left side elevational view thereof; and,

FIG. 14 is a top, right side and rear perspective view thereof.

**1 Claim, 7 Drawing Sheets**



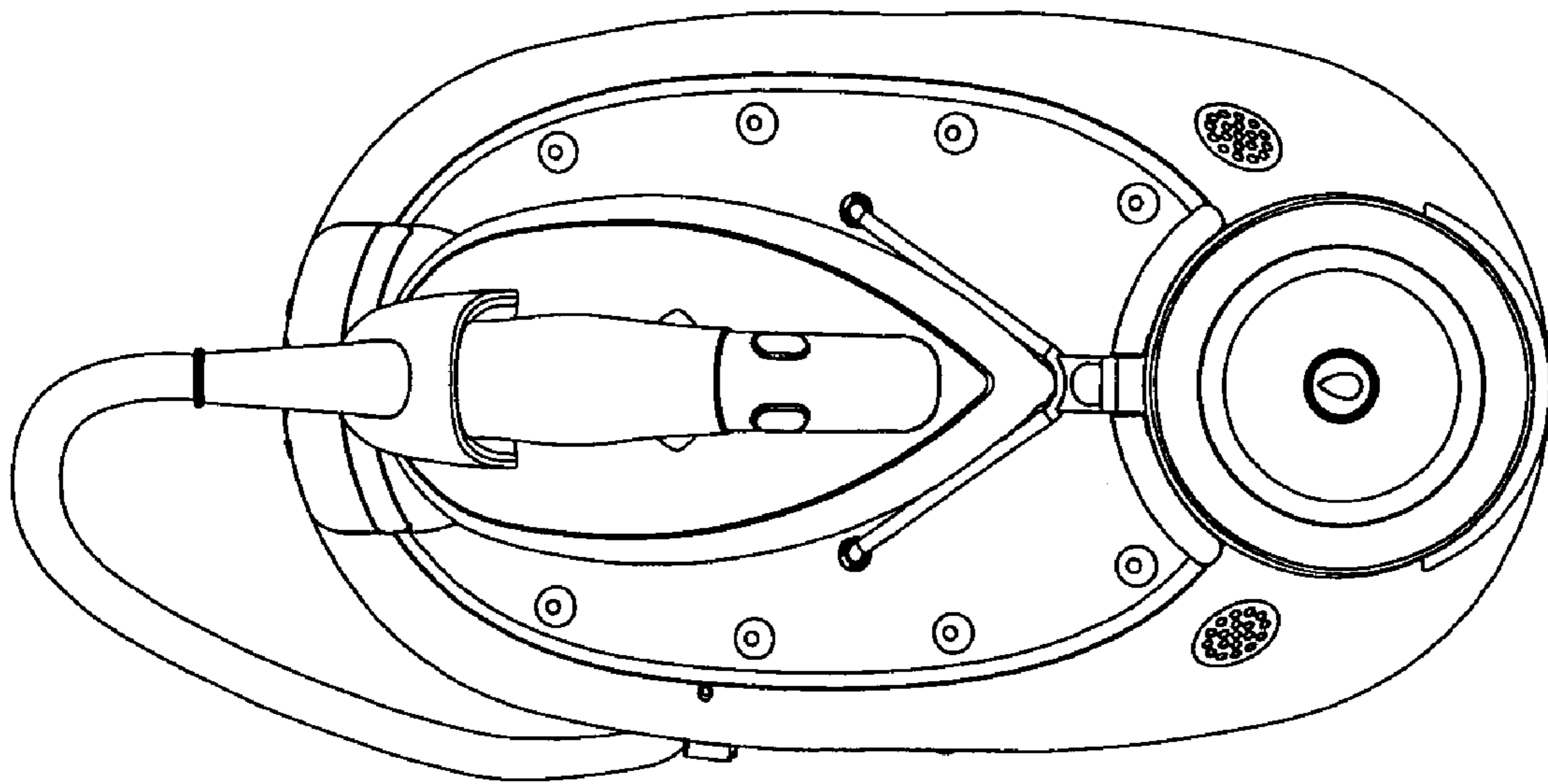


Fig. 1

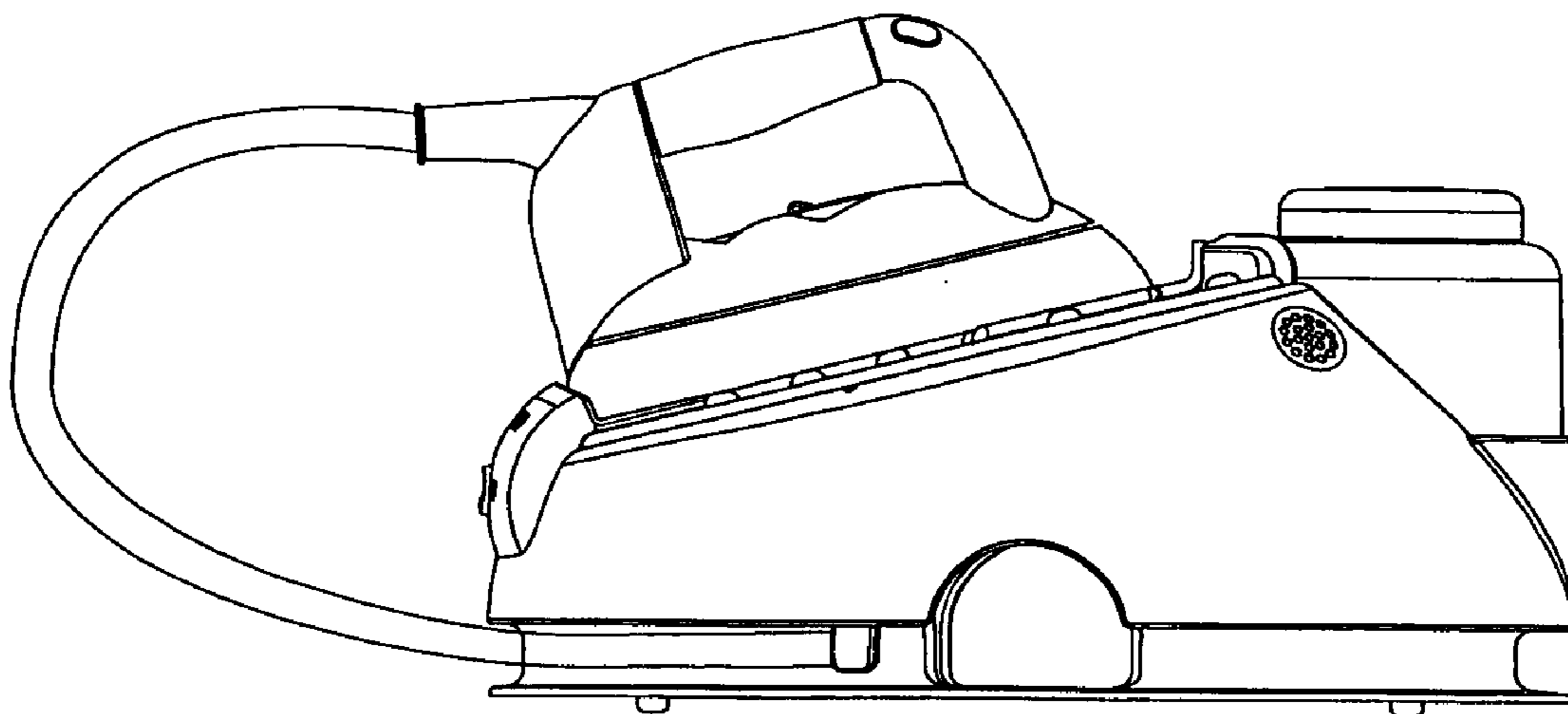


Fig. 2

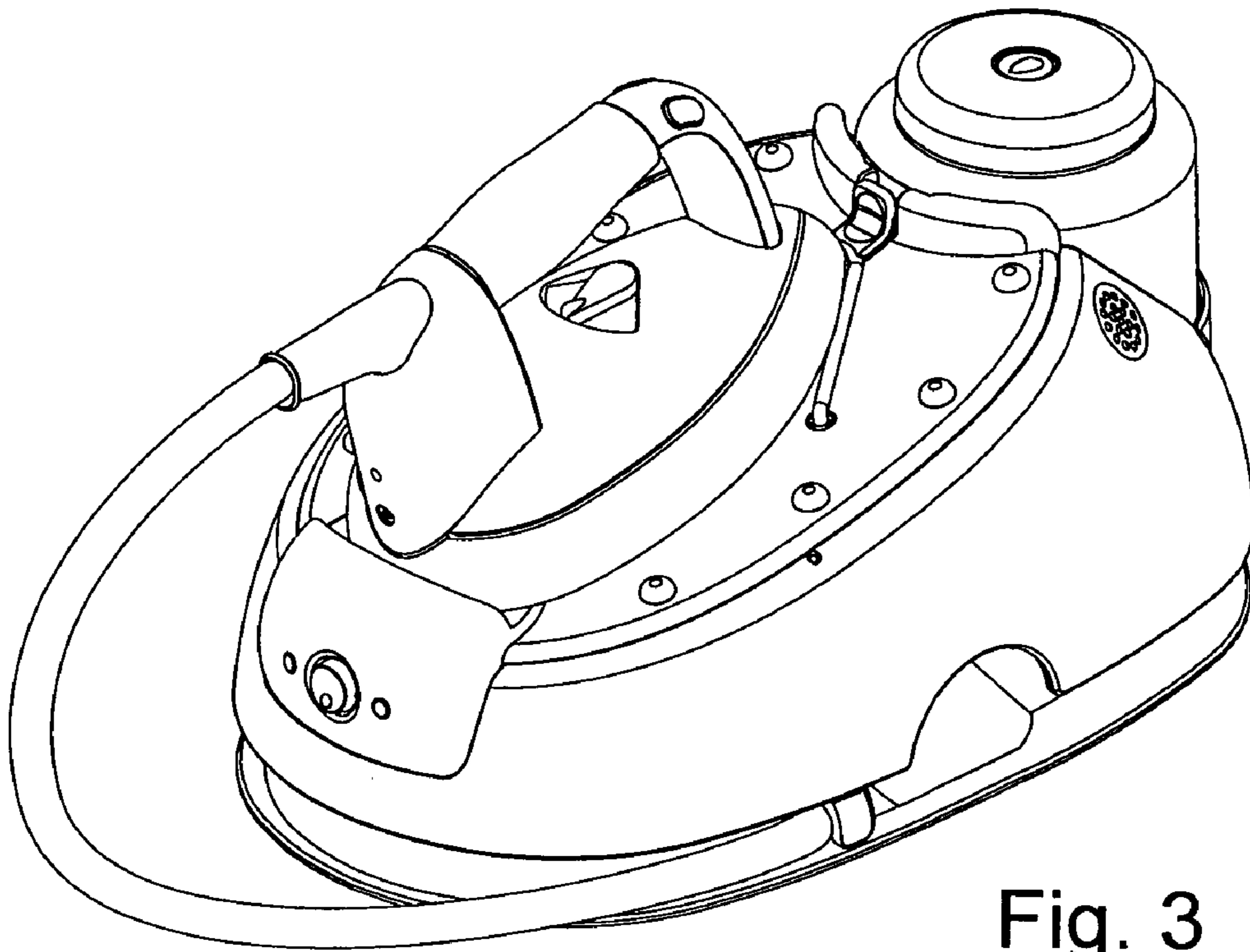


Fig. 3

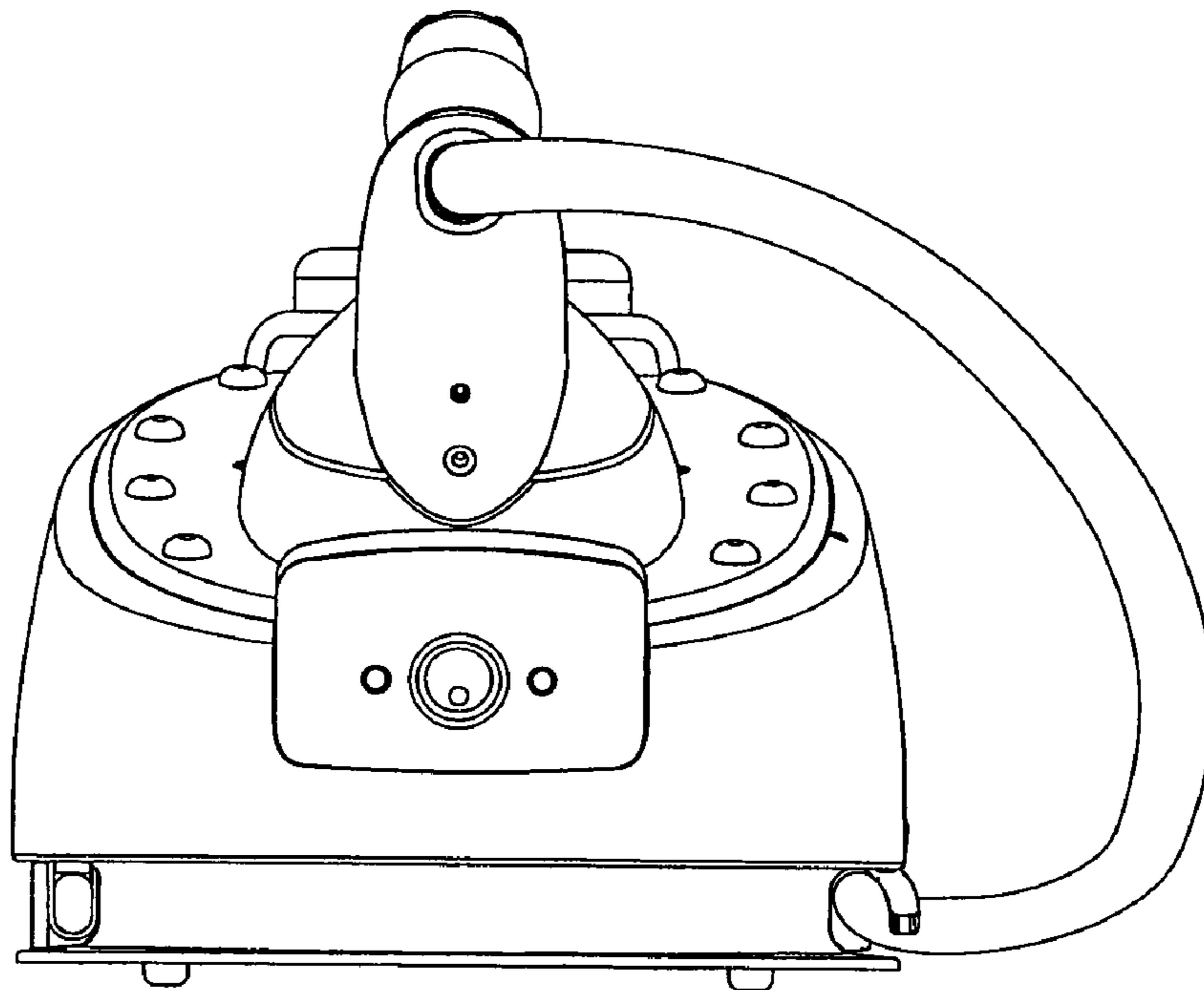


Fig. 4

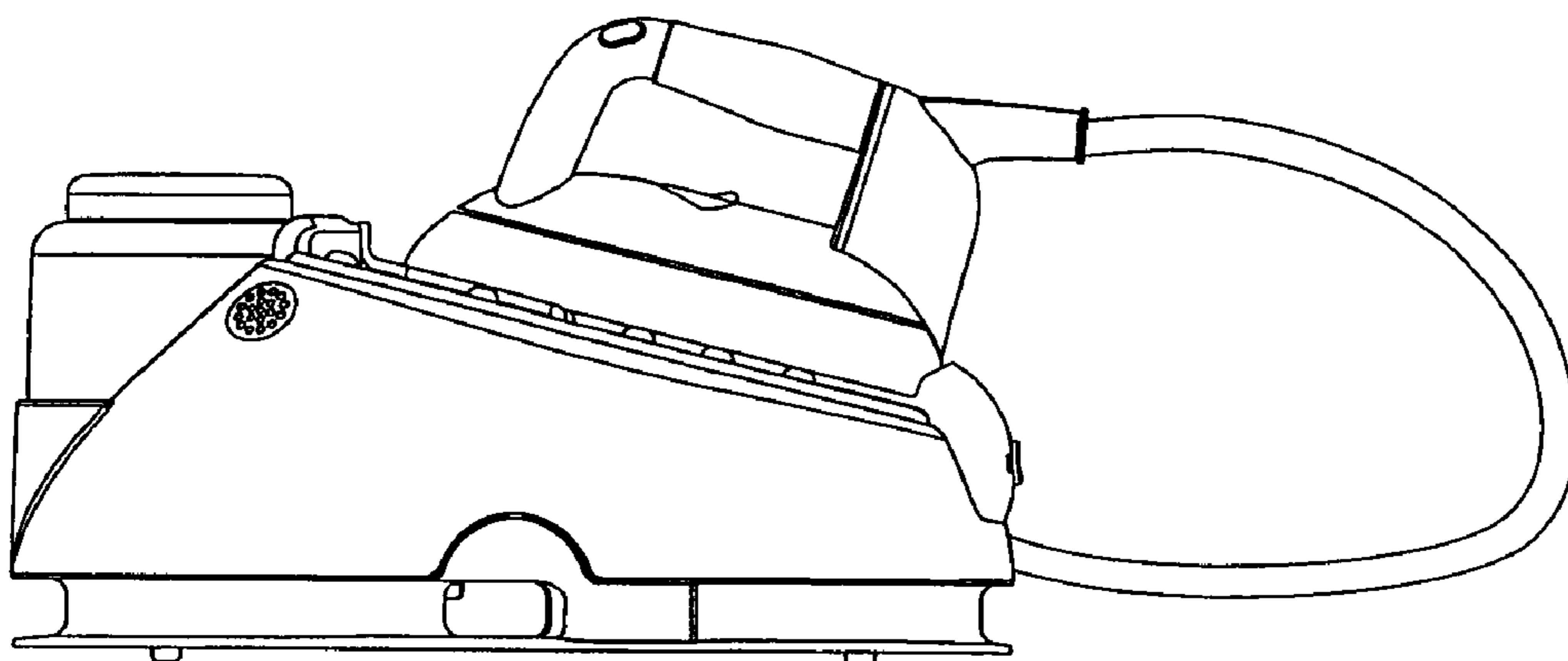


Fig. 5

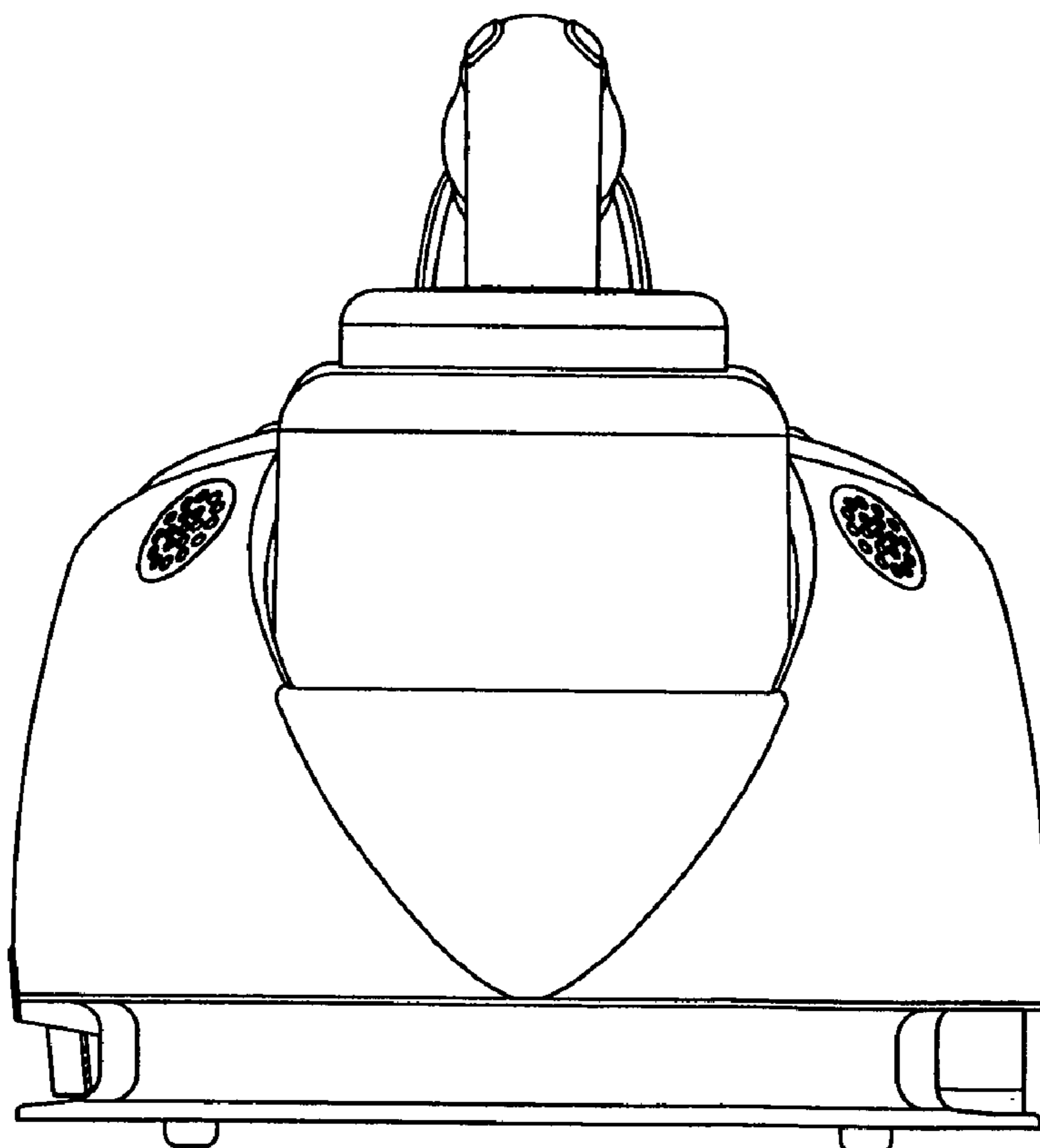


Fig. 6

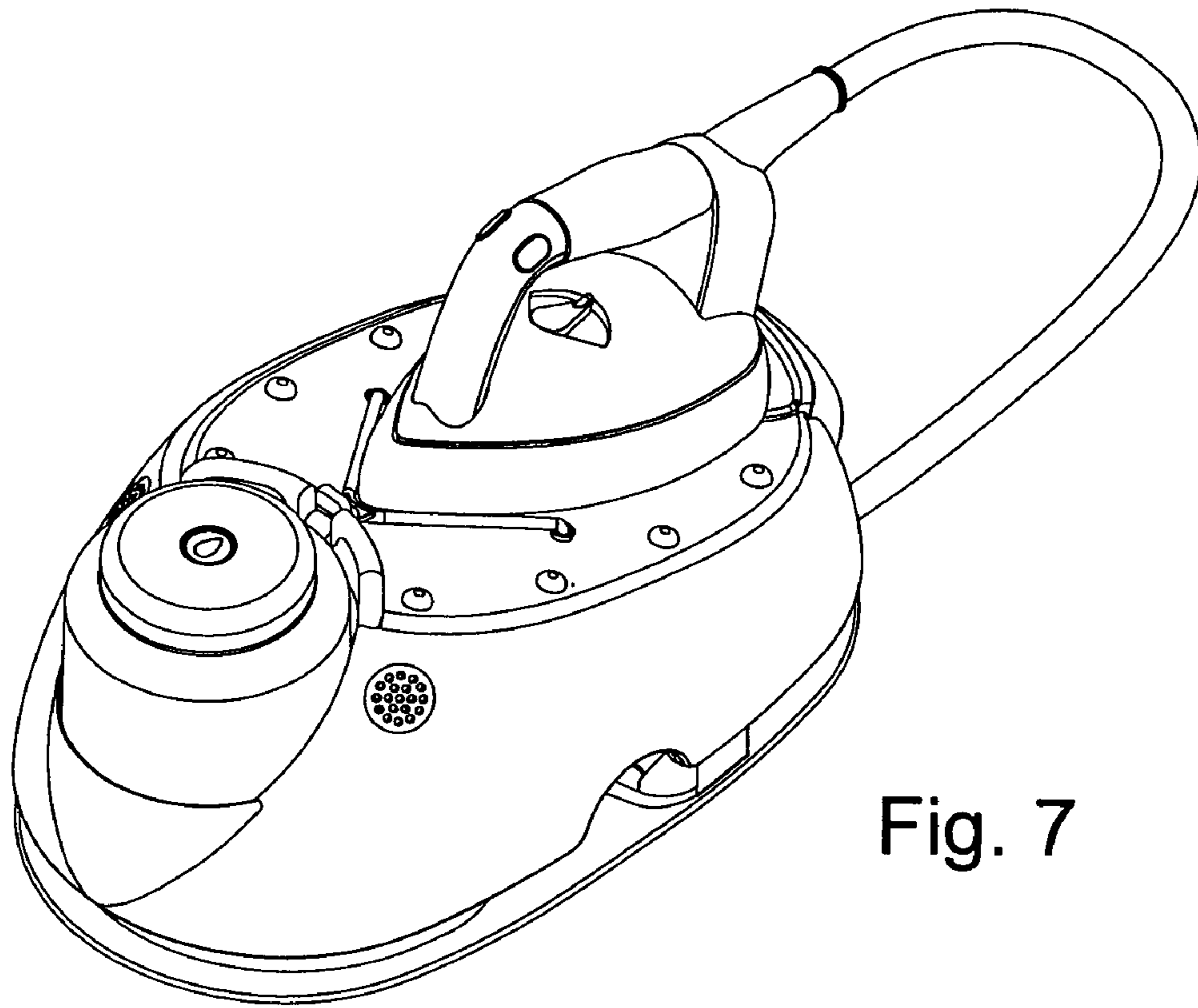


Fig. 7

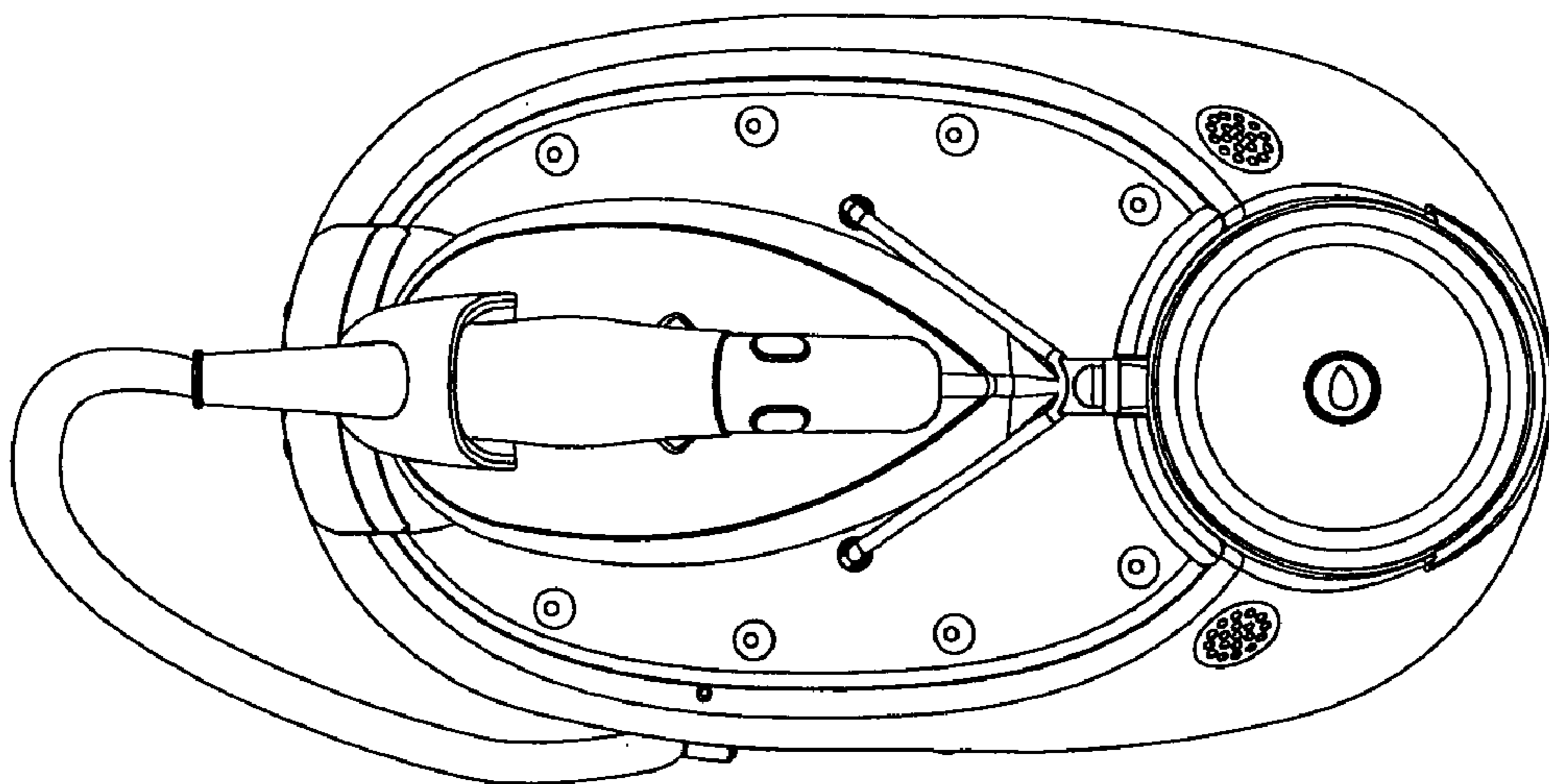


Fig. 8

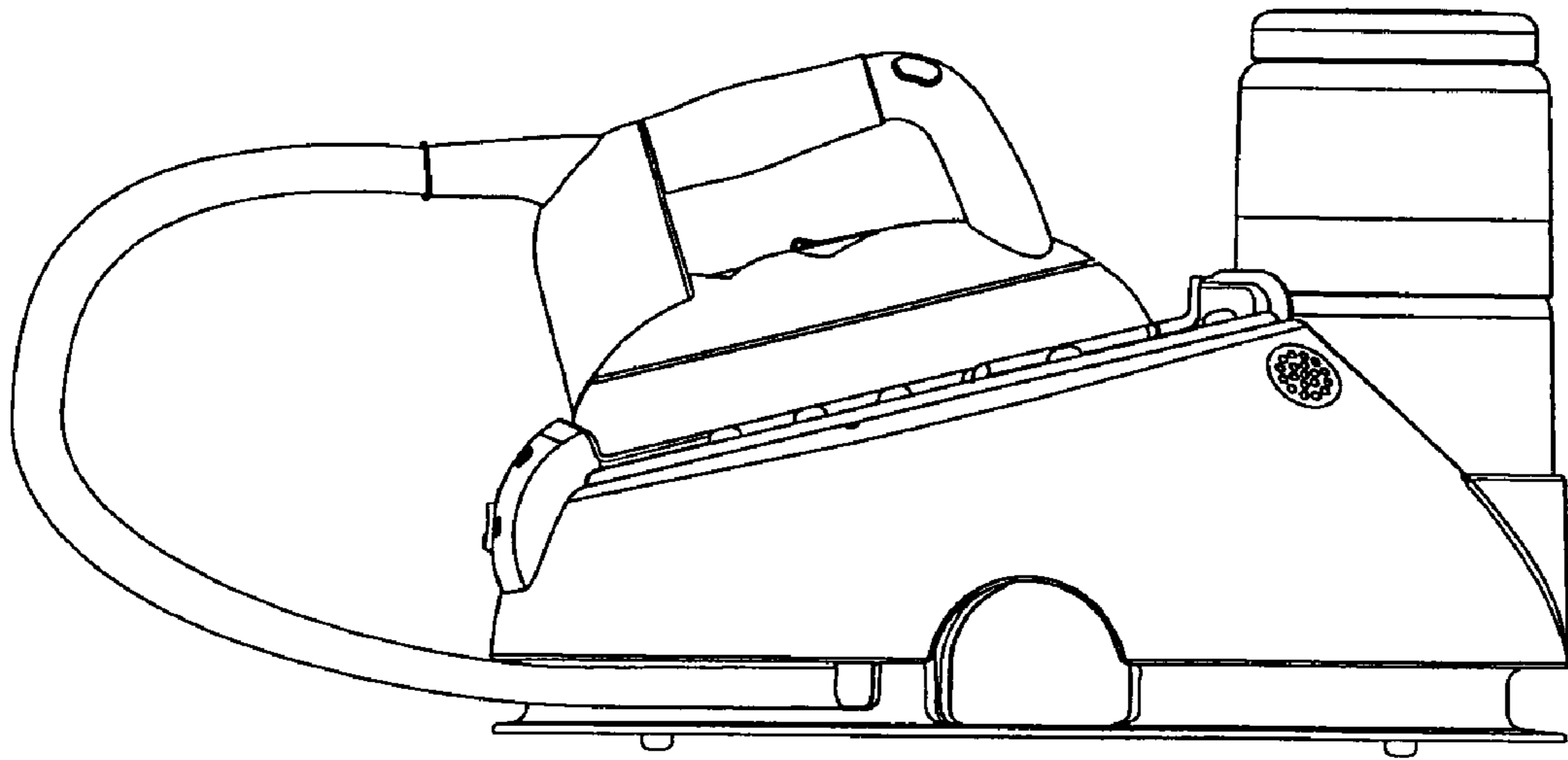


Fig. 9

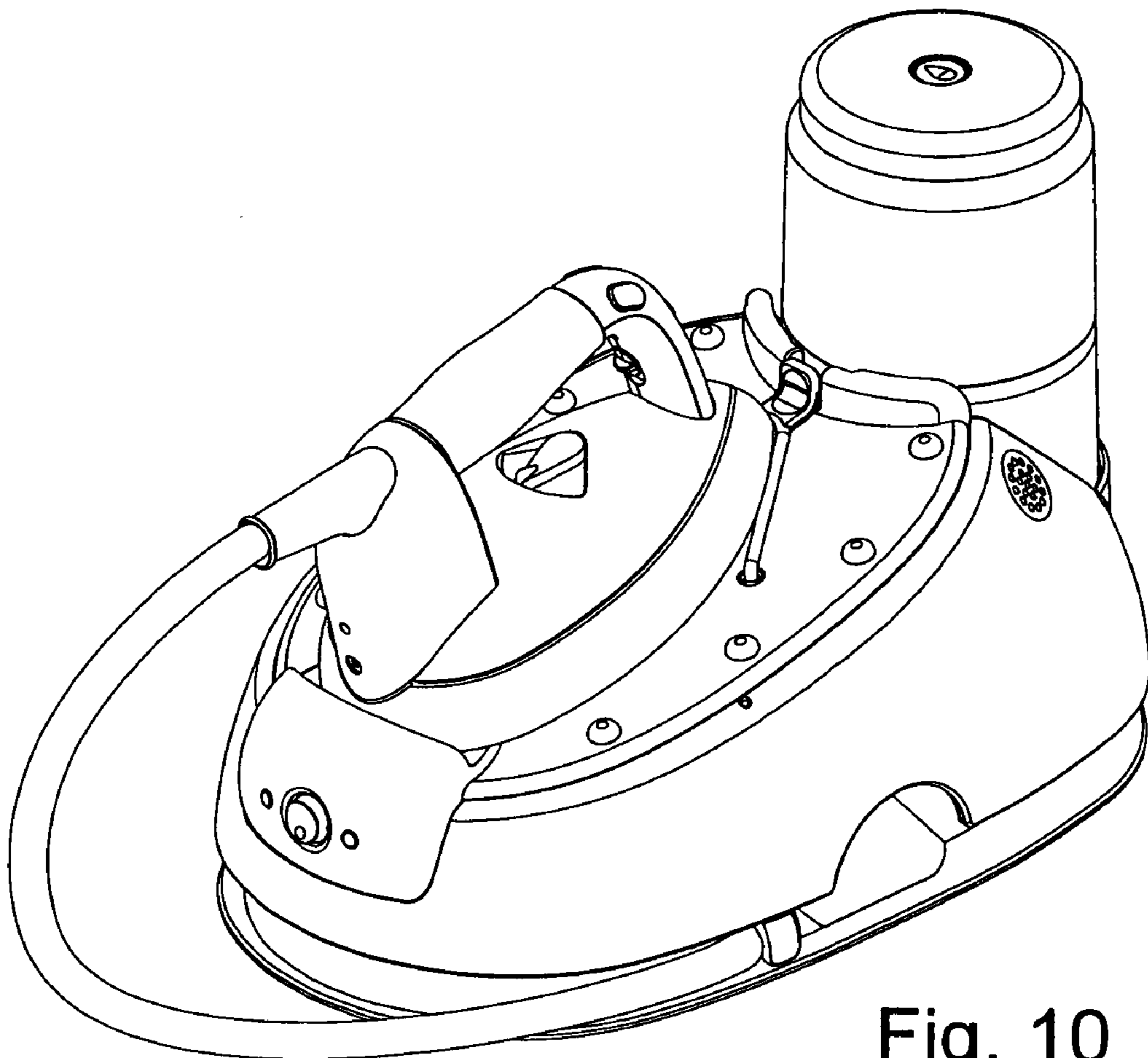


Fig. 10

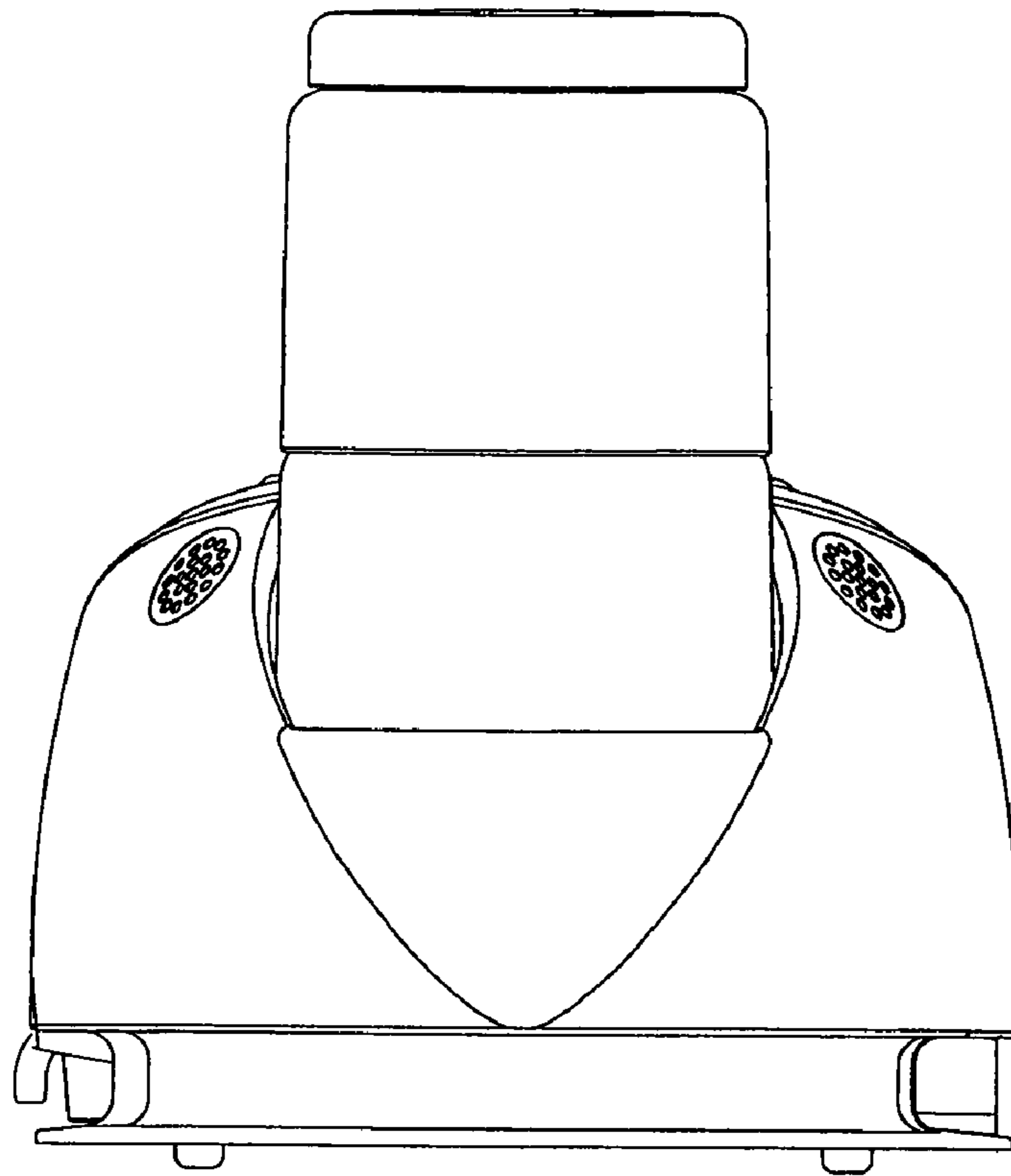


Fig. 11

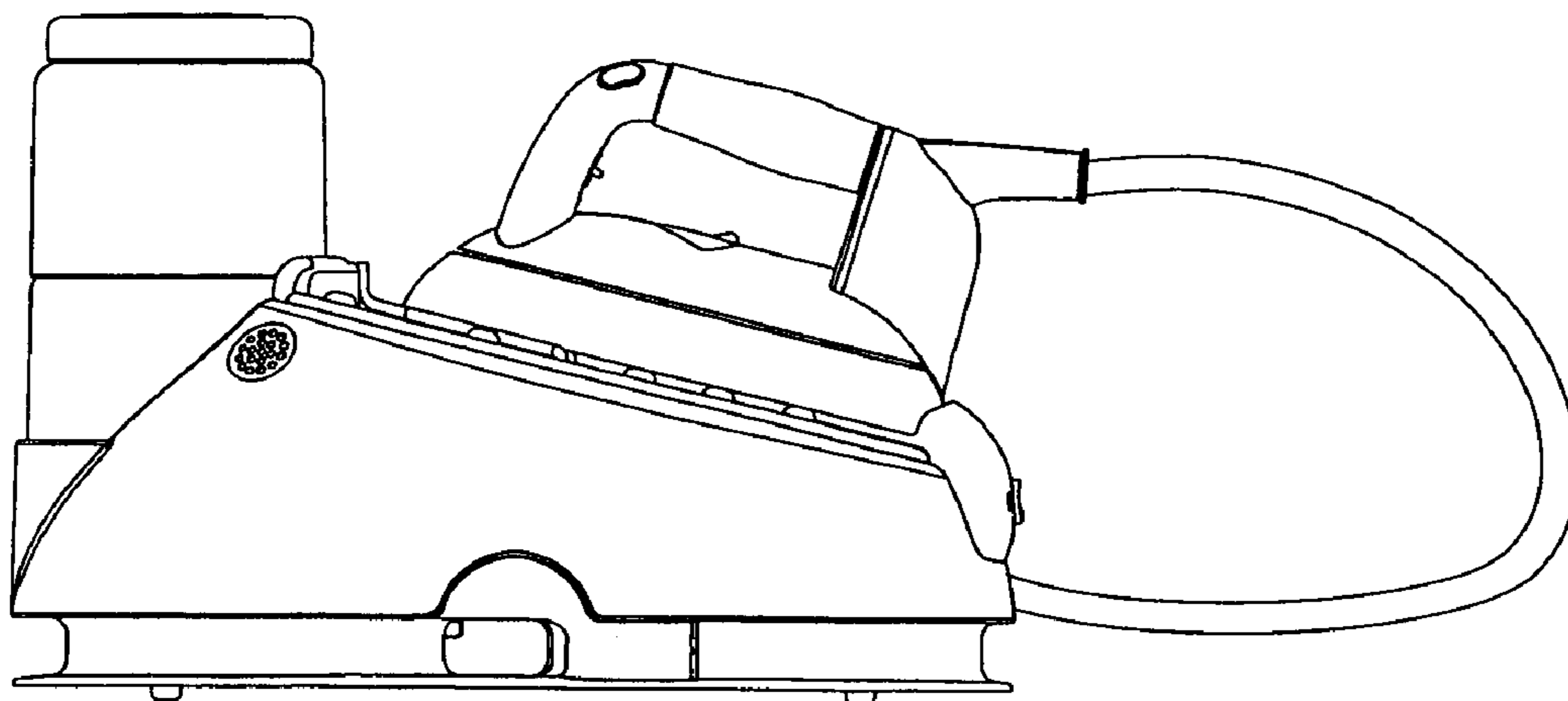


Fig. 12

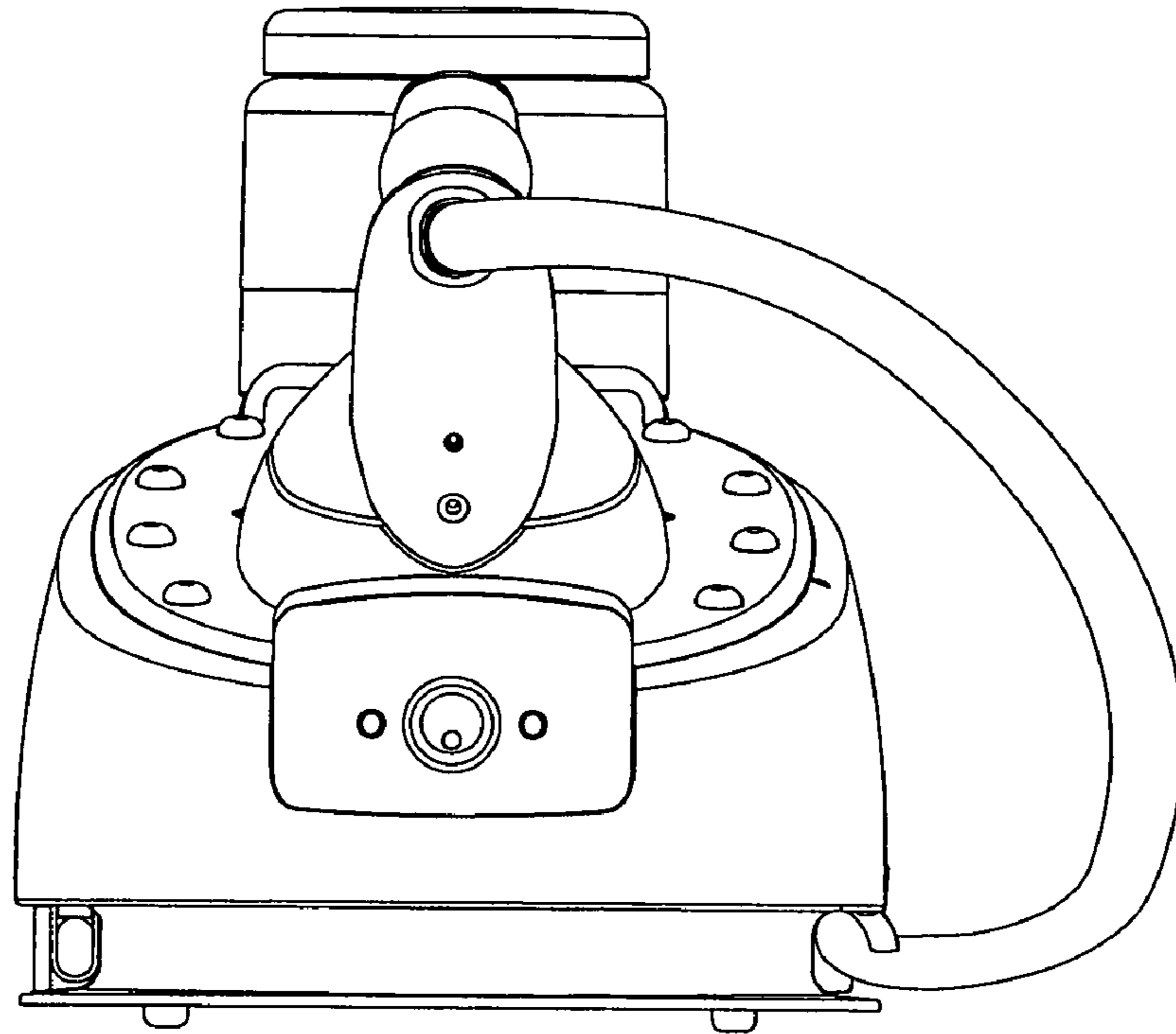


Fig. 13

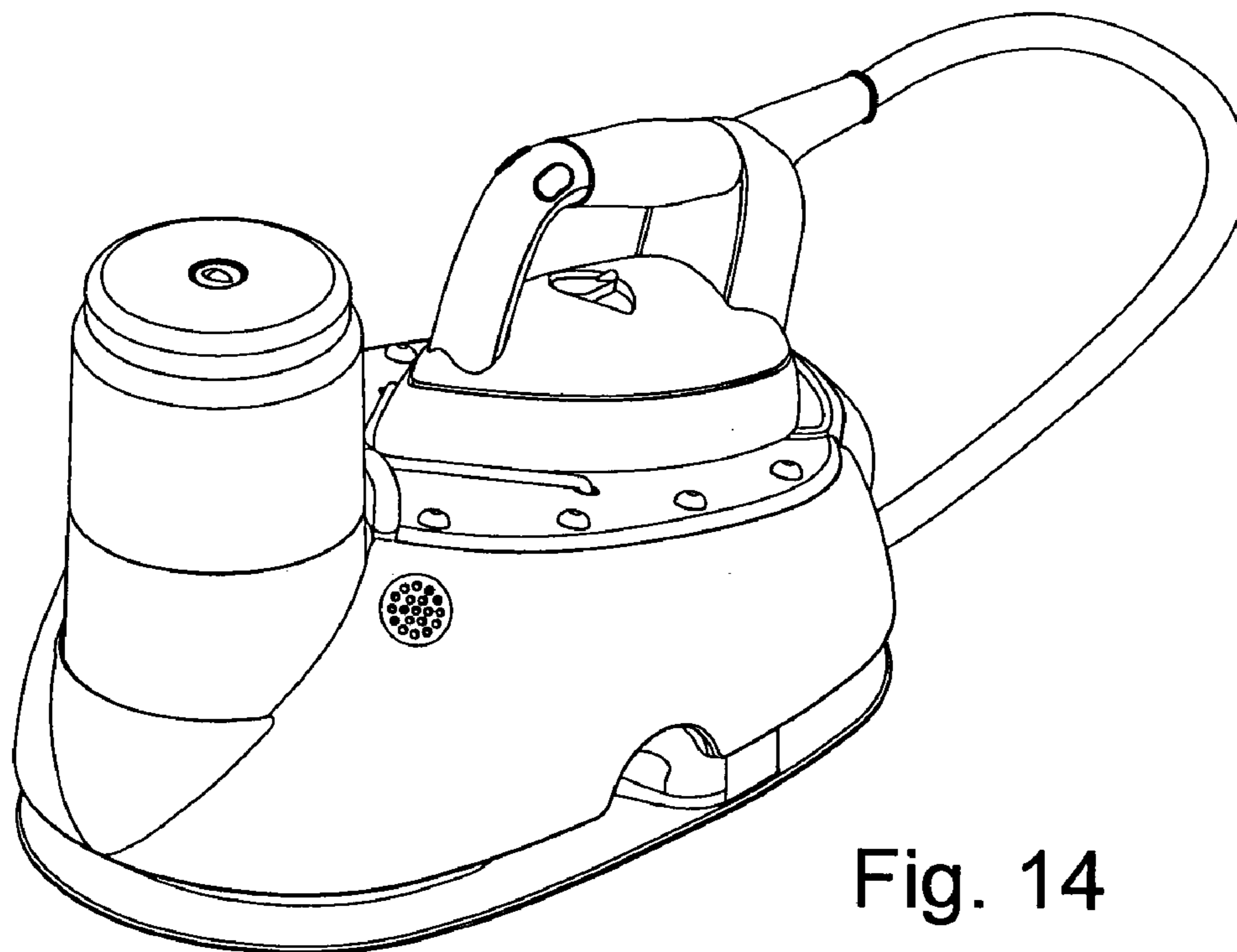


Fig. 14