

US00D548417S

(12) **United States Design Patent**  
**Kohn**

(10) **Patent No.:** **US D548,417 S**

(45) **Date of Patent:** **\*\* Aug. 7, 2007**

(54) **PAINT TRAY COVER WITH SUPPORT MEANS FOR A PAINT CAN**

(76) Inventor: **Peter Kohn**, 162-21 Powell Cove Blvd., Whitestone, NY (US) 11357

(\*\*) Term: **14 Years**

(21) Appl. No.: **29/185,726**

(22) Filed: **Jul. 2, 2003**

(51) **LOC (8) Cl.** ..... **07-07**

(52) **U.S. Cl.** ..... **D32/54**

(58) **Field of Classification Search** ..... D32/53, D32/53.1, 54; D9/435, 436; 15/257.06; 220/212, 220/377, 570, 571.1, 737, 740, 780, 782, 220/783, 790, 796-798, 802; 248/146, 176.1, 248/346.03

See application file for complete search history.

(56) **References Cited**

**U.S. PATENT DOCUMENTS**

- 3,642,239 A \* 2/1972 Zeiler, Jr. .... 248/146 X
- D289,456 S \* 4/1987 Florentino ..... D32/53.1
- 4,890,807 A \* 1/1990 Desjardins ..... 248/146
- 4,998,696 A \* 3/1991 Desjardins ..... 248/146
- D351,792 S \* 10/1994 Morris, Sr. .... D9/435 X

D400,329 S \* 10/1998 Lindo ..... D32/53.1

\* cited by examiner

*Primary Examiner*—Alan P. Douglas

*Assistant Examiner*—Lavone D. Tabor

(74) *Attorney, Agent, or Firm*—Goldstein Law Offices, PC

(57) **CLAIM**

The ornamental design for a paint tray cover with support means for a paint can, as shown and described.

**DESCRIPTION**

FIG. 1 is a perspective view of a paint tray cover with support means for a paint can in full lines with a paint tray shown in broken lines representing environmental association matter being for illustrative purposes only and forming no part of the claimed invention.

FIG. 2 is a perspective view of the paint tray cover with support means for a paint can.

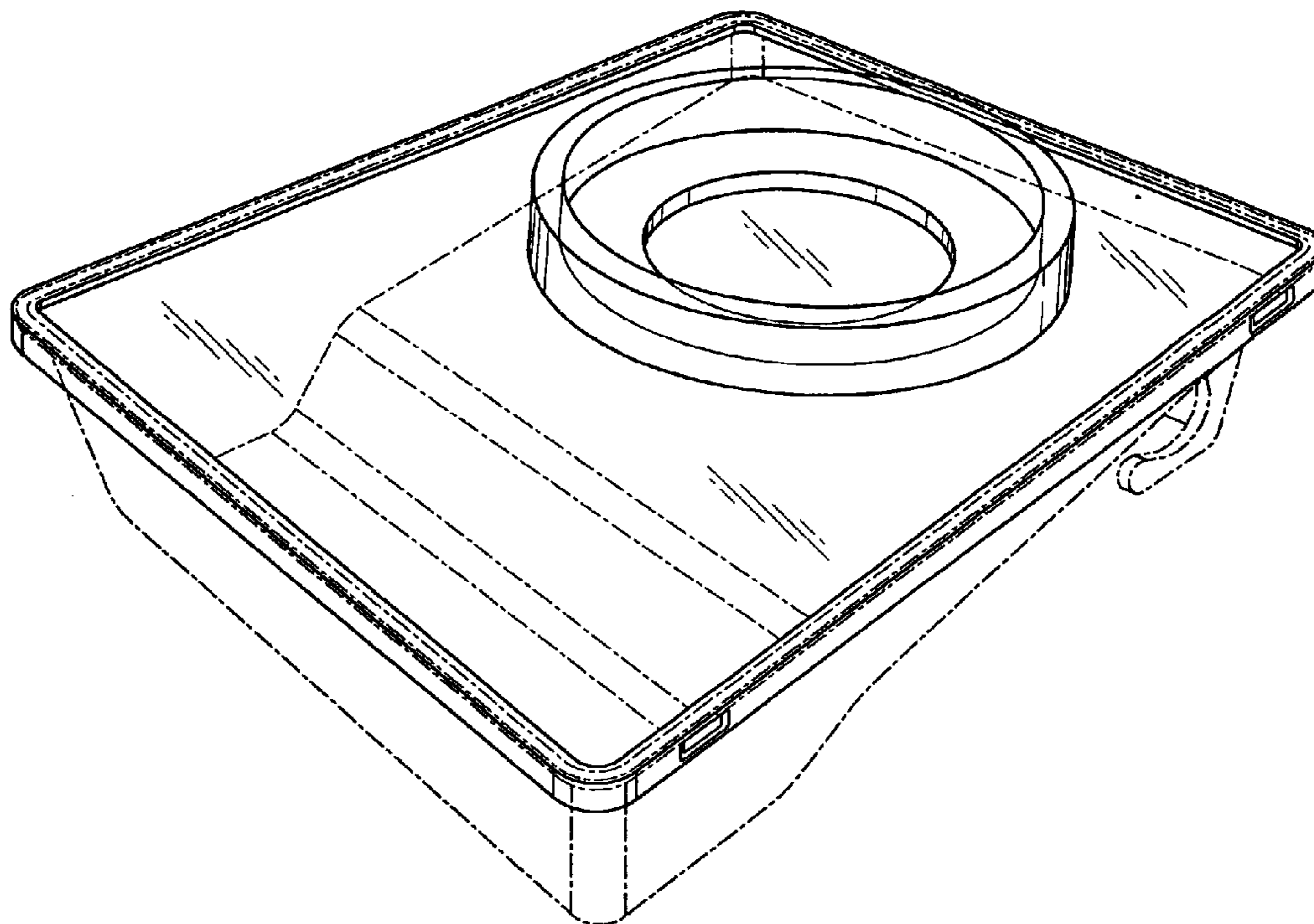
FIG. 3 is a top plan view thereof.

FIG. 4 is a bottom plan view thereof.

FIG. 5 is a right side elevational view thereof, the left side elevational view being a mirror image of the right side view; and,

FIG. 6 is a front elevational view thereof, the rear elevational view being a mirror image of the front view.

**1 Claim, 5 Drawing Sheets**



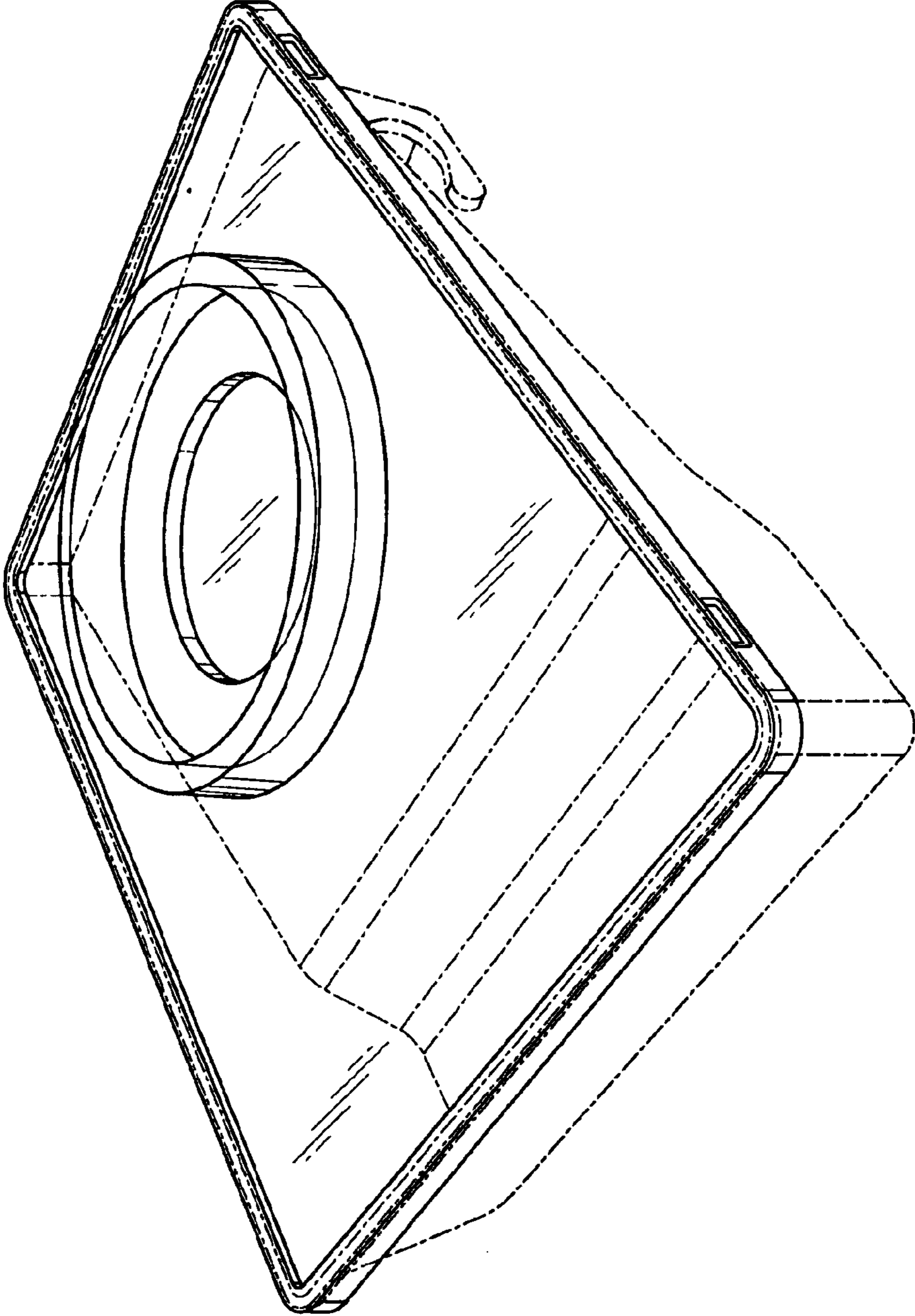


FIG. 1

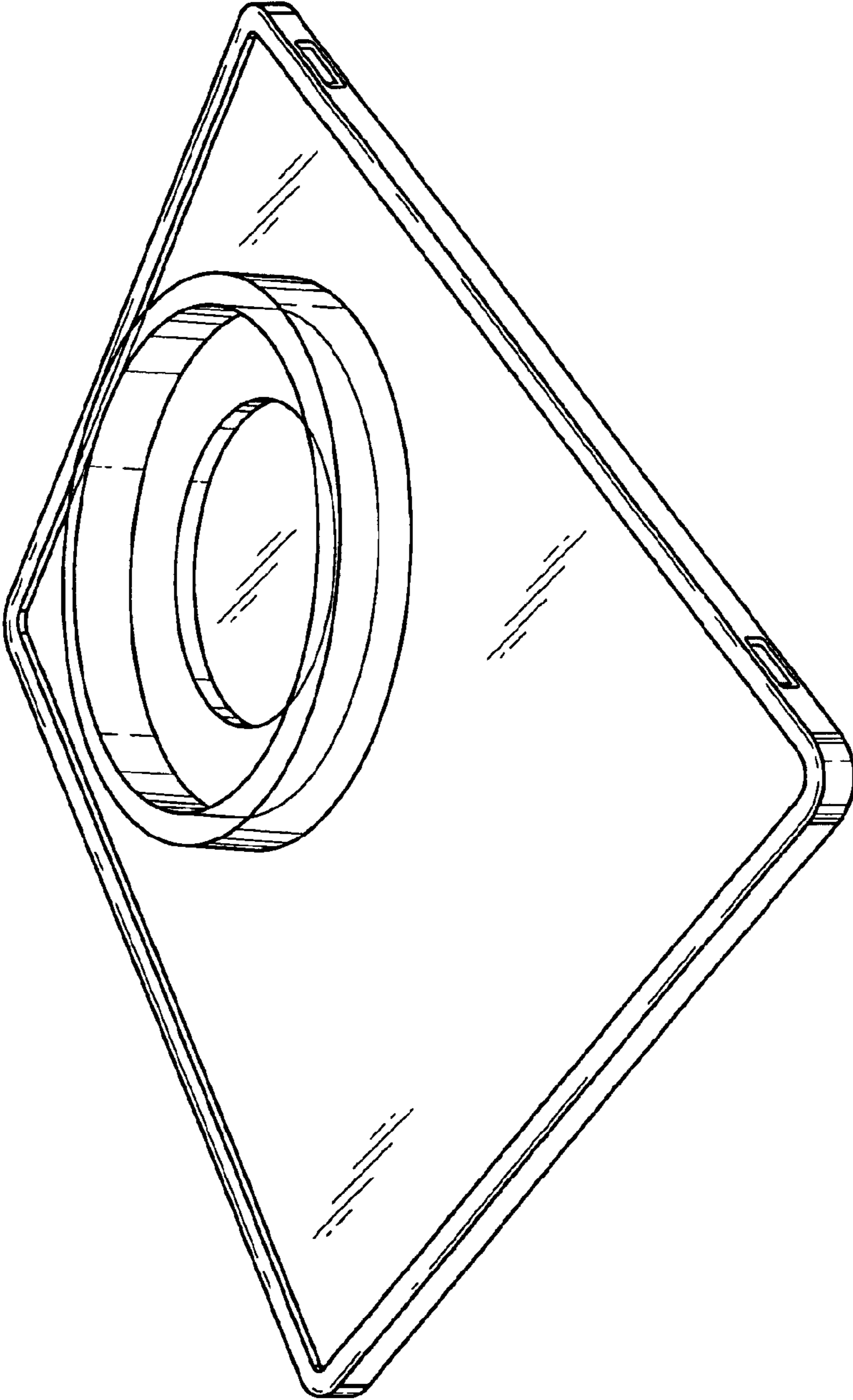


FIG. 2

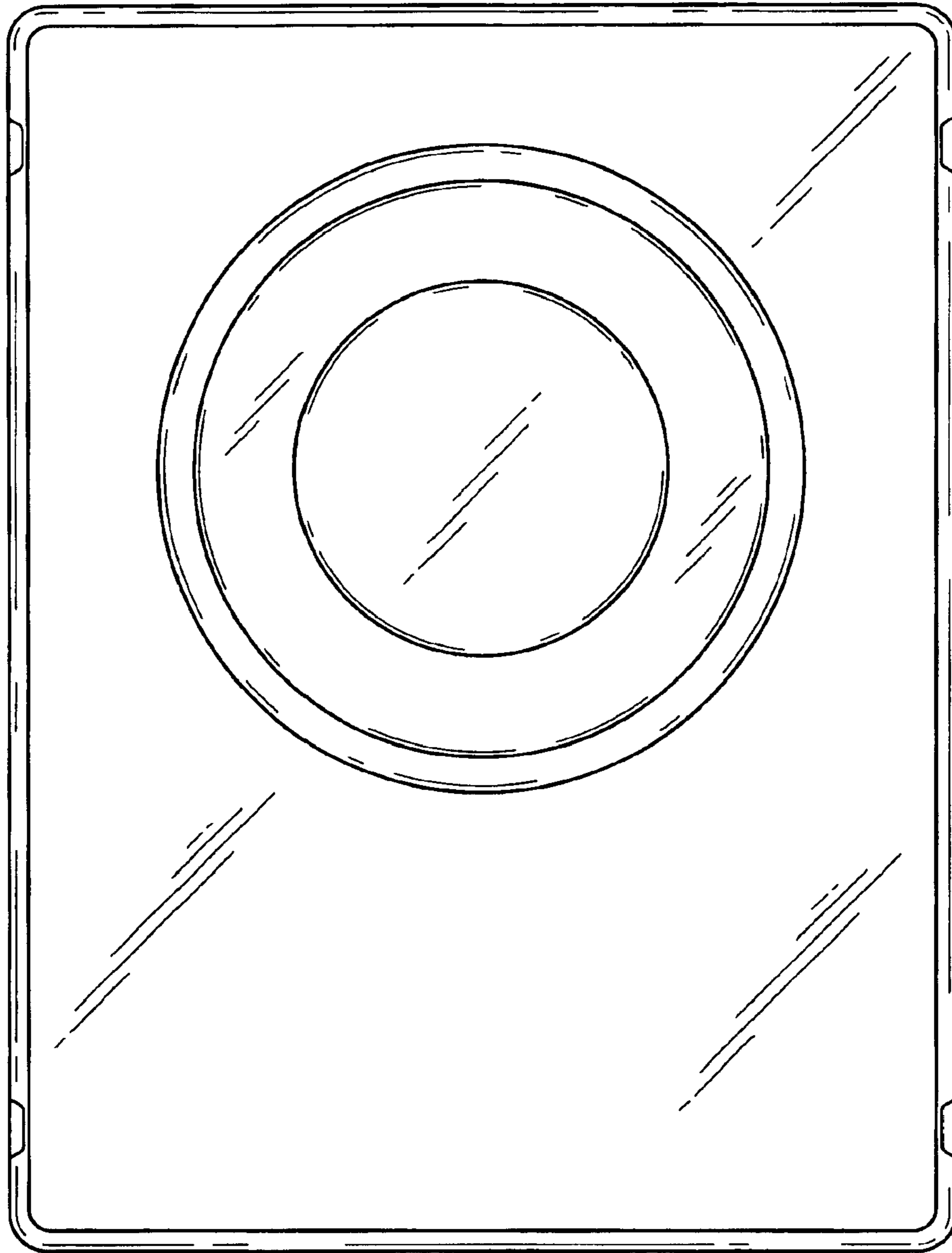


FIG. 3

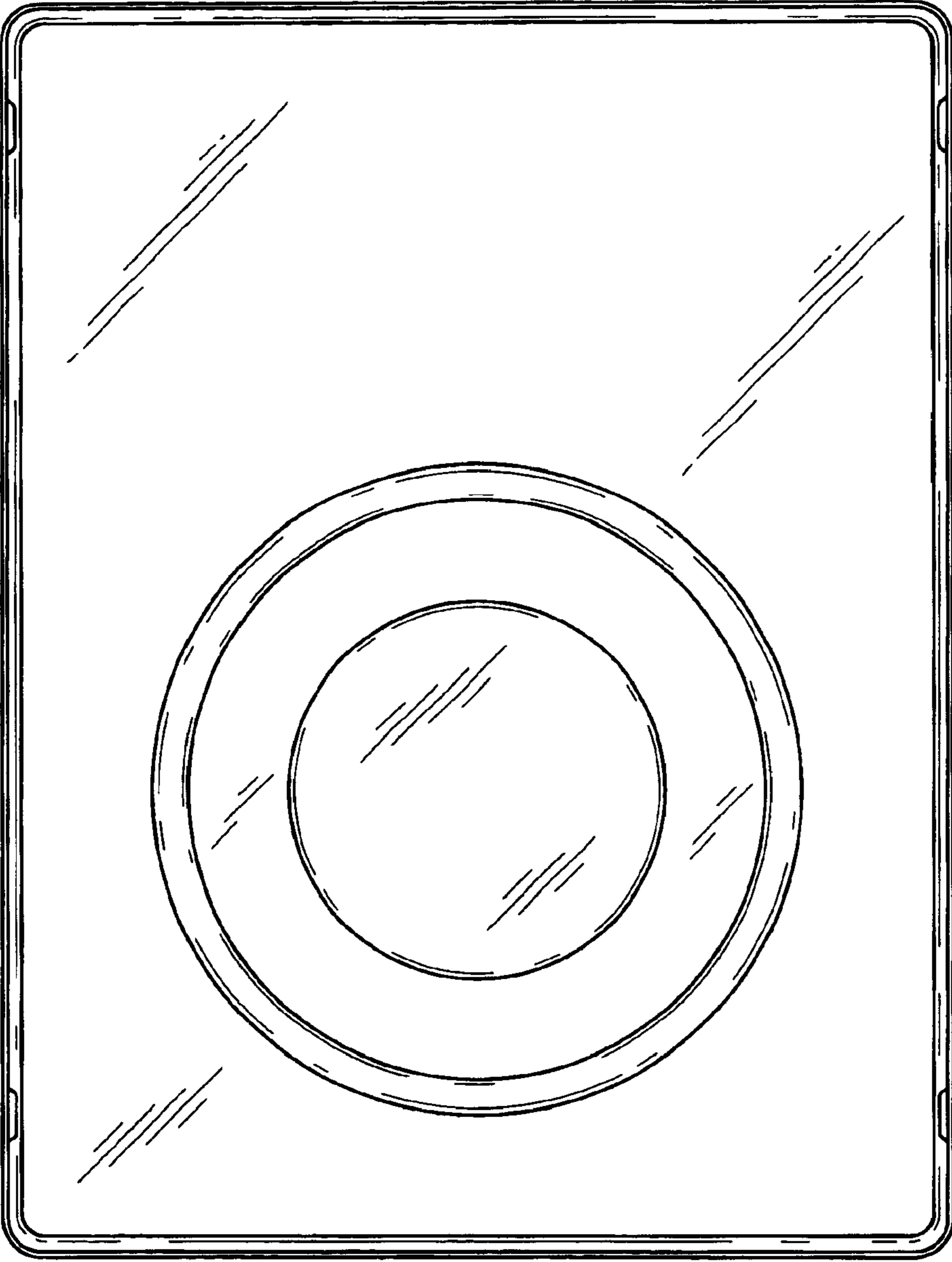


FIG. 4



FIG. 5

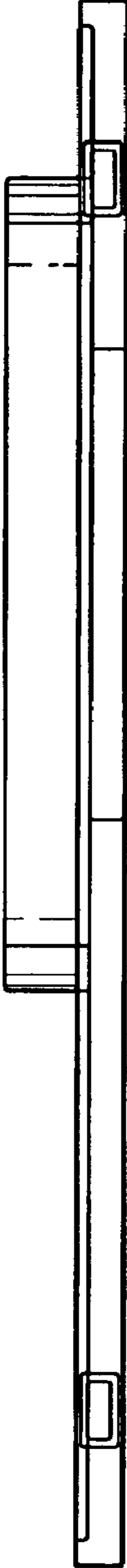


FIG. 6