

US00D548411S

(12) **United States Design Patent**
Schröter

(10) **Patent No.:** **US D548,411 S**

(45) **Date of Patent:** **** Aug. 7, 2007**

(54) **ROBOT VACUUM CLEANER**

(75) Inventor: **Jörg Schröter**, Gröbenzell (DE)

(73) Assignee: **BSH Bosch und Siemens Hausgeraete GmbH**, Munich (DE)

(**) Term: **14 Years**

(21) Appl. No.: **29/254,808**

(22) Filed: **Feb. 27, 2006**

(30) **Foreign Application Priority Data**

Aug. 29, 2005 (EM) 000400270

(51) **LOC (8) Cl.** **15-05**

(52) **U.S. Cl.** **D32/21**

(58) **Field of Classification Search** D32/21,
D32/23-25, 28, 31; 15/319-320, 327.1,
15/327.2, 327.6, 327.7, 358, 340.1; 901/1,
901/47; 700/245, 259; 318/568.12; 180/168,
180/169, 204, 274; 701/23

See application file for complete search history.

(56) **References Cited**

U.S. PATENT DOCUMENTS

6,142,252	A *	11/2000	Kinto et al.	180/204
6,493,613	B2 *	12/2002	Peless et al.	701/23
D503,251	S *	3/2005	Christianson	D32/21
6,883,201	B2 *	4/2005	Jones et al.	15/319
7,031,805	B2 *	4/2006	Lee et al.	700/245
D524,495	S *	7/2006	Ljunggren	D32/21
D526,753	S *	8/2006	Tani et al.	D32/21
D527,854	S *	9/2006	Marzynski	D32/21

2004/0244138	A1 *	12/2004	Taylor et al.	15/319
2005/0015914	A1 *	1/2005	You et al.	15/319
2006/0085105	A1 *	4/2006	Chiu et al.	701/23
2006/0196003	A1 *	9/2006	Song et al.	15/319
2006/0236492	A1 *	10/2006	Sudo	15/319

OTHER PUBLICATIONS

Roomba Discovery Robotic Floor Vac [online], [retrieved on Feb. 27, 2007]. Retrieved from the Internet <<http://web.archive.org/web/20050203182208/www.sharperimage.com/us/en/catalog/productview/sku=IR111/hppps=10>>.*

* cited by examiner

Primary Examiner—Ruth McInroy

(74) *Attorney, Agent, or Firm*—Russell W. Warnock; Craig J. Loest

(57) **CLAIM**

The ornamental design for a robot vacuum cleaner, as shown and described.

DESCRIPTION

FIG. 1 is a perspective view of a robot vacuum cleaner showing my new design;

FIG. 2 is a left side view thereof;

FIG. 3 is a right side view thereof;

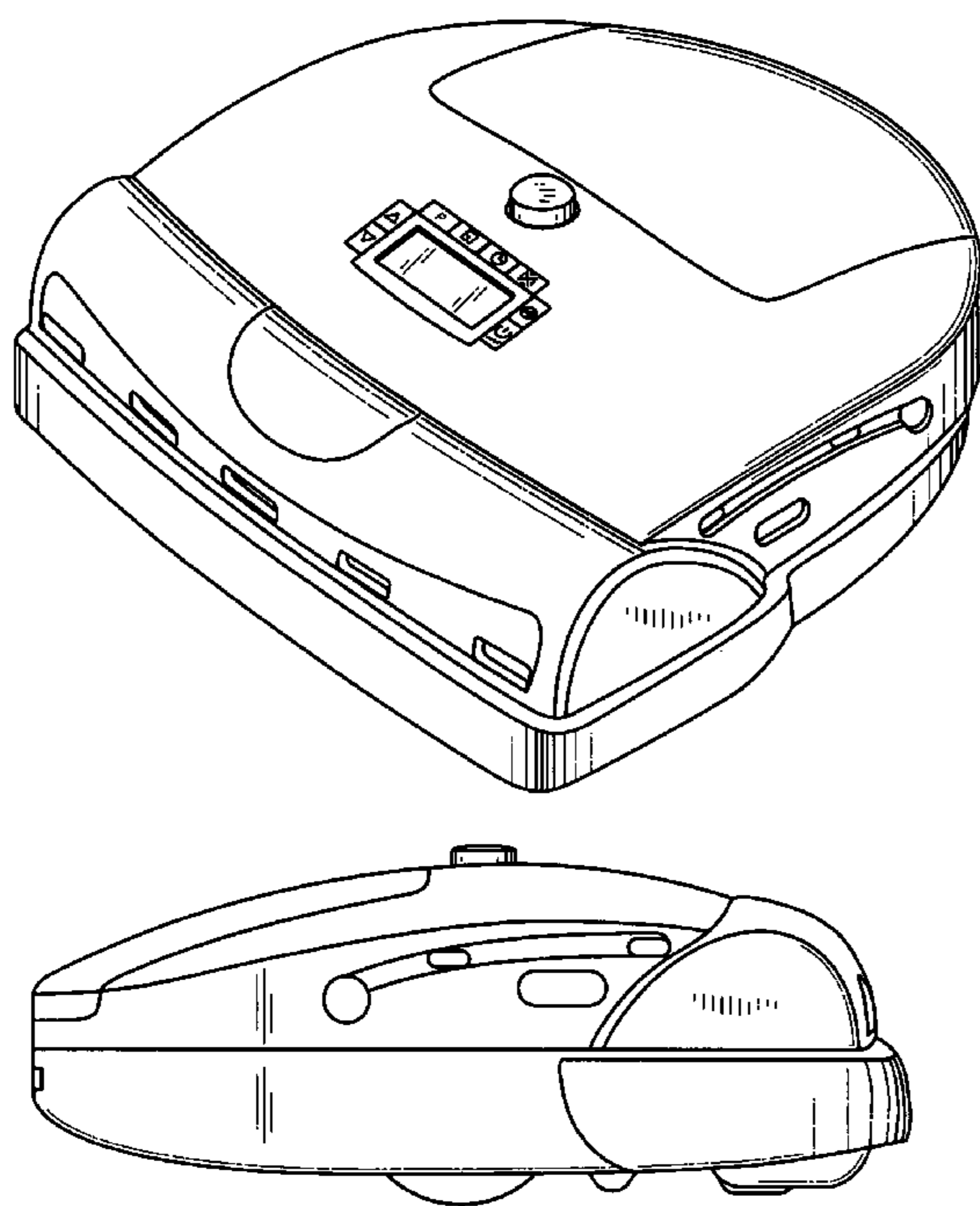
FIG. 4 is a front view thereof;

FIG. 5 is a rear view thereof;

FIG. 6 is a top view thereof; and,

FIG. 7 is a bottom view thereof.

1 Claim, 5 Drawing Sheets



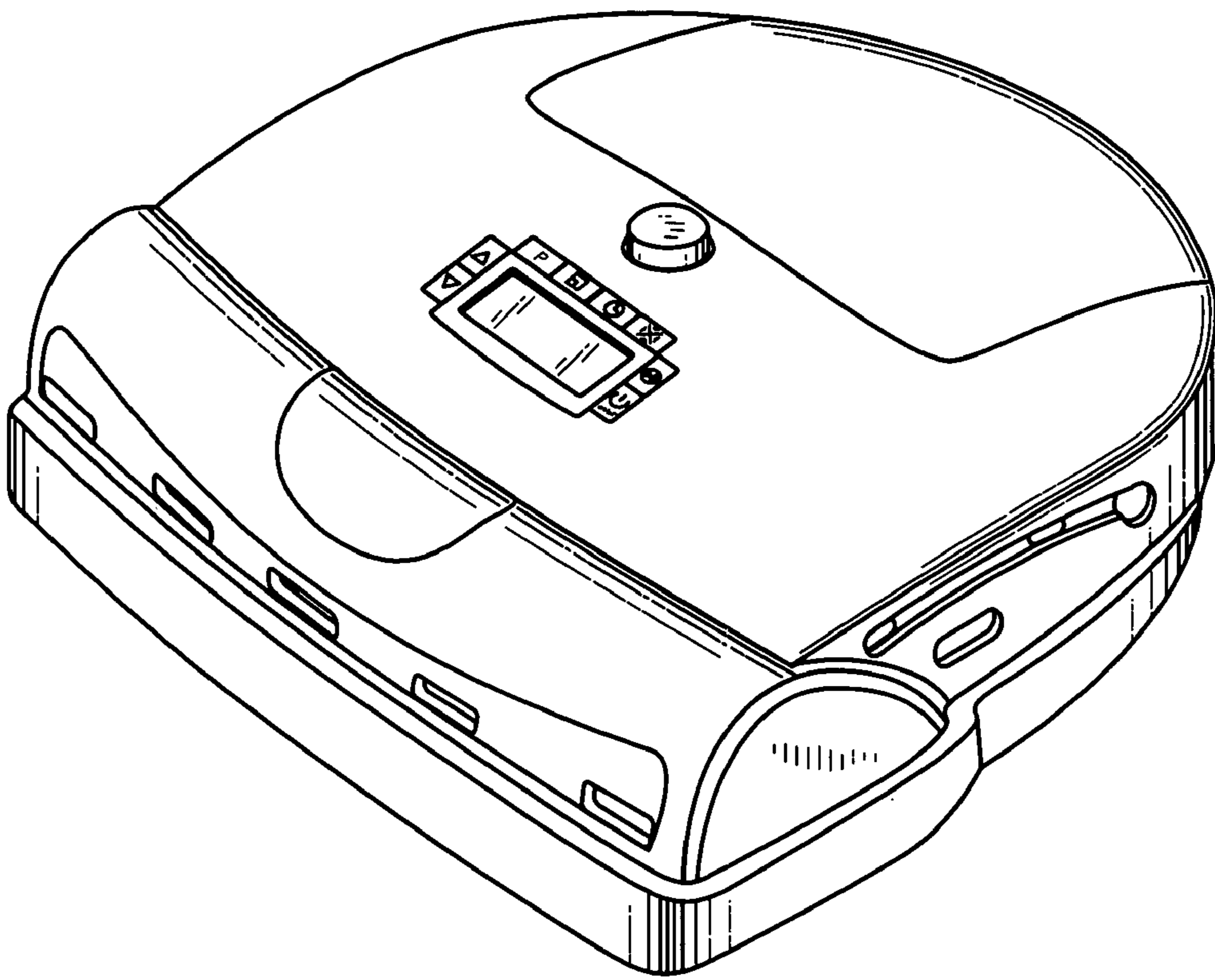


FIG. 1

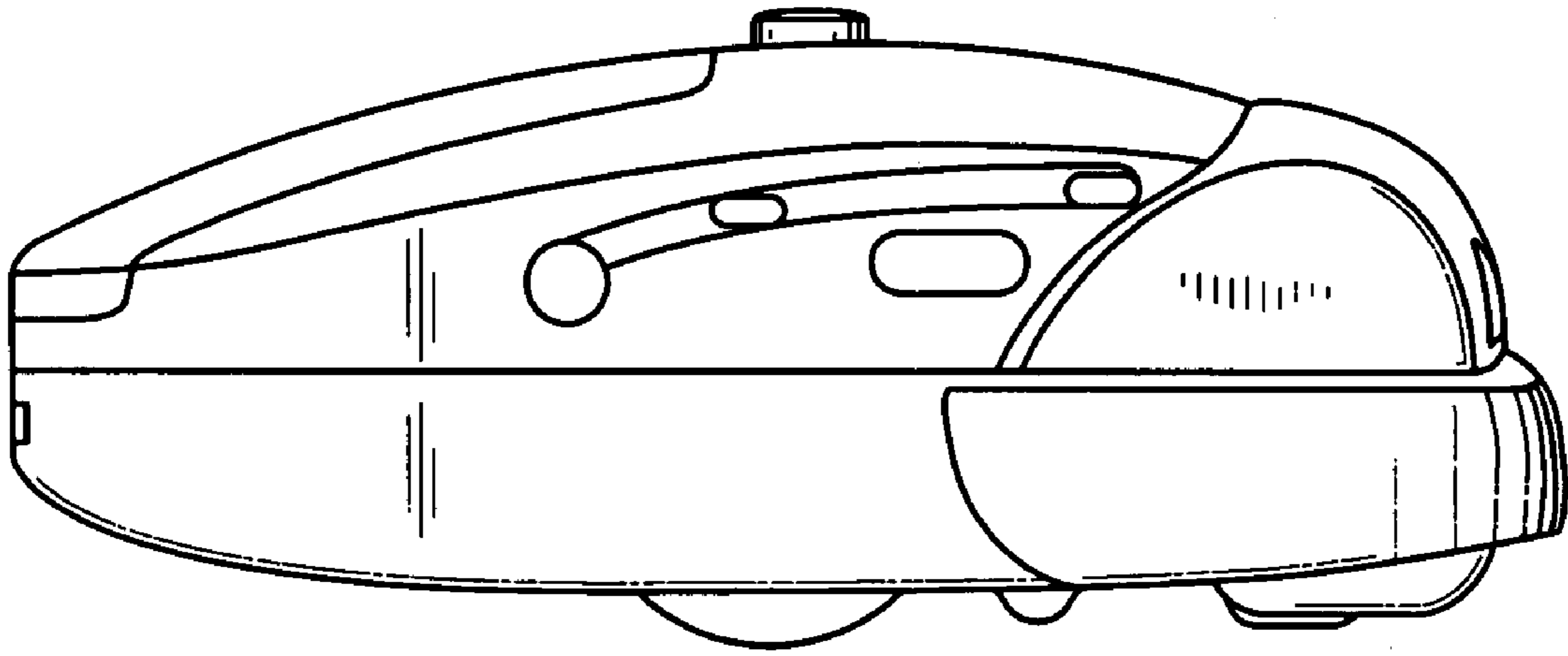


FIG. 2

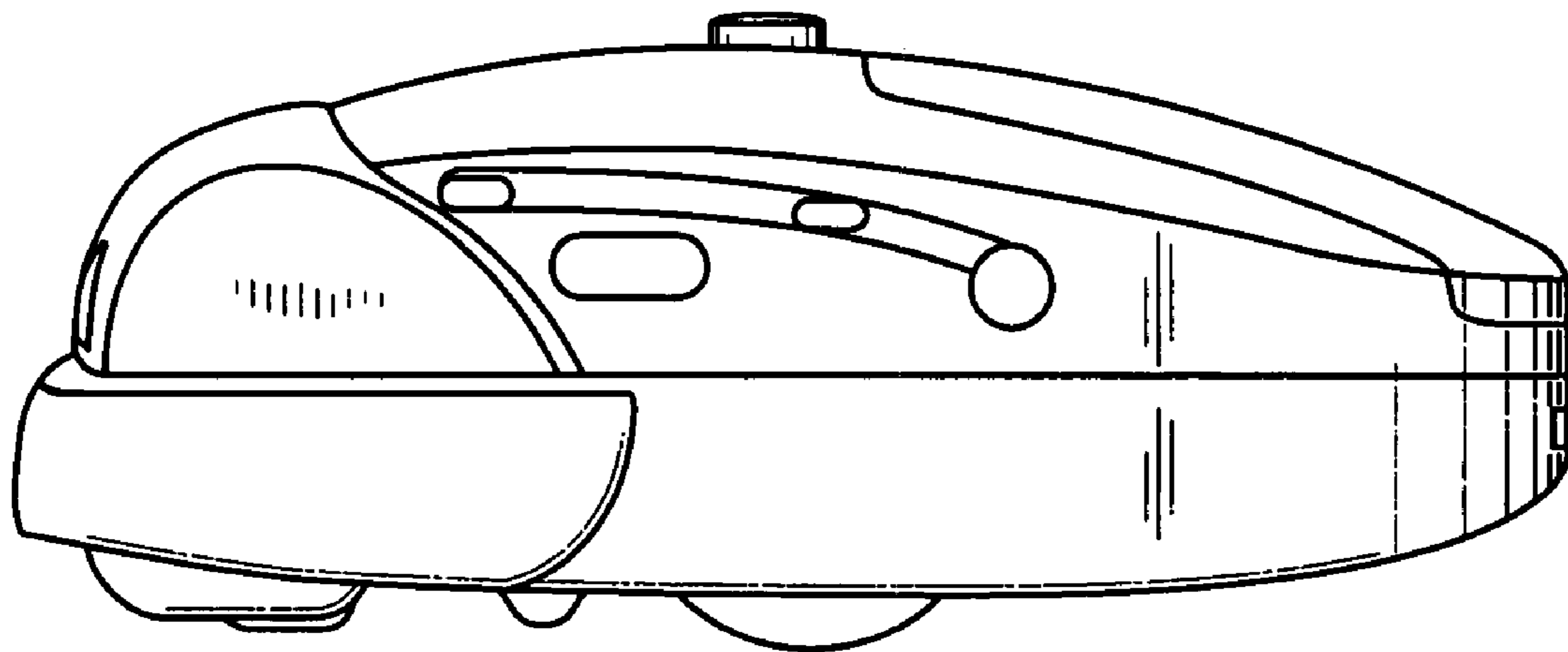


FIG. 3

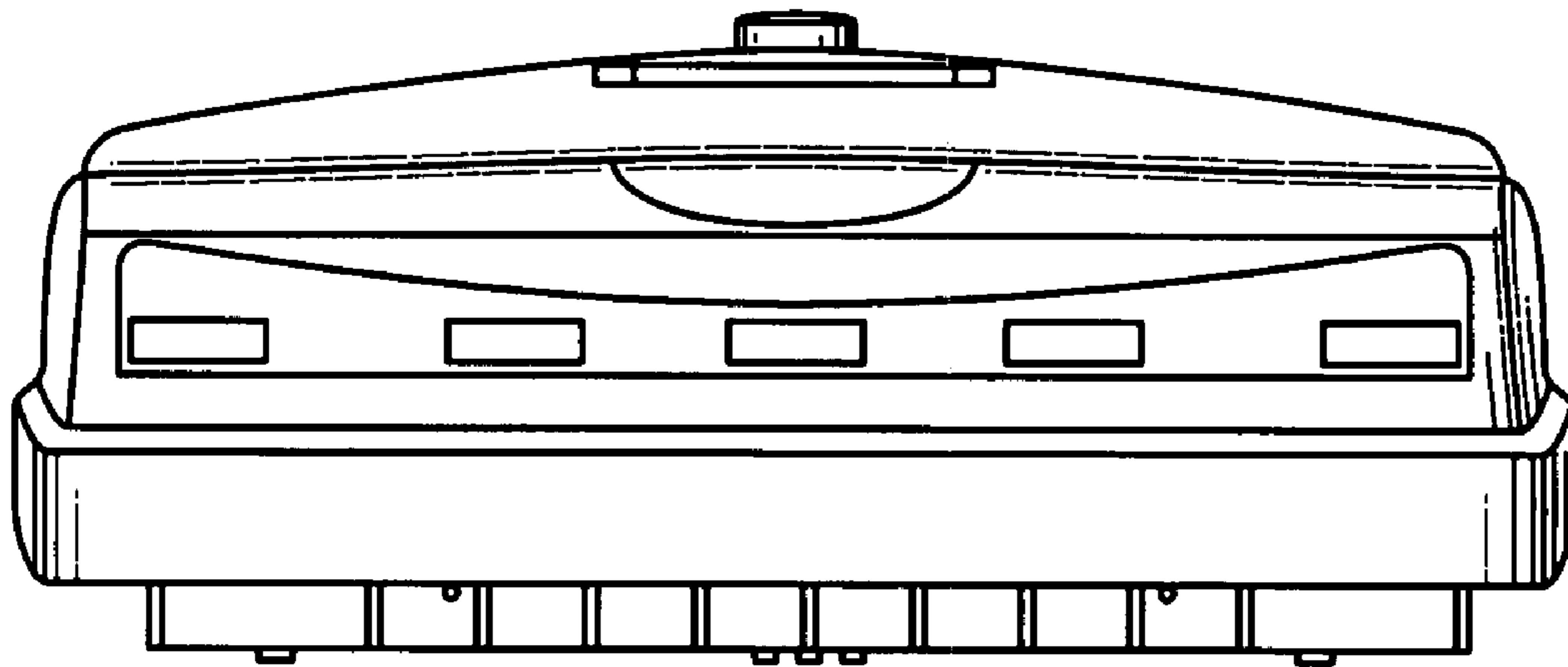


FIG. 4

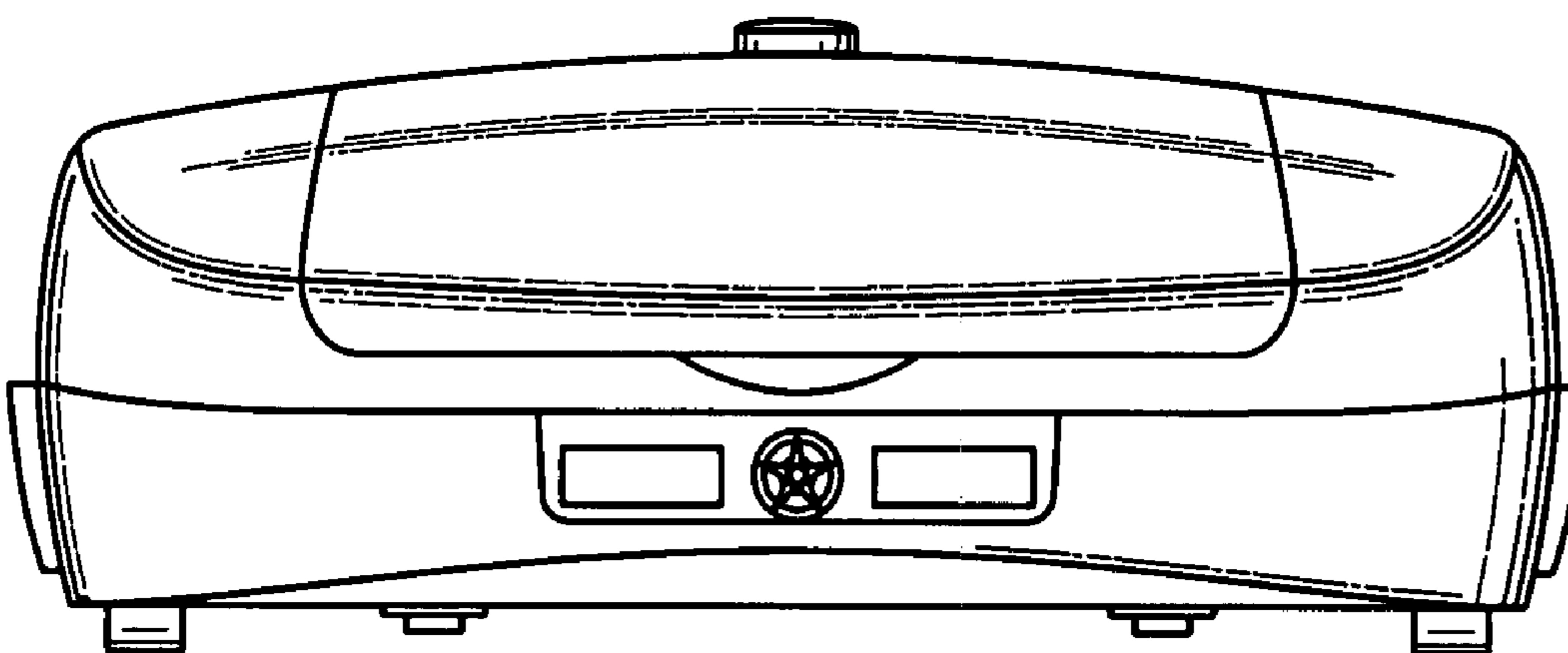


FIG. 5

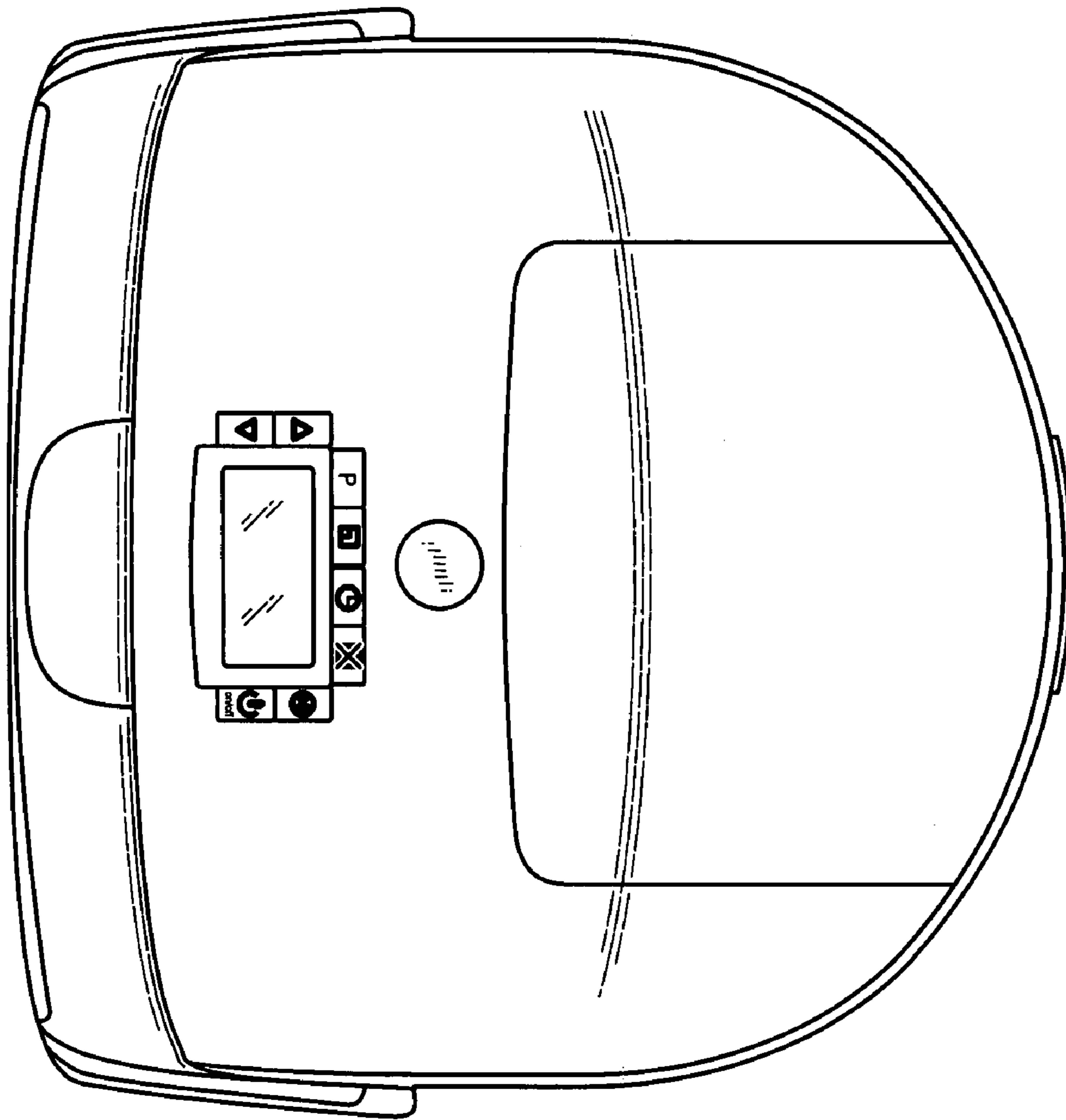


FIG. 6

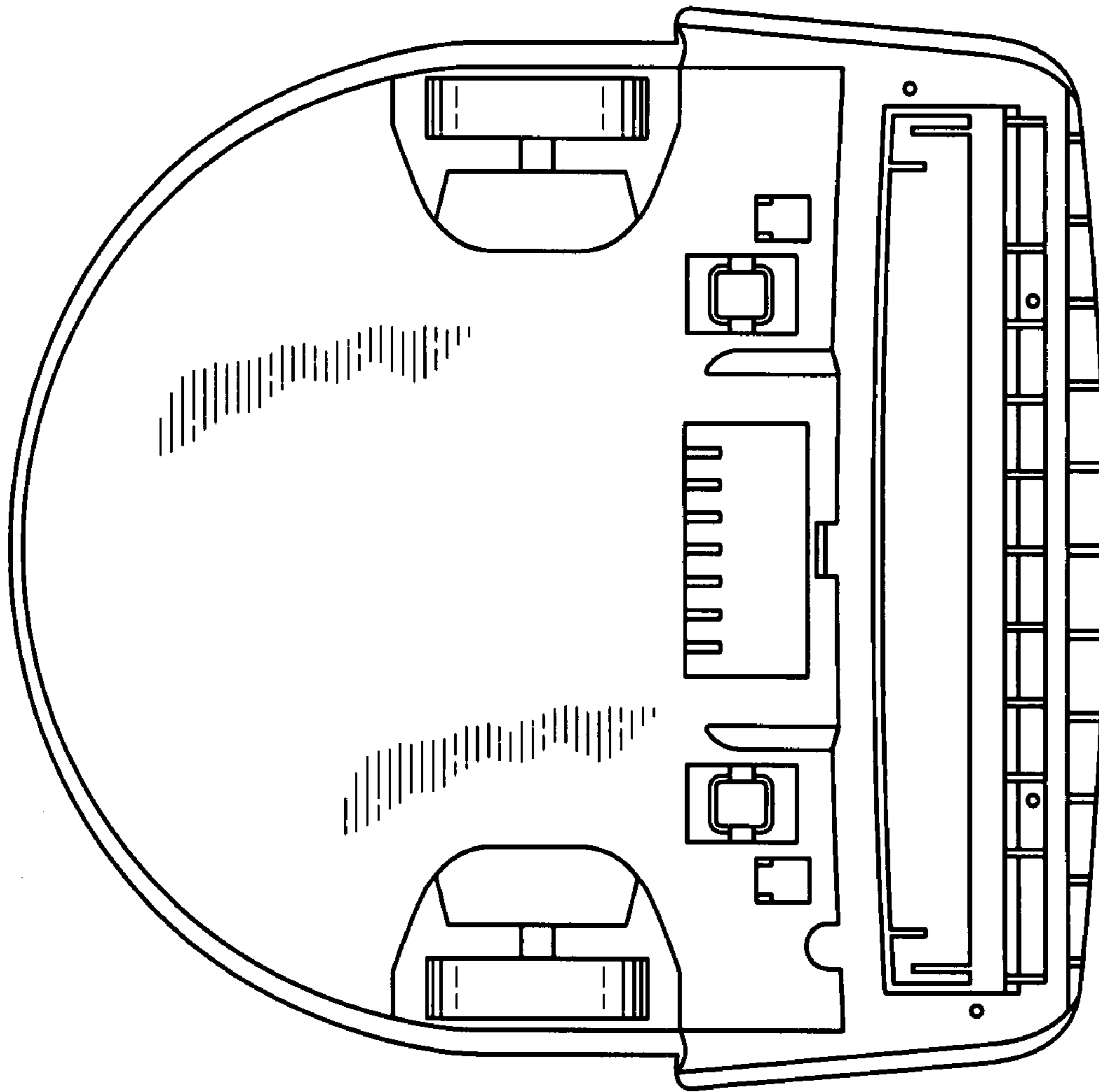


FIG. 7