



US00D548409S

(12) **United States Design Patent**
Renforth et al.

(10) **Patent No.:** **US D548,409 S**

(45) **Date of Patent:** **** Aug. 7, 2007**

(54) **DISC-SHAPED PET TOY**

(75) Inventors: **Jack W. Renforth**, Aurora, CO (US);
Charles Costello, Louisville, CO (US)

(73) Assignee: **Aspen Pet Products, Inc.**, Denver, CO (US)

(**) Term: **14 Years**

(21) Appl. No.: **29/235,082**

(22) Filed: **Jul. 26, 2005**

(51) **LOC (8) Cl.** **30-99**

(52) **U.S. Cl.** **D30/160**

(58) **Field of Classification Search** D30/160,
D30/119; 119/64.54, 702-703, 706-711;
D28/39-43; 132/273, 275, 276, 278; D11/210-219;
D1/115; D6/601

See application file for complete search history.

(56) **References Cited**

U.S. PATENT DOCUMENTS

4,568,297	A *	2/1986	Dunipace	446/46
4,906,007	A *	3/1990	Mitchell et al.	473/589
4,919,083	A *	4/1990	Axelrod	119/710
5,277,641	A *	1/1994	Gable et al.	446/46
5,553,570	A *	9/1996	VanNatter et al.	119/709
6,412,442	B1 *	7/2002	Bean	119/702
D469,239	S *	1/2003	Hodgdon	D1/130
D475,504	S *	6/2003	Hodgdon	D1/130
6,672,253	B1 *	1/2004	Viola	119/709
6,725,809	B1 *	4/2004	Olgin	119/710
D495,465	S *	9/2004	Tepper et al.	D30/160
6,840,836	B1 *	1/2005	Siverson	446/46
D511,228	S *	11/2005	Byrne	D30/160

D512,541	S *	12/2005	Byrne	D30/160
D529,668	S *	10/2006	Wang	D30/160
D533,600	S *	12/2006	Kennedy	D21/387
2004/0089245	A1 *	5/2004	Markham	119/709
2005/0061258	A1 *	3/2005	Block	119/707
2005/0092258	A1 *	5/2005	Markham	119/707

* cited by examiner

Primary Examiner—Cathy Anne MacCormac

(74) *Attorney, Agent, or Firm*—Dorsey & Whitney LLP

(57) **CLAIM**

The ornamental design for a disc-shaped pet toy, as shown and described.

DESCRIPTION

FIG. 1 is a perspective view depicting the top, front, and right side of a disc-shaped pet toy;

FIG. 2 is a top plan view of the disc-shaped pet toy of FIG. 1;

FIG. 3 is a bottom plan view of the disc-shaped pet toy of FIG. 1;

FIG. 4 is a left side view of the disc-shaped pet toy of FIG. 1;

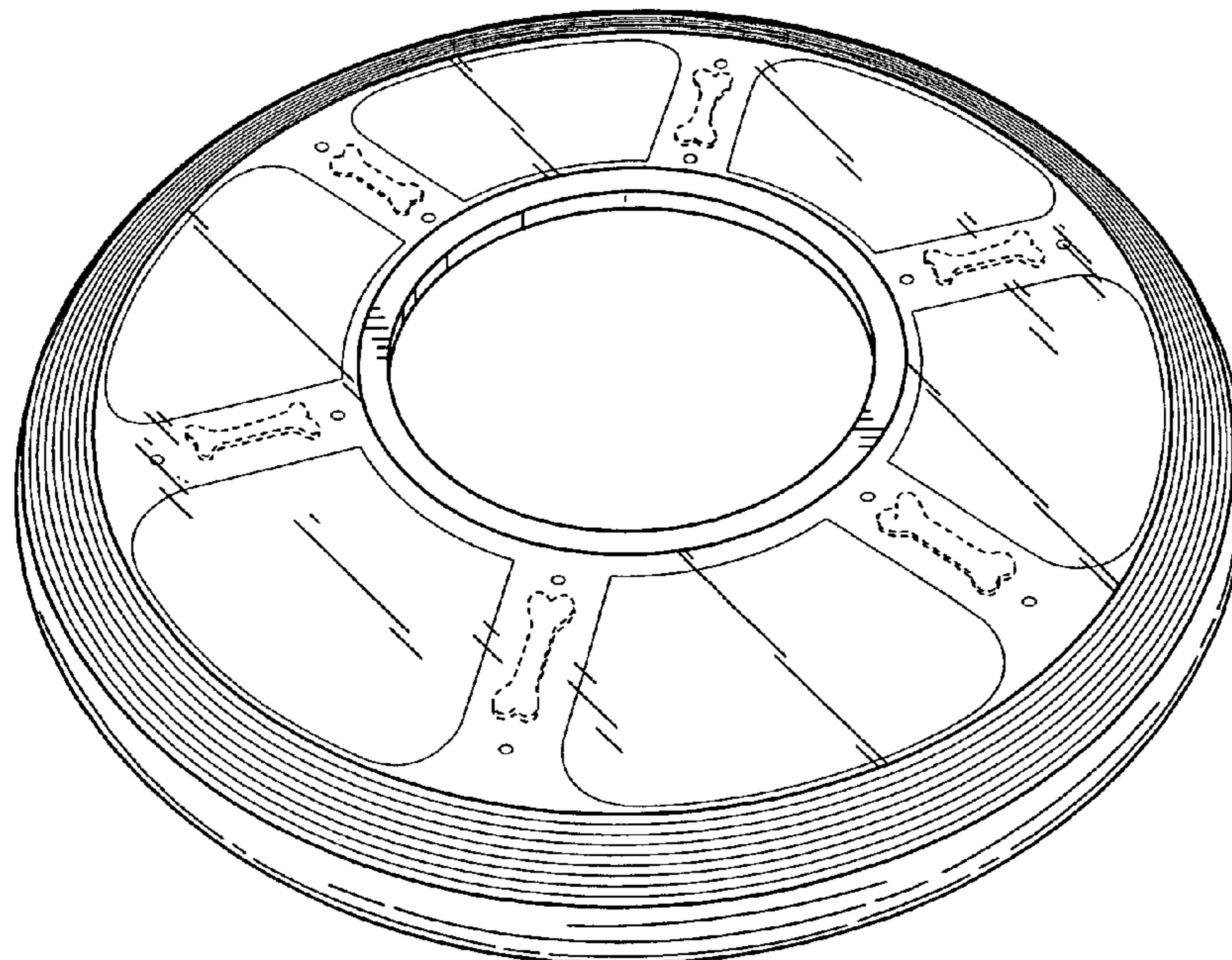
FIG. 5 is a right side view of the disc-shaped pet toy of FIG. 1;

FIG. 6 is a front view of the disc-shaped pet toy of FIG. 1; and,

FIG. 7 is a rear view of the disc-shaped pet toy of FIG. 1.

The broken lines are for illustration only and form no part of the claimed design.

1 Claim, 4 Drawing Sheets



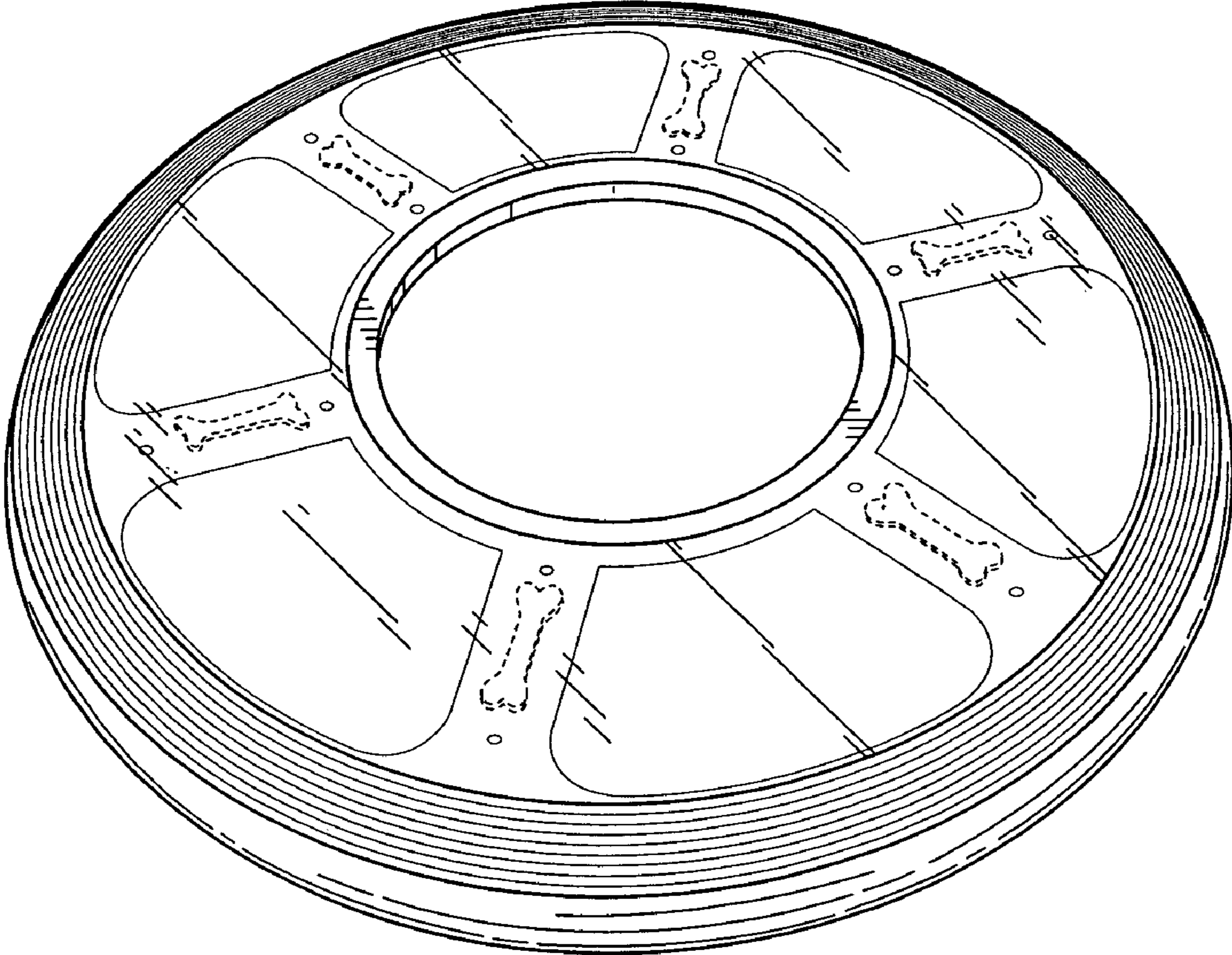


FIG.1

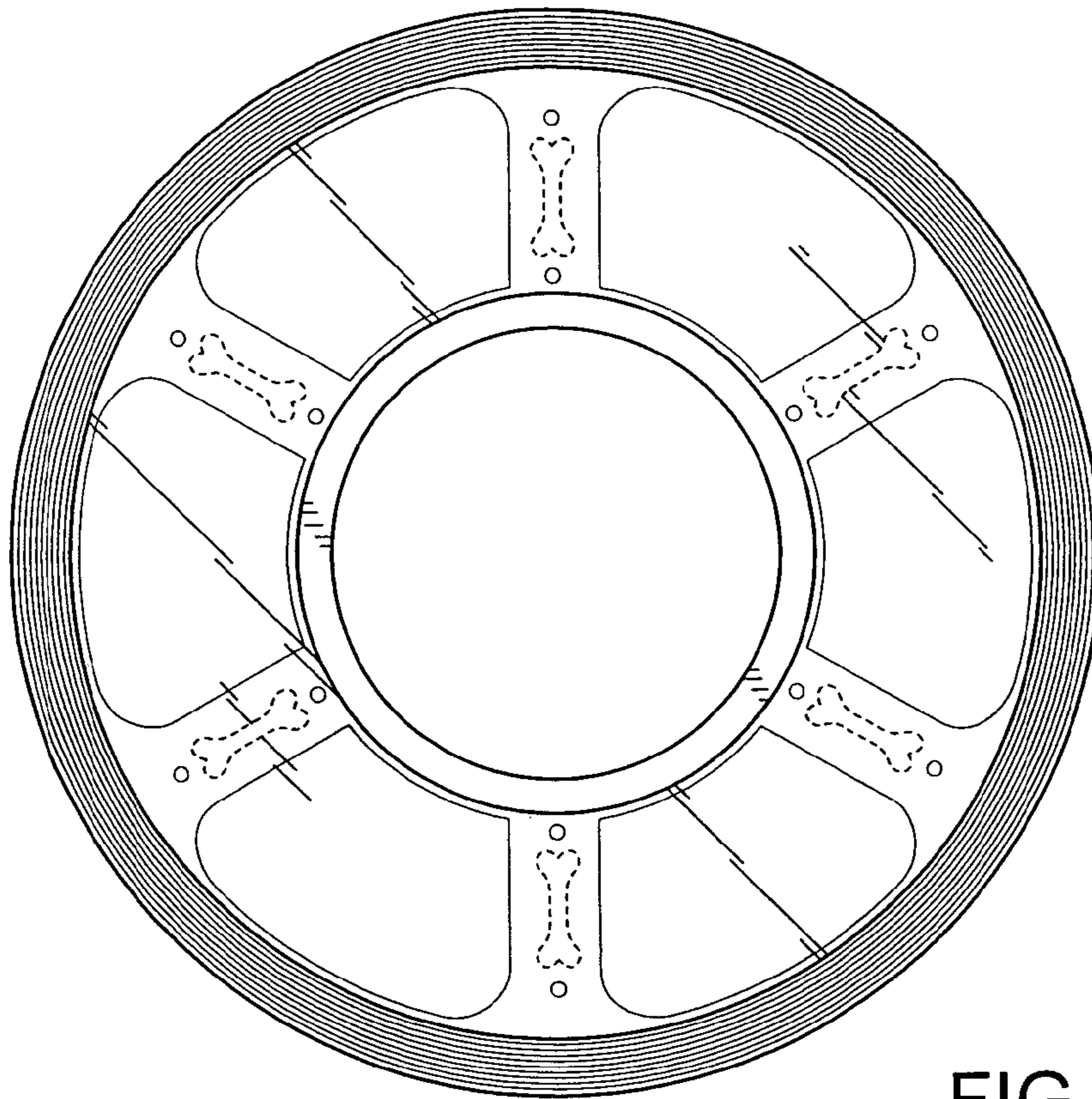


FIG. 2

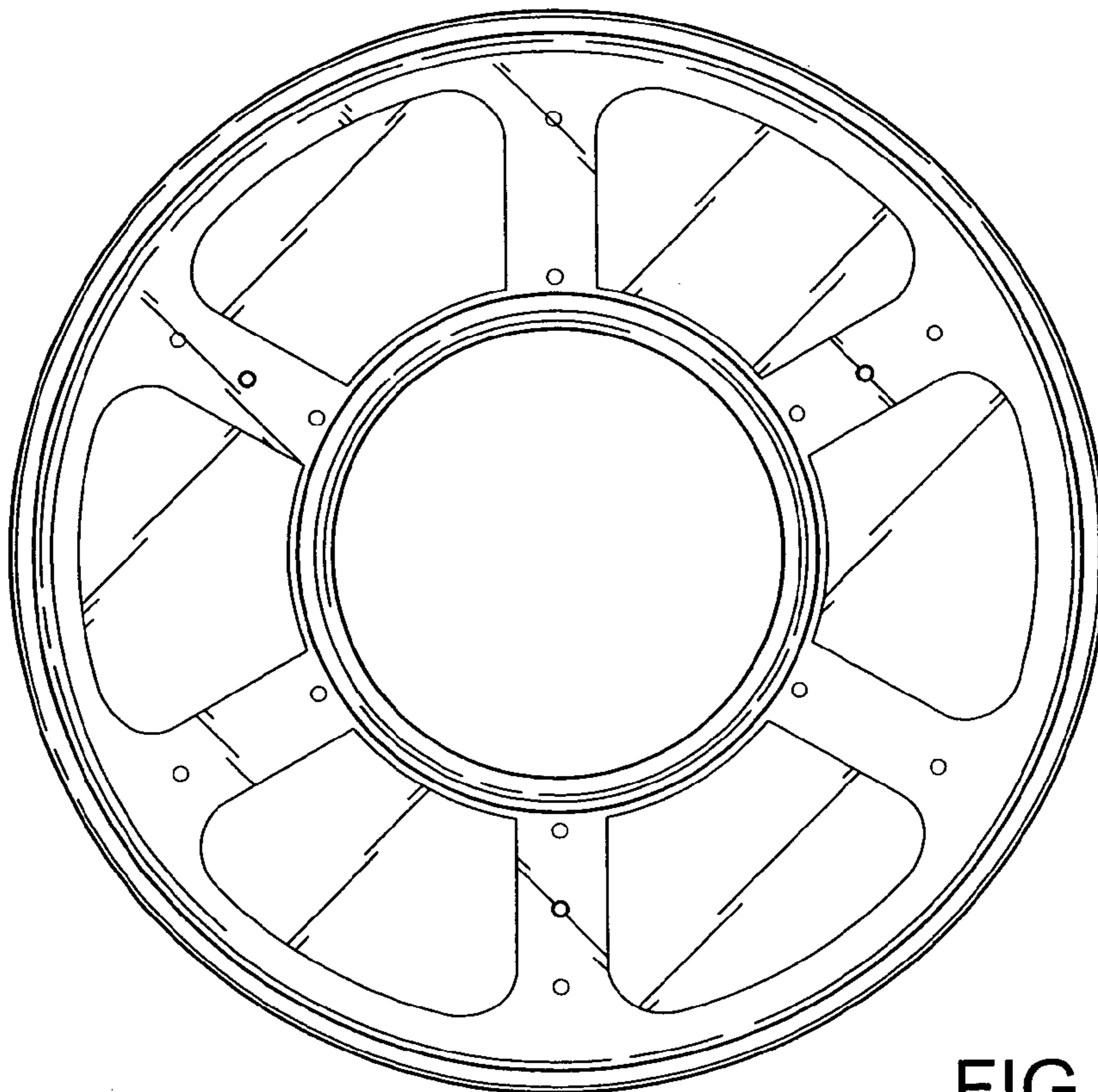


FIG. 3

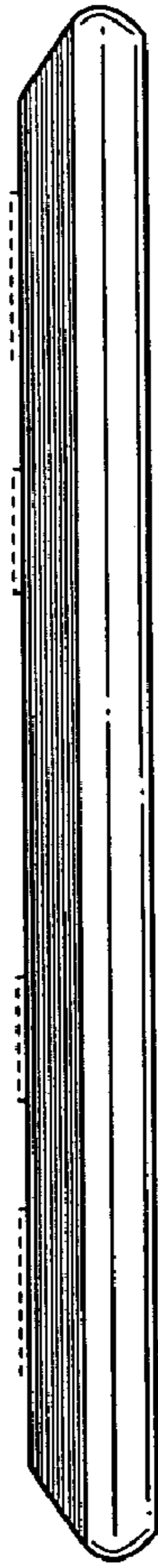


FIG.4

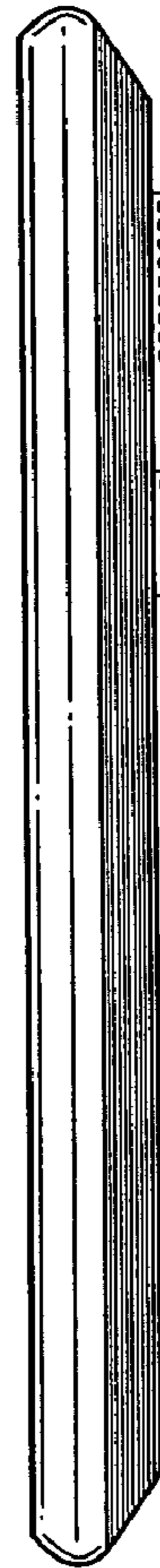


FIG.5

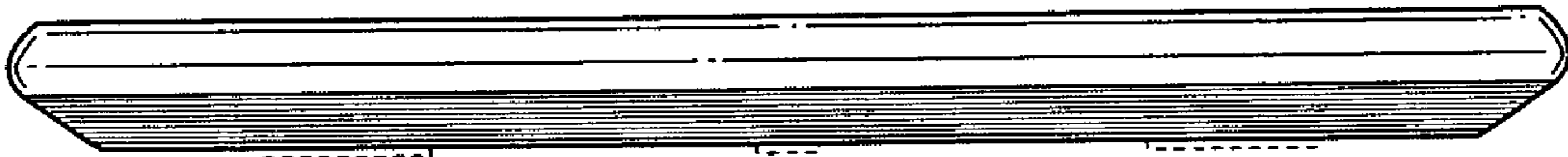


FIG. 6

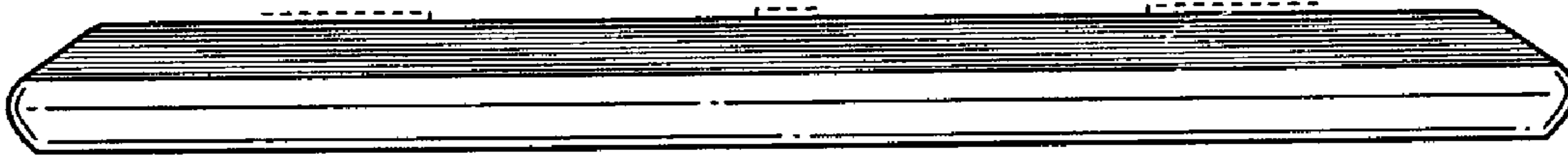


FIG. 7