

US00D548406S

(12) **United States Design Patent**
Mihlbauer

(10) **Patent No.:** **US D548,406 S**

(45) **Date of Patent:** **** Aug. 7, 2007**

(54) **AQUARIUM**

D472,020 S 3/2003 Mihlbauer

(75) Inventor: **Brad L. Mihlbauer**, Mukwonago, WI (US)

(73) Assignee: **All-Glass Aquarium Company, Inc.**, Franklin, WI (US)

(**) Term: **14 Years**

(21) Appl. No.: **29/230,196**

(22) Filed: **May 18, 2005**

(51) **LOC (8) Cl.** **30-02**

(52) **U.S. Cl.** **D30/101**

(58) **Field of Classification Search** D30/101-106;
D11/145; 119/245-246, 251, 253-256, 258-259,
119/263-265

See application file for complete search history.

(56) **References Cited**

U.S. PATENT DOCUMENTS

D76,252 S *	9/1928	McCreary	D30/101
D84,002 S *	4/1931	Smith	D30/105
2,808,024 A *	10/1957	Glidden	119/258
2,879,742 A *	3/1959	Morrill	119/258
3,874,336 A *	4/1975	Murphy	119/257
D239,180 S *	3/1976	Robert	D30/101
D294,751 S *	3/1988	Shaiu	D30/101
5,009,190 A *	4/1991	Gordon	119/265
D316,917 S *	5/1991	Oldham	D30/101
D327,233 S *	6/1992	McClellan	D30/101
5,263,772 A	11/1993	Ritzow		
5,328,049 A	7/1994	Ritzow		
D361,167 S *	8/1995	Ichikawa	D30/101
D361,169 S *	8/1995	Ichikawa	D30/101
D361,646 S *	8/1995	Hashimoto	D30/101
D377,242 S *	1/1997	Kelley	D30/101
5,832,871 A	11/1998	Leis		
D429,503 S *	8/2000	Hsieh	D30/101
D448,124 S *	9/2001	Wang	D30/101
D451,249 S *	11/2001	Fang	D30/101
6,484,669 B1	11/2002	Mihlbauer		
D471,325 S	3/2003	Mihlbauer		

OTHER PUBLICATIONS

The Surfline 90 gallon tank in new wave design by Marineland Perfecto Manufacturing, 2003, Noblesville, IN 46060.

Elite Line Custom Curved Glass Aquariums by Aqua Aquarium, 2002 brochure.

Drawing A; prior to May 18, 2004; a contoured top plan view drawing of an aquarium.

* cited by examiner

Primary Examiner—Cathy Anne MacCormac

(74) *Attorney, Agent, or Firm*—Andrus, Scales, Starke & Sawall, LLP

(57) **CLAIM**

The ornamental design for an aquarium, as shown.

DESCRIPTION

FIG. 1 is an isometric view of an aquarium incorporating my new design;

FIG. 2 is a top plan view thereof;

FIG. 3 is a front elevation view thereof;

FIG. 4 is a right side elevation view thereof;

FIG. 5 is a left side elevation view thereof;

FIG. 6 is a bottom plan view thereof;

FIG. 7 is a rear elevation view thereof;

FIG. 8 is an isometric view of an aquarium incorporating my new design and showing an alternate embodiment;

FIG. 9 is top plan view thereof;

FIG. 10 is a front elevation view thereof;

FIG. 11 is a left side elevation view thereof;

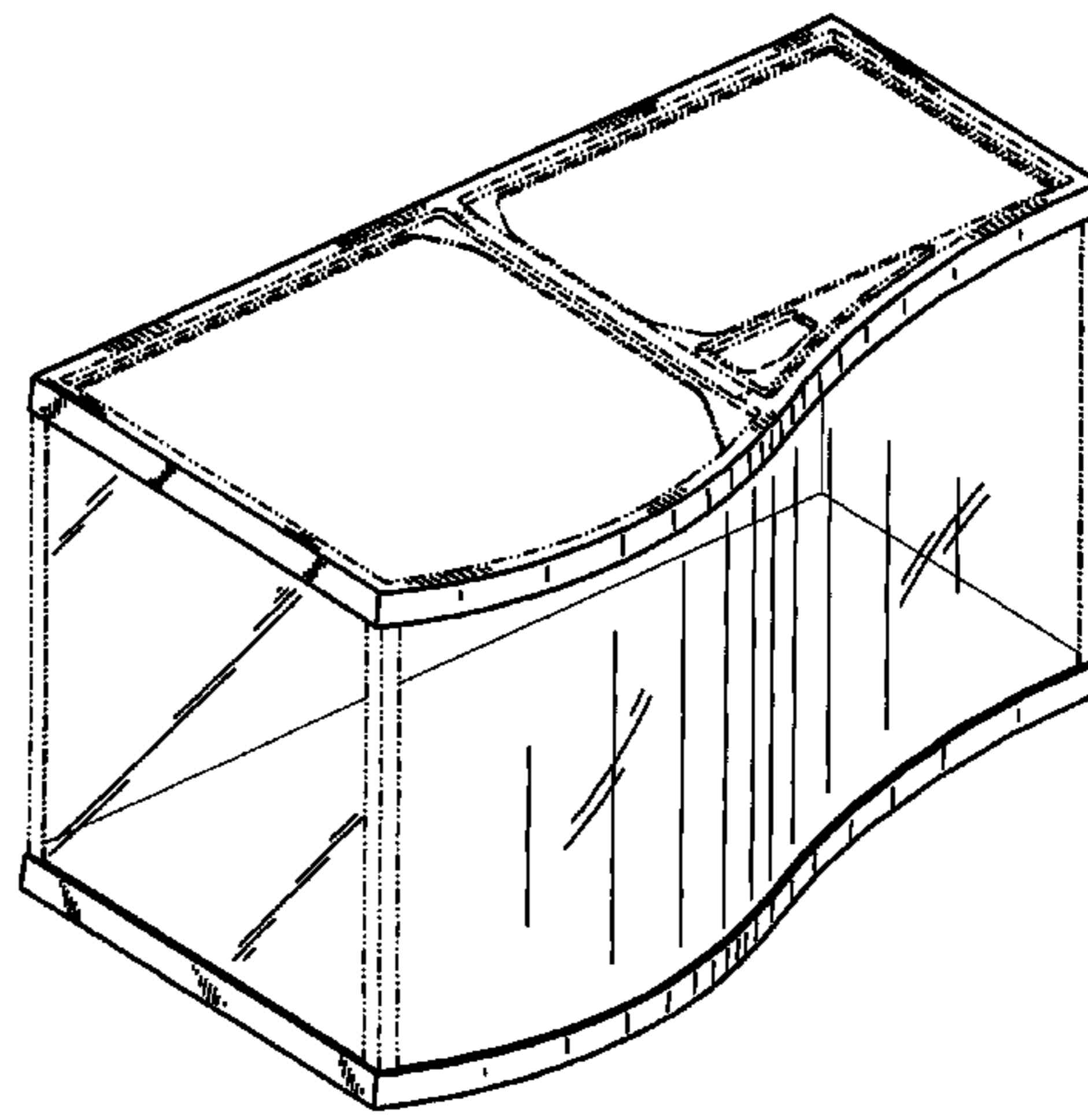
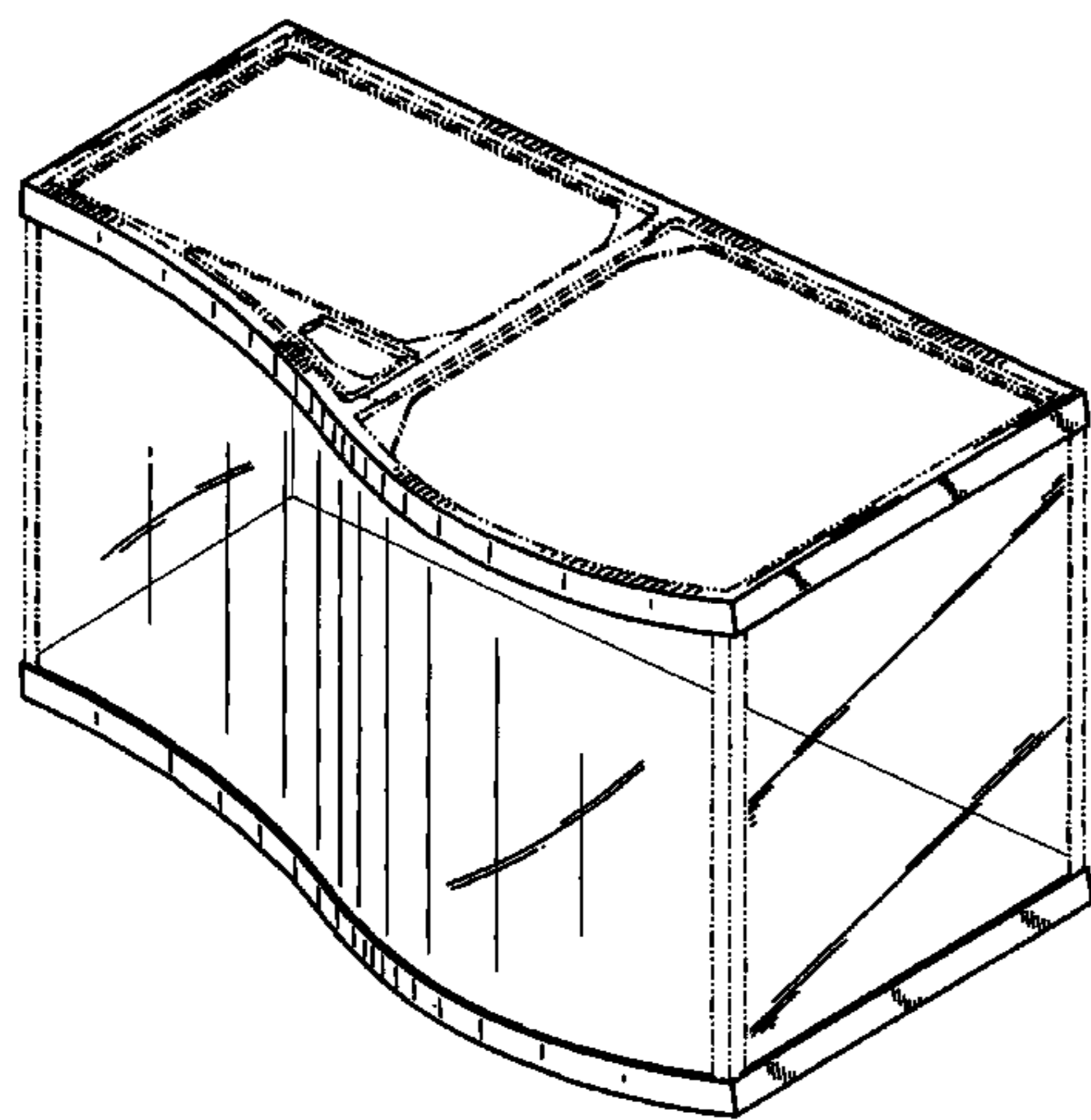
FIG. 12 is a right side elevation view thereof;

FIG. 13 is a bottom plan view thereof; and,

FIG. 14 is a rear elevation view thereof.

The broken lines are for illustration only and form no part of the claimed design.

1 Claim, 8 Drawing Sheets



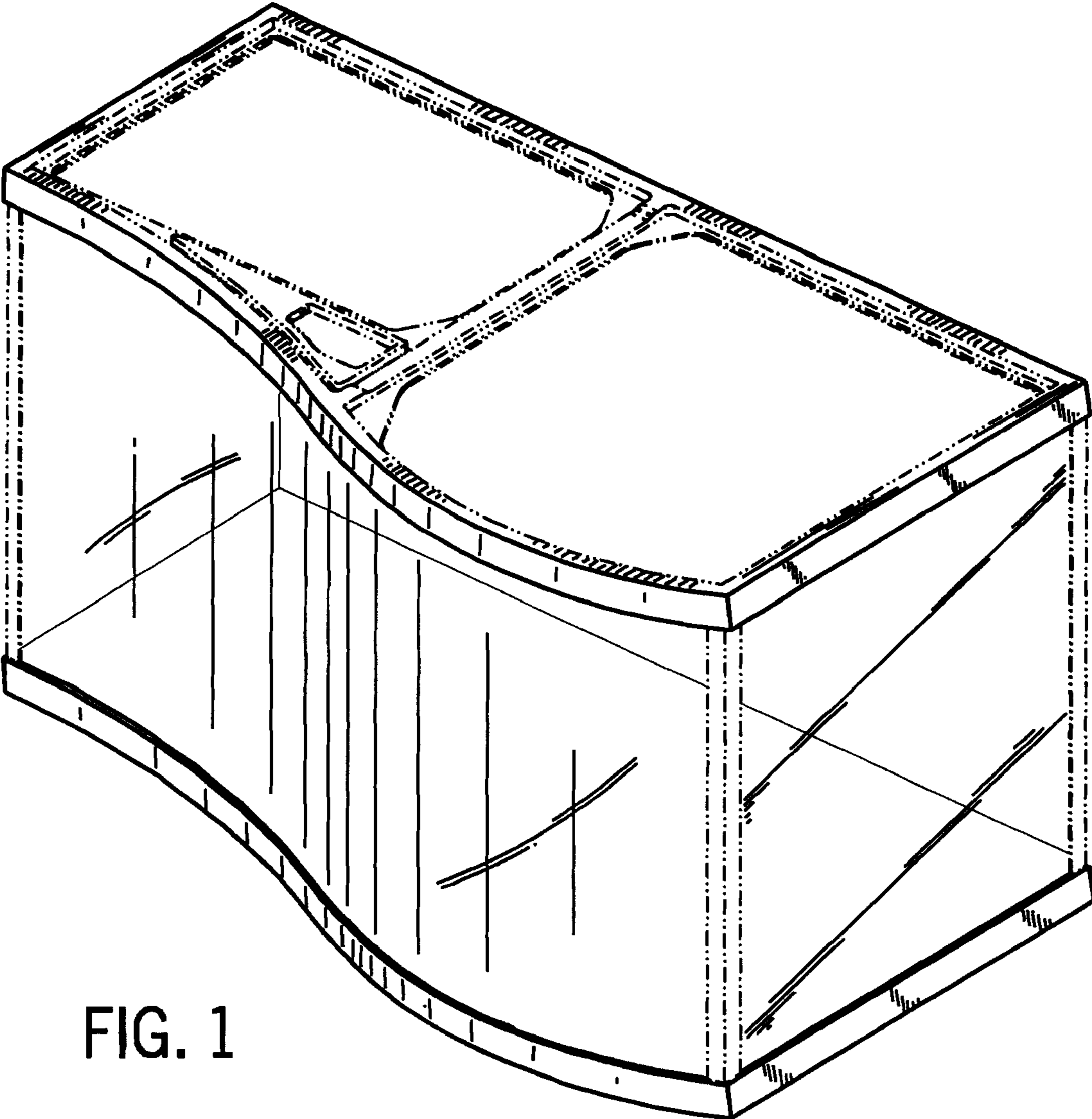


FIG. 1

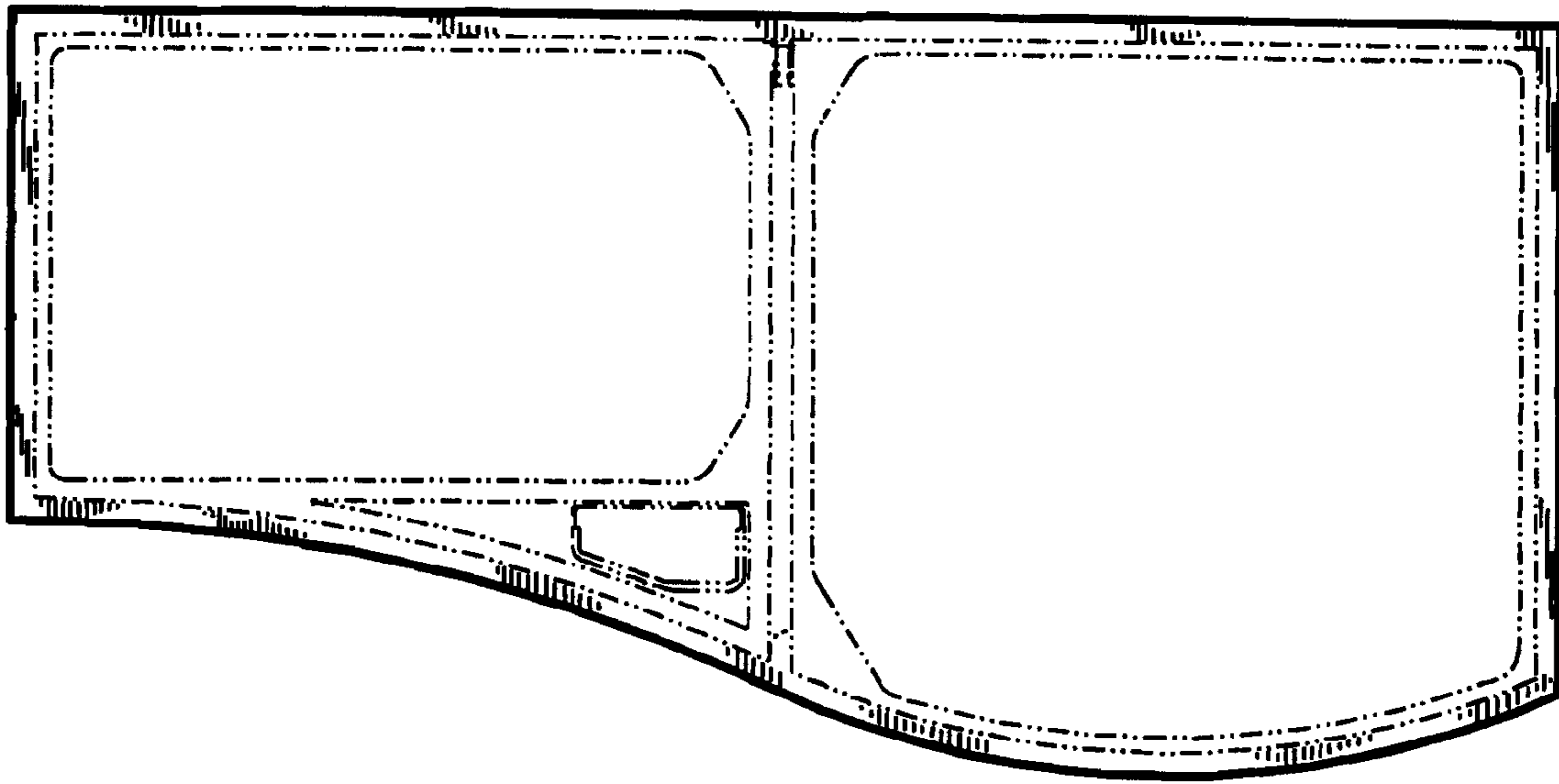


FIG. 2

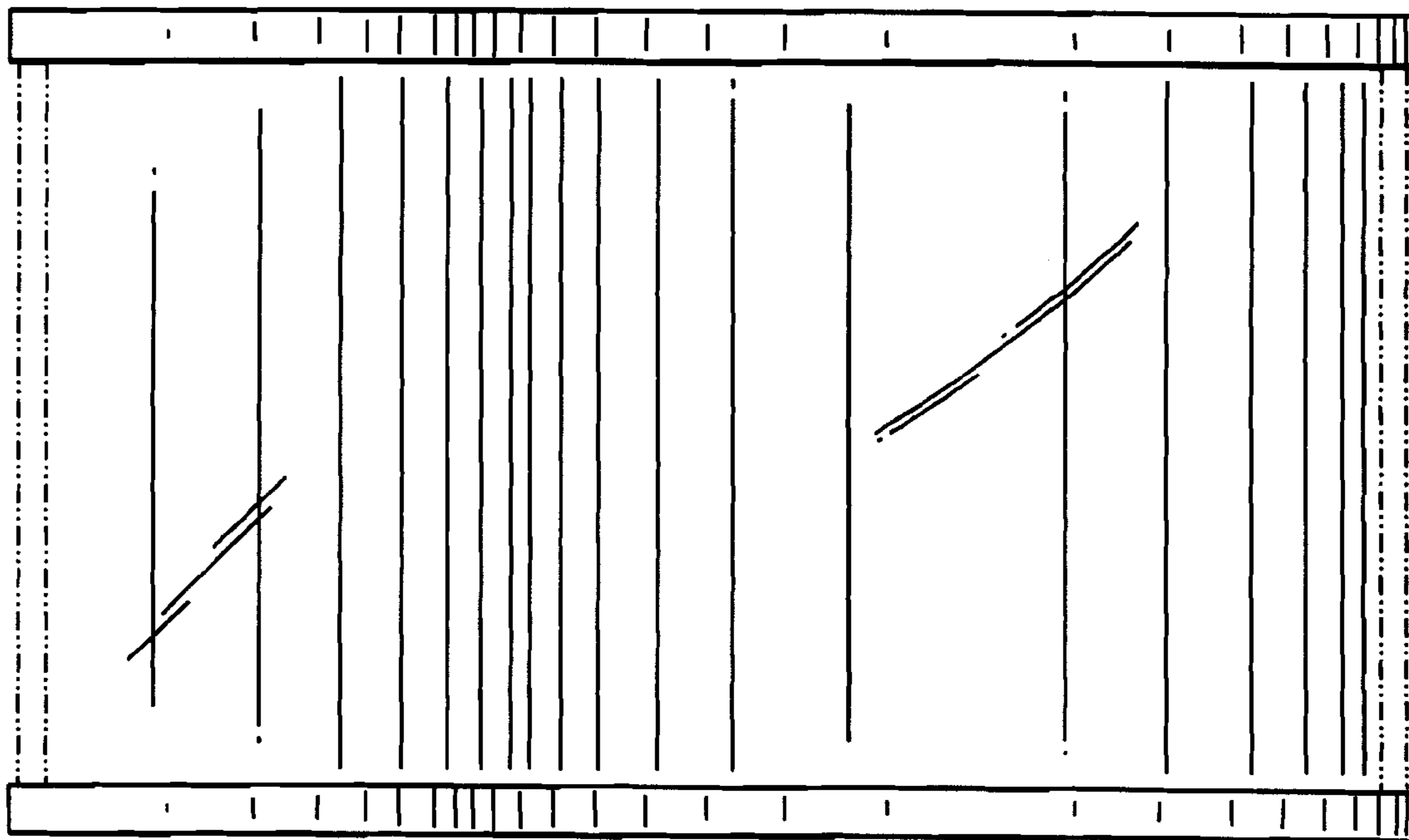


FIG. 3

FIG. 4

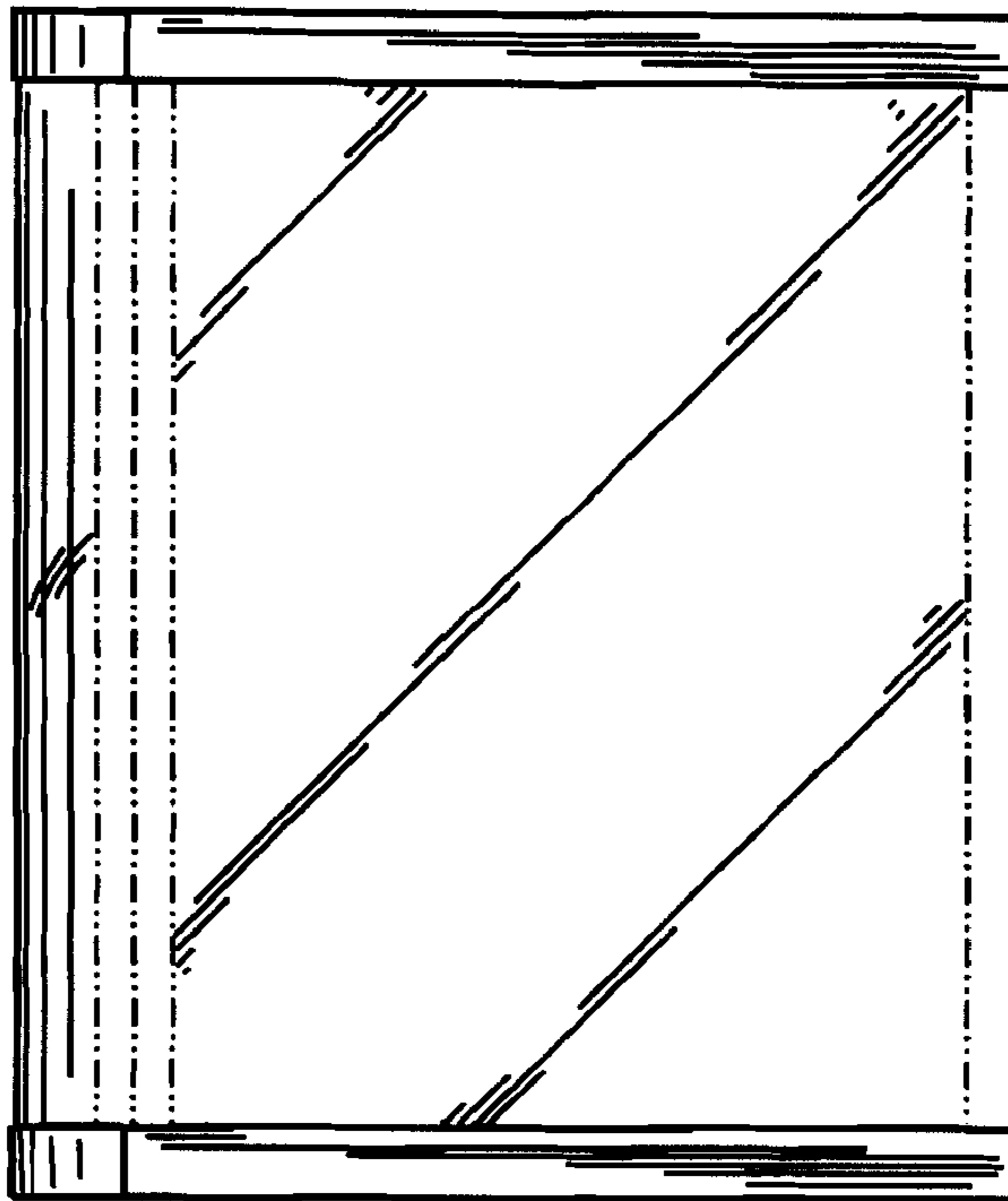
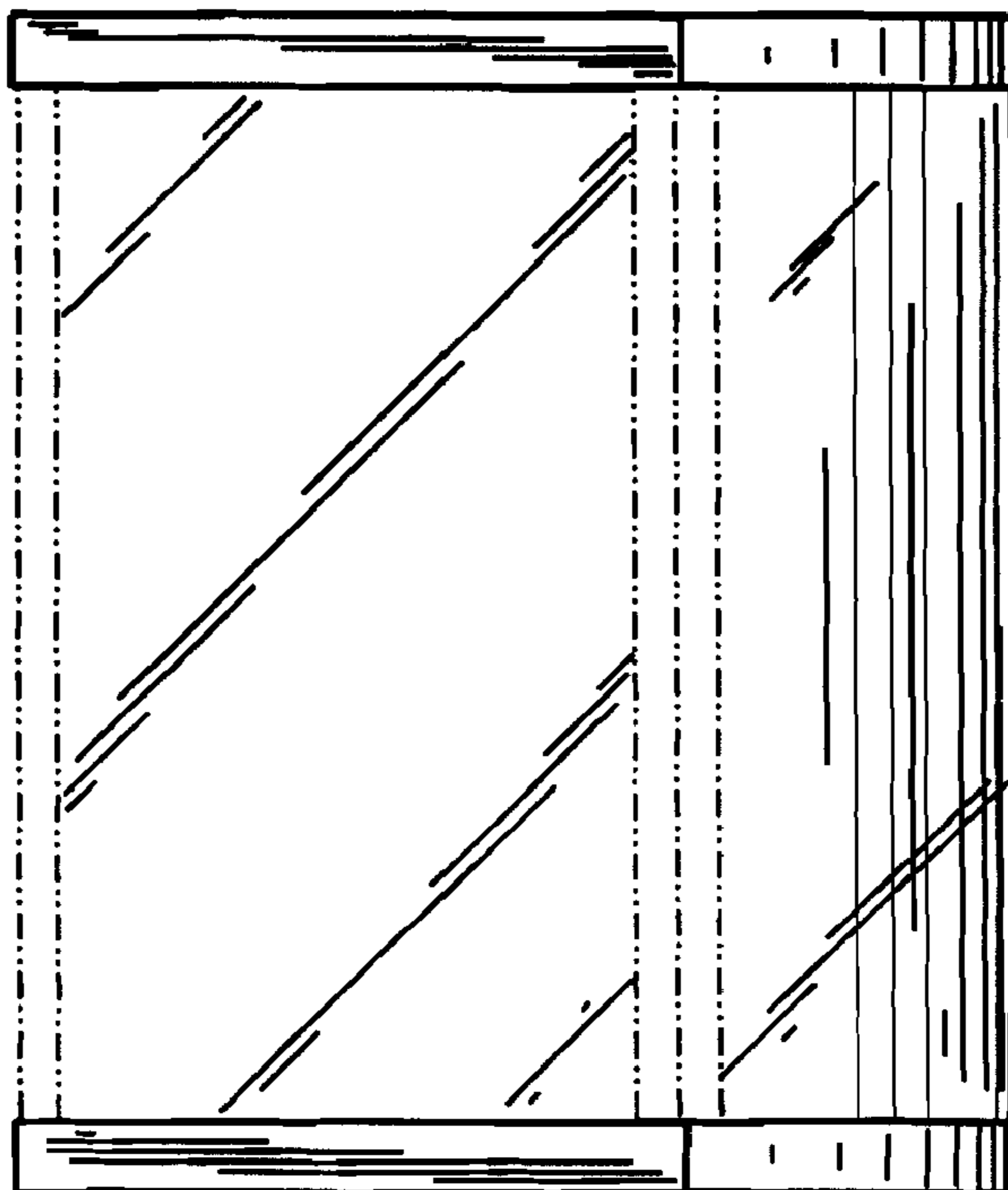


FIG. 5



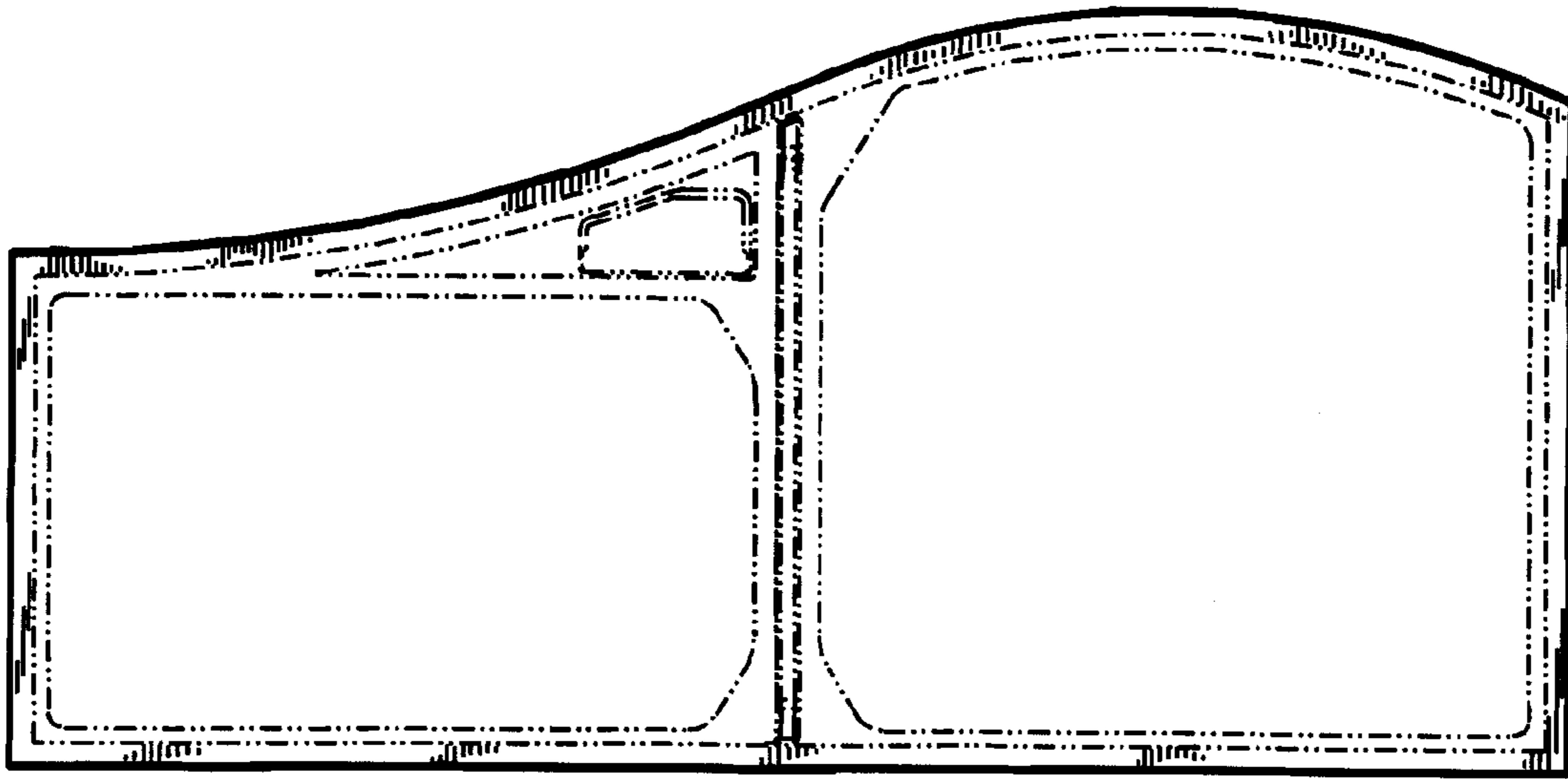


FIG. 6

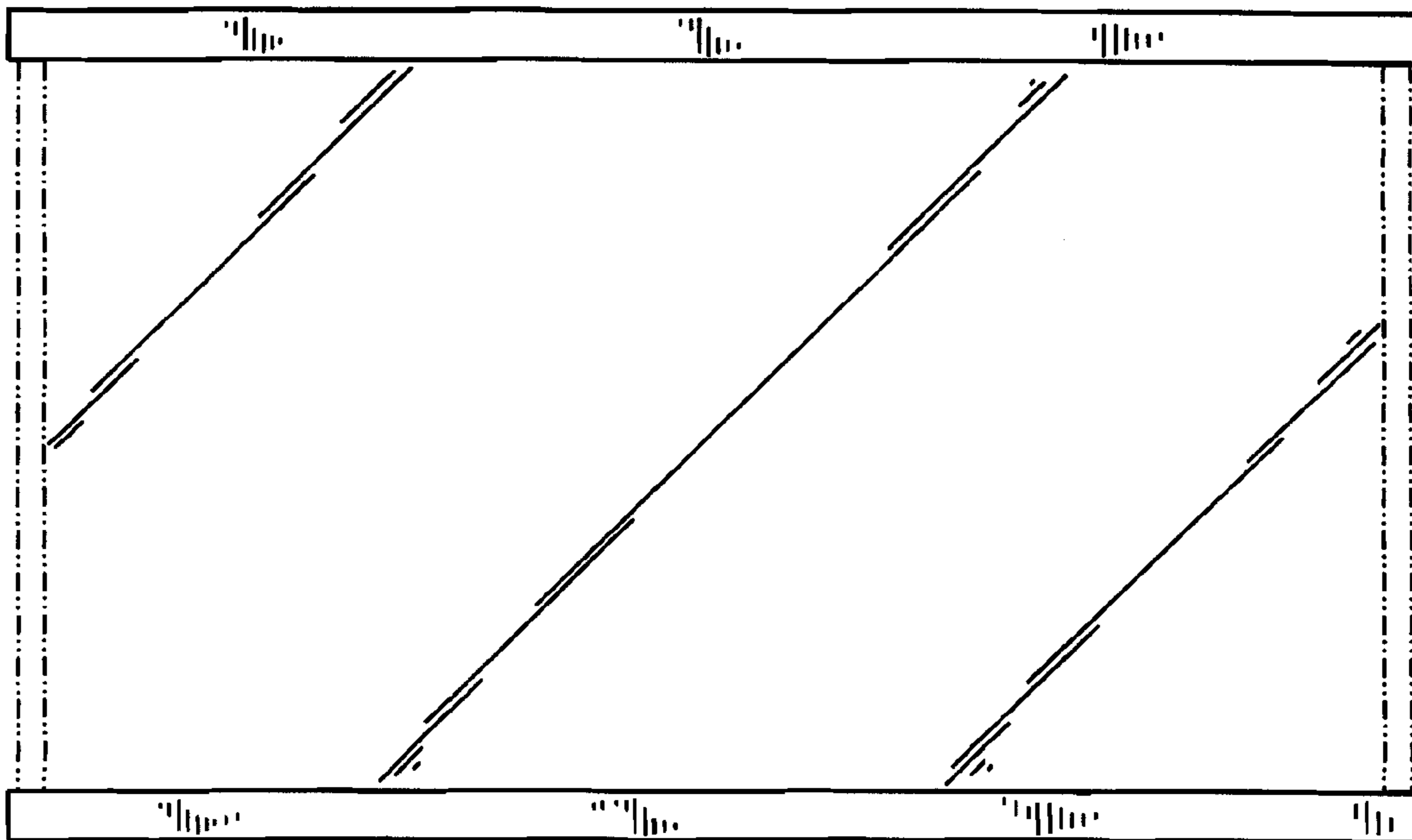


FIG. 7

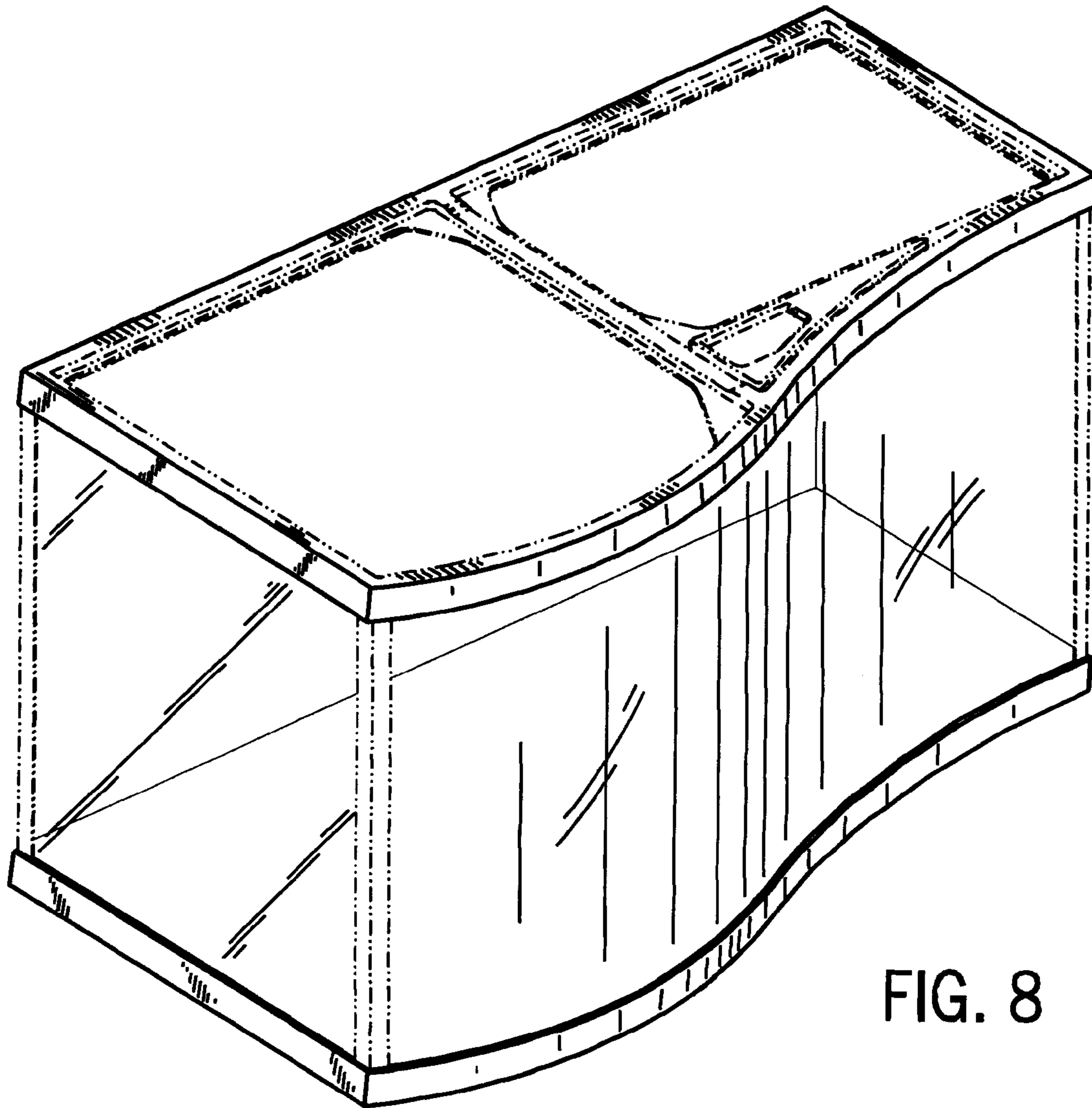


FIG. 8

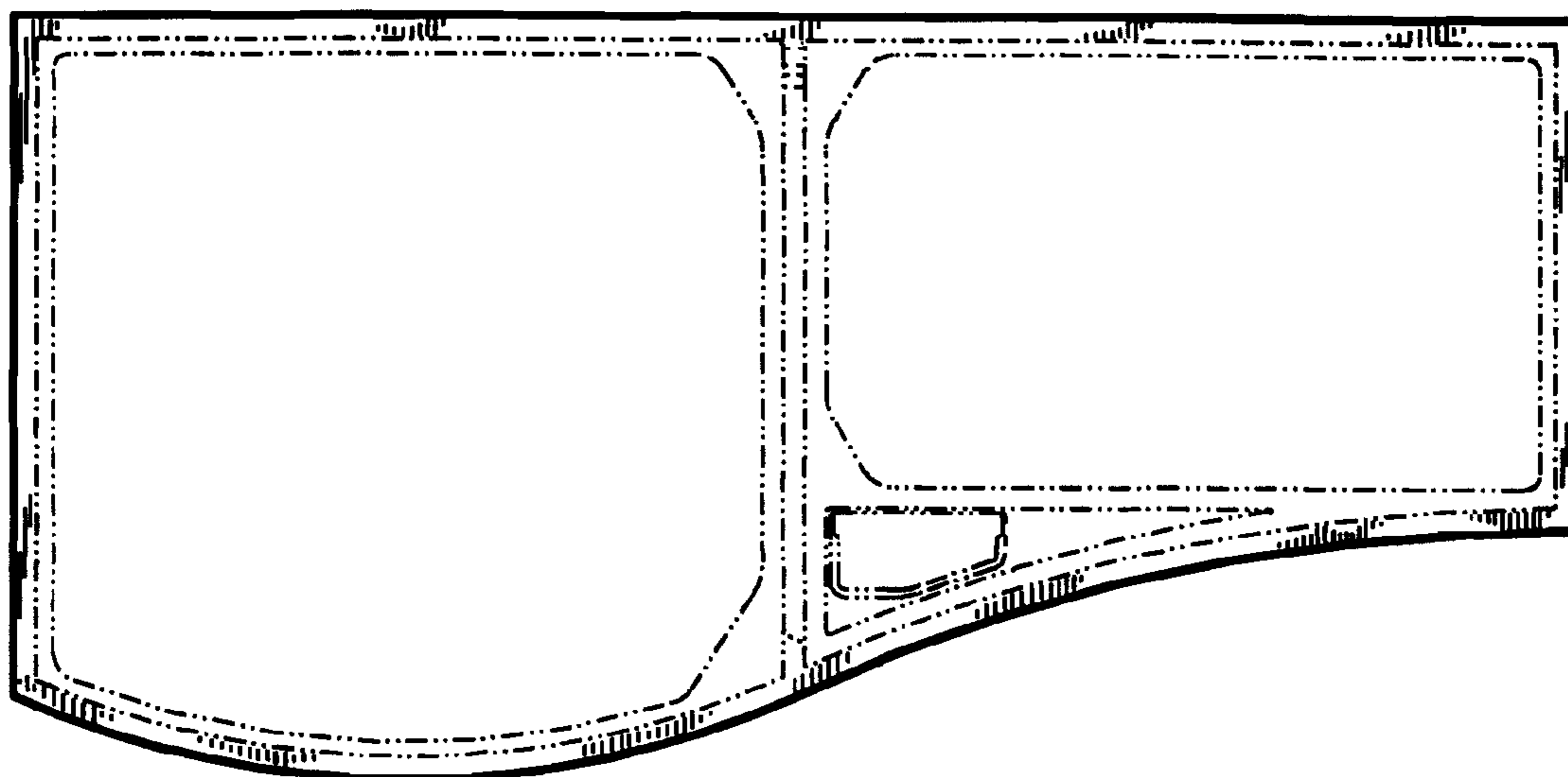


FIG. 9

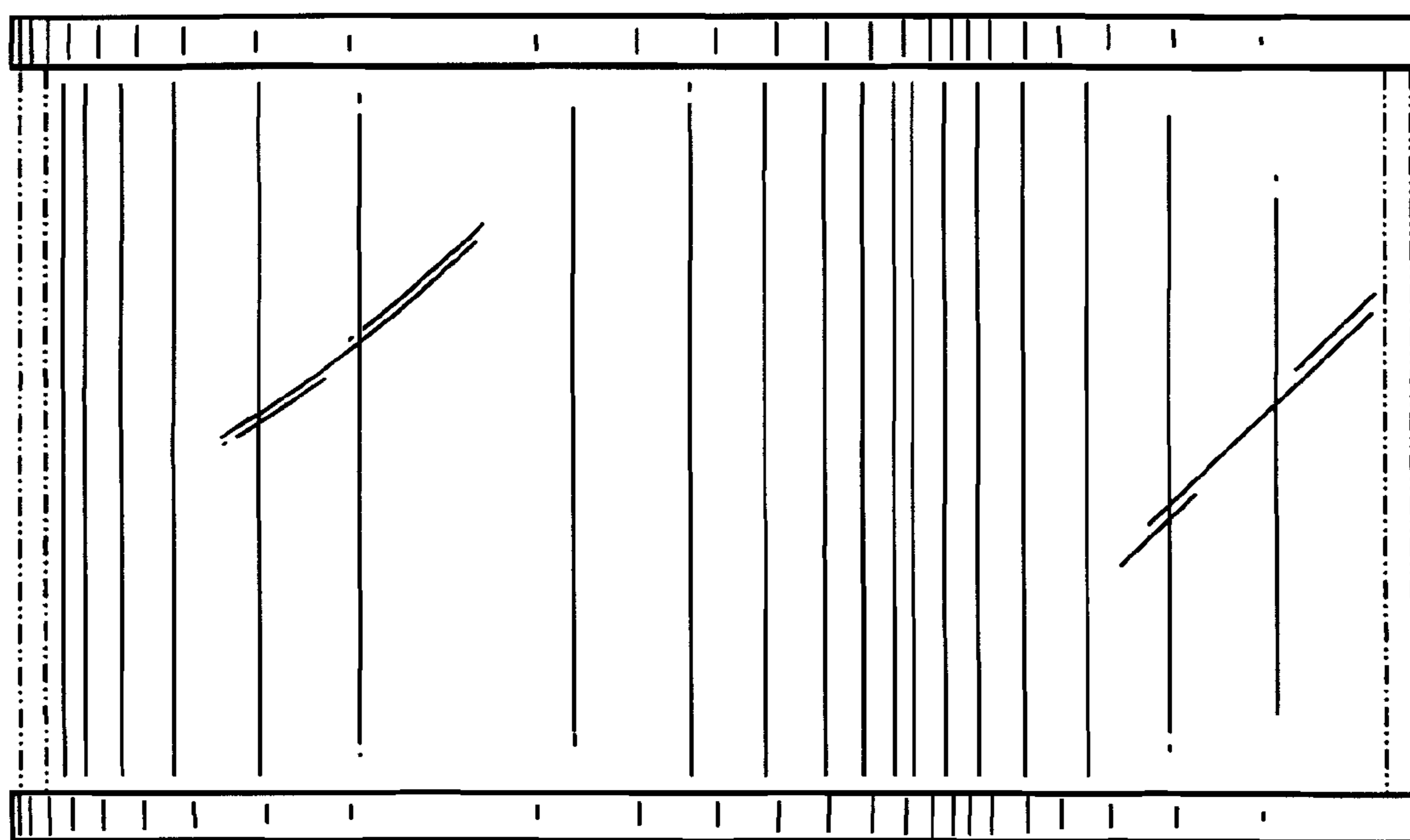


FIG. 10

FIG. 11

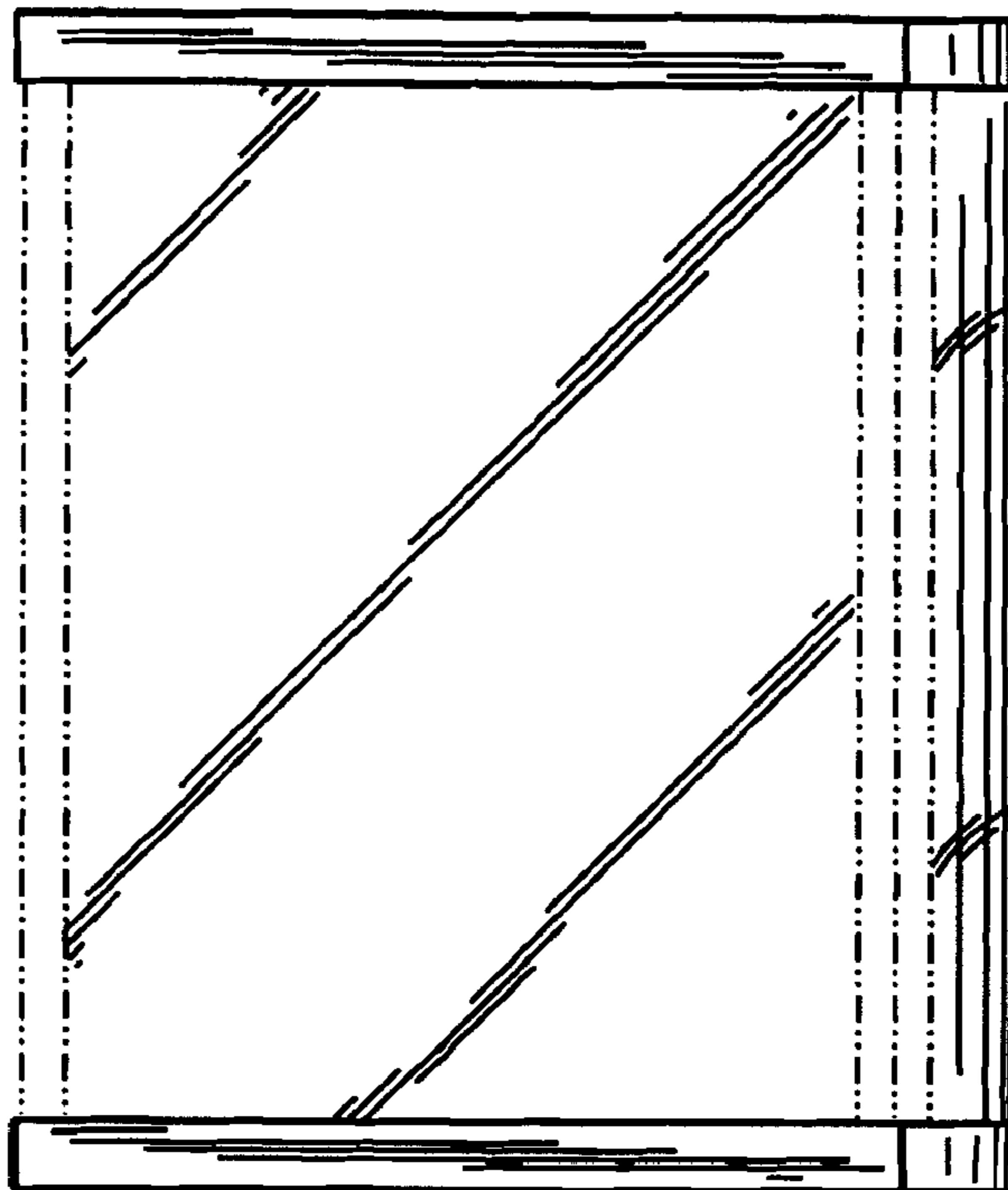
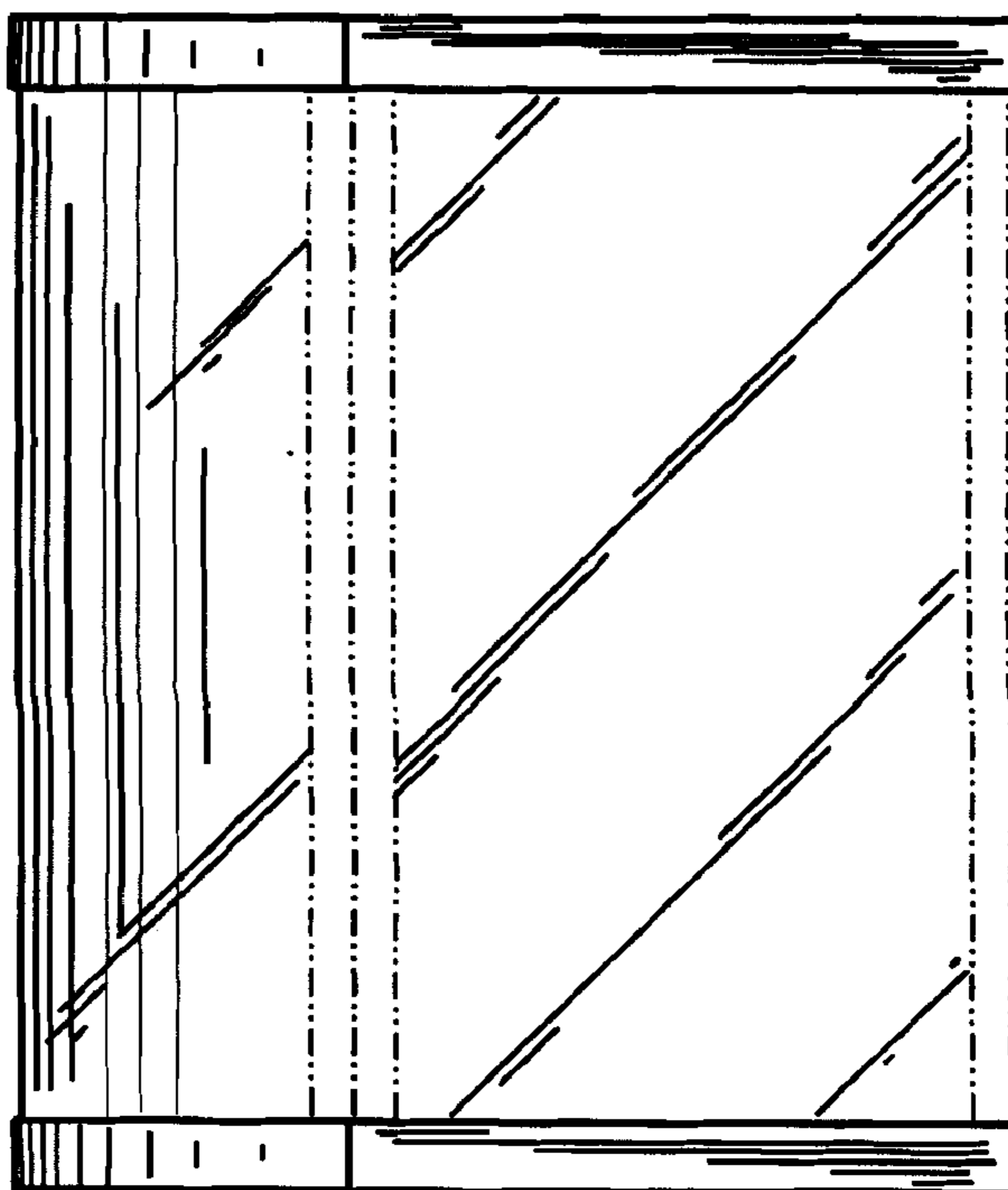


FIG. 12



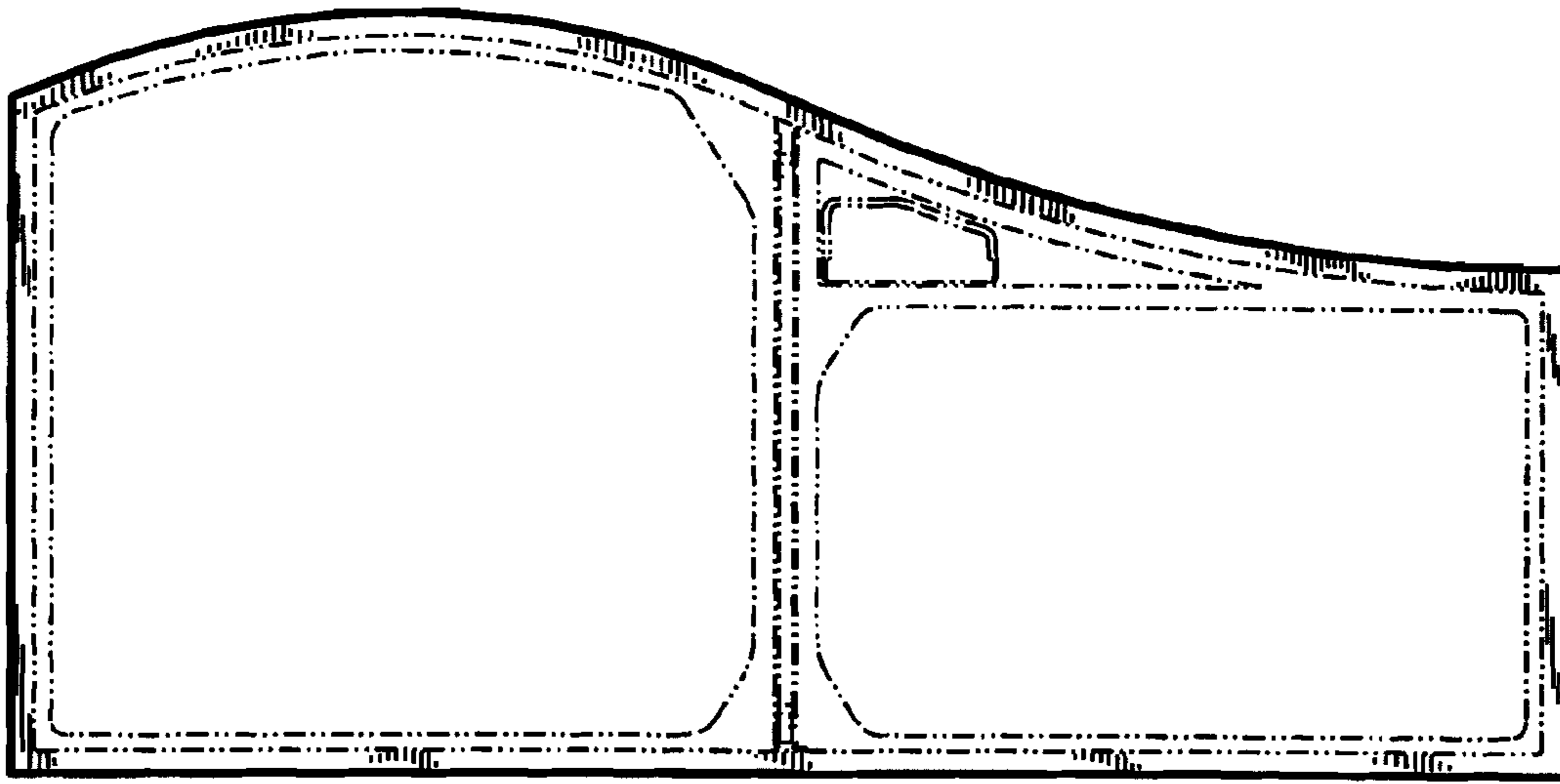


FIG. 13

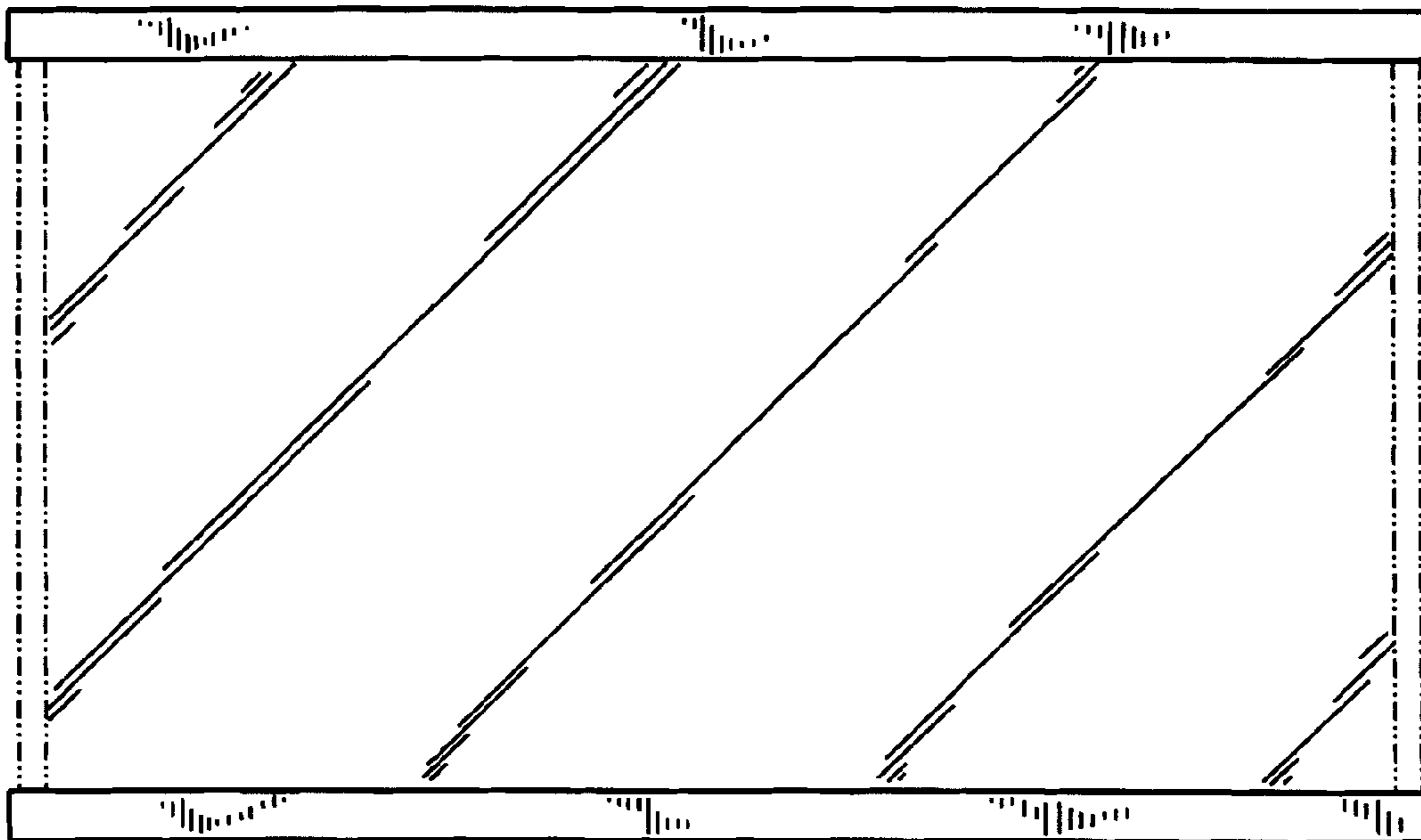


FIG. 14