

US00D548401S

(12) **United States Design Patent** (10) **Patent No.:** **US D548,401 S**
Tinao (45) **Date of Patent:** **** Aug. 7, 2007**

(54) **CHILD SAFETY VEST**

(76) Inventor: **Charleen Tinao**, P.O. Box 1095,
Moloka'i, HI (US) 96748

(**) Term: **14 Years**

(21) Appl. No.: **29/240,805**

(22) Filed: **Oct. 18, 2005**

(51) **LOC (8) Cl.** **02-02**

(52) **U.S. Cl.** **D29/101.4**

(58) **Field of Classification Search** D29/100,
D29/100.1, 100.2, 101.4, 122, 124; D2/828,
D2/829, 847, 860, 861; D21/805; 2/1, 2.17,
2/2.5, 51, 69, 81, 92, 102, 108, 456-459,
2/461-466, 828; 119/49.5, 770; 128/874
See application file for complete search history.

(56) **References Cited**

U.S. PATENT DOCUMENTS

1,316,163	A *	9/1919	Kennedy	297/484
1,574,672	A *	2/1926	McCarroll-Doull	128/875
D106,869	S *	11/1937	Miller	D29/101.1
2,827,898	A *	3/1958	Thompson	128/874
3,047,875	A *	8/1962	Patterson, Jr.	2/1
3,742,945	A *	7/1973	Reinhardt	128/874
D235,489	S *	6/1975	Spitz	D29/101.1
D256,850	S *	9/1980	Donahue	D29/101.1
D297,673	S *	9/1988	Shapero	D29/101.1
D300,474	S *	3/1989	Caulder et al.	D29/101.1
D300,475	S *	3/1989	Caulder et al.	D29/101.1
D302,749	S *	8/1989	Marquez et al.	D29/101.4
D307,039	S *	4/1990	Molinare	D2/829
D319,516	S *	8/1991	Dissing	D29/101.1
5,069,168	A *	12/1991	Roberson et al.	119/770
5,074,588	A *	12/1991	Huspen	280/801.1
D339,217	S *	9/1993	McCue et al.	D29/101.1
D340,542	S *	10/1993	Marlowe	D29/101.1
D375,581	S *	11/1996	Dyer	D29/101.1
5,619,751	A *	4/1997	Ray et al.	2/102
D382,670	S *	8/1997	Sayre	D29/101.1
5,692,456	A *	12/1997	Louks-Phillips	119/770
D409,820	S *	5/1999	Ruscitti	D29/101.4
5,927,235	A *	7/1999	Olaiz	119/770

D453,398	S *	2/2002	Masuda	D29/101.4
D501,906	S *	2/2005	Woods	D21/805
D516,252	S *	2/2006	Farshid et al.	D29/100
2004/0143881	A1 *	7/2004	Fiorini et al.	2/69
2005/0066409	A1 *	3/2005	McDonald et al.	2/102
2006/0213943	A1 *	9/2006	Gold et al.	224/576
2006/0278176	A1 *	12/2006	Chigirnskaya et al.	119/770
2006/0288957	A1 *	12/2006	Sumner et al.	119/770

* cited by examiner

Primary Examiner—T. Chase Nelson

Assistant Examiner—Karen Acker

(74) *Attorney, Agent, or Firm*—Leighton K. Chong

(57) **CLAIM**

The ornamental design for the child safety vest, as shown and described.

DESCRIPTION

FIG. 1 is a front view in perspective of my new design for a child safety vest;

FIG. 2 is a front view of the child safety vest shown in FIG. 1;

FIG. 3 is a rear view of the child safety vest shown in FIG. 1;

FIG. 4 is a right side view of the child safety vest shown in FIG. 1;

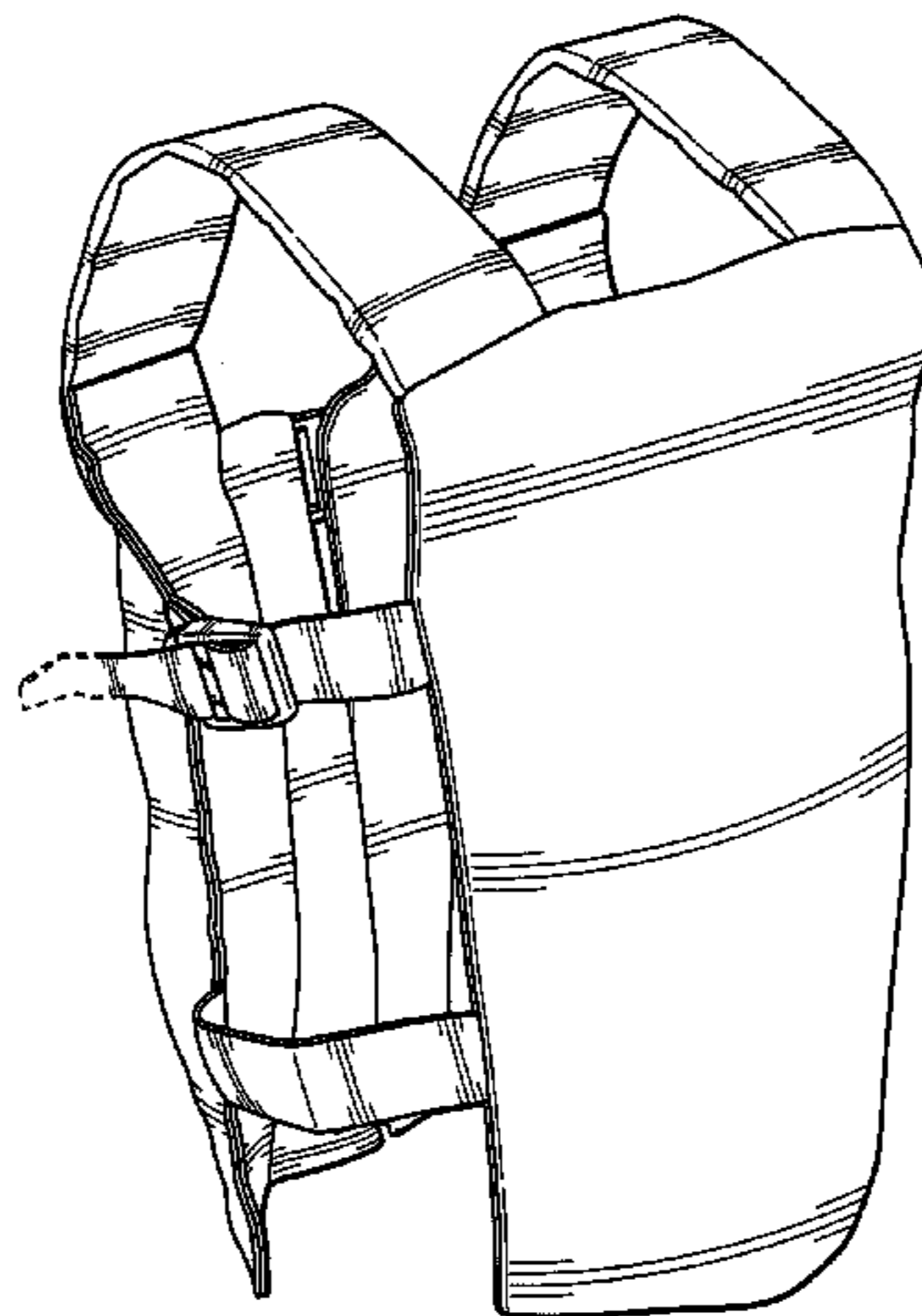
FIG. 5 is a left side view of the child safety vest shown in FIG. 1;

FIG. 6 is a top view of the child safety vest shown in FIG. 1; and,

FIG. 7 is a perspective view of the child safety vest showing it in use on a child (in phantom line) for attachment by a strap to a waist belt worn by an adult (in phantom line) for hands-free use.

Phantom lines depicting the strap leading from the vest and other environmental structure in FIGS. 1 through 7 are for illustrative purposes only and form no part of the claimed design.

1 Claim, 6 Drawing Sheets



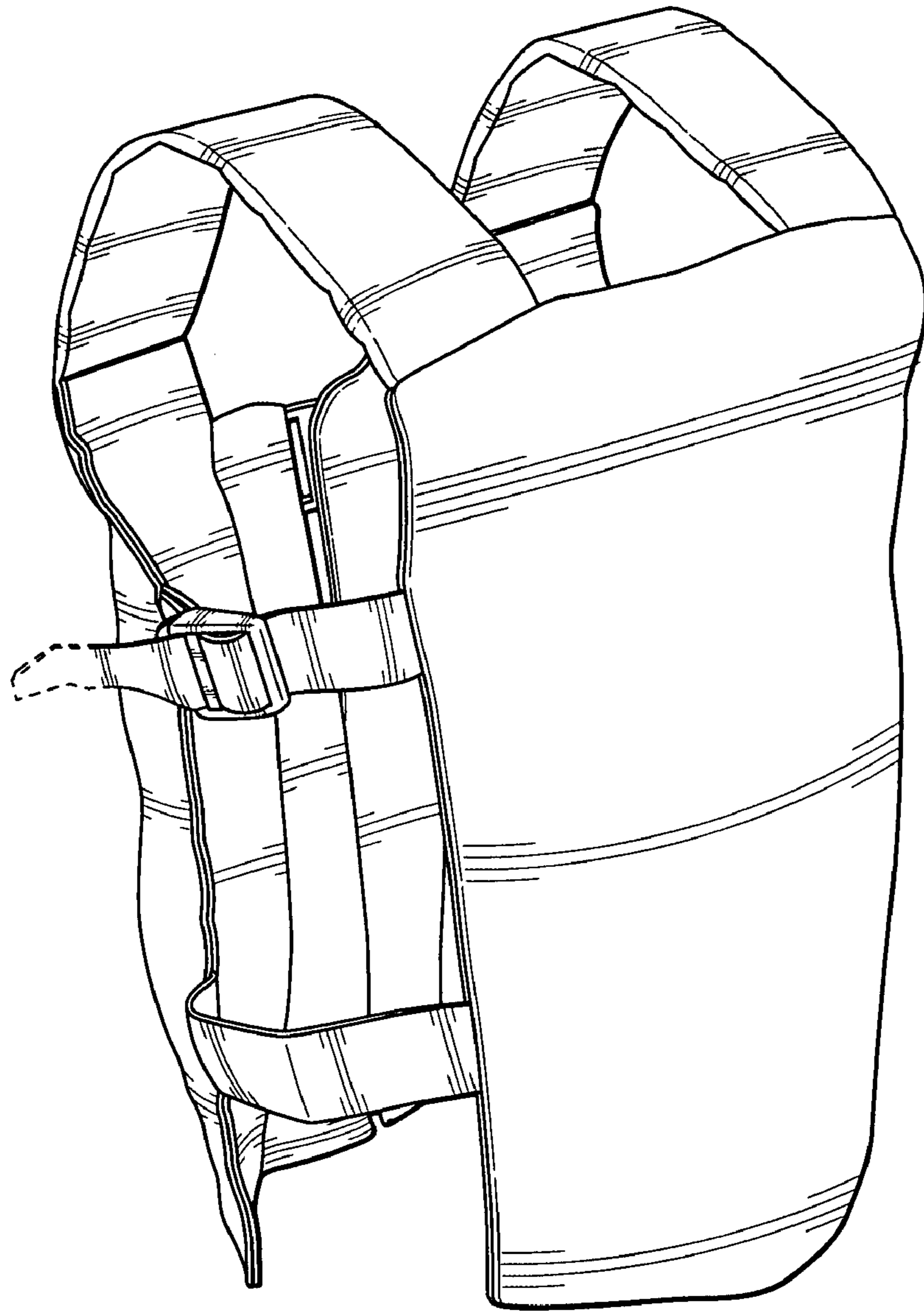


FIG. 1

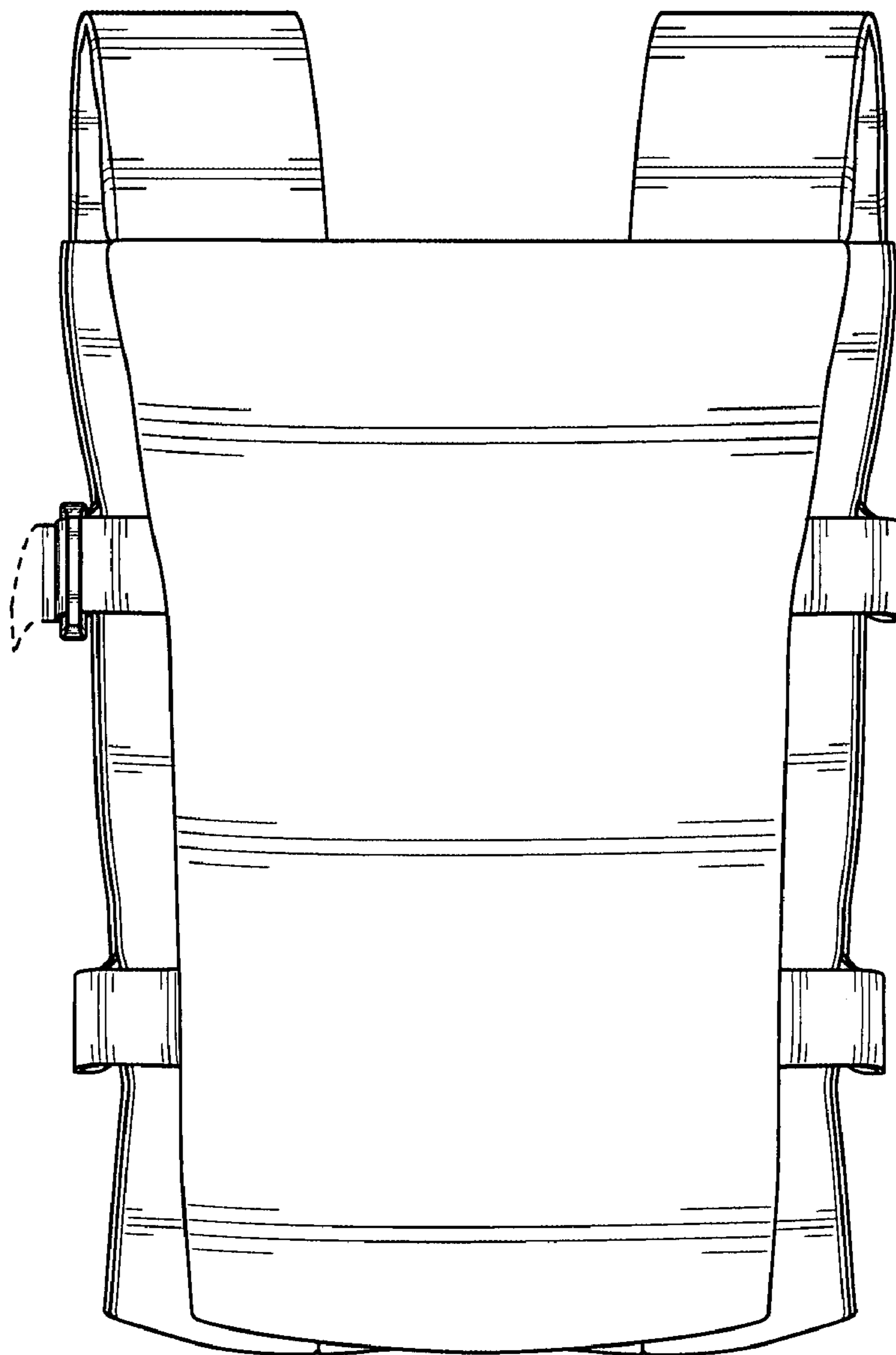


FIG. 2

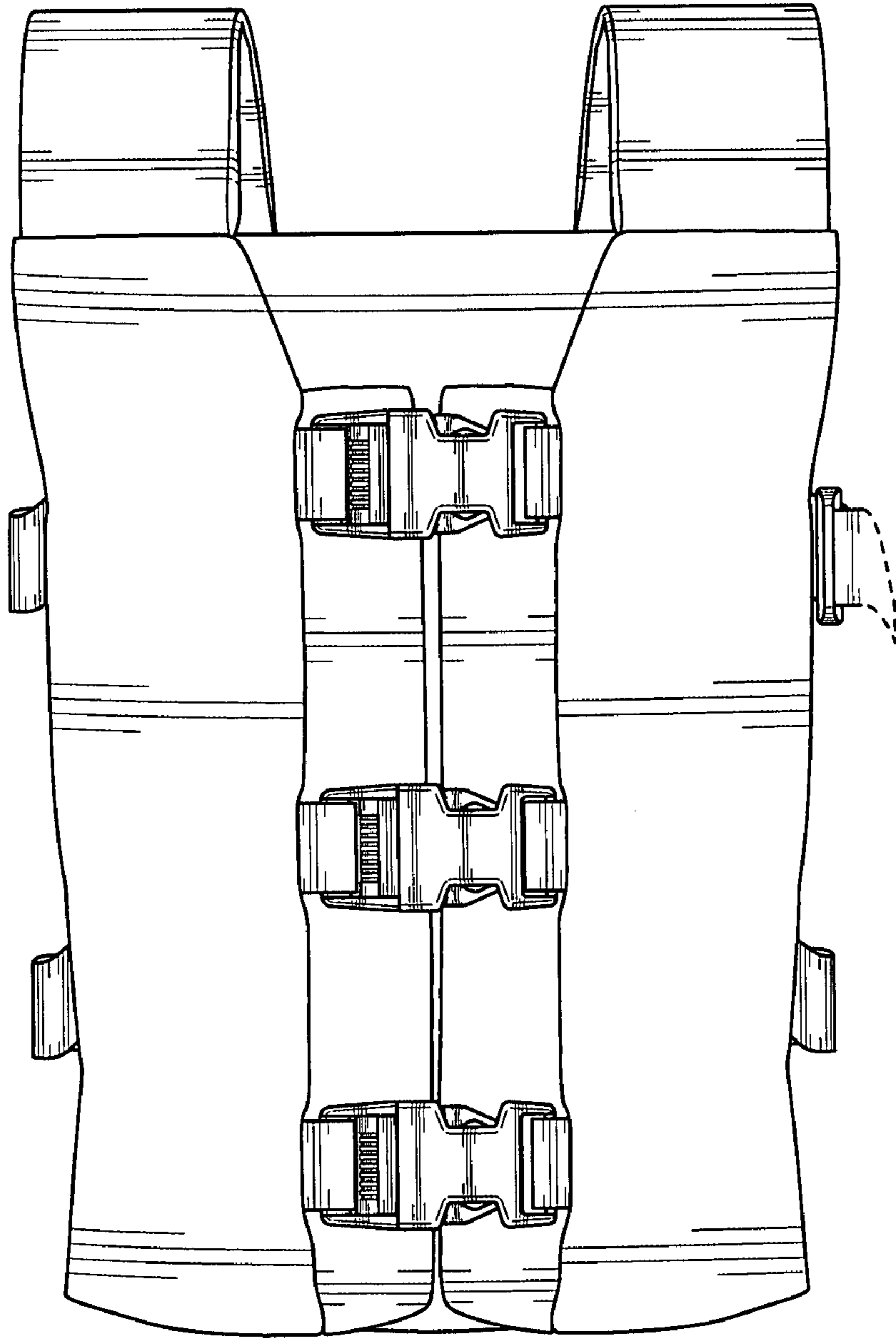


FIG. 3

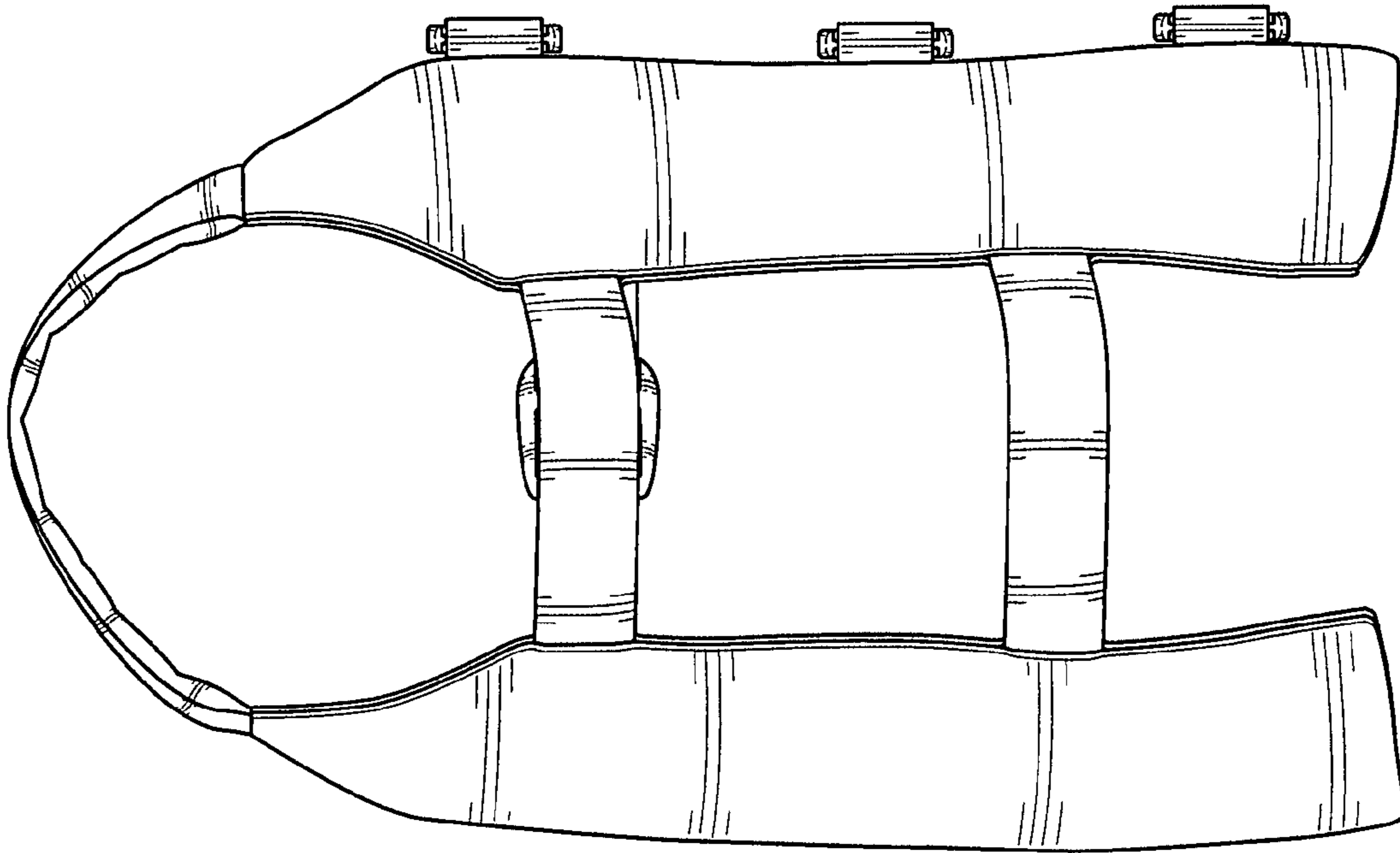


FIG. 5

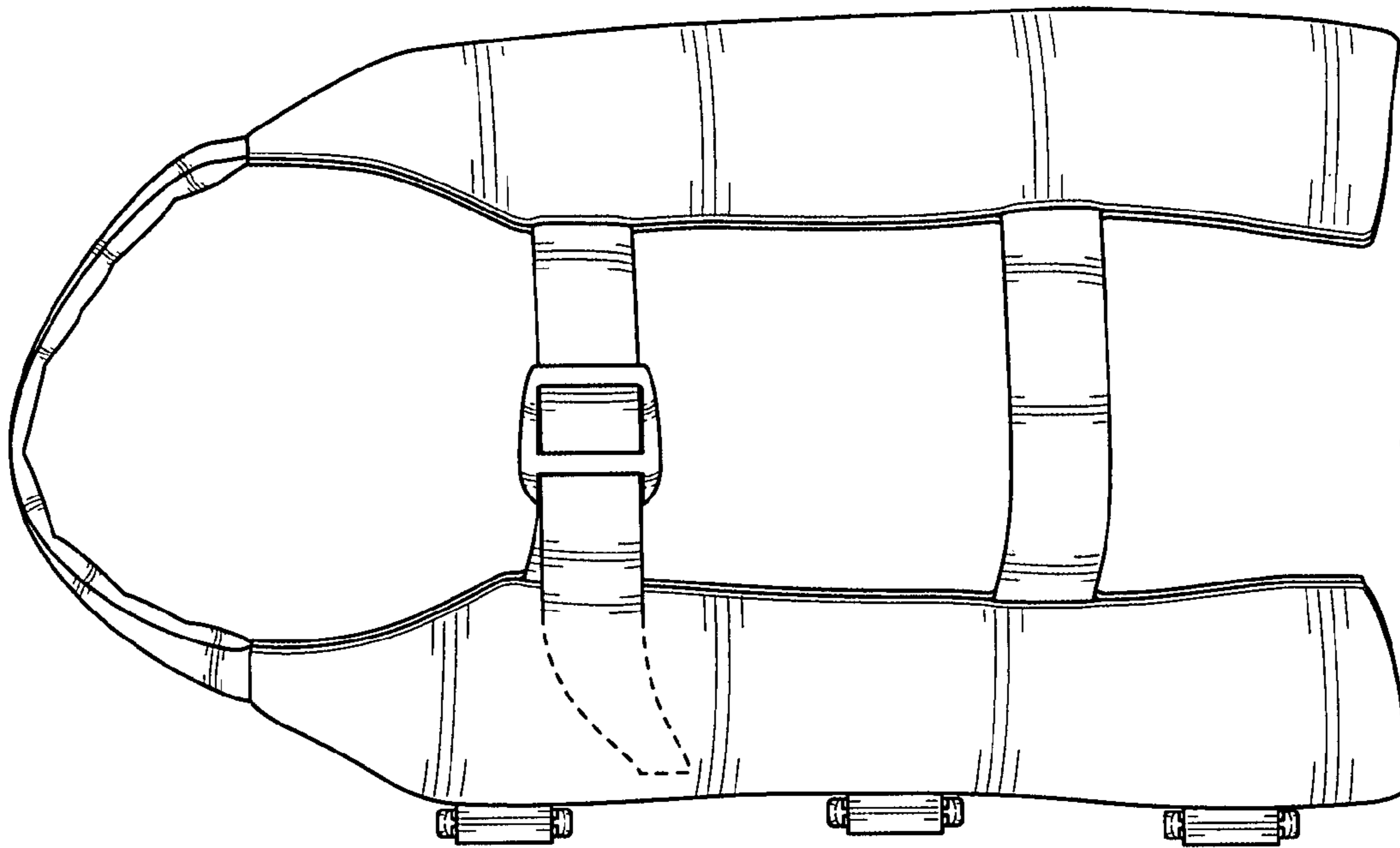


FIG. 4

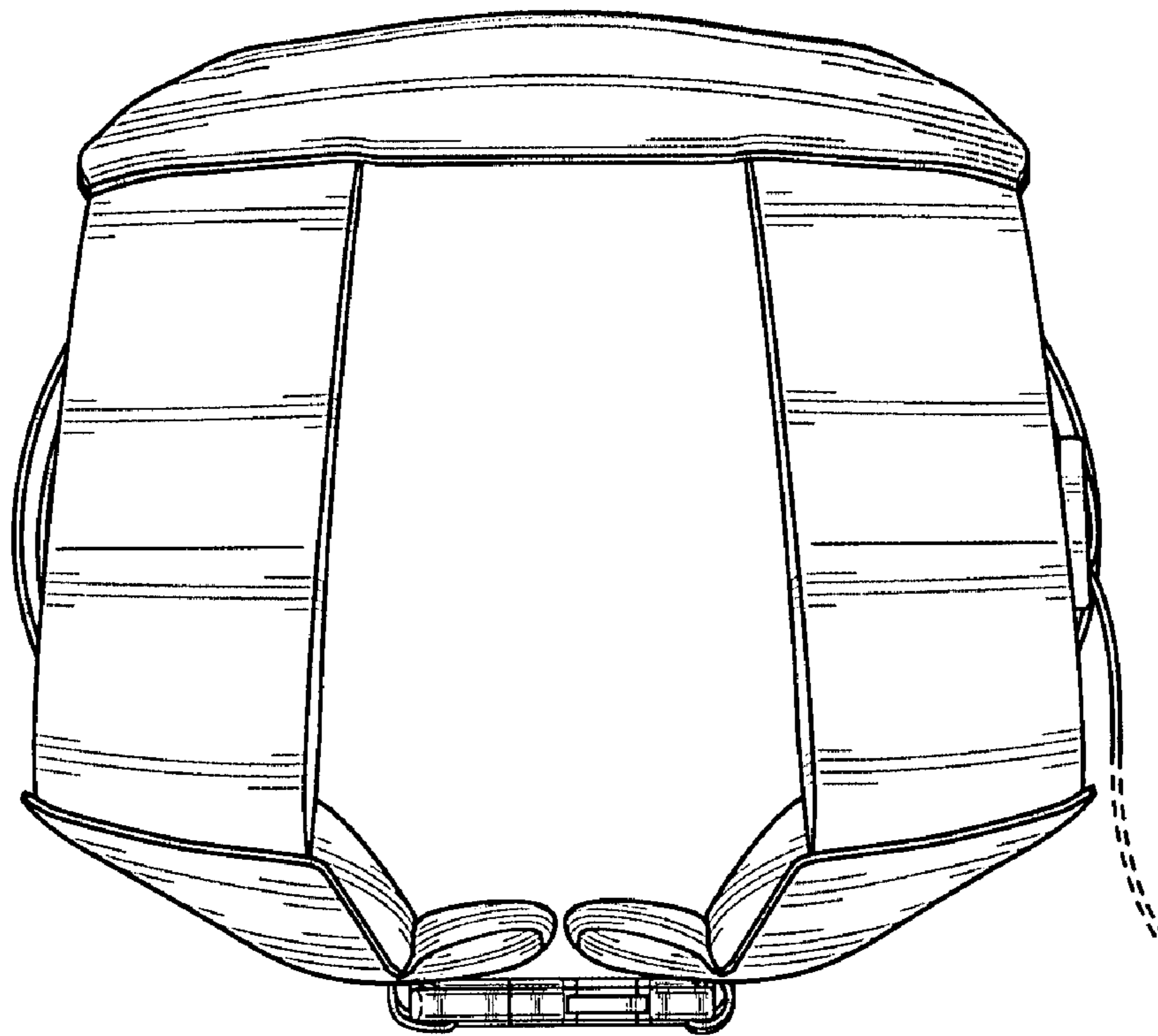


FIG. 6

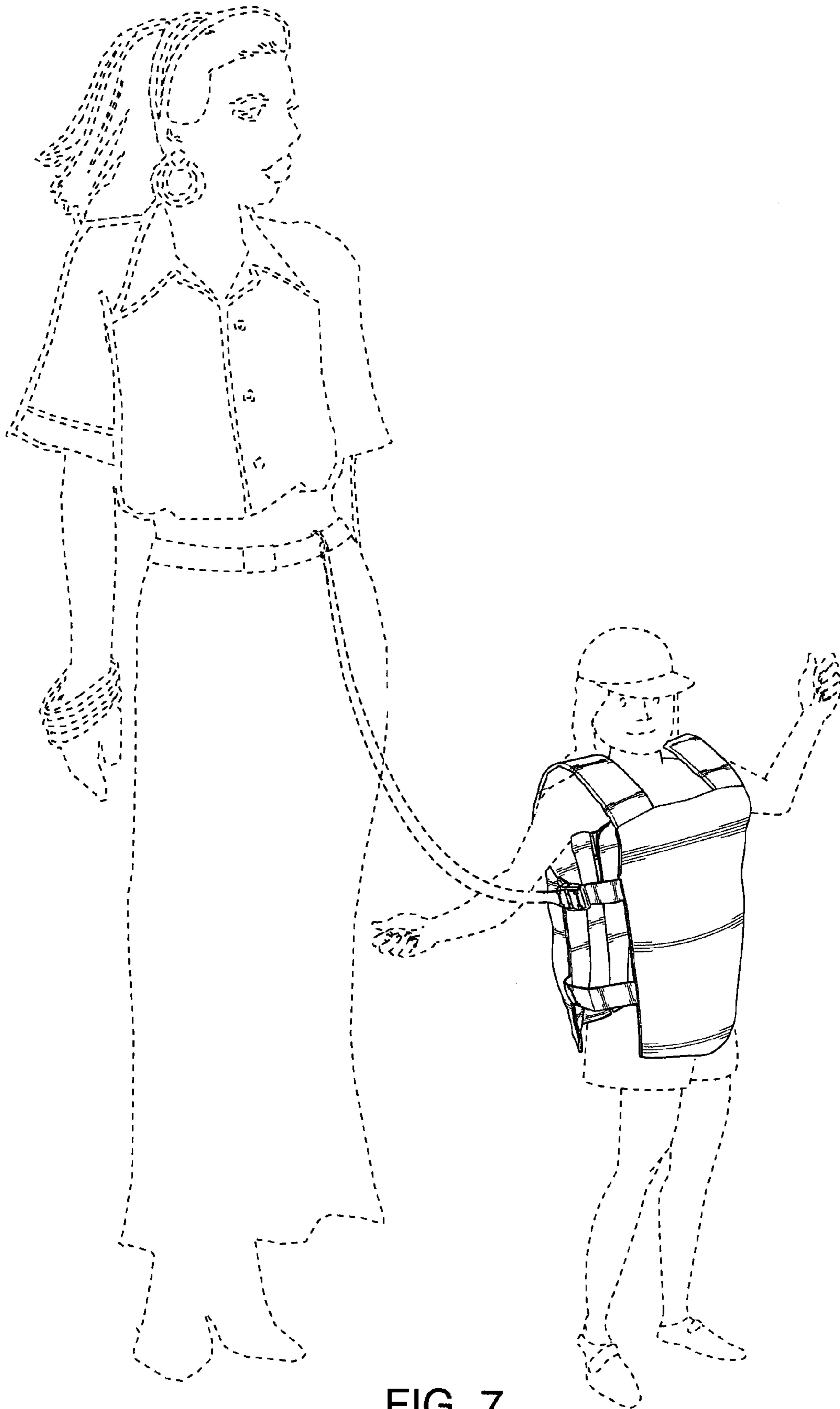


FIG. 7