

US00D548399S

(12) **United States Design Patent**
Nikaido et al.

(10) **Patent No.:** **US D548,399 S**

(45) **Date of Patent:** **** Aug. 7, 2007**

(54) **HAND DRYER**

FOREIGN PATENT DOCUMENTS

(75) Inventors: **Yutaka Nikaido**, Tokyo (JP); **Takeyuki Hori**, Tokyo (JP)

KR 30-2003-0028104 10/2003

* cited by examiner

(73) Assignee: **Mitsubishi Denki Kabushiki Kaisha**, Tokyo (JP)

Primary Examiner—Janice E. Seeger

Assistant Examiner—Zenia I. Bennett

(74) *Attorney, Agent, or Firm*—Sughrue Mion, PLLC

(**) Term: **14 Years**

(21) Appl. No.: **29/252,208**

(22) Filed: **Jan. 20, 2006**

(30) **Foreign Application Priority Data**

Aug. 3, 2005 (JP) 2005-022579

(51) **LOC (8) Cl.** **28-03**

(52) **U.S. Cl.** **D28/54.1**

(58) **Field of Classification Search** D28/54.1,
D28/58, 12; 392/380, 381; D23/357, 361,
D23/385, 370, 371; 34/266, 201, 202
See application file for complete search history.

(56) **References Cited**

U.S. PATENT DOCUMENTS

D253,244 S	*	10/1979	Aroa	D28/54.1
D254,565 S	*	3/1980	Brown	D23/377
D279,412 S	*	6/1985	Fung	D28/58
D280,660 S	*	9/1985	Muchenberger	D23/357
D286,211 S	*	10/1986	Zinbarg et al.	D28/58
D292,625 S	*	11/1987	Fung	D28/58
D381,464 S	*	7/1997	Schaeffer et al.	D28/54.1
D483,152 S	*	12/2003	Martinuzzo et al.	D28/54.1
D533,305 S	*	12/2006	Takahashi et al.	D28/54.1

(57) **CLAIM**

The ornamental design for a hand dryer, as shown and described.

DESCRIPTION

FIG. 1 is a front, top and right side perspective view of a hand dryer, showing our new design;

FIG. 2 is a front elevational view thereof;

FIG. 3 is a rear elevational view thereof;

FIG. 4 is a top plan view thereof;

FIG. 5 is a bottom plan view thereof;

FIG. 6 is a left side elevational view thereof;

FIG. 7 is a right side elevational view thereof;

FIG. 8 is an enlarged fragmentary view taken along line 8—8 of FIG. 4;

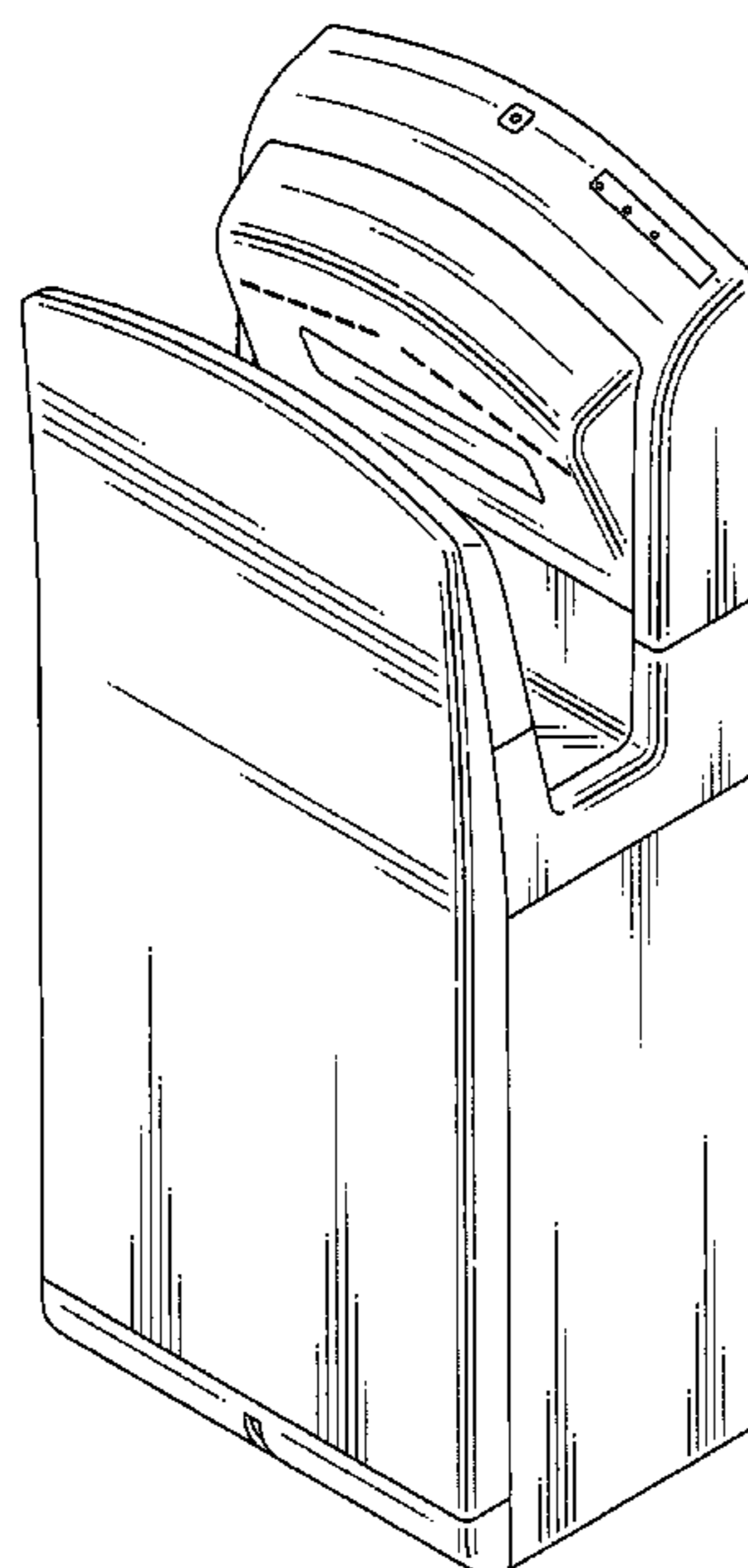
FIG. 9 is an enlarged fragmentary view taken along line 9—9 of FIG. 4;

FIG. 10 is an enlarged top plan reference view thereof; and,

FIG. 11 is a right side view; the broken lines are for environmental purposes only and form no part of the claimed design.

The broken lines in FIGS. 1, 4, 8, 9 and 10 is a series of air jet openings which is a part of the claimed design.

1 Claim, 9 Drawing Sheets



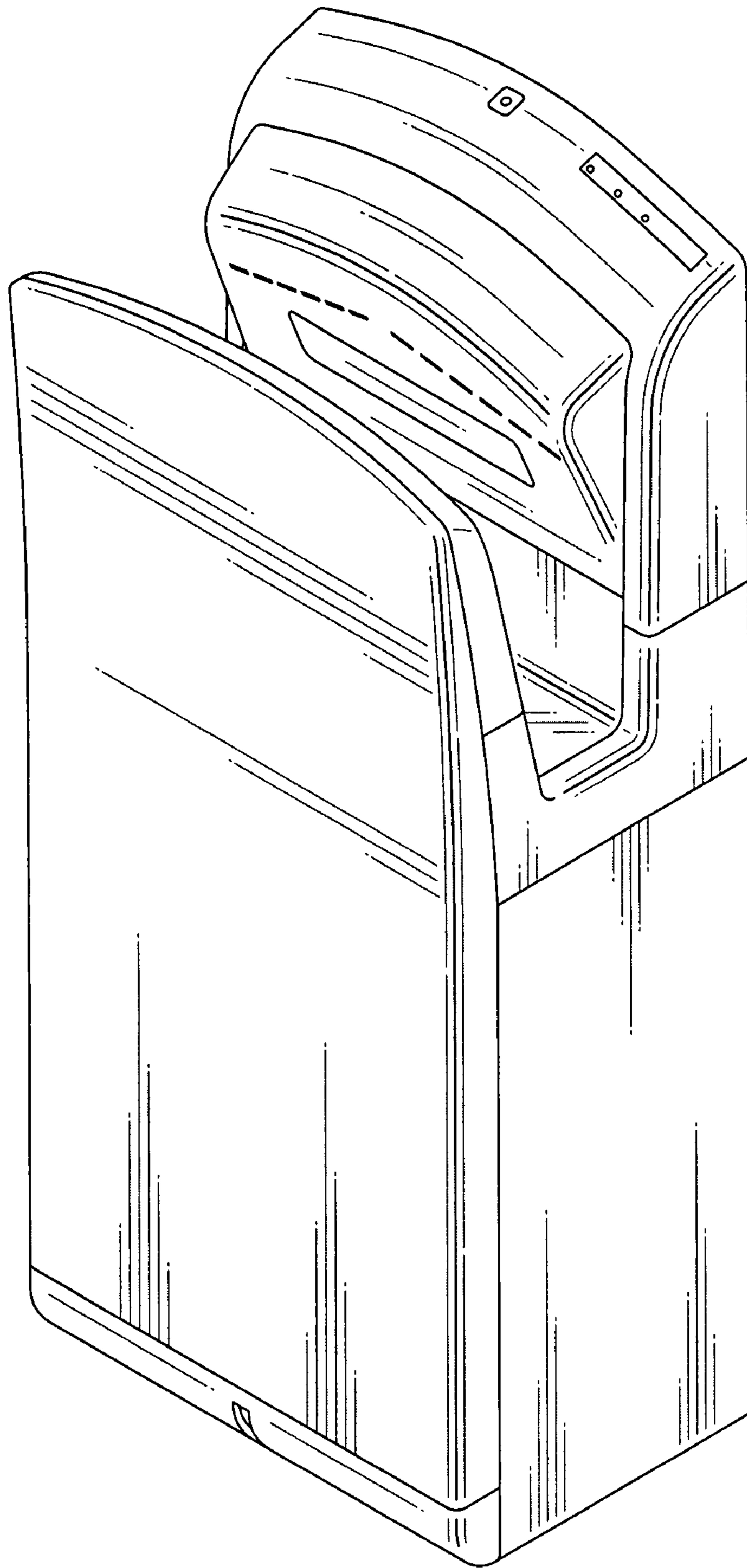


FIG. 1

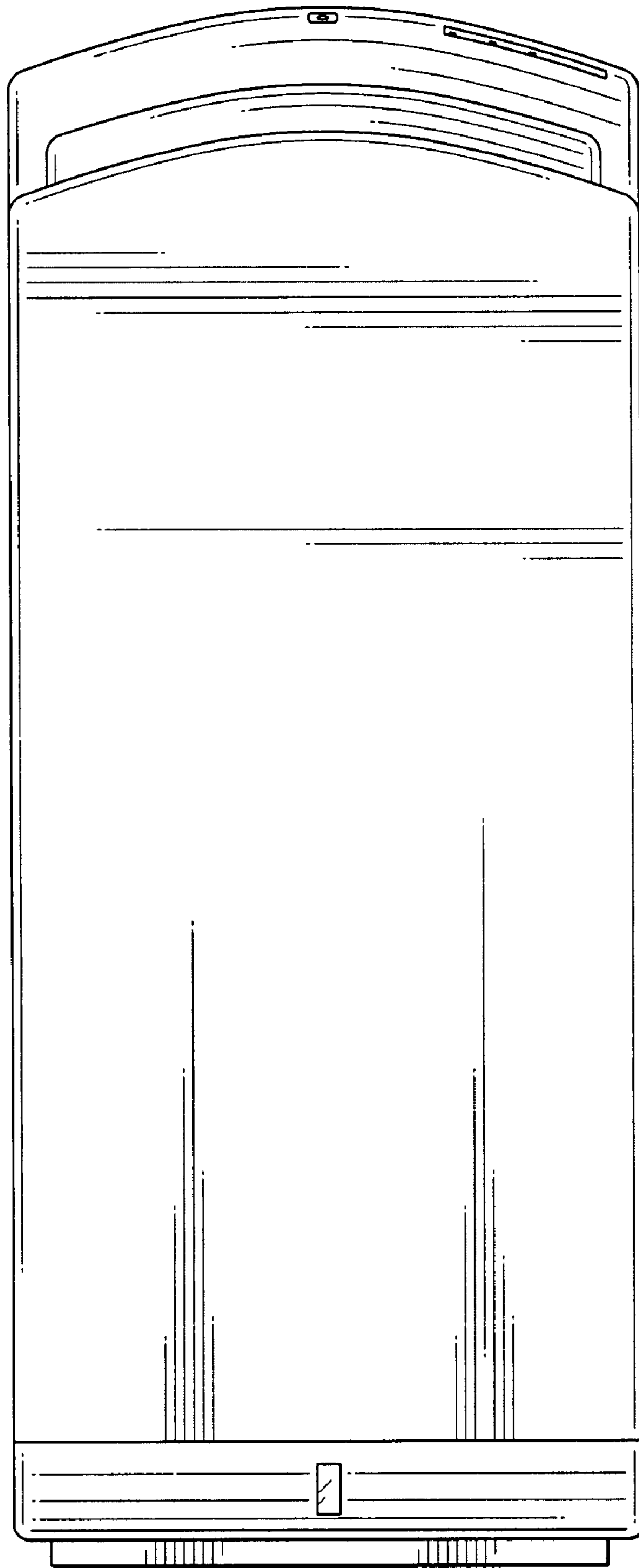


FIG.2

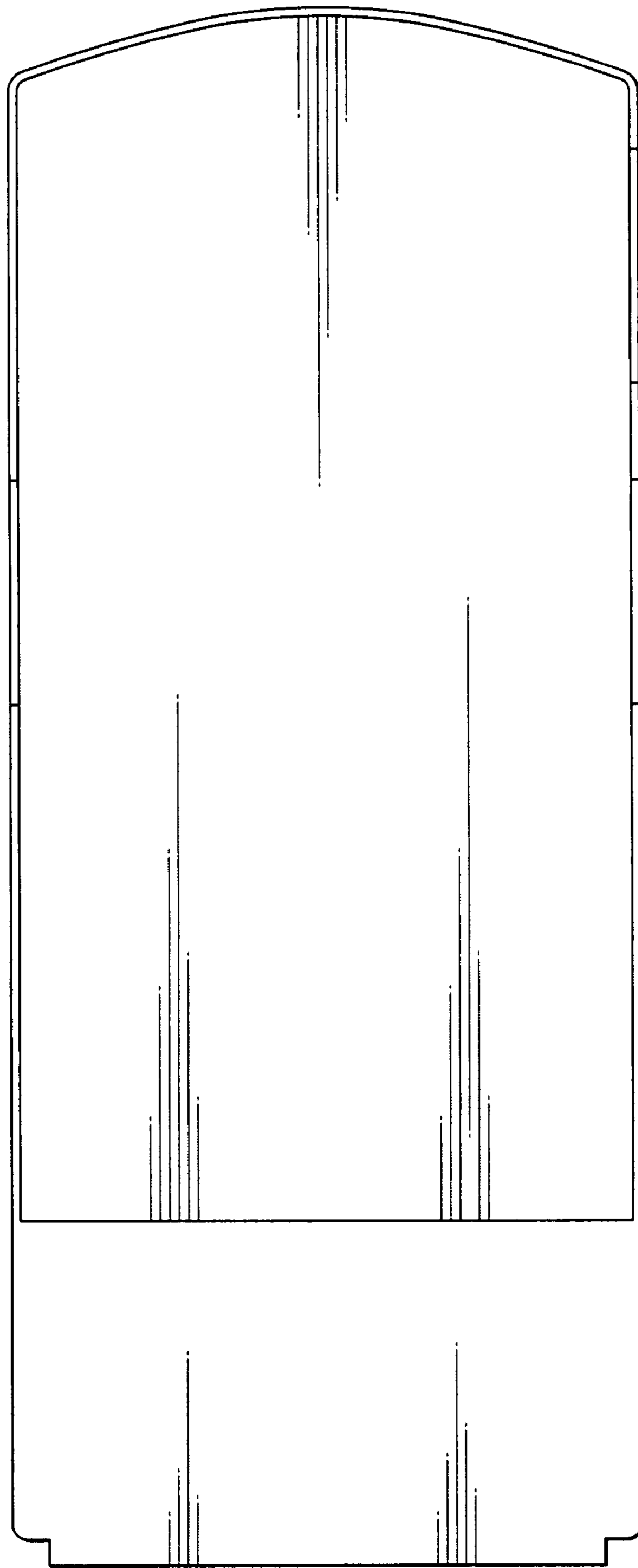


FIG.3

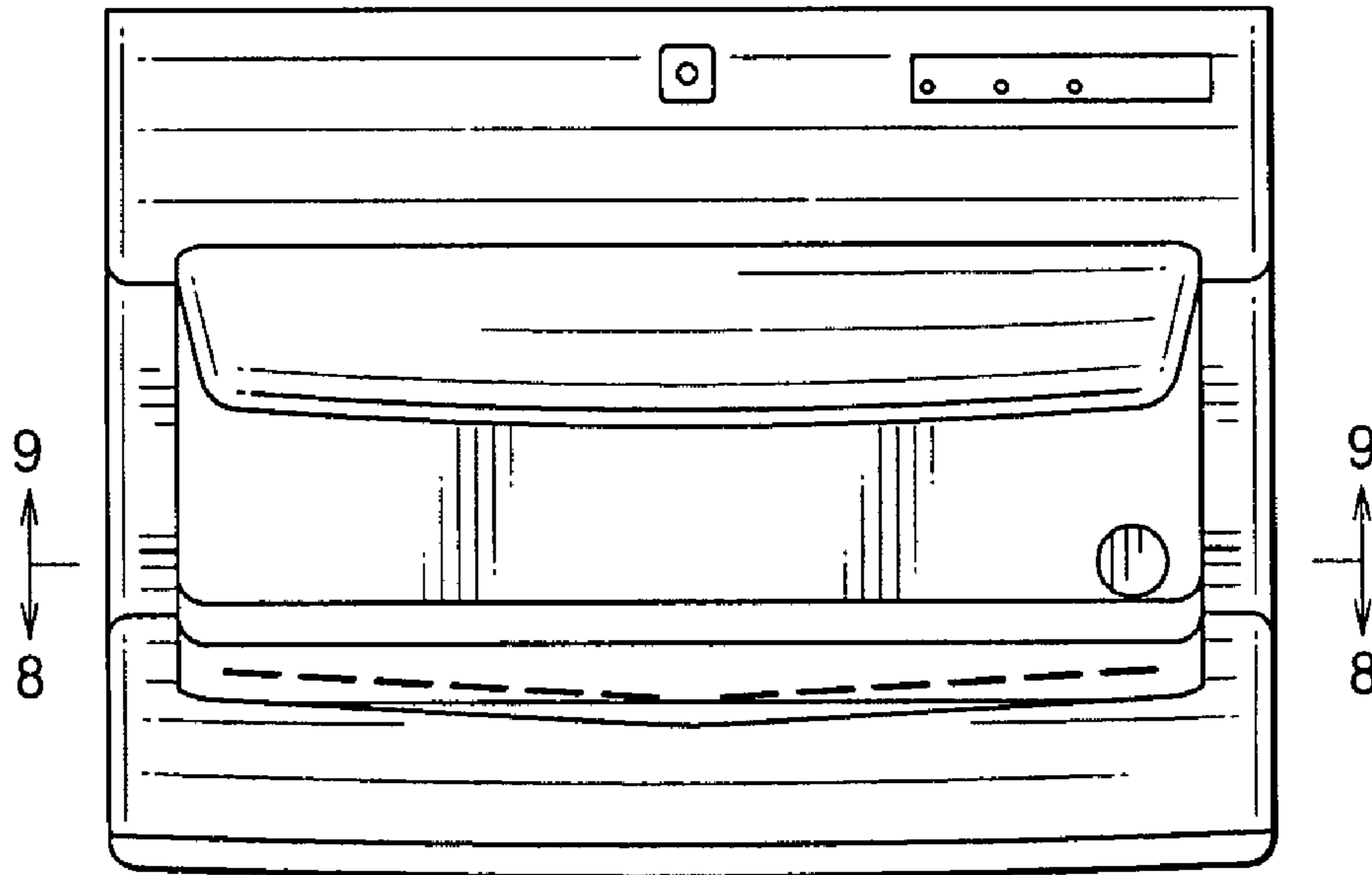


FIG. 4

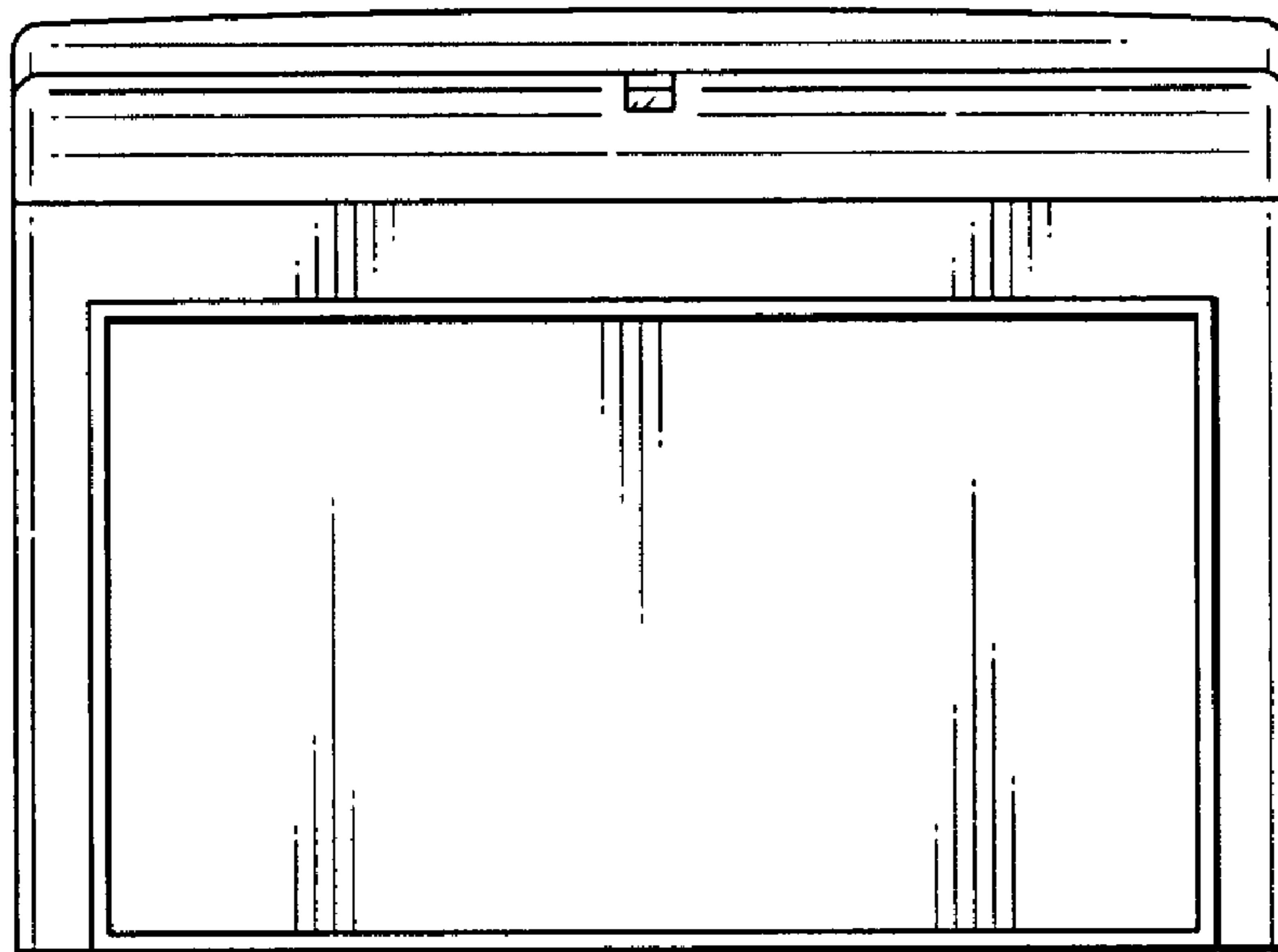


FIG. 5

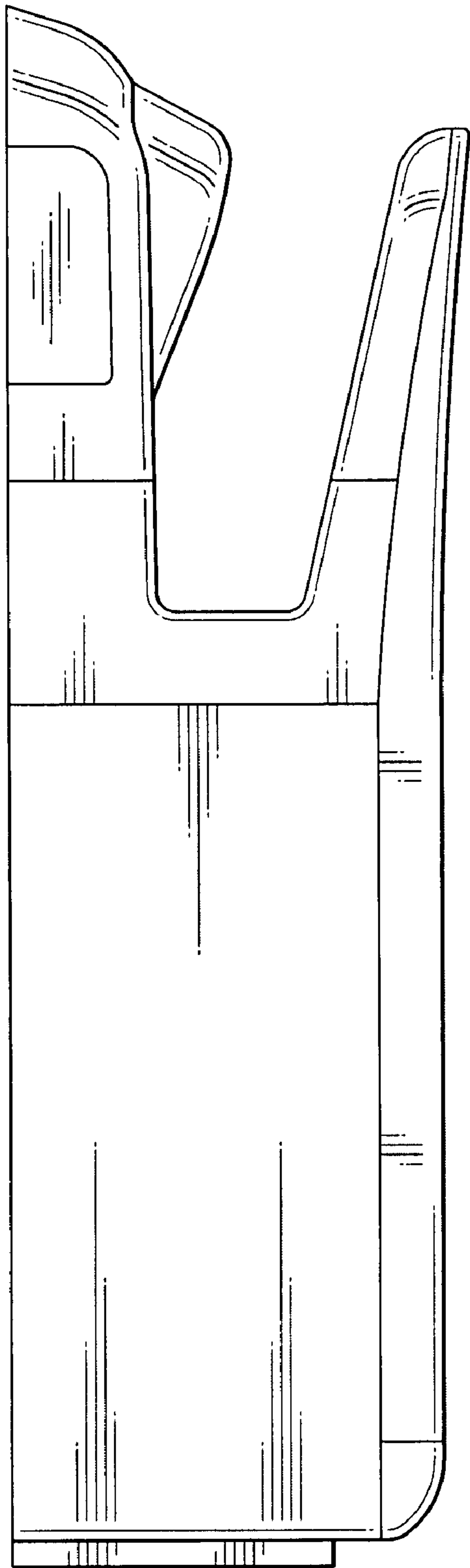


FIG. 6

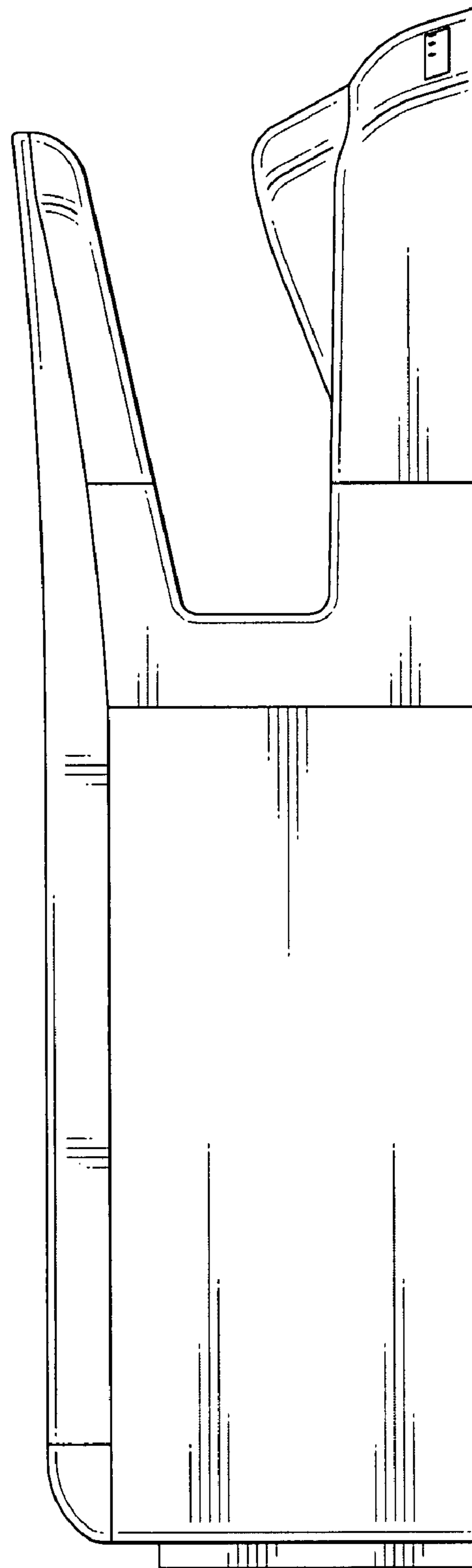


FIG. 7

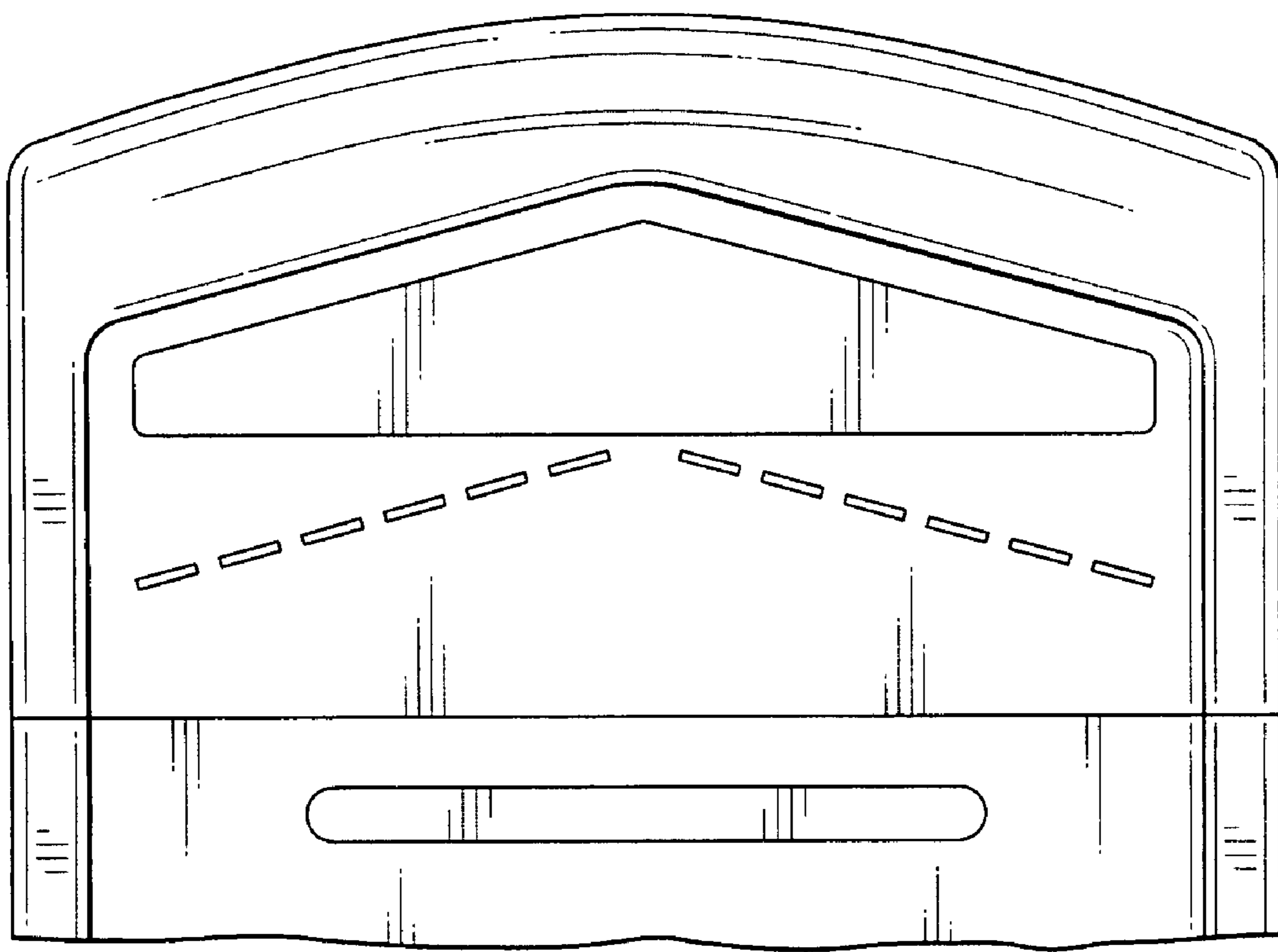


FIG.8

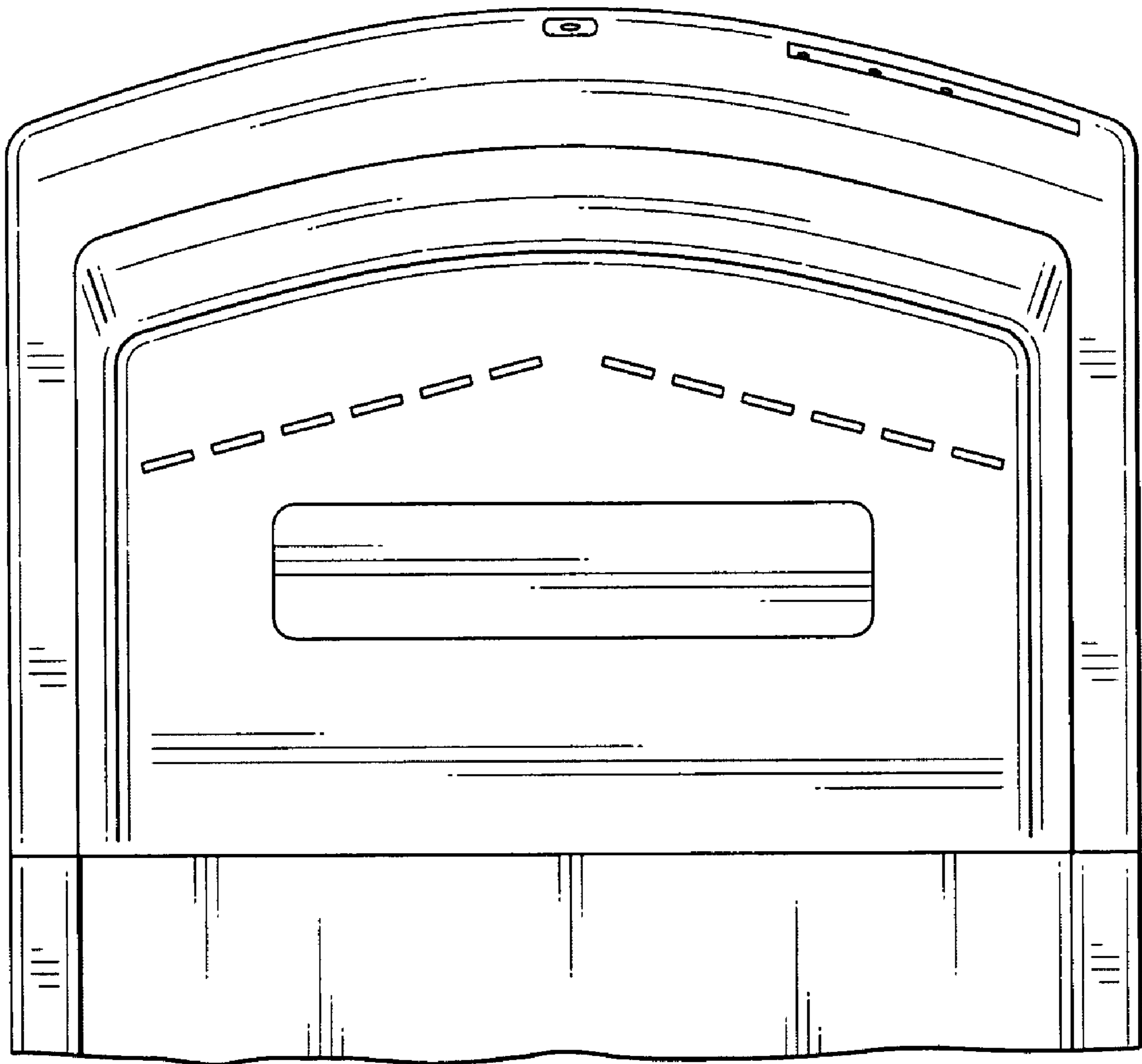


FIG.9

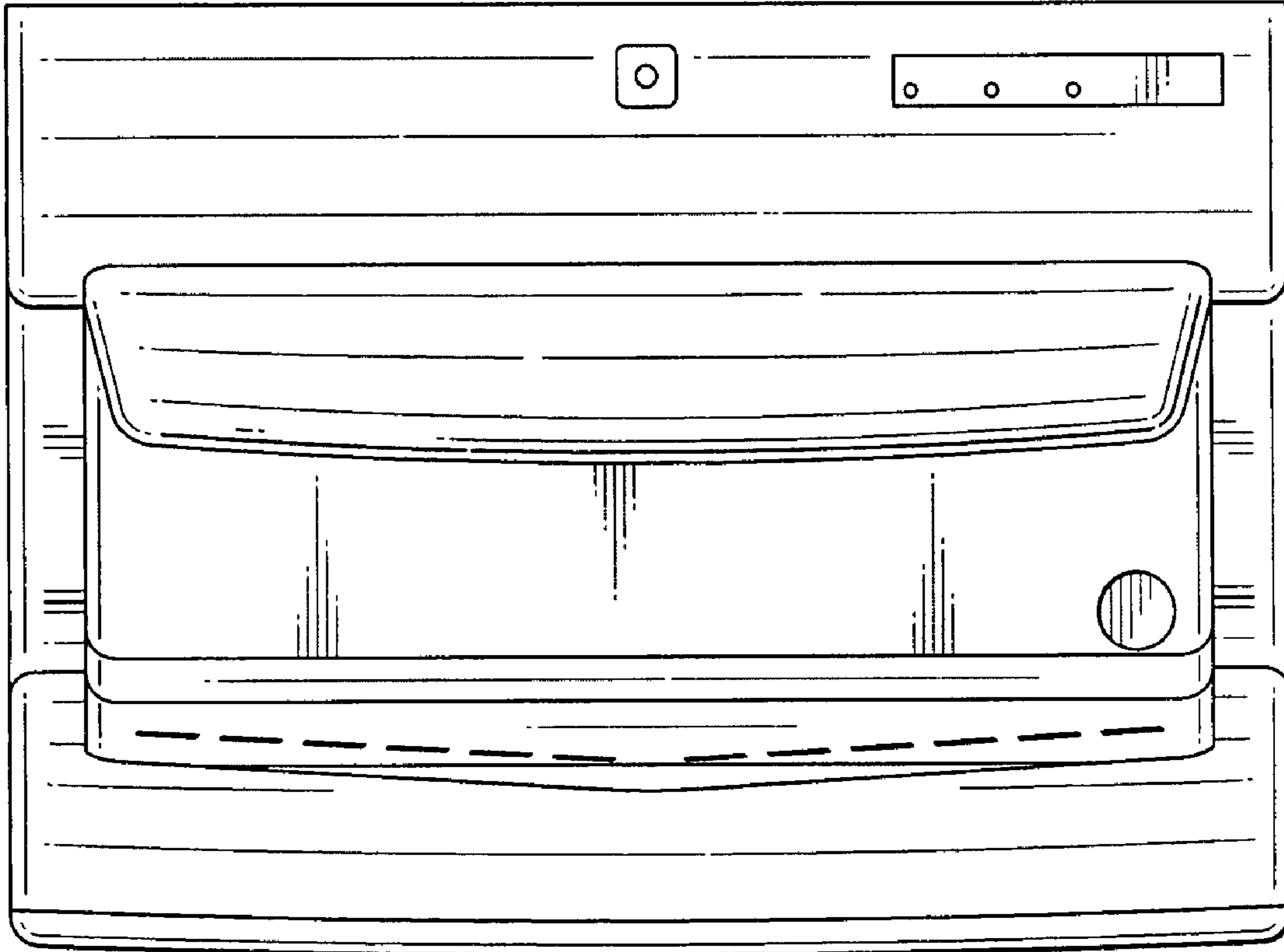


FIG.10

