



US00D548392S

(12) **United States Design Patent**
Lo et al.

(10) **Patent No.:** **US D548,392 S**
(45) **Date of Patent:** **** Aug. 7, 2007**

(54) **WATERING NOZZLE**

(76) Inventors: **Shun-Nan Lo**, P.O. Box 215, Taichung (TW); **King-Yuan Wang**, P.O. Box 215, Taichung (TW)

(**) Term: **14 Years**

(21) Appl. No.: **29/251,012**

(22) Filed: **Jan. 4, 2006**

(30) **Foreign Application Priority Data**

Dec. 19, 2005 (TW) 94307749

(51) **LOC (8) Cl.** **23-01**

(52) **U.S. Cl.** **D26/226**

(58) **Field of Classification Search** D23/213,
D23/223, 226; 239/525-527

See application file for complete search history.

(56) **References Cited**

U.S. PATENT DOCUMENTS

D408,498 S * 4/1999 Wang D23/226
5,967,422 A * 10/1999 Wang 239/526

D468,802 S * 1/2003 Nien D23/226
D486,555 S * 2/2004 Chen D23/226
D534,241 S * 12/2006 Wang D23/226

* cited by examiner

Primary Examiner—Robin Webster

(57) **CLAIM**

The ornamental design for a watering nozzle, as shown and described.

DESCRIPTION

FIG. 1 is a perspective view of a watering nozzle showing our new design;

FIG. 2 is a front elevation view thereof;

FIG. 3 is a rear elevation view thereof;

FIG. 4 is a left side view thereof;

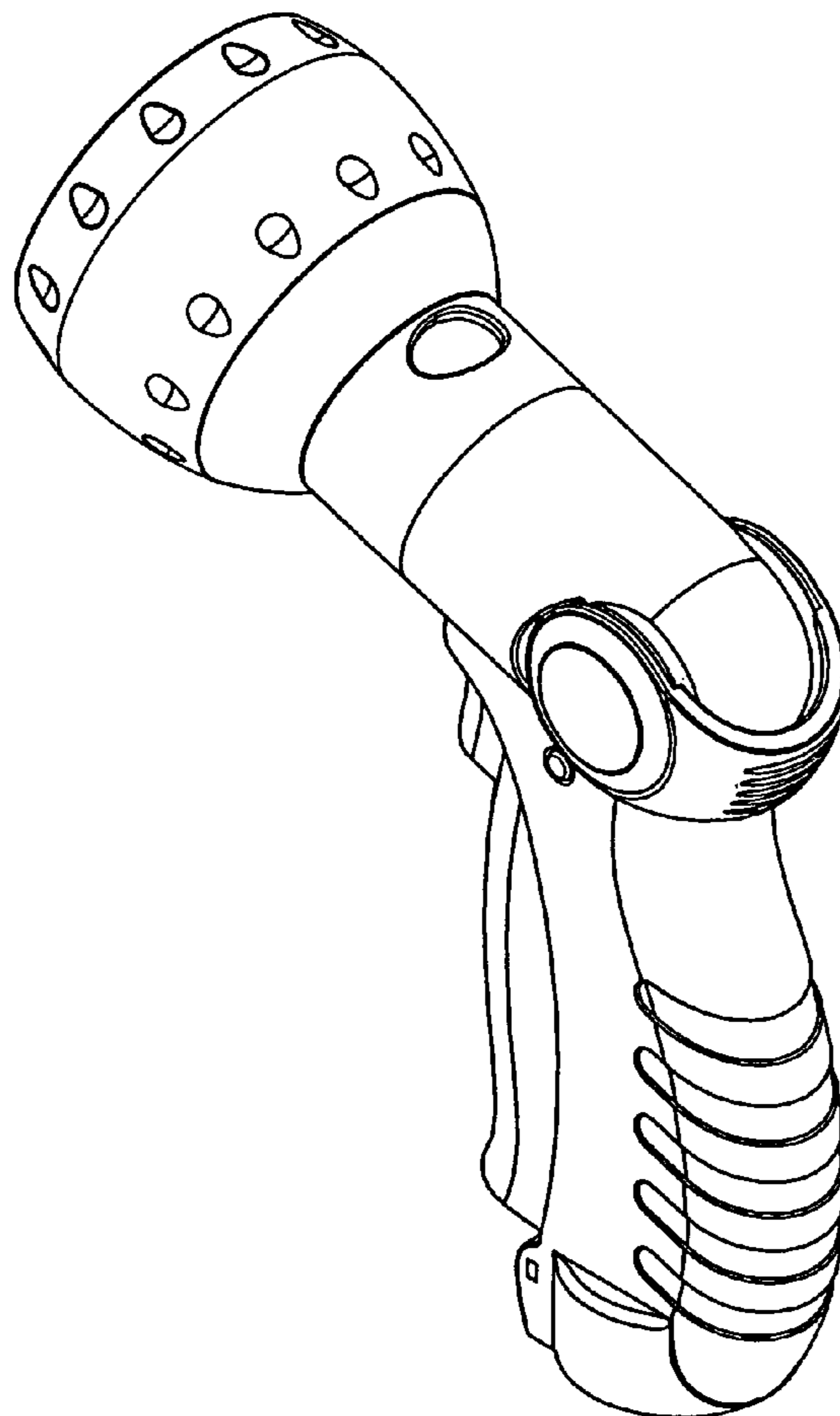
FIG. 5 is a right side view thereof;

FIG. 6 is a top plan view thereof;

FIG. 7 is a bottom plan view thereof; and,

FIG. 8 is another perspective view thereof.

1 Claim, 7 Drawing Sheets



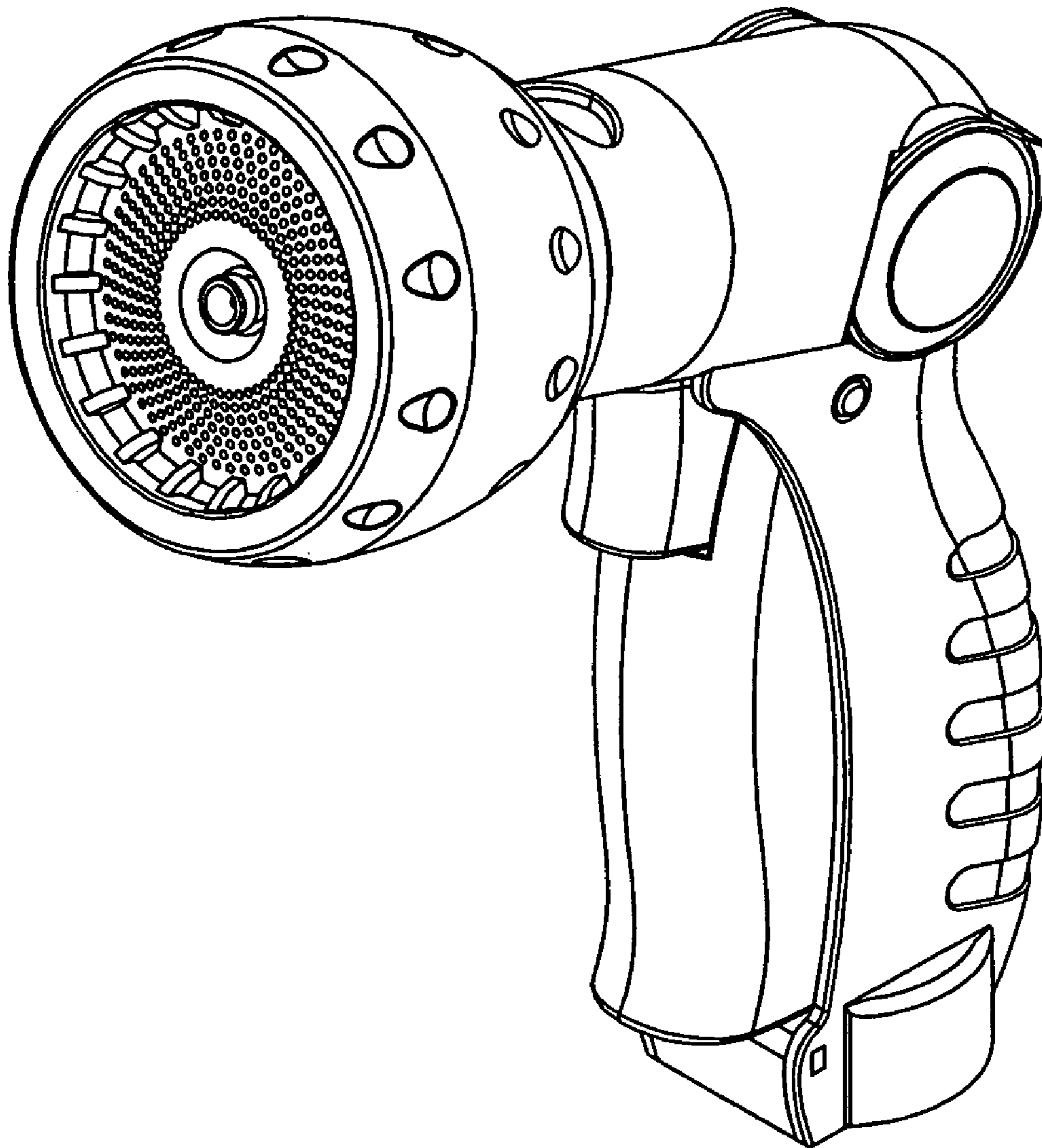


FIG 1

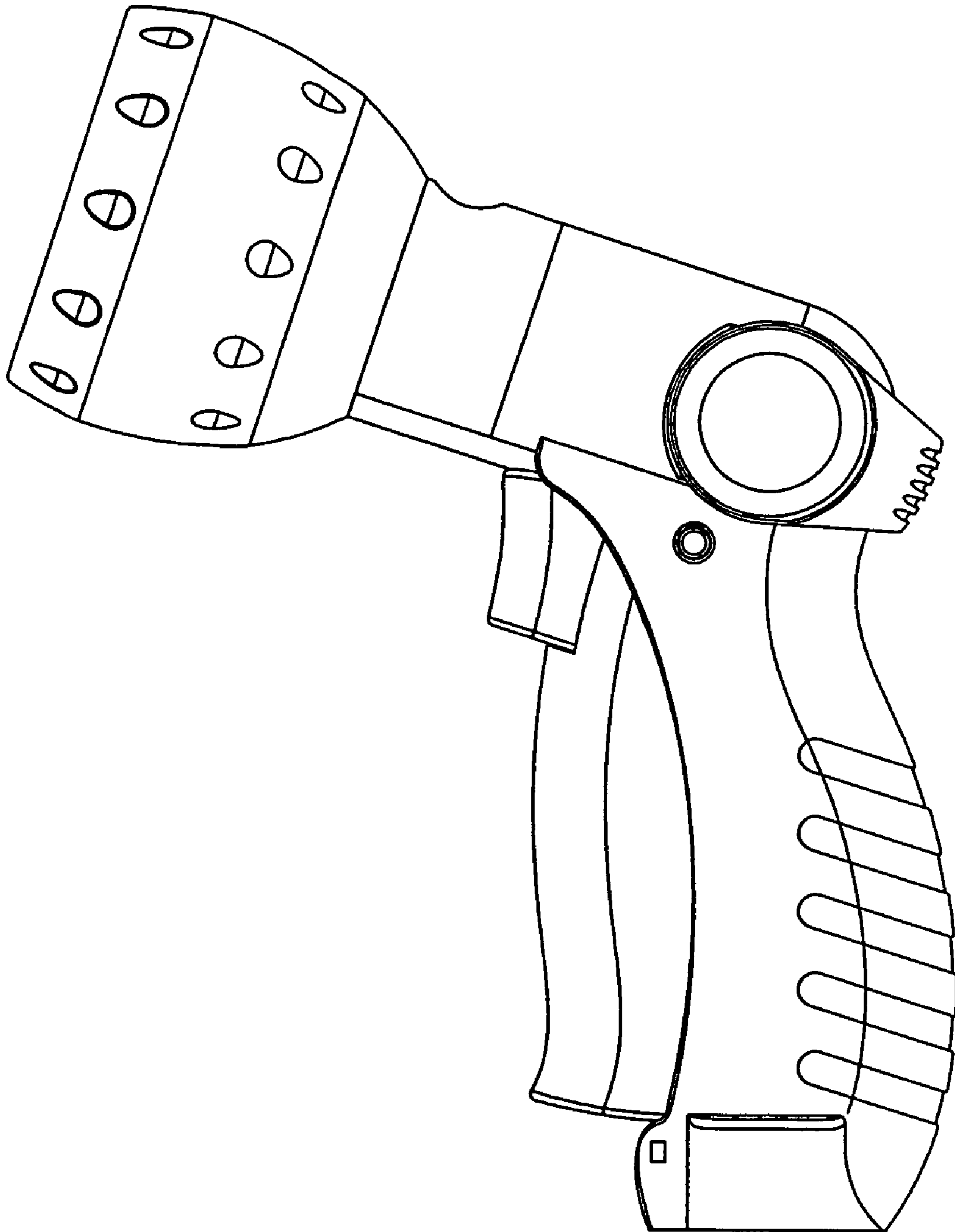


FIG 2

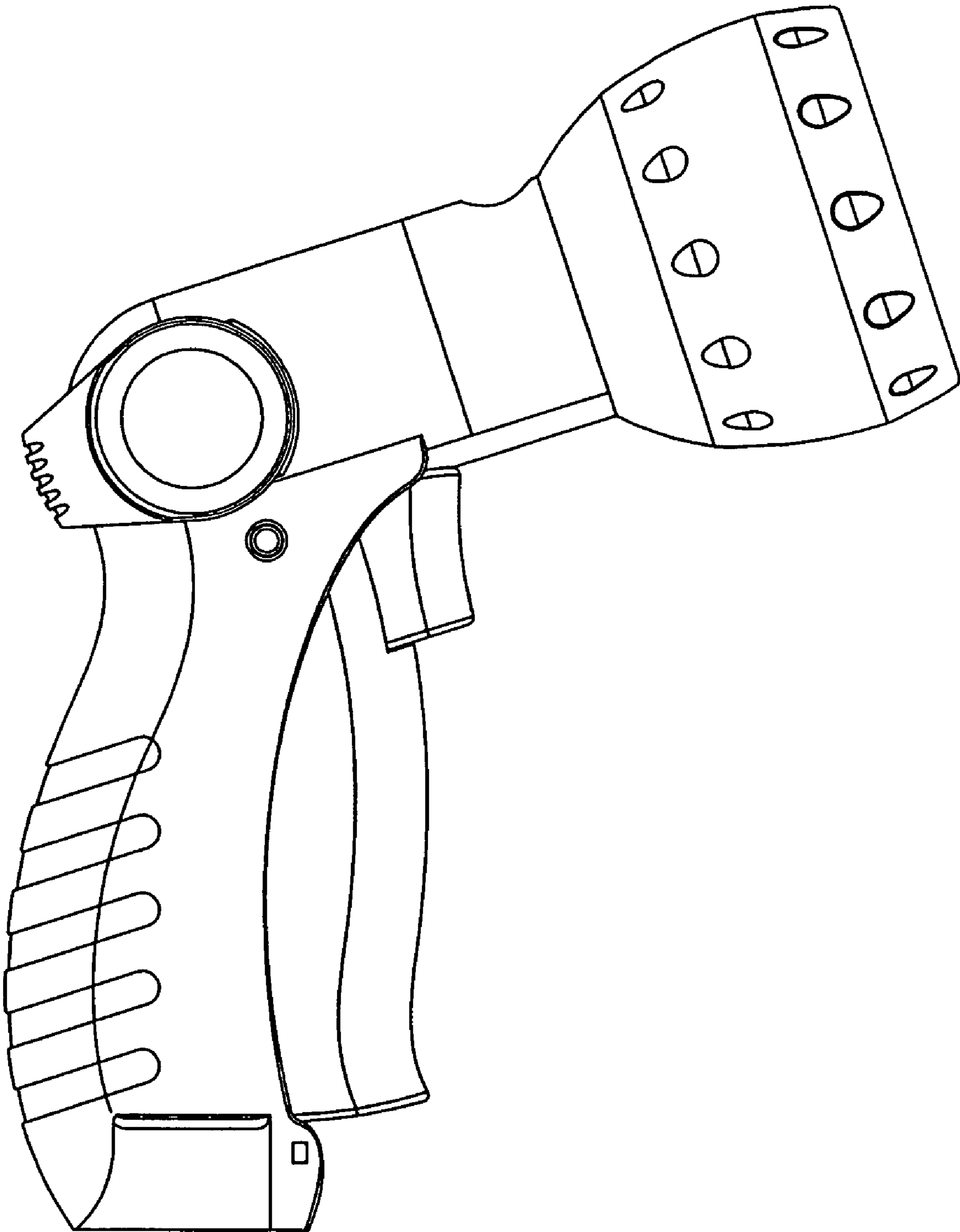


FIG 3

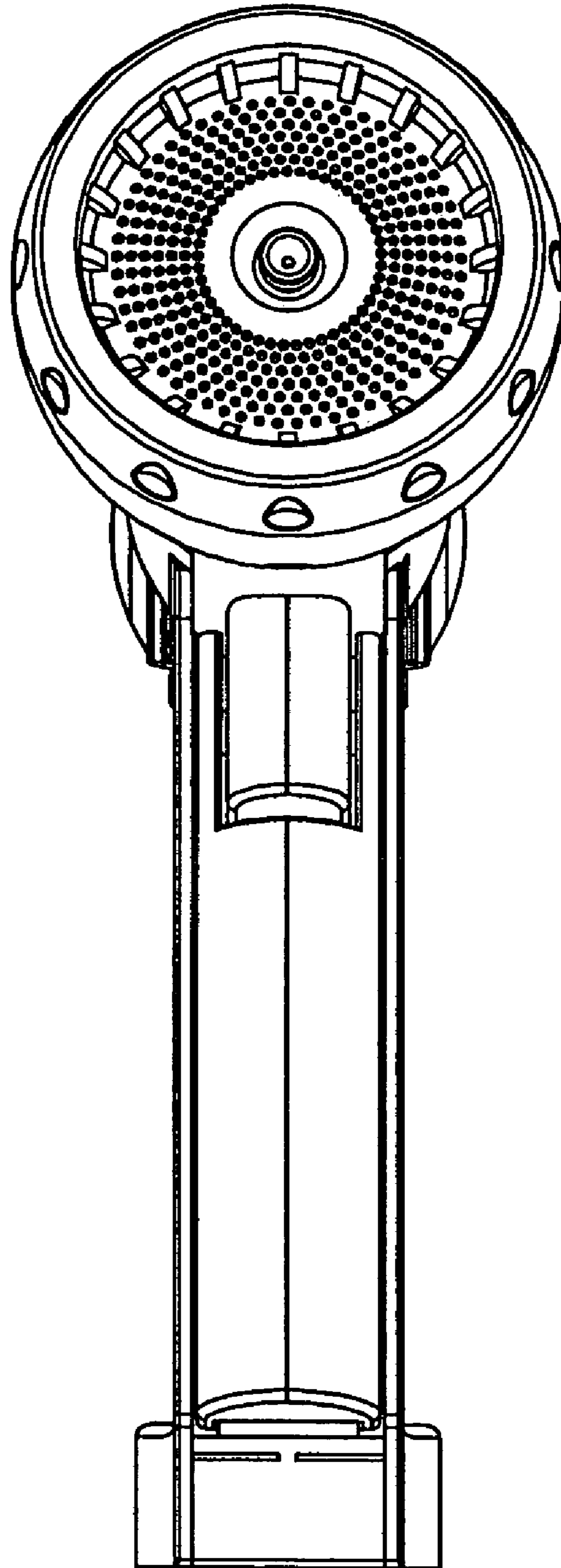


FIG 4

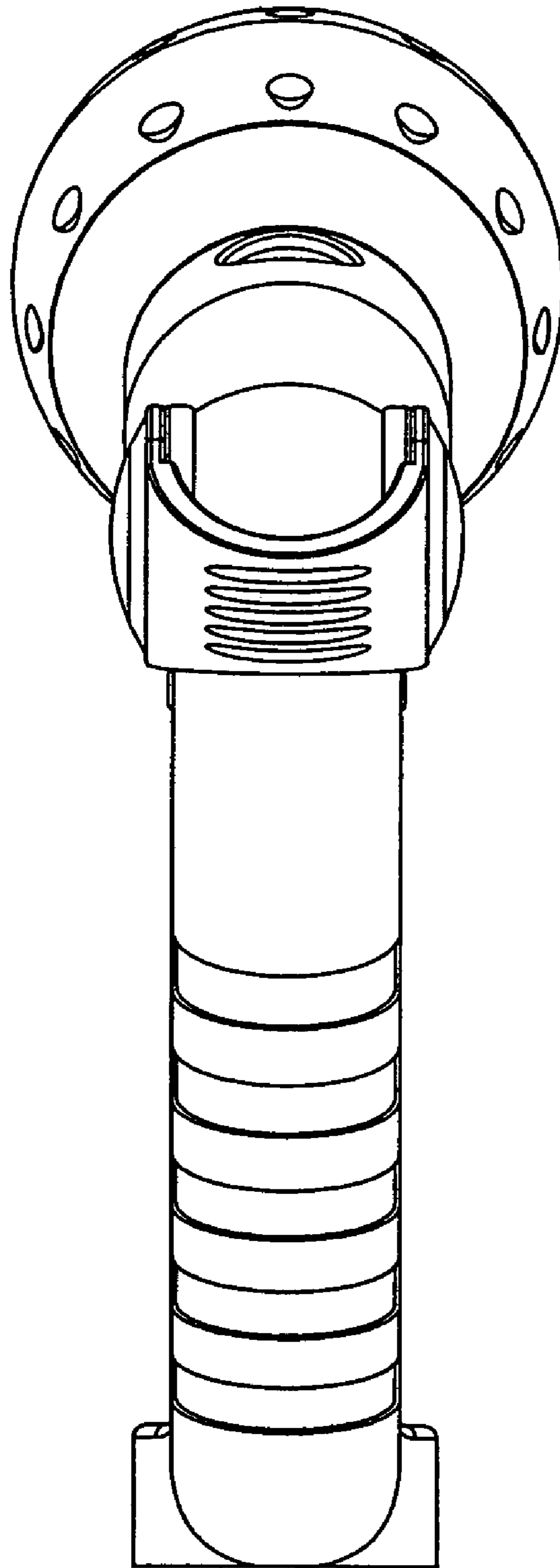


FIG 5

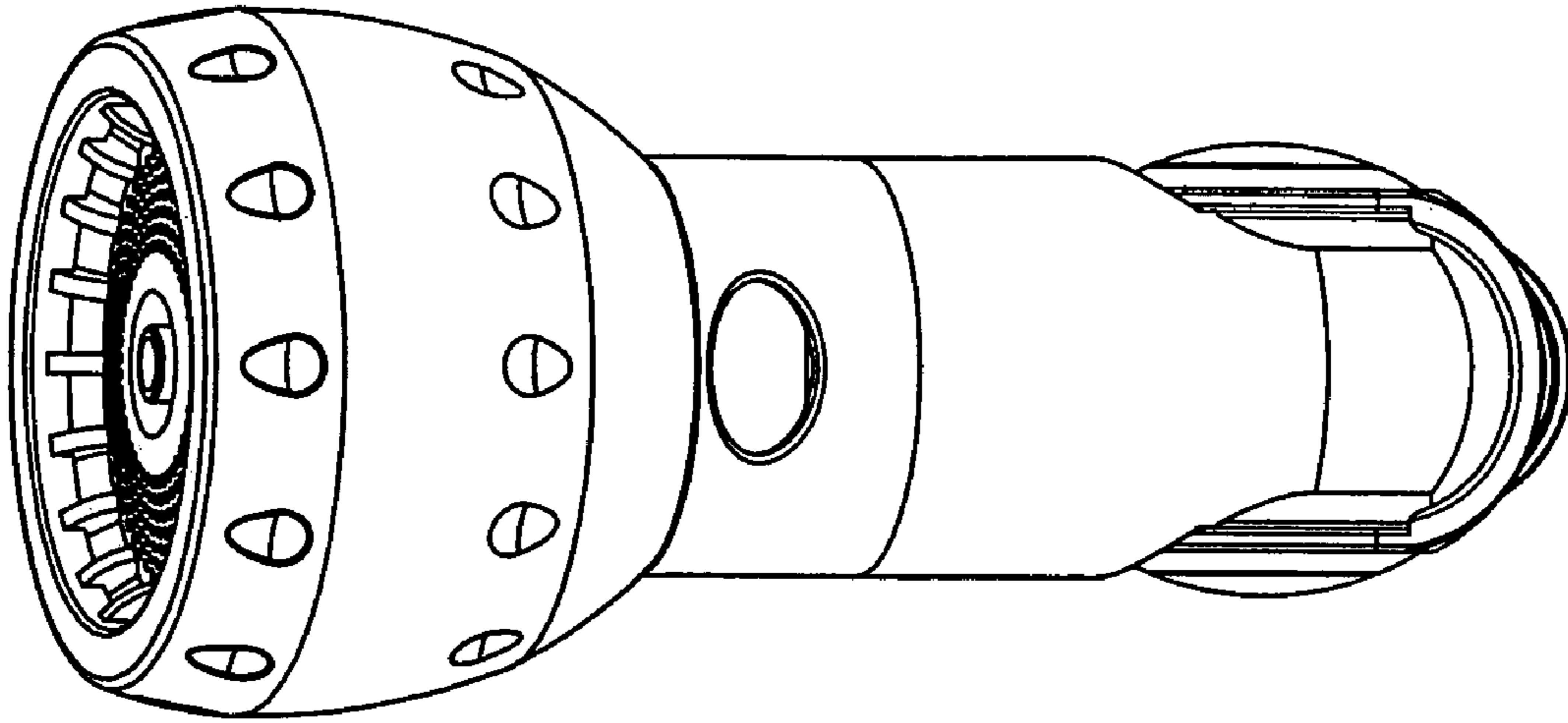


FIG 6

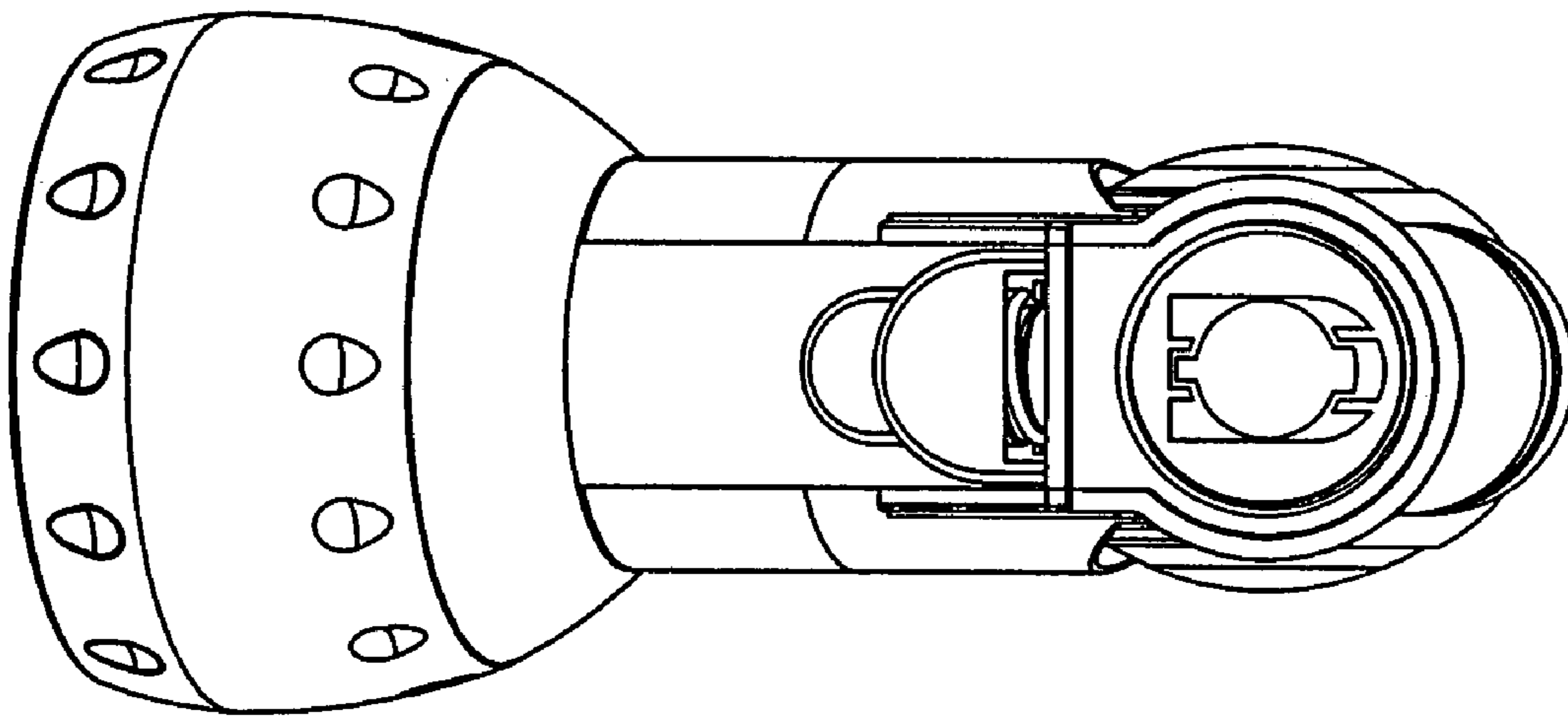


FIG 7

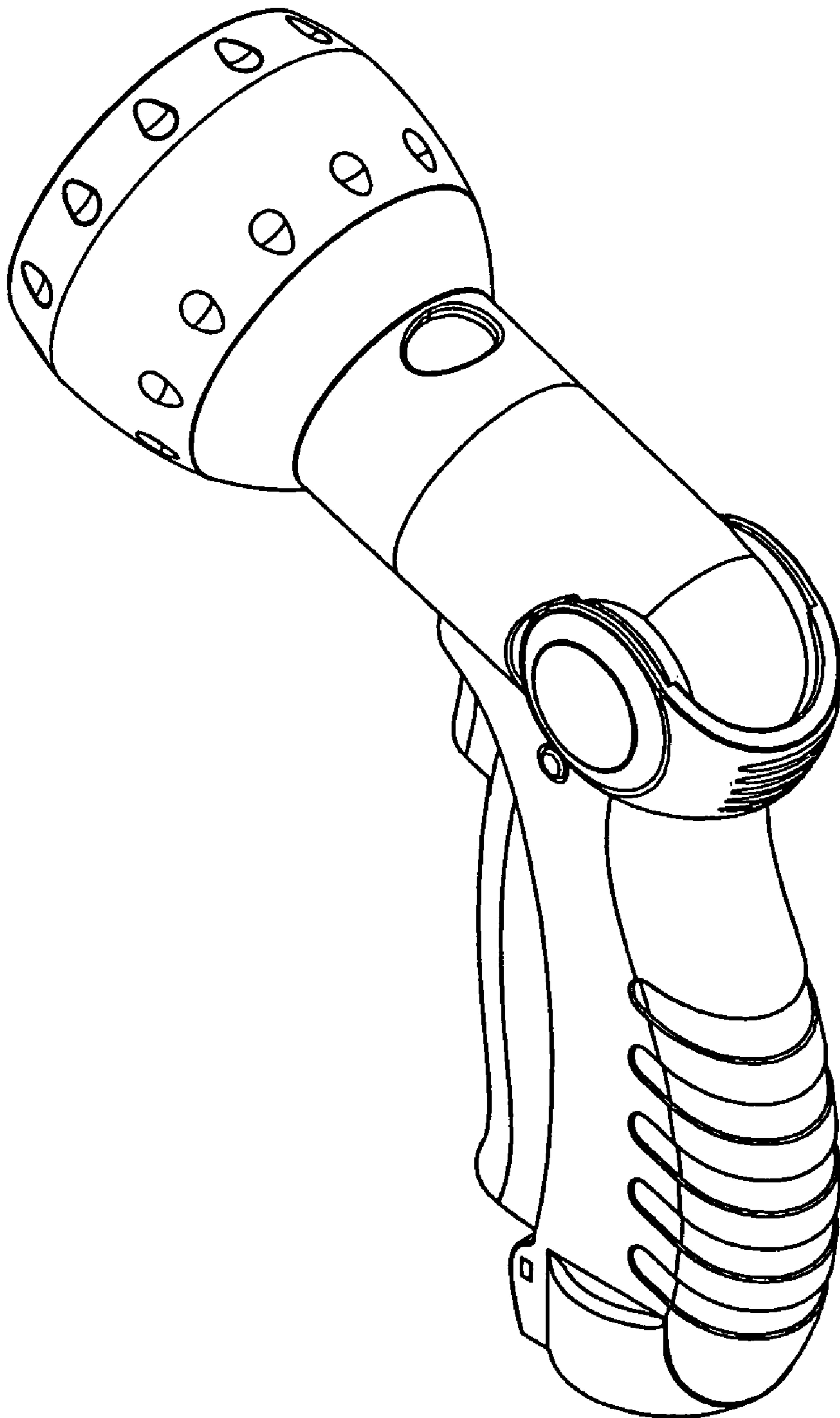


FIG 8