



US00D548388S

(12) **United States Design Patent** (10) **Patent No.:** **US D548,388 S**
Cormier et al. (45) **Date of Patent:** **** Aug. 7, 2007**

(54) **FLASHLIGHT LENS**

(75) Inventors: **James M. Cormier**, Wichita, KS (US);
Keith Vincent Skidmore, Newton, KS (US)

(73) Assignee: **The Coleman Company, Inc.**, Wichita, KS (US)

(**) Term: **14 Years**

(21) Appl. No.: **29/250,931**

(22) Filed: **Dec. 6, 2006**

Related U.S. Application Data

(62) Division of application No. 29/207,153, filed on Jun. 8, 2004.

(51) **LOC (8) Cl.** **26-99**

(52) **U.S. Cl.** **D26/120**

(58) **Field of Classification Search** D26/120,
D26/122, 113, 109, 118, 49, 46, 44, 42, 38,
D26/28, 63, 37, 43, 124, 123, 36, 39; 2/428;
D16/101; 362/394, 257, 291, 307, 308, 455
See application file for complete search history.

(56) **References Cited**

U.S. PATENT DOCUMENTS

- 1,577,352 A 3/1926 Caughlan
- D89,969 S 5/1933 Mitchell
- D104,212 S * 4/1937 Gage D26/28
- D153,216 S * 3/1949 Hansen D16/101
- 2,492,946 A 1/1950 Barber
- D204,904 S * 5/1966 Moore D26/46
- 3,539,798 A 11/1970 Perry
- 4,229,782 A 10/1980 Ruud et al.
- 4,261,030 A 4/1981 Hernandez
- 4,386,824 A 6/1983 Draper
- 4,570,205 A 2/1986 Shiojiri
- D297,372 S * 8/1988 Poon D26/44

- 4,833,578 A 5/1989 Schaller et al.
- 4,897,767 A * 1/1990 T'Jampens 362/543
- D306,769 S * 3/1990 Yuen D26/42
- D309,784 S * 8/1990 Whitley, II D26/28

(Continued)

FOREIGN PATENT DOCUMENTS

JP 06028906 2/1994

OTHER PUBLICATIONS

VistaLite™, "Headlights and Combos: Road Toad", 2pgs (2003) printed at http://www.vistalite.com/vistalite_03/03headlights.html on Mar. 10, 2004.

(Continued)

Primary Examiner—Freda S. Nunn
Assistant Examiner—Kevin K. Rudzinski
(74) *Attorney, Agent, or Firm*—Leydig, Voit & Mayer, Ltd.

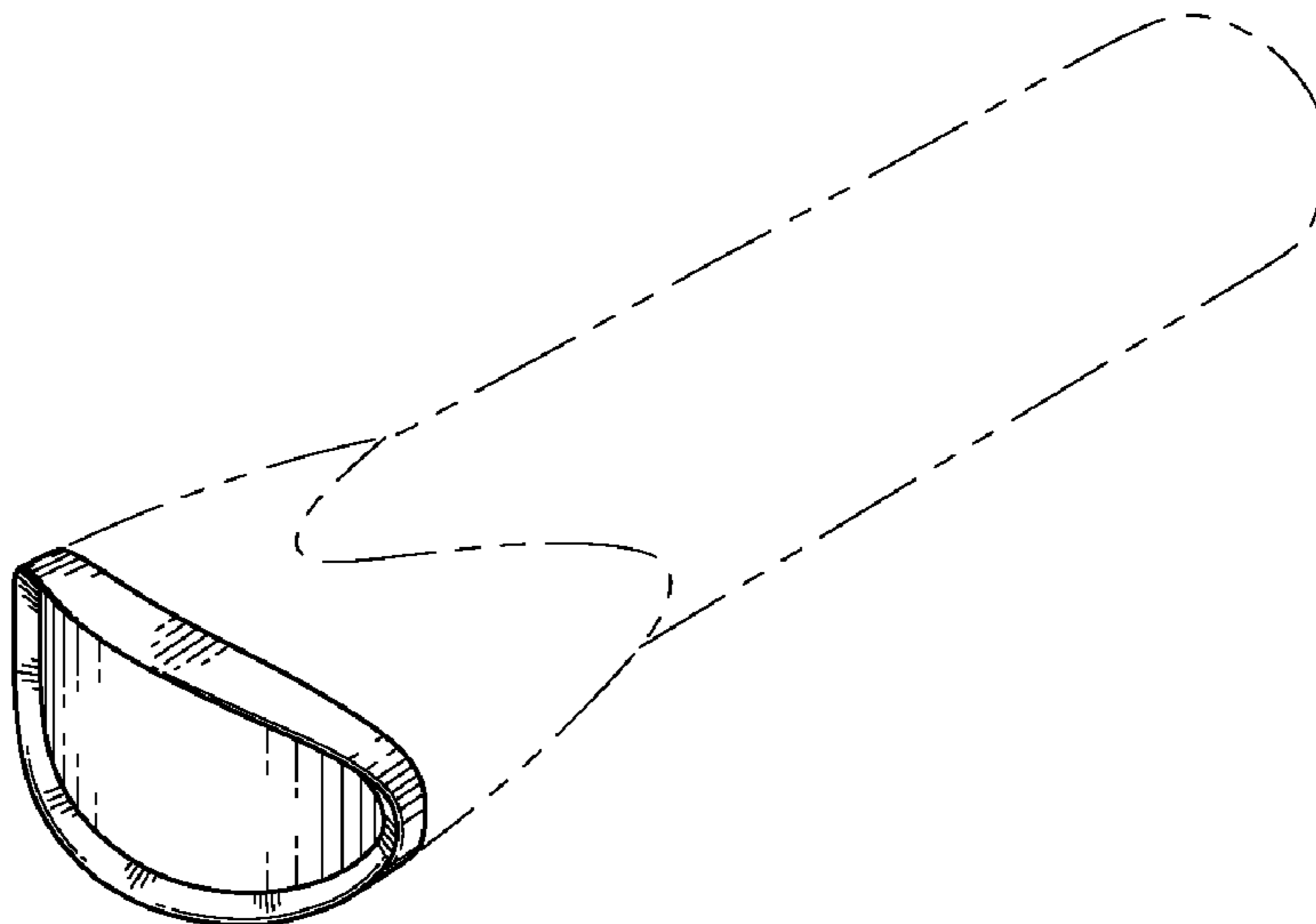
(57) **CLAIM**

The ornamental design for a flashlight lens, as shown and described.

DESCRIPTION

FIG. 1 is a top, right, front perspective view of a flashlight lens of the present invention;
FIG. 2 is a front view thereof;
FIG. 3 is a rear view thereof, the rear view consisting of nonornamental features;
FIG. 4 is a left side view thereof;
FIG. 5 is a right side view thereof;
FIG. 6 is a top view thereof; and,
FIG. 7 is a bottom view thereof.
The broken line showing is for illustrative purposes only and forms no part of the claimed design.

1 Claim, 2 Drawing Sheets



U.S. PATENT DOCUMENTS

4,953,063 A 8/1990 Nino
 4,964,025 A 10/1990 Smith
 4,992,911 A 2/1991 Ressia
 5,010,454 A * 4/1991 Hopper 362/487
 D328,144 S * 7/1992 Yuen D26/44
 D339,647 S 9/1993 Kawashima et al.
 5,271,077 A 12/1993 Brockman et al.
 5,289,356 A 2/1994 Winston
 D345,614 S * 3/1994 Whitley, II D26/28
 D345,615 S * 3/1994 Tsushi D26/28
 D346,231 S * 4/1994 Lai D26/28
 5,335,152 A 8/1994 Winston
 D351,674 S * 10/1994 Journeau et al. D26/38
 5,424,927 A 6/1995 Schaller et al.
 D359,922 S * 7/1995 Sandell D10/106
 D368,540 S * 4/1996 Santarsiero D26/43
 D371,448 S * 7/1996 Santarsiero D26/43
 D372,996 S * 8/1996 Geissler D26/42
 D373,210 S * 8/1996 Santarsiero D26/43
 D376,860 S * 12/1996 Santarsiero D26/43
 D379,542 S * 5/1997 Egashira D26/43
 5,816,693 A 10/1998 Winston et al.
 D405,551 S * 2/1999 Lynch et al. D26/37
 D414,885 S * 10/1999 Chung D26/28
 D420,458 S * 2/2000 Guercio D26/63
 6,048,084 A 4/2000 Sedovic et al.
 D425,642 S * 5/2000 Zeller D26/44

D428,173 S * 7/2000 Lynch et al. D26/42
 D428,581 S * 7/2000 Hiller et al. D10/106
 6,195,807 B1 * 3/2001 Chou 2/428
 D440,004 S * 4/2001 Cohen et al. D26/109
 D450,871 S * 11/2001 Dair et al. D26/49
 D453,580 S * 2/2002 Lynch et al. D26/46
 6,354,715 B1 3/2002 Halasz et al.
 D458,408 S * 6/2002 Ching D26/128
 D466,242 S * 11/2002 Chan D26/49
 6,488,395 B2 12/2002 Woodward
 D477,432 S * 7/2003 Parsons D26/37
 D479,351 S * 9/2003 Ashfield D26/44
 D480,824 S 10/2003 Englert et al.
 D480,825 S 10/2003 Englert et al.
 D480,826 S 10/2003 Englert et al.
 6,638,450 B2 * 10/2003 Richard 264/1.32
 D494,691 S 8/2004 Lee
 D494,694 S 8/2004 Krieger et al.
 6,769,787 B2 8/2004 Ferguson et al.
 D501,267 S 1/2005 Kung
 D507,370 S 7/2005 Marshall et al.
 D516,234 S 2/2006 Holsinger et al.

OTHER PUBLICATIONS

International Search Report by the EPO in corresponding PCT application (Jul. 11, 2005).

* cited by examiner

FIG. 1

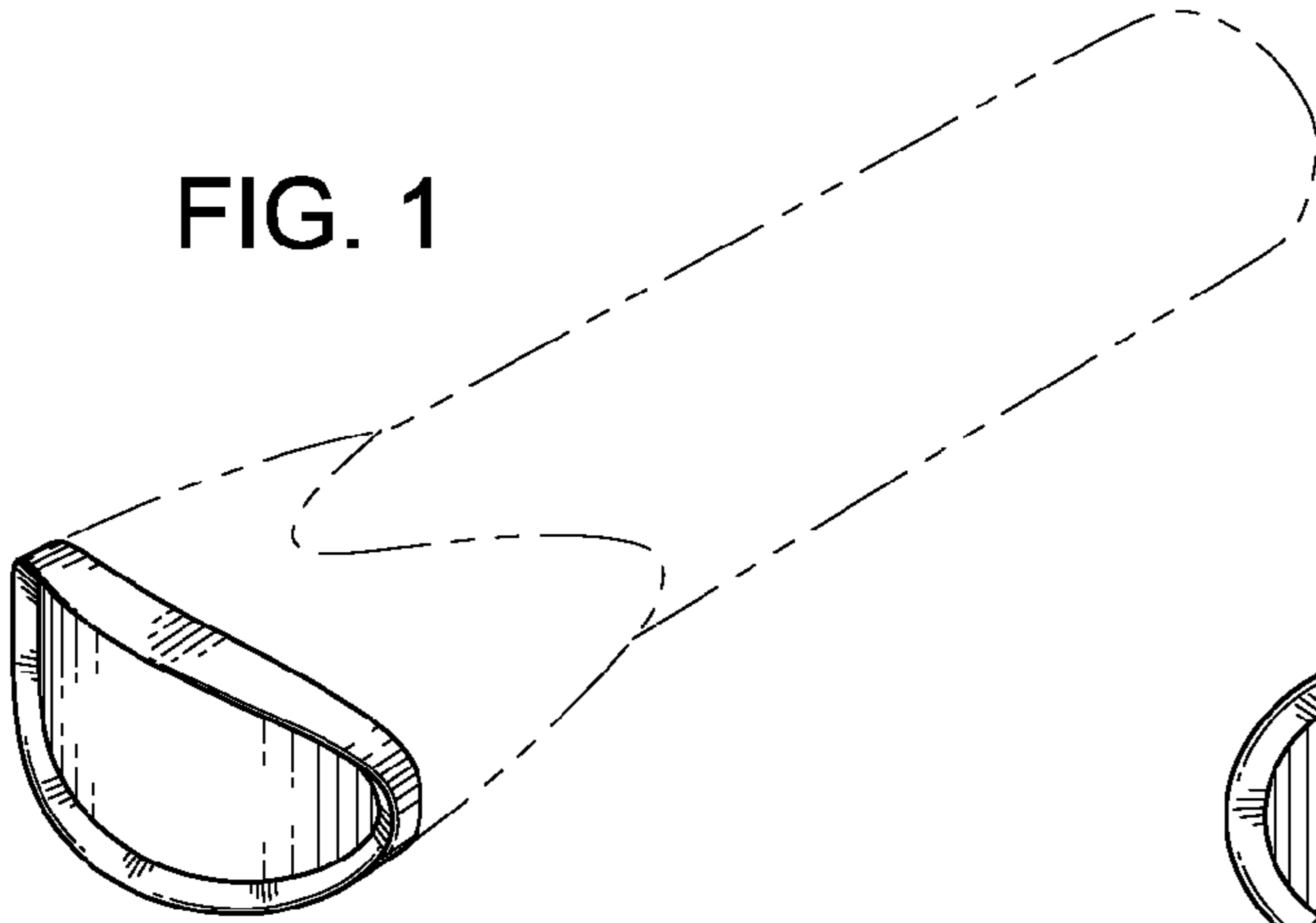


FIG. 2

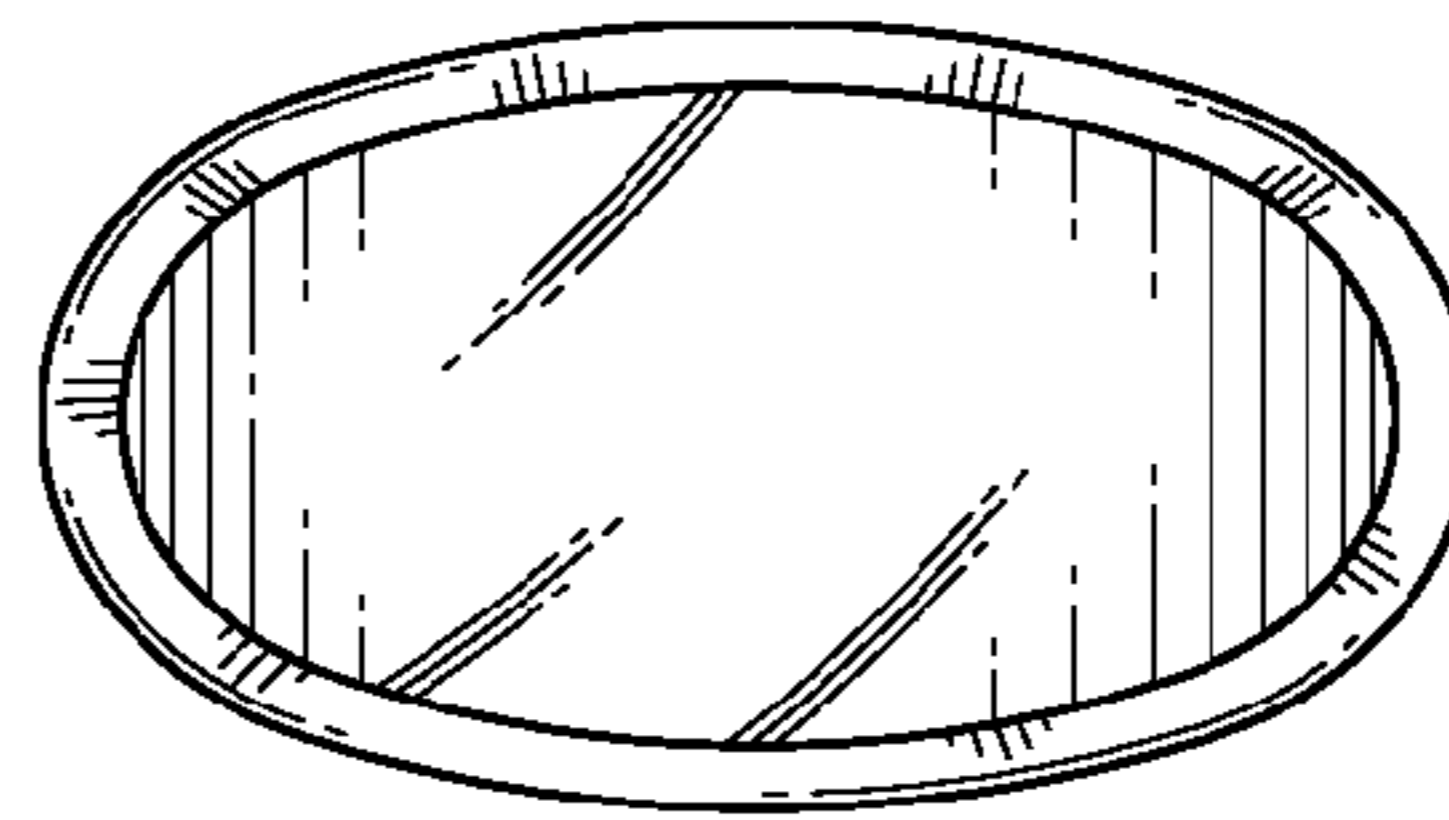


FIG. 3

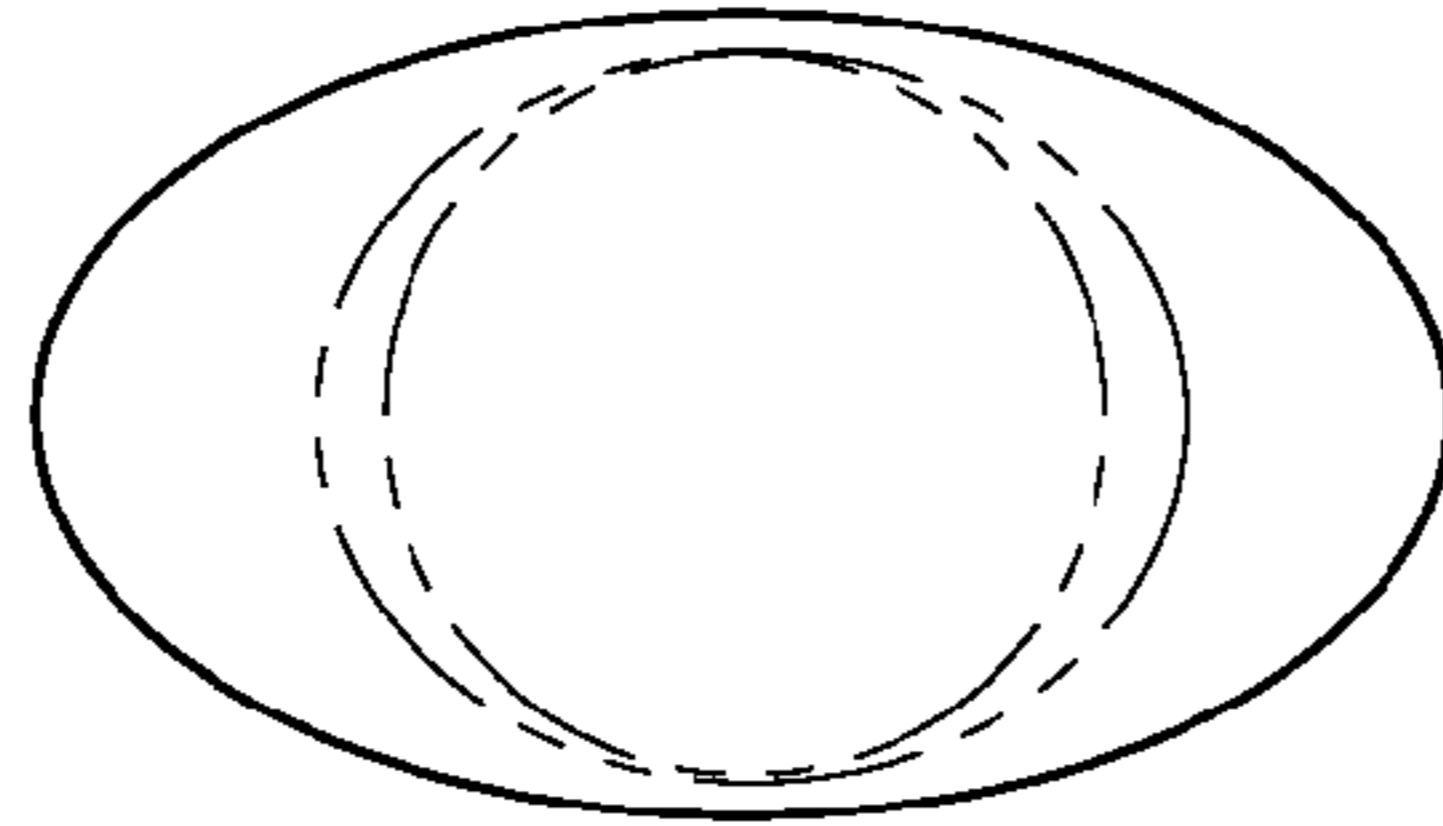


FIG. 4



FIG. 5



