



US00D548383S

(12) **United States Design Patent** (10) **Patent No.:** **US D548,383 S**
Lee (45) **Date of Patent:** **** Aug. 7, 2007**

(54) **CEILING FAN LIGHT KIT**

D530,416 S * 10/2006 Shurtleff D23/411
D532,139 S * 11/2006 Shurtleff D26/59

(75) Inventor: **Emily M. Lee**, Monterey Park, CA
(US)

* cited by examiner

(73) Assignee: **Air Cool Industrial Co., Ltd.**,
Taichung County (TW)

Primary Examiner—Lisa Lichtenstein
(74) *Attorney, Agent, or Firm*—Troxell Law Office, PLLC

(**) Term: **14 Years**

(57) **CLAIM**

(21) Appl. No.: **29/265,110**

The ornamental design for a ceiling fan light kit, as shown and described.

(22) Filed: **Aug. 25, 2006**

DESCRIPTION

(51) **LOC (8) Cl.** **26-05**

FIG. 1 is a front perspective view of a ceiling fan light kit showing my new design;

(52) **U.S. Cl.** **D26/59**

FIG. 2 is a front elevational view thereof;

(58) **Field of Classification Search** D26/59,
D26/51, 72, 80-86, 73; D23/377, 379, 385,
D23/411; 362/96; 416/5

FIG. 3 is a rear elevational view thereof.

See application file for complete search history.

FIG. 4 is a left side elevational view thereof;

FIG. 5 is a right side elevational view thereof;

(56) **References Cited**

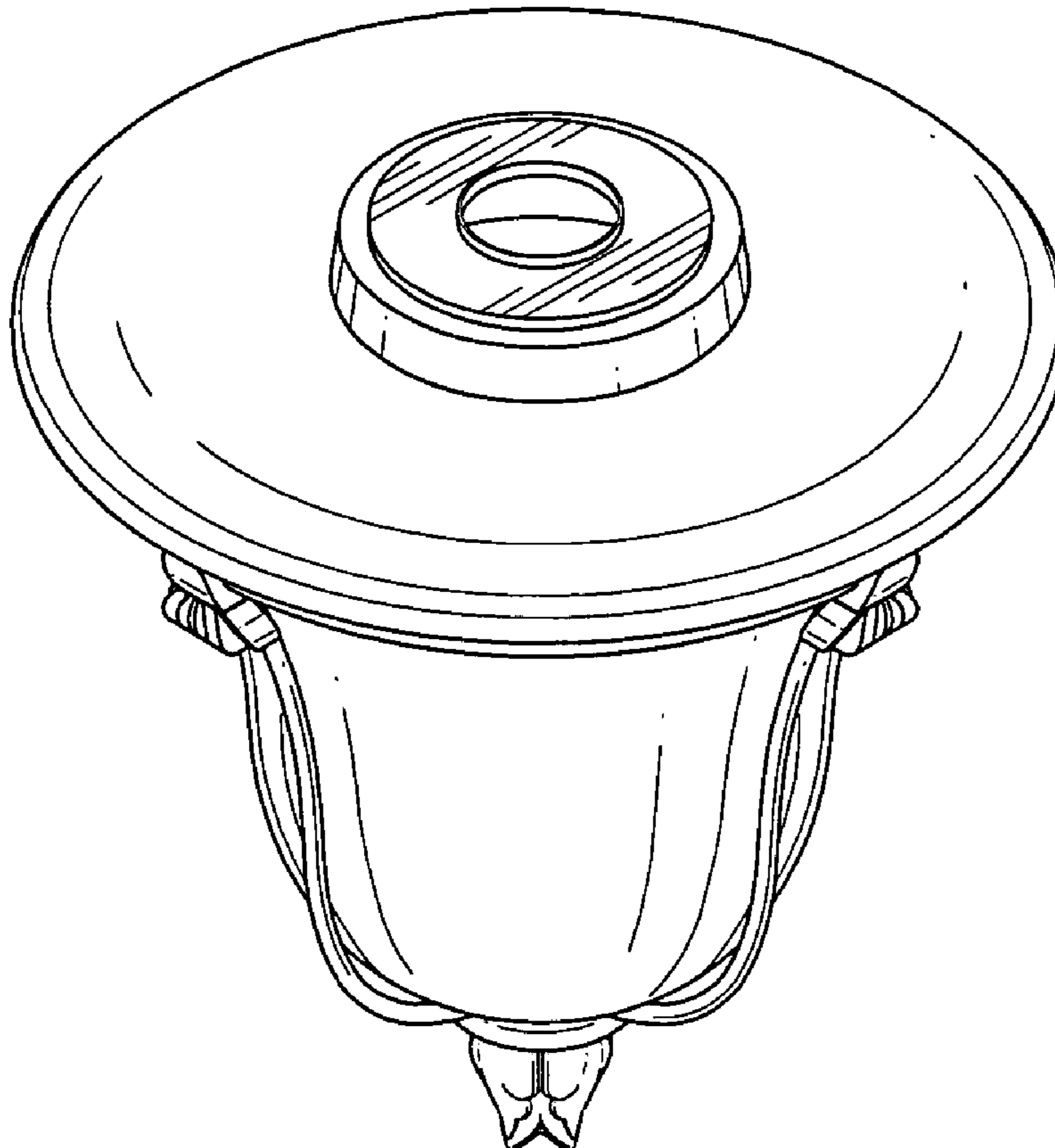
FIG. 6 is a top plan view thereof; and,

FIG. 7 is a bottom plan view thereof.

U.S. PATENT DOCUMENTS

D504,537 S * 4/2005 Graham D23/411
D529,600 S * 10/2006 Glasbrenner D23/411

1 Claim, 4 Drawing Sheets



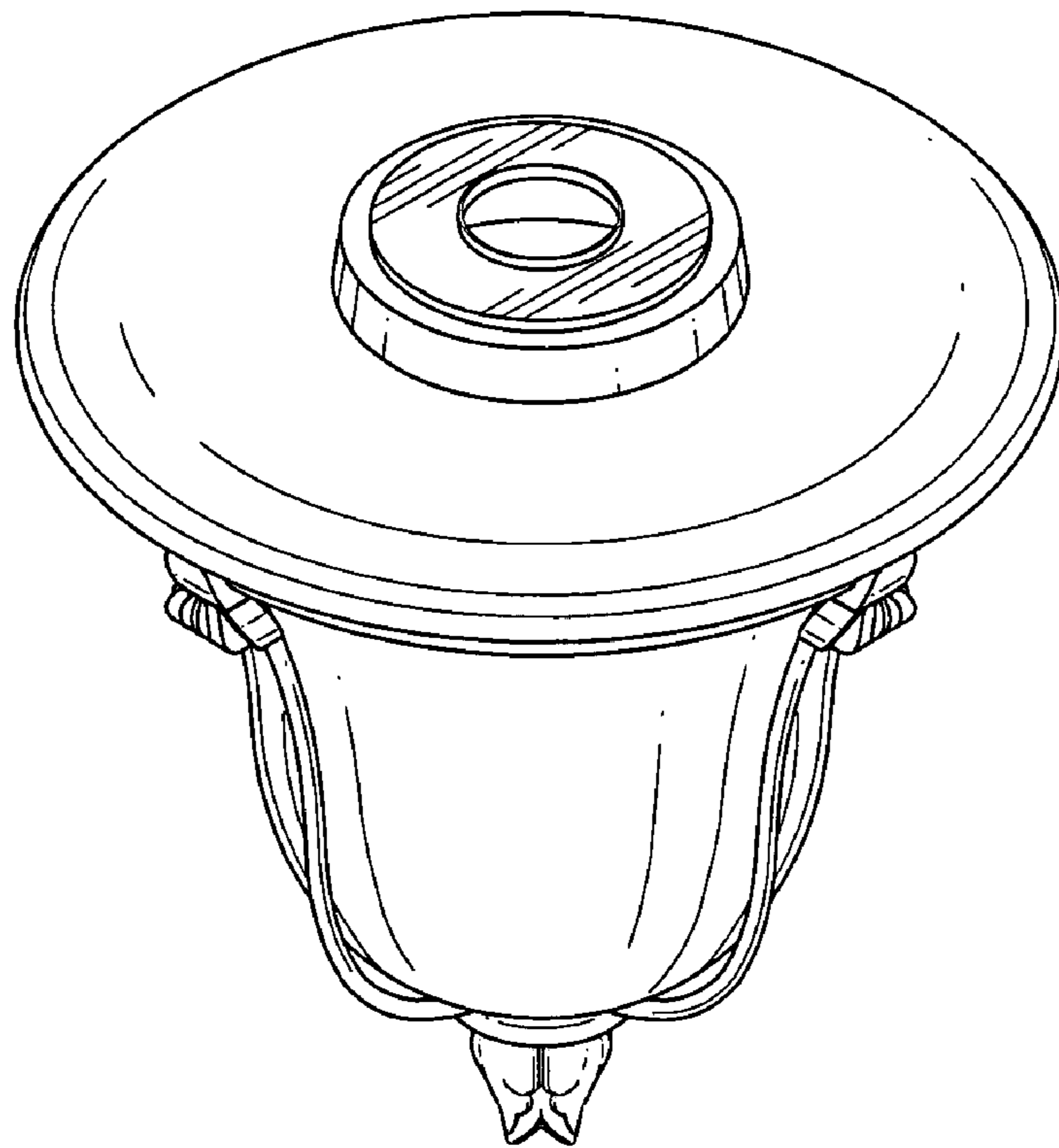


FIG. 1

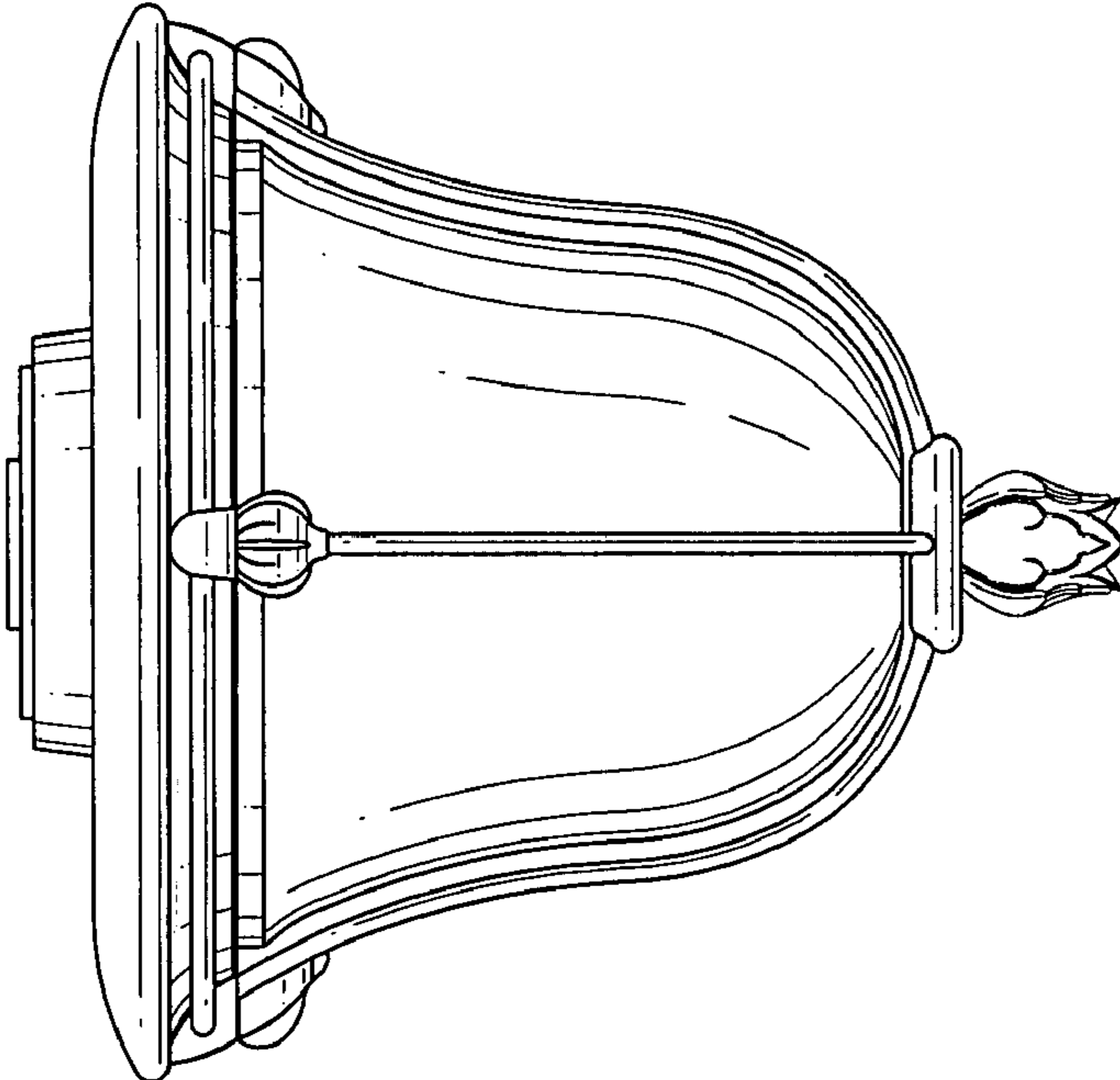


FIG. 2

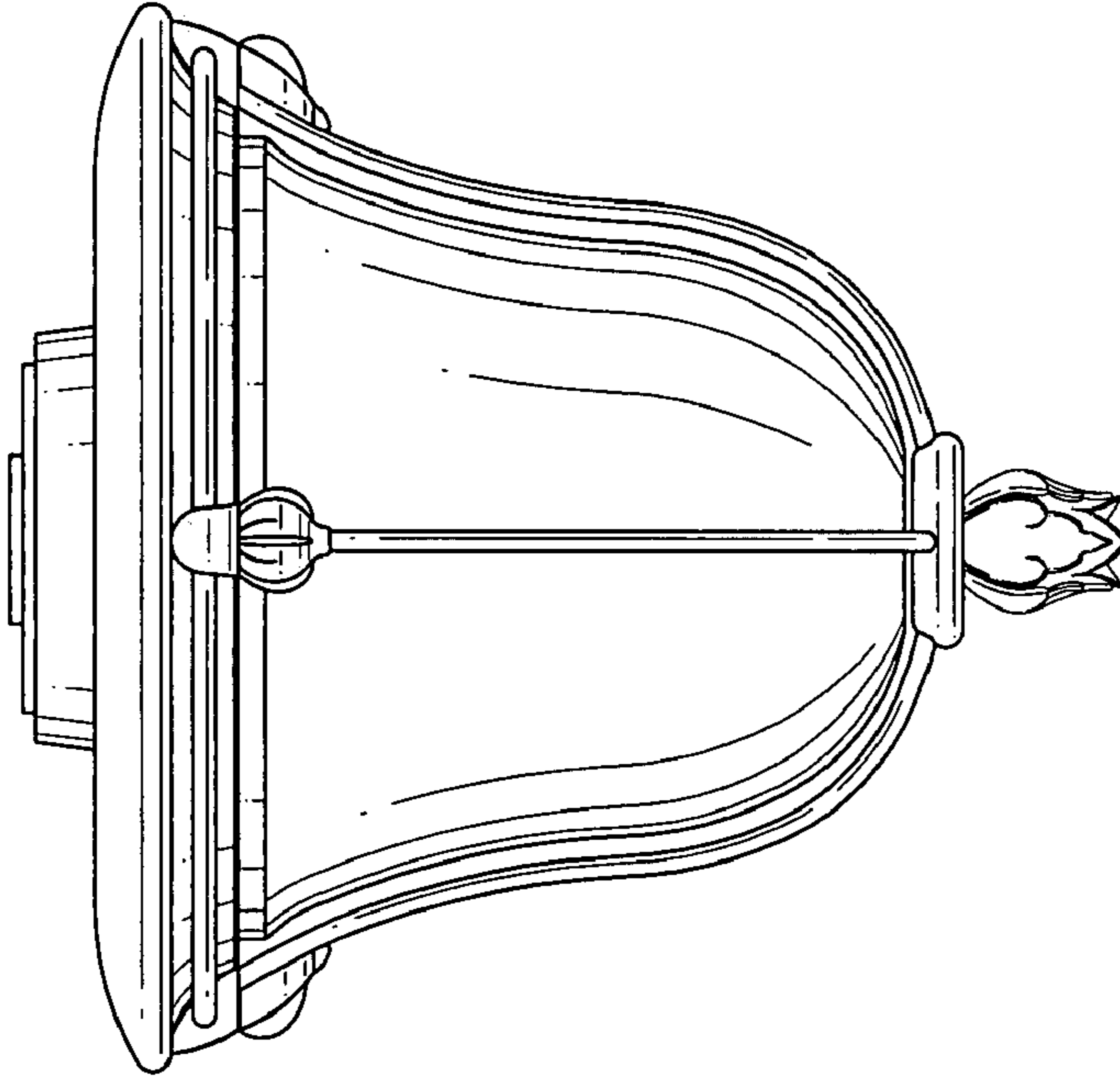


FIG. 3

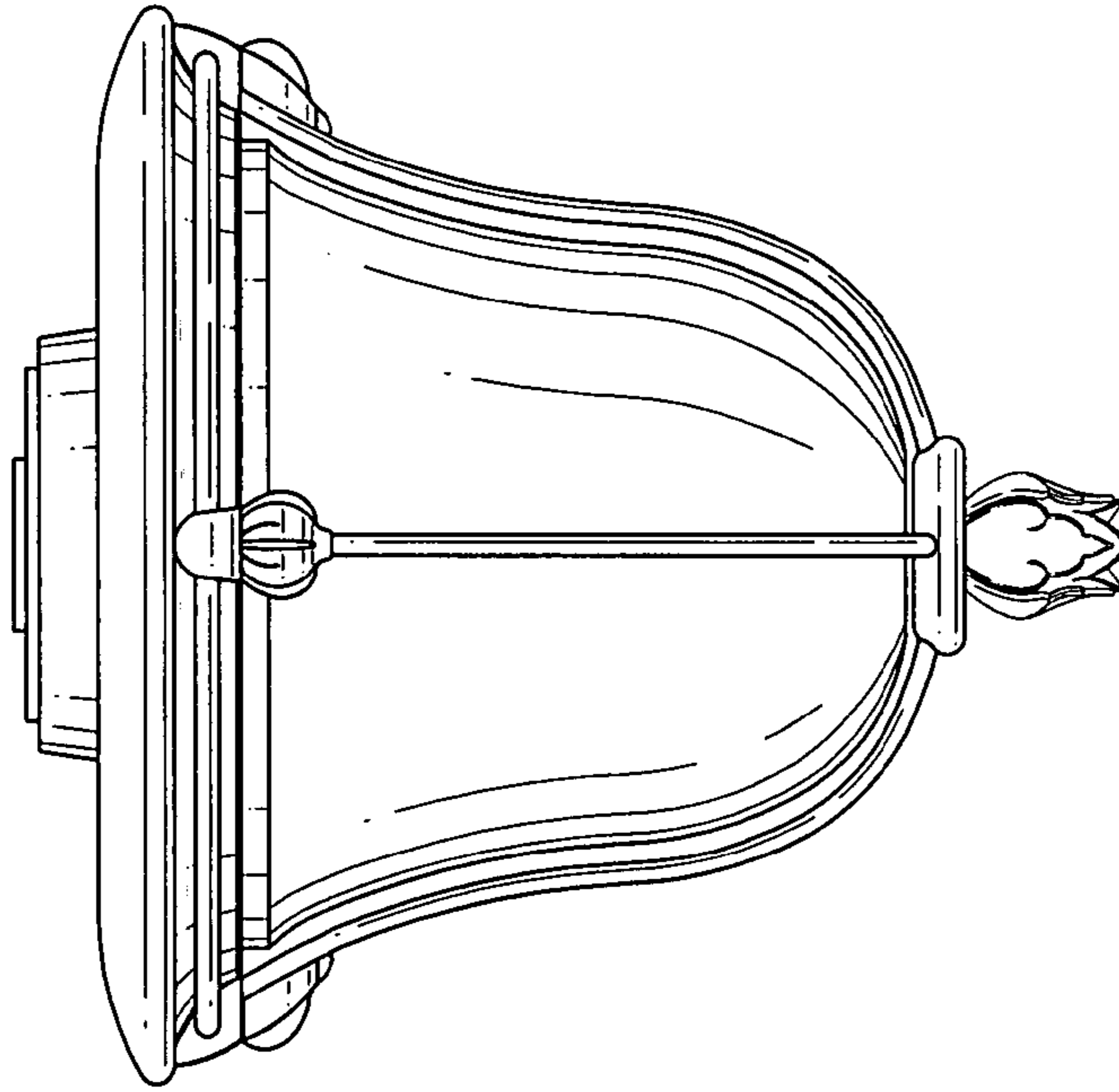


FIG. 5

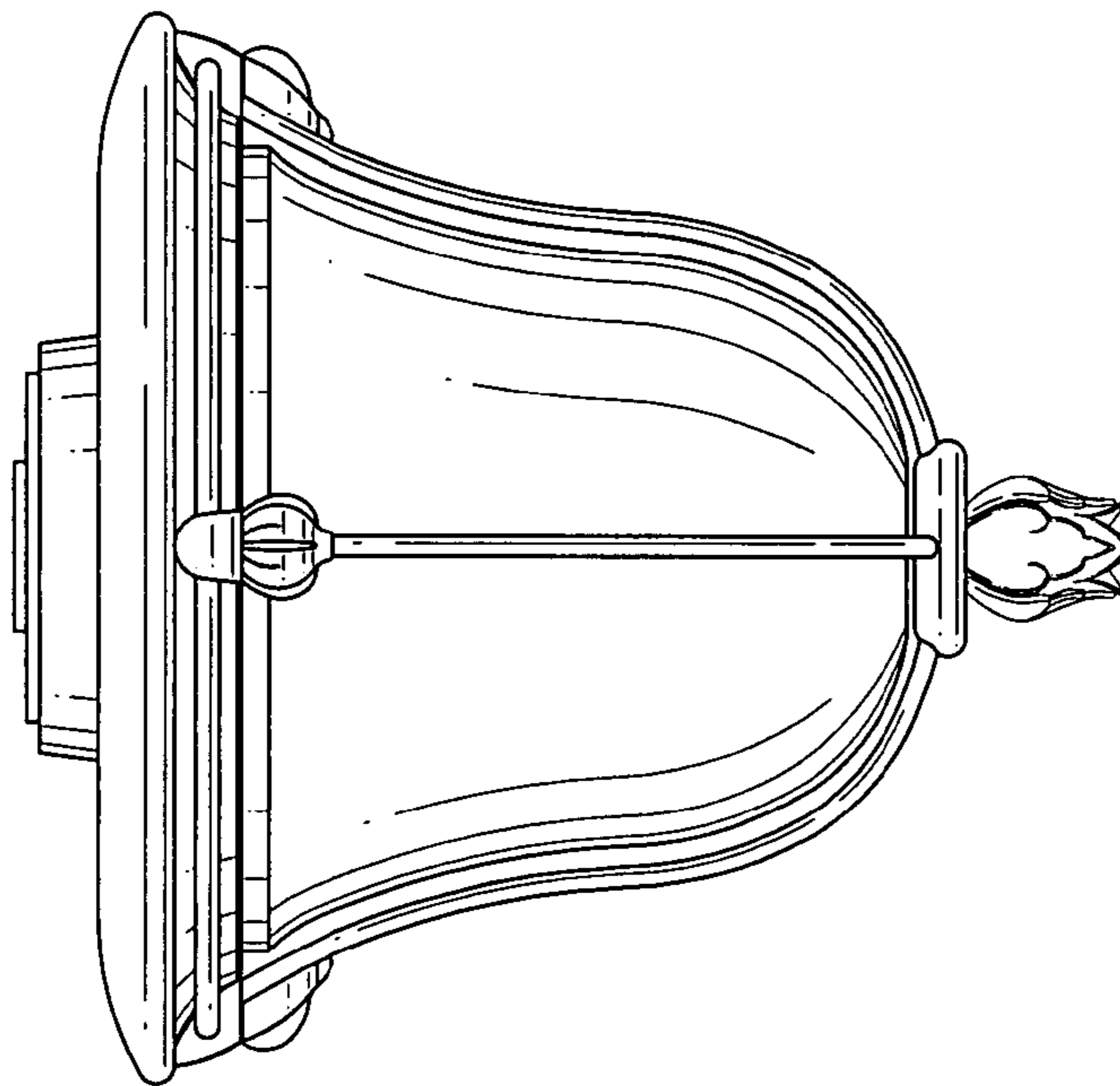


FIG. 4

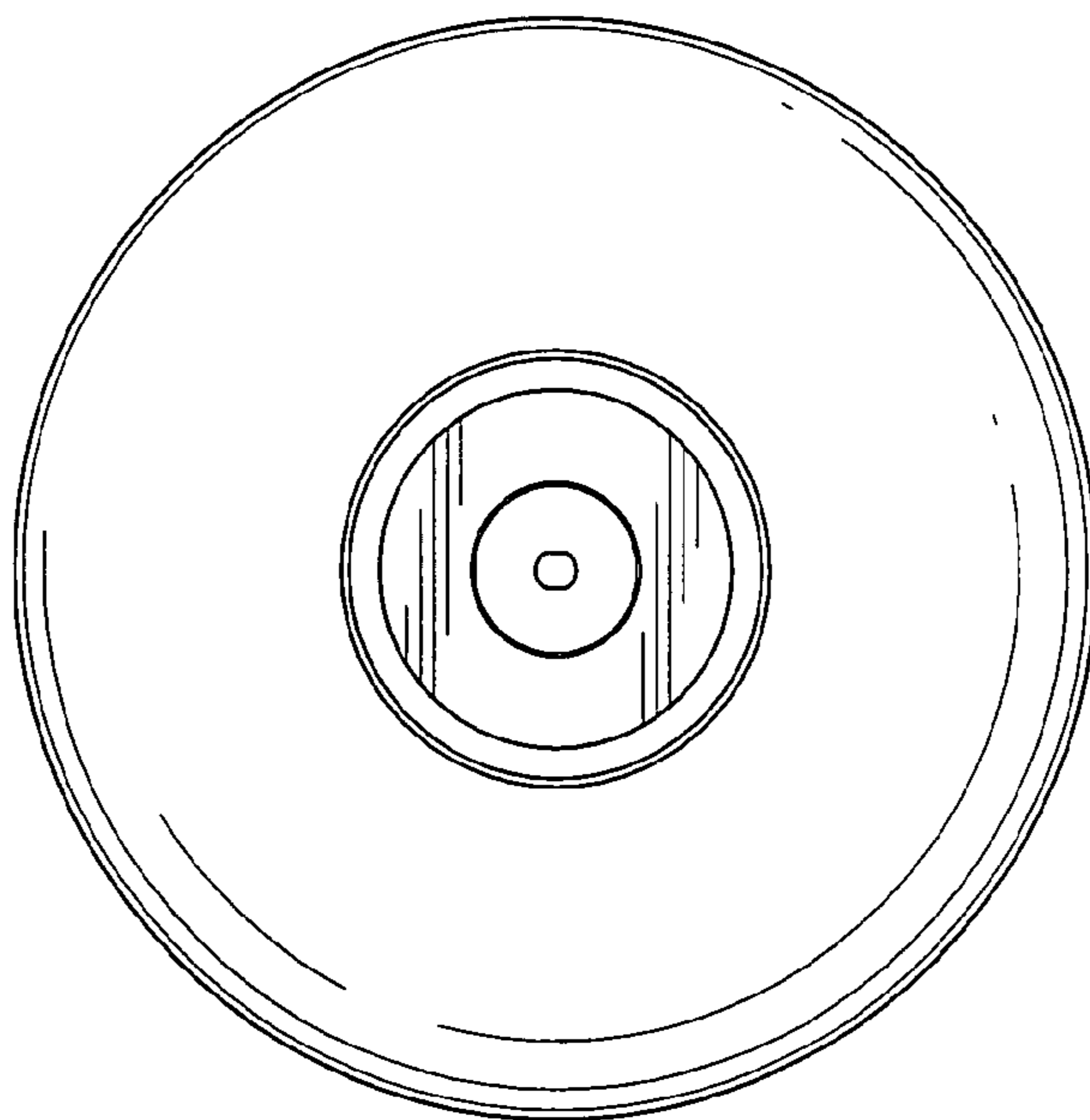


FIG. 6

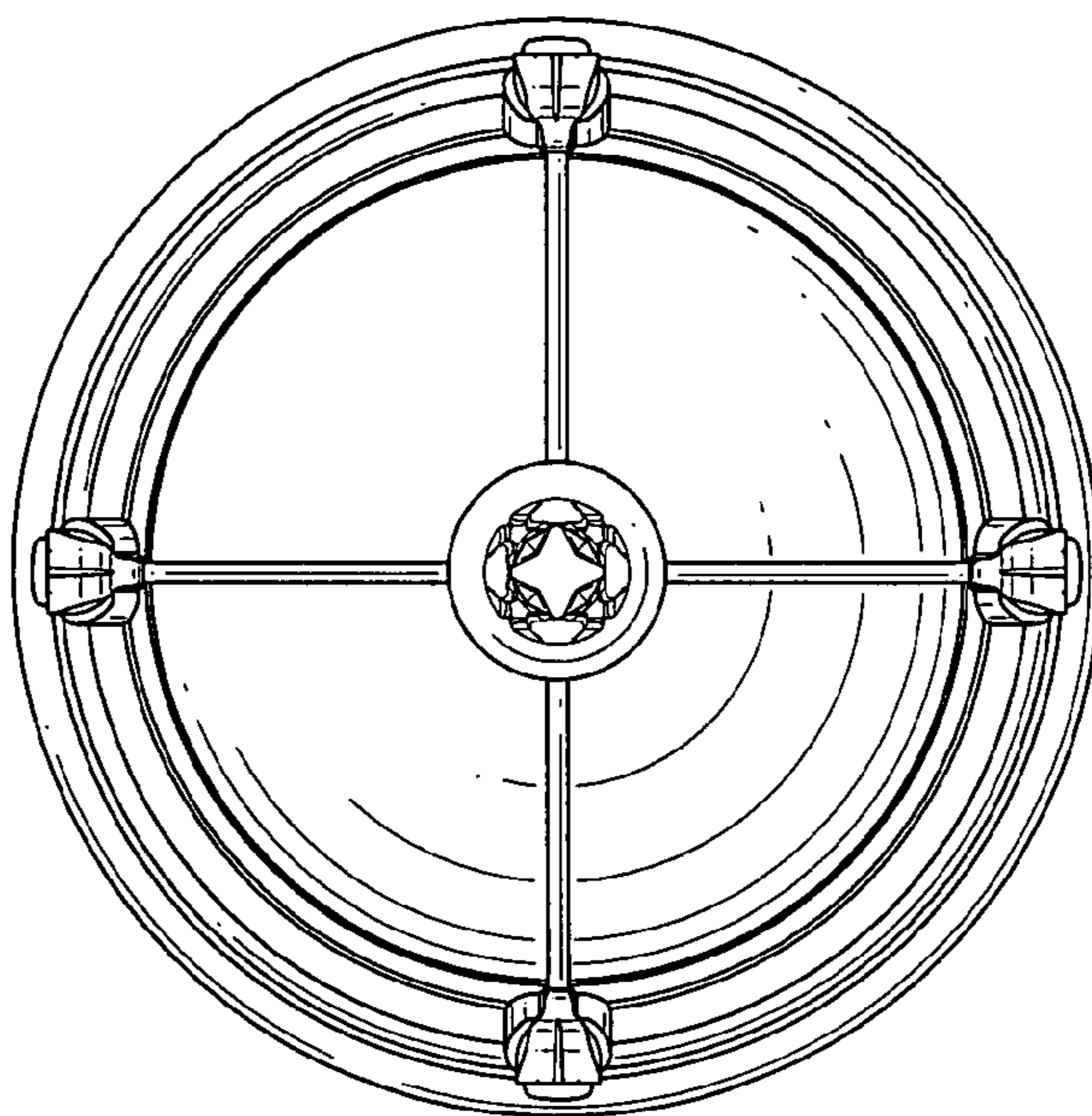


FIG. 7