

US00D548382S

(12) **United States Design Patent** (10) **Patent No.:** **US D548,382 S**
Akerberg (45) **Date of Patent:** **** Aug. 7, 2007**

(54) **WORK LIGHT**

(75) Inventor: **Jan Akerberg**, Clayton, MO (US)

(73) Assignee: **ATD Tools, Inc.**, Wentzille, MO (US)

(**) Term: **14 Years**

(21) Appl. No.: **29/246,442**

(22) Filed: **Apr. 12, 2006**

(51) **LOC (8) Cl.** **26-02**

(52) **U.S. Cl.** **D26/42**

(58) **Field of Classification Search** D26/40,
D26/44, 43, 42, 37, 50, 41, 119, 75; 362/157,
362/396, 399, 374, 375, 376, 486, 222, 220,
362/217, 223, 225, 216, 260, 183
See application file for complete search history.

(56) **References Cited**

U.S. PATENT DOCUMENTS

D322,680	S	*	12/1991	Baggio	D26/37
5,243,505	A	*	9/1993	Carr	362/275
D367,123	S	*	2/1996	Blye	D26/42
5,528,477	A	*	6/1996	Carmo	362/260
D391,655	S	*	3/1998	Hughes	D26/37
6,328,456	B1		12/2001	Mize		
D483,508	S		12/2003	Galvez		
D483,893	S		12/2003	Galvez		
6,830,360	B1		12/2004	Galvez		
D501,688	S	*	2/2005	Kovacik et al.	D26/42
D504,532	S	*	4/2005	Kovacik et al.	D26/44
D504,968	S		5/2005	Bayat et al.		
D505,217	S		5/2005	Bayat et al.		
6,976,771	B1		12/2005	Galvez		
D515,721	S	*	2/2006	Lin	D26/44
2003/0076691	A1		4/2003	Becks et al.		
2004/0218384	A1		11/2004	Newton et al.		
2004/0222947	A1		11/2004	Newton et al.		

OTHER PUBLICATIONS

Exhibit C shows a 920-30L and 5050-60L LED Light Source with a retractable cord reel, advertised in the "Professional Tool & Equipment News" dated Oct. 2005, p. 56, Alert Prolite Electronix, Bedford Heights, OH.

Exhibit D shows the tool of the month No. 5, the 5321-60 LED Light with a 50' tangle-free retractable reel as advertised in the "Professional Tool & Equipment News" dated Oct. 2005, p. 59, Astro Pneumatic, www.pten.com.

Exhibit A shows the cover sheet of a Cygnus Publication entitled "Professional Tool & Equipment News" dated Oct. 2005, vol. 1, No. 9, wherein Exhibits B through D are advertised for the AAPEX Show.

Exhibit B shows the a 30 LED Cordless Freedom-Lite and the 27 LEDs Cordless Freedom-Lite, advertised in the "Professional Tool & Equipment News" dated Oct. 2005, p. 13, UView Ultraviolet Systems Inc.

* cited by examiner

Primary Examiner—Ian Simmons

Assistant Examiner—Carissa Fitts

(74) *Attorney, Agent, or Firm*—Blackwell Sanders Peper Martin, LLP; Mark E. Stallion

(57) **CLAIM**

The ornamental design for a work light, as shown and described.

DESCRIPTION

FIG. 1 is a bottom perspective view of a work light;

FIG. 2 is a top perspective view thereof;

FIG. 3 is a left side elevational view thereof;

FIG. 4 is a front elevational view thereof;

FIG. 5 is a right side elevational view of a pen;

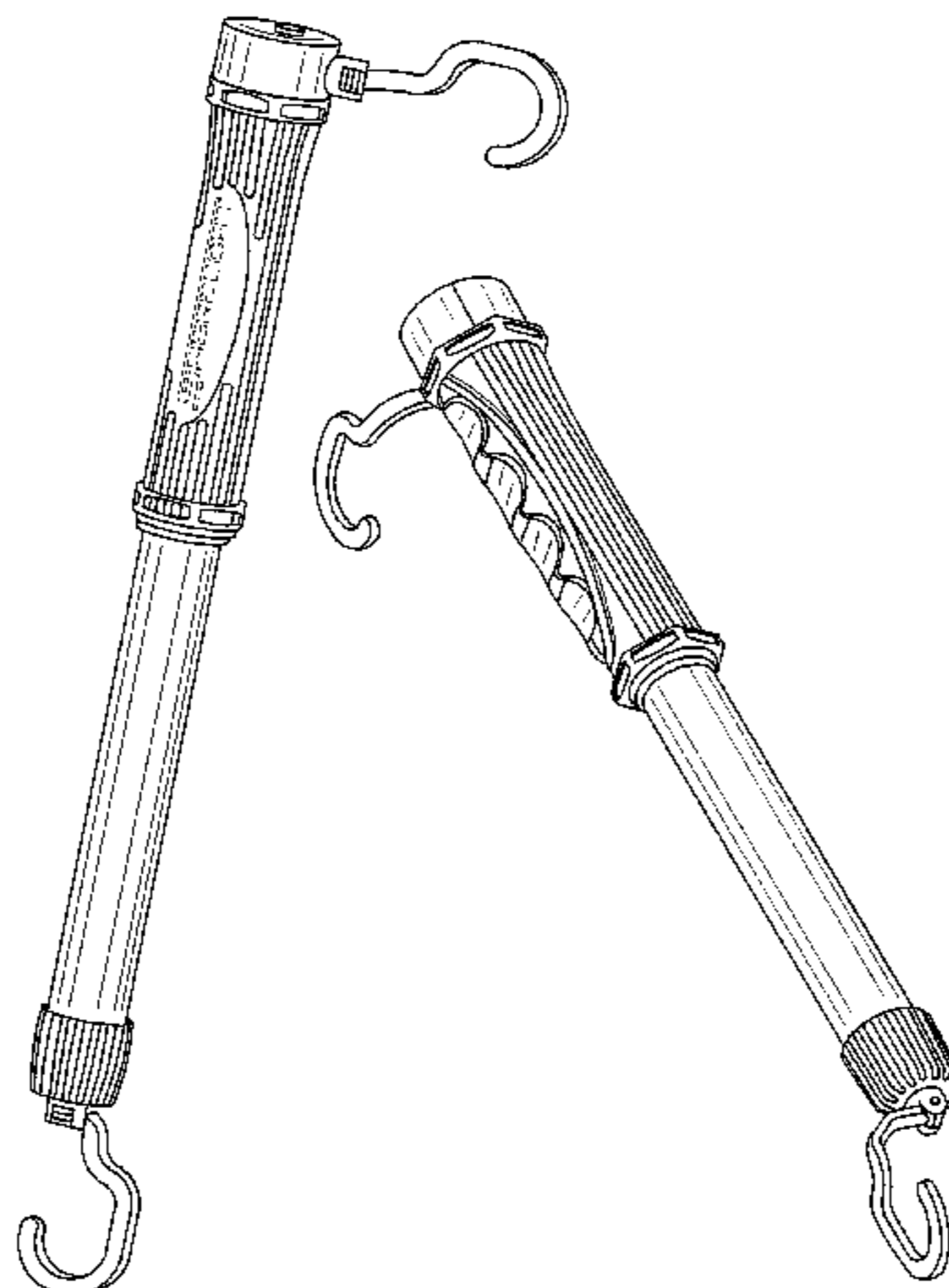
FIG. 6 is a rear elevational view thereof;

FIG. 7 is a top plan view thereof; and,

FIG. 8 is a bottom plan view thereof.

The broken line showing is for illustrative purposes only and forms no part of the claimed design.

1 Claim, 3 Drawing Sheets



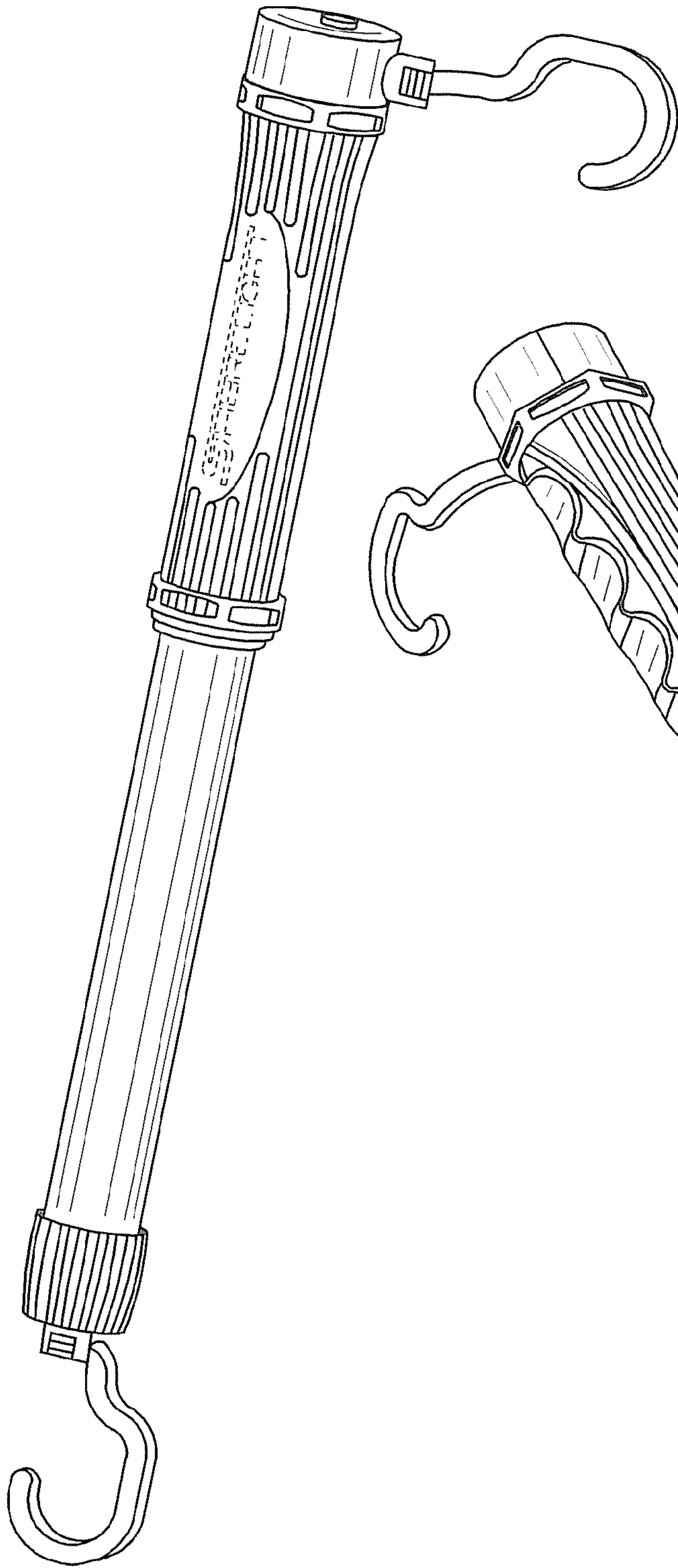


FIG. 1

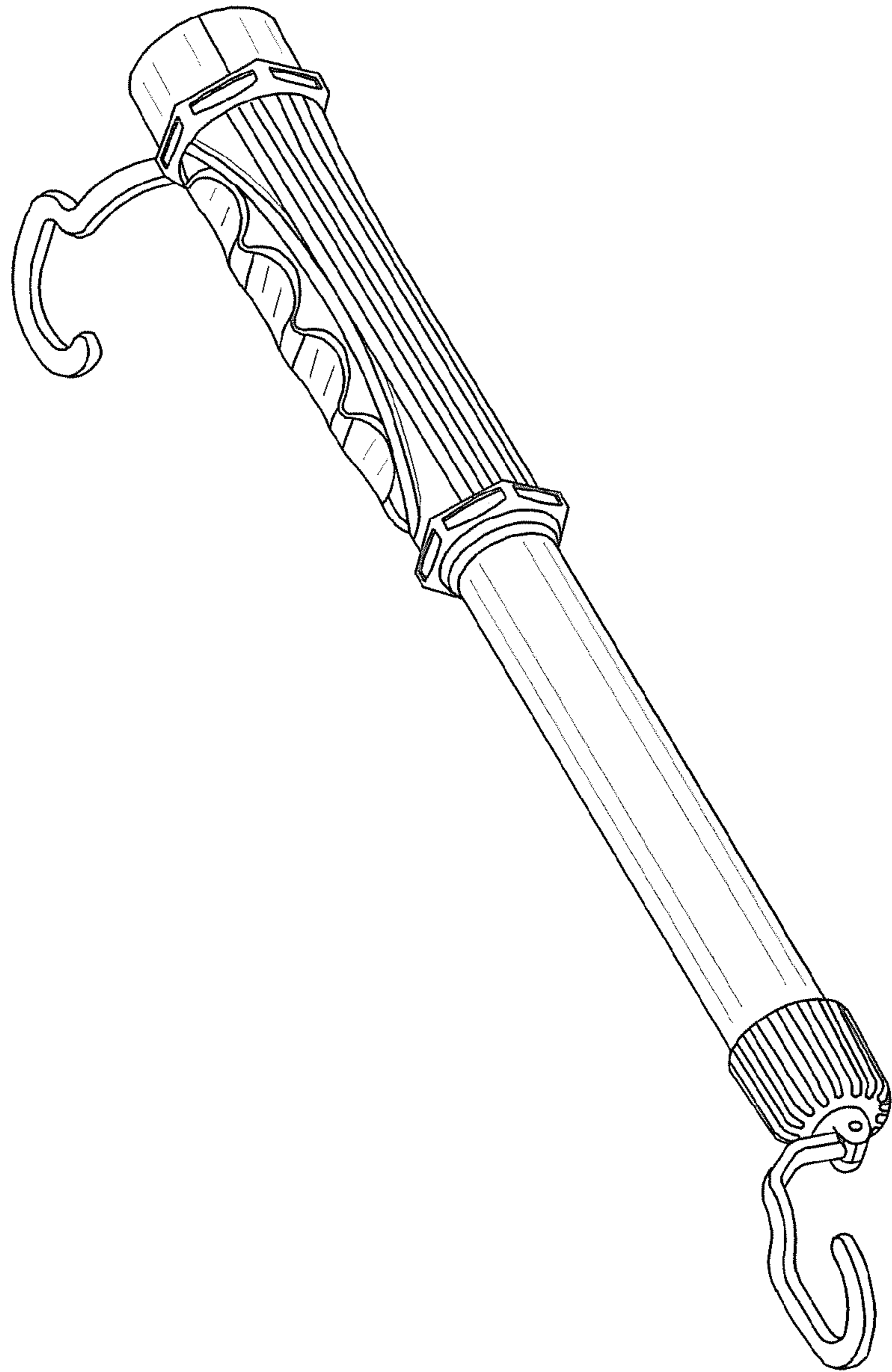


FIG. 2

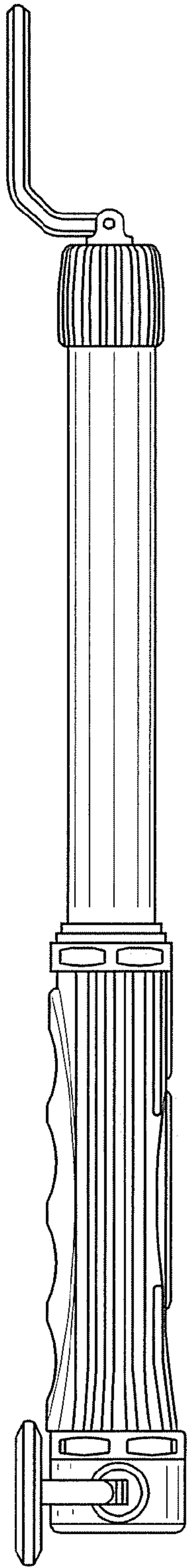


FIG. 3

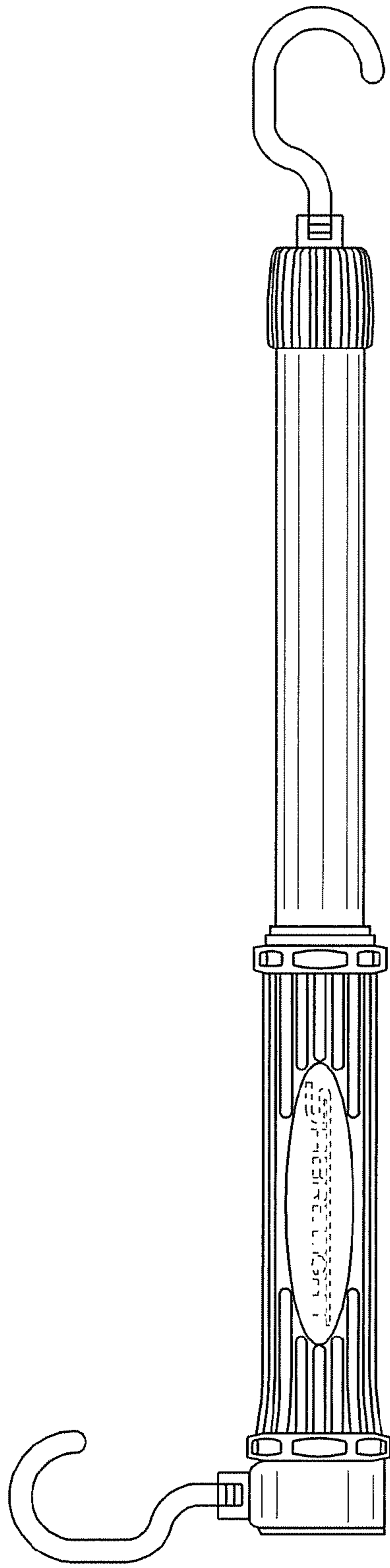


FIG. 4

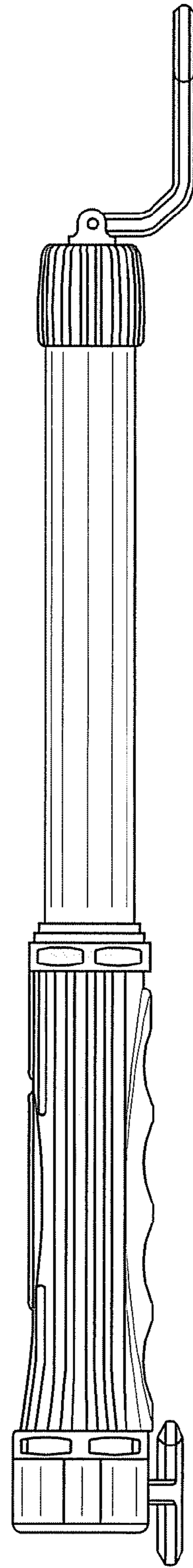


FIG. 5

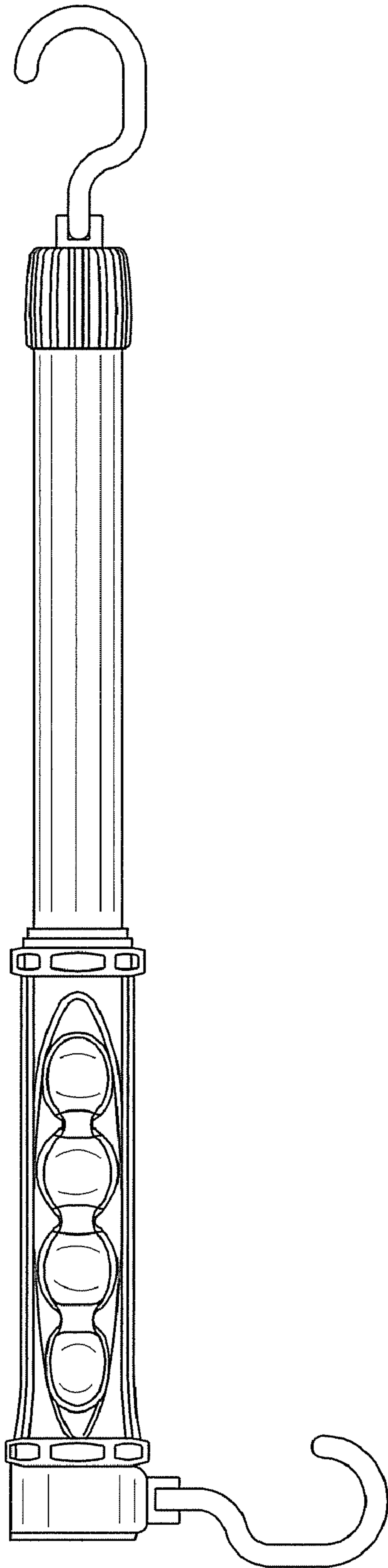


FIG. 6

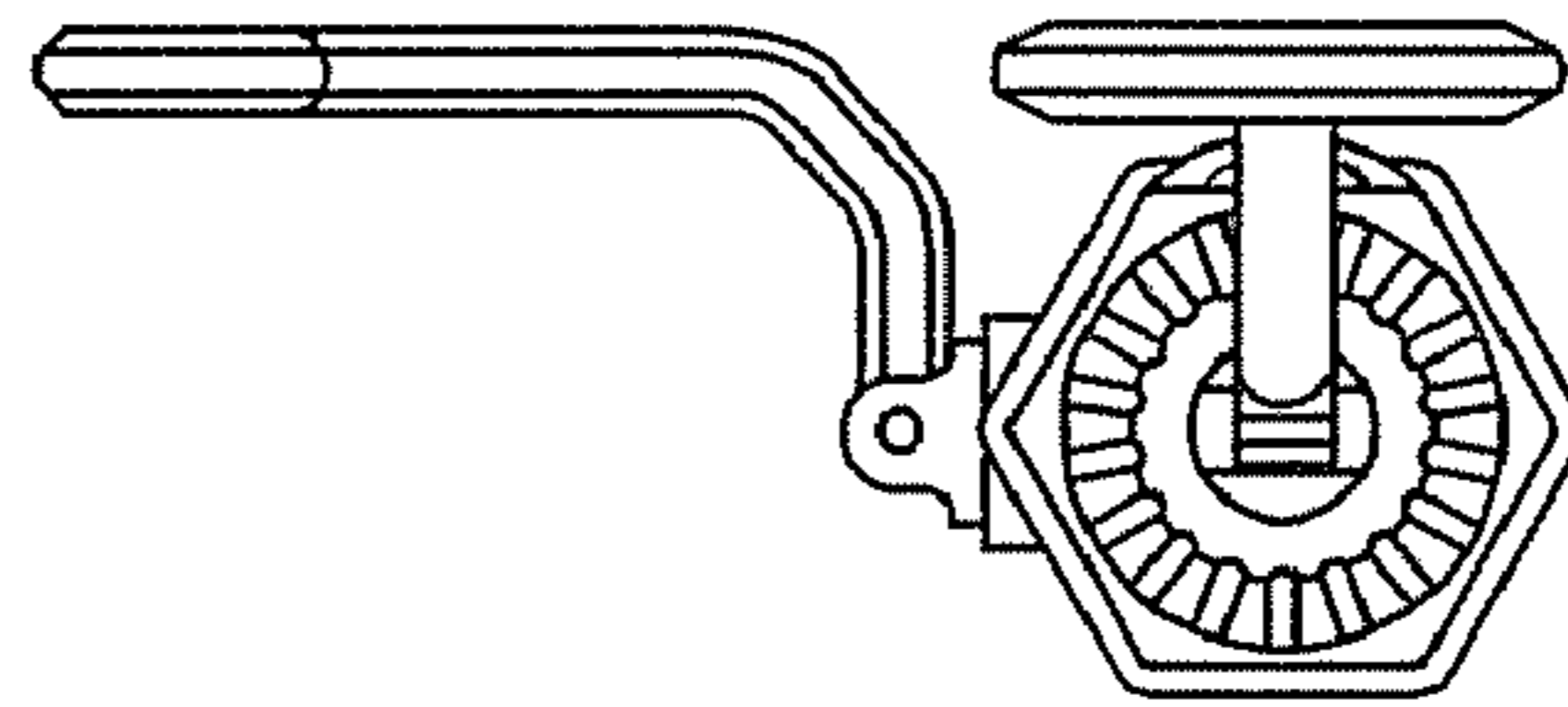


FIG. 7

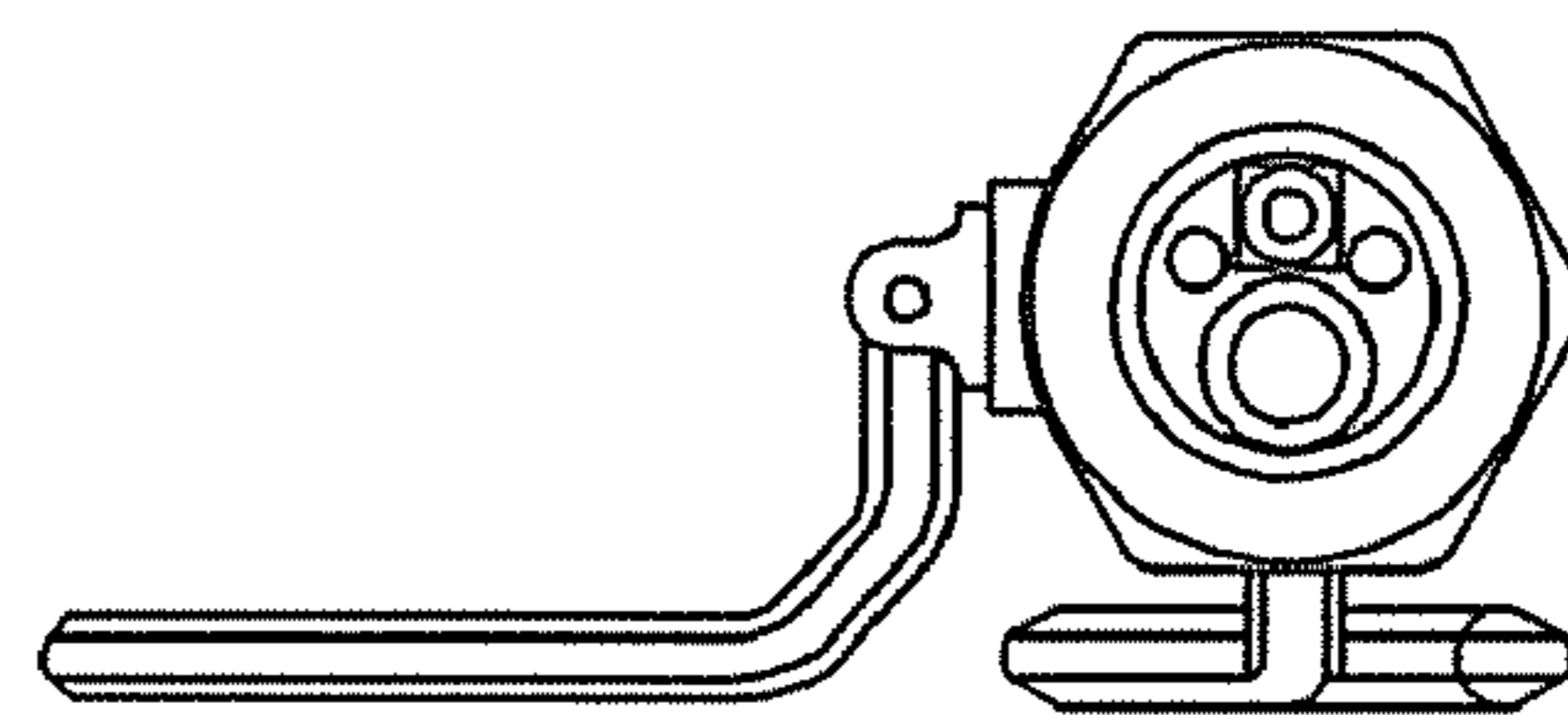


FIG. 8