

US00D548377S

(12) **United States Design Patent**  
**Markefka**

(10) **Patent No.:** **US D548,377 S**

(45) **Date of Patent:** **\*\* Aug. 7, 2007**

(54) **SURFACE CONFIGURATION OF A  
TAILLIGHT FOR A VEHICLE**

(75) Inventor: **Marc Michael Markefka**, Munich  
(DE)

(73) Assignee: **Bayerische Motoren Werke  
Aktiengesellschaft**, Munich (DE)

(\*\*) Term: **14 Years**

(21) Appl. No.: **29/265,545**

(22) Filed: **Sep. 5, 2006**

(30) **Foreign Application Priority Data**

Mar. 3, 2006 (DE) ..... 4 06 01 328

(51) **LOC (8) Cl.** ..... **26-06**

(52) **U.S. Cl.** ..... **D26/28**

(58) **Field of Classification Search** ..... D26/28-36;  
362/459-468, 475-478, 485-487

See application file for complete search history.

(56) **References Cited**

**U.S. PATENT DOCUMENTS**

- D526,427 S \* 8/2006 Morioka ..... D26/28
- D528,232 S \* 9/2006 Nakahara ..... D26/28
- D528,680 S \* 9/2006 Oda ..... D26/28

D528,684 S \* 9/2006 Kato et al. .... D26/28

\* cited by examiner

*Primary Examiner*—Marcus A. Jackson

(74) *Attorney, Agent, or Firm*—Crowell & Moring LLP

(57) **CLAIM**

The ornamental design for a surface configuration of a taillight for a vehicle, as shown and described.

**DESCRIPTION**

This application is related to the following co-pending application, of the inventor, filed on even date herewith: Application Ser. No. 29/265,544, entitled “Surface Configuration of a Taillight for a Vehicle”.

FIG. 1 is a perspective view of a first embodiment of a surface configuration of a taillight for a vehicle according to my novel design; and

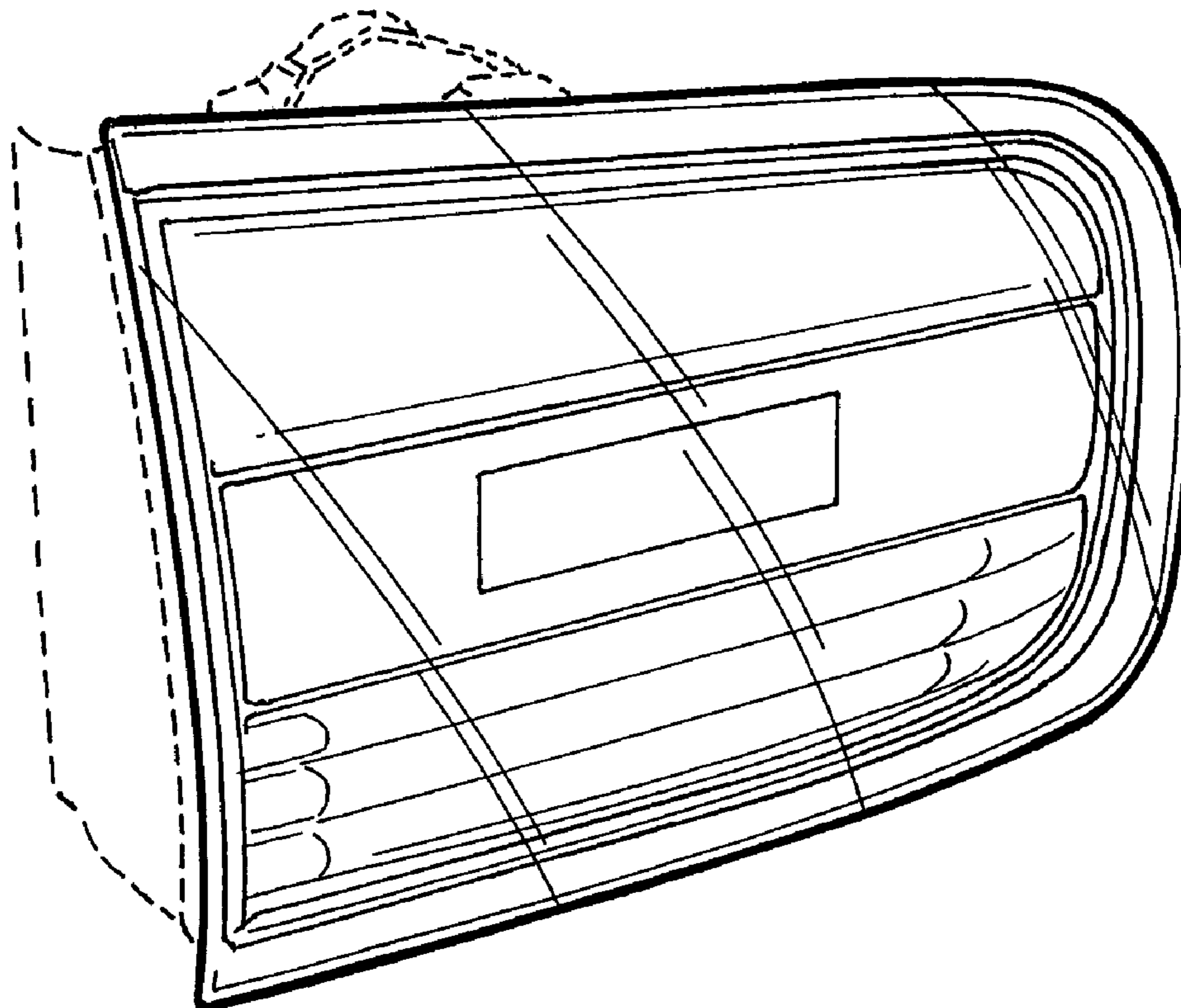
FIG. 2 is a front view thereof.

FIG. 3 is a perspective view of a second embodiment of the surface configuration of a taillight for a vehicle according to my novel design; and,

FIG. 4 is a front view thereof.

The broken lines are for illustrative purposes only and form no part of the claimed design.

**1 Claim, 2 Drawing Sheets**



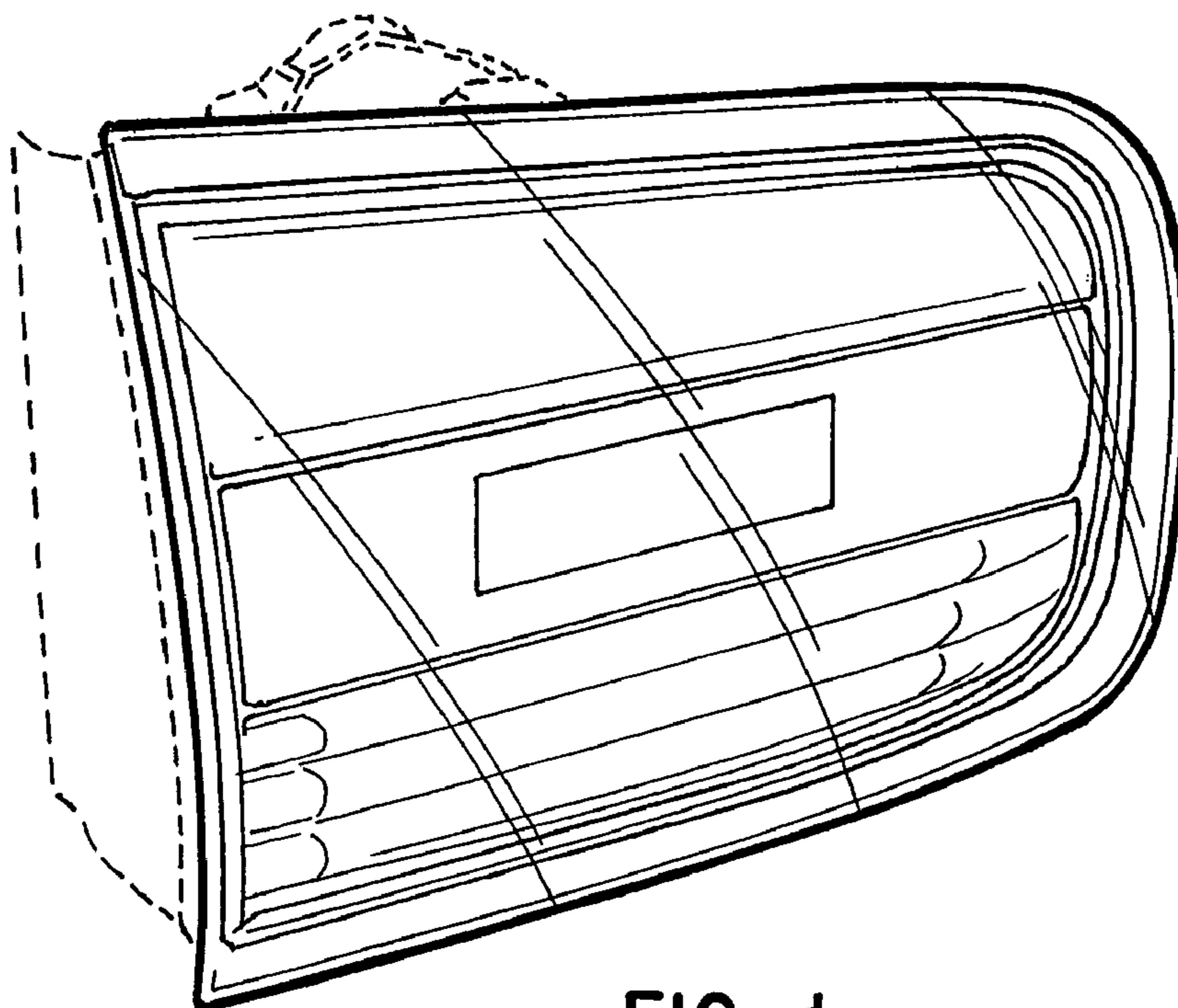


FIG. 1

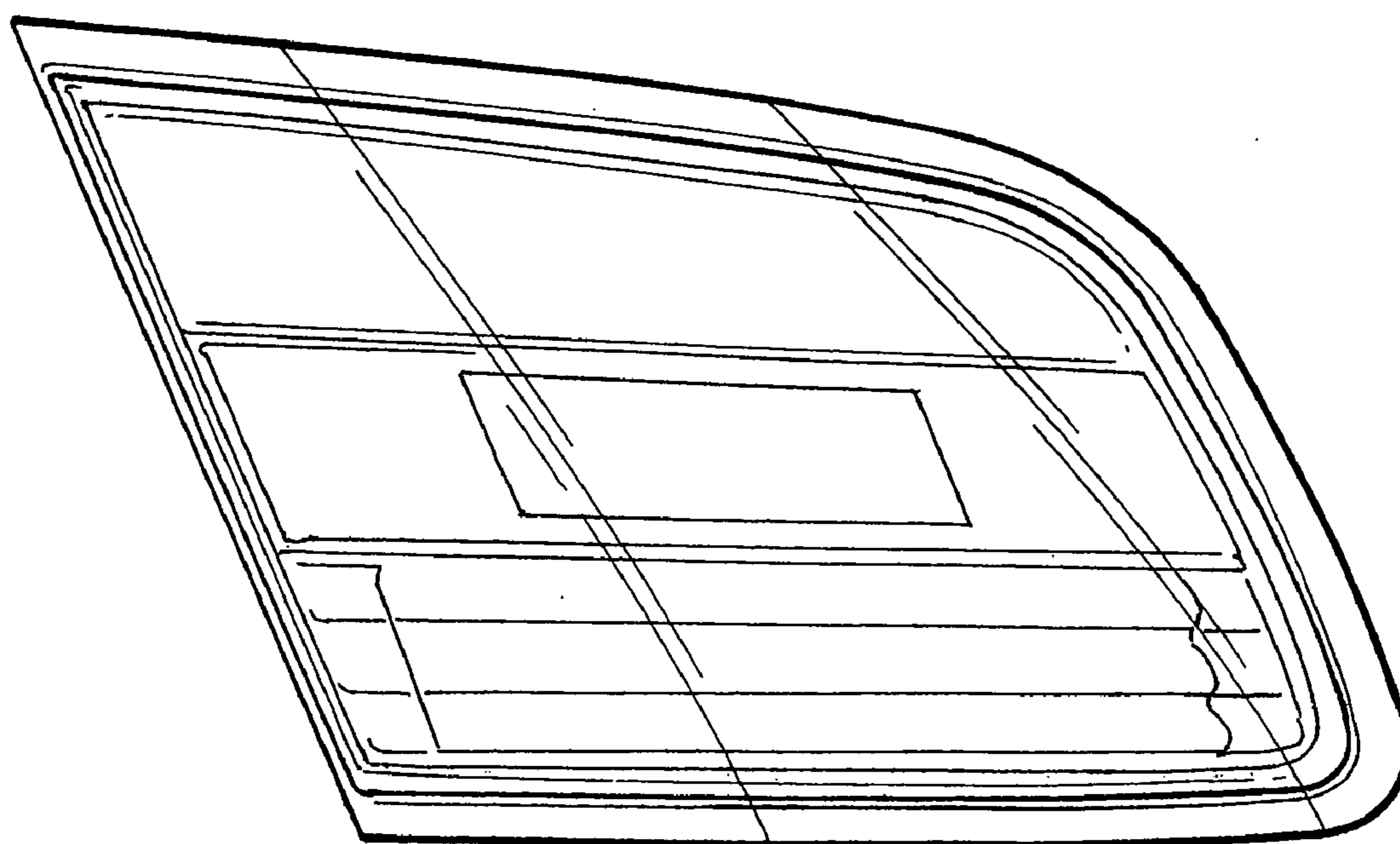


FIG. 2

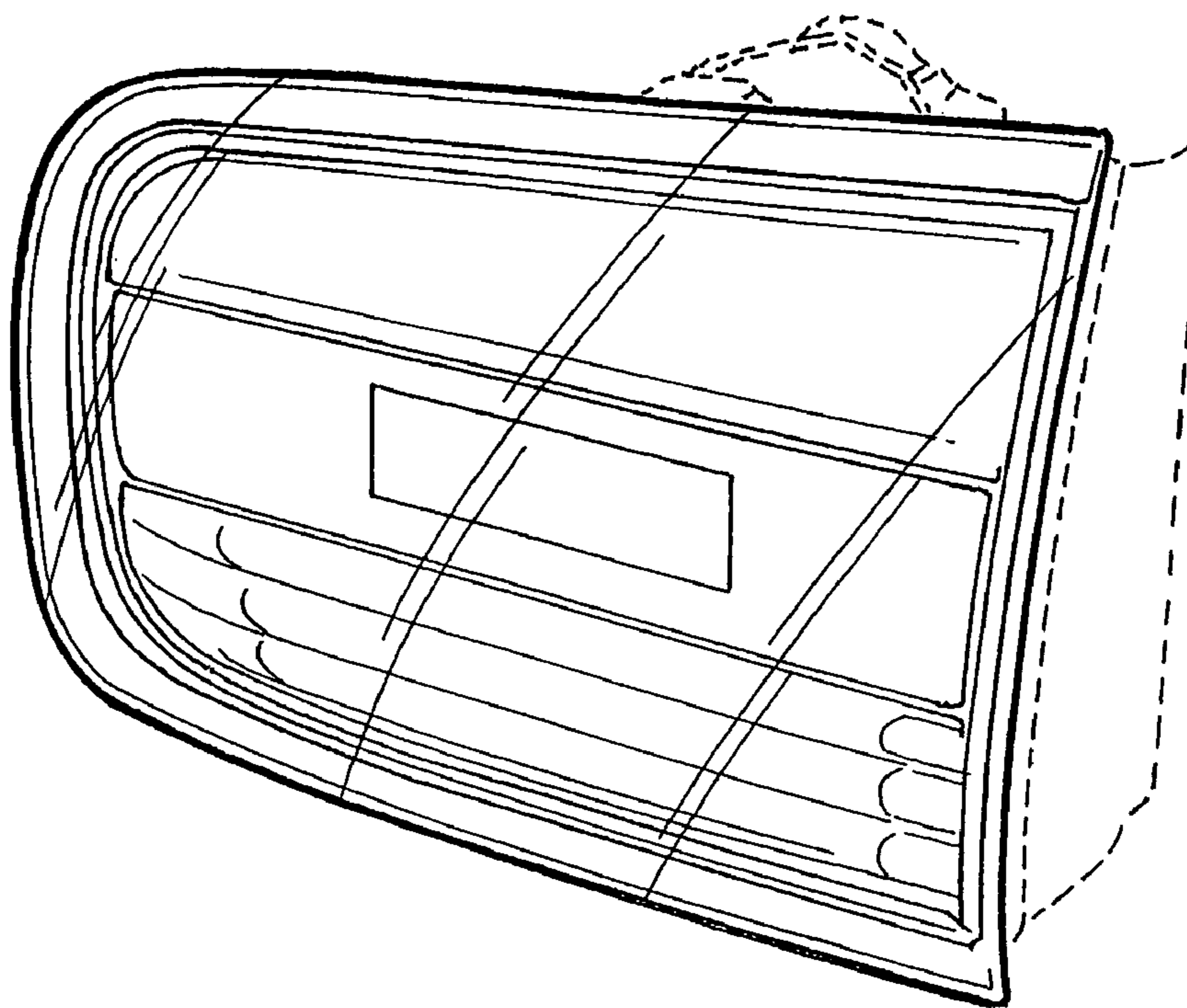


FIG. 3

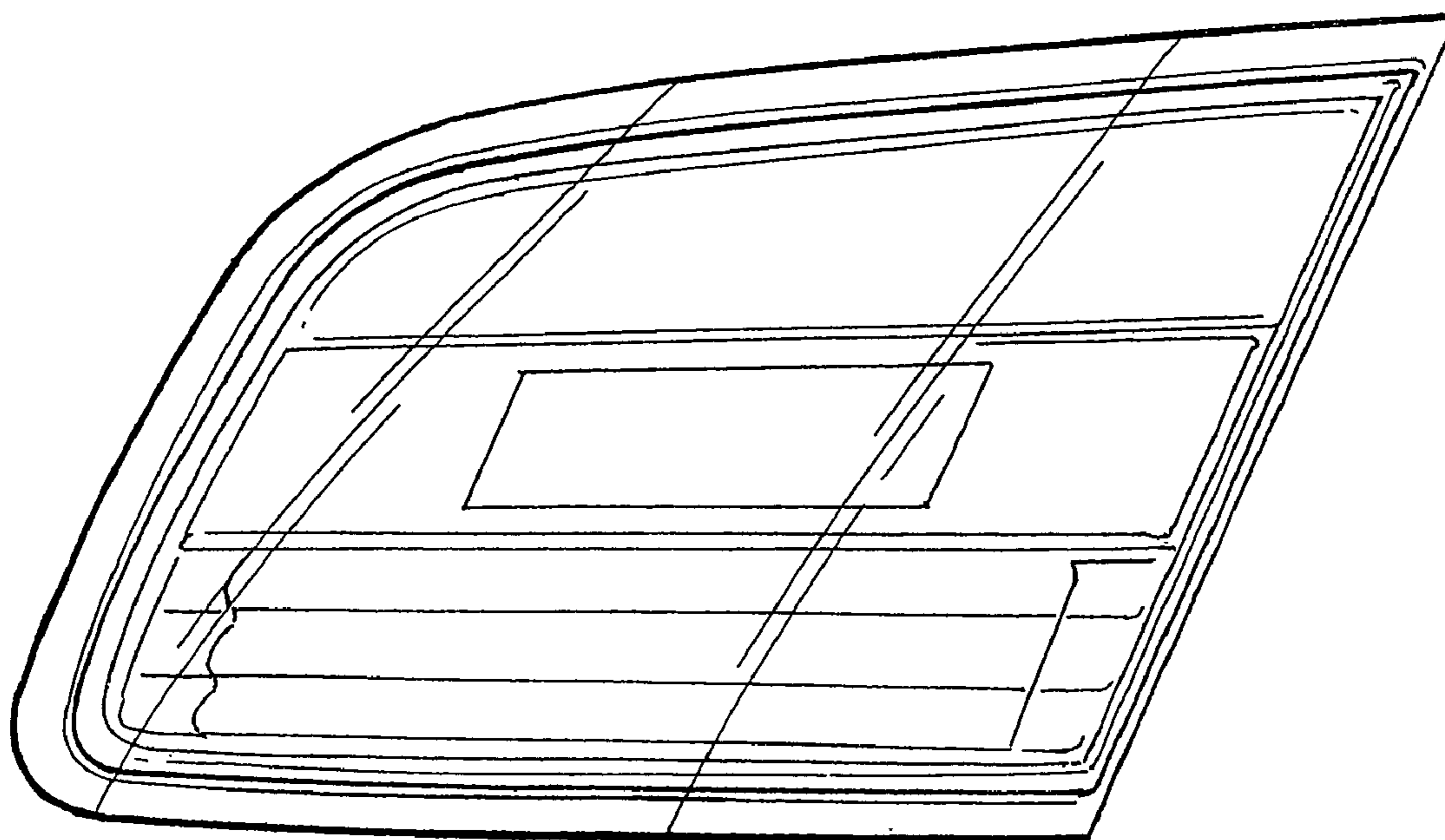


FIG. 4