

US00D548376S

(12) **United States Design Patent** (10) **Patent No.:** **US D548,376 S**  
**Markefka** (45) **Date of Patent:** **\*\* Aug. 7, 2007**

(54) **SURFACE CONFIGURATION OF A TAILLIGHT FOR A VEHICLE**

*Primary Examiner*—Marcus A. Jackson  
(74) *Attorney, Agent, or Firm*—Crowell & Moring LLP

(75) **Inventor:** **Marc Michael Markefka**, Munich (DE)

(57) **CLAIM**

The ornamental design for a surface configuration of a taillight for a vehicle, as shown and described.

(73) **Assignee:** **Bayerische Motoren Werke Aktiengesellschaft**, Munich (DE)

(\*\*) **Term:** **14 Years**

**DESCRIPTION**

(21) **Appl. No.:** **29/265,544**

(22) **Filed:** **Sep. 5, 2006**

(30) **Foreign Application Priority Data**

Mar. 3, 2006 (DE) ..... 406 01 328

(51) **LOC (8) Cl.** ..... **26-06**

(52) **U.S. Cl.** ..... **D26/28**

(58) **Field of Classification Search** ..... D26/28-36;  
362/459-468, 475-478, 485-487

See application file for complete search history.

(56) **References Cited**

**U.S. PATENT DOCUMENTS**

D526,427 S \* 8/2006 Morioka ..... D26/28  
D528,232 S \* 9/2006 Nakahara ..... D26/28  
D528,680 S \* 9/2006 Oda ..... D26/28  
D528,684 S \* 9/2006 Kato et al. .... D26/28

\* cited by examiner

This application is related to the following co-pending application, of the inventor, filed on even date herewith: application Ser. No. 29/265,545, entitled “Surface Configuration of a Taillight for a Vehicle”.

FIG. 1 is a perspective view of a first embodiment of a surface configuration of a taillight for a vehicle according to my novel design;

FIG. 2 is a side view thereof; and

FIG. 3 is a front view thereof.

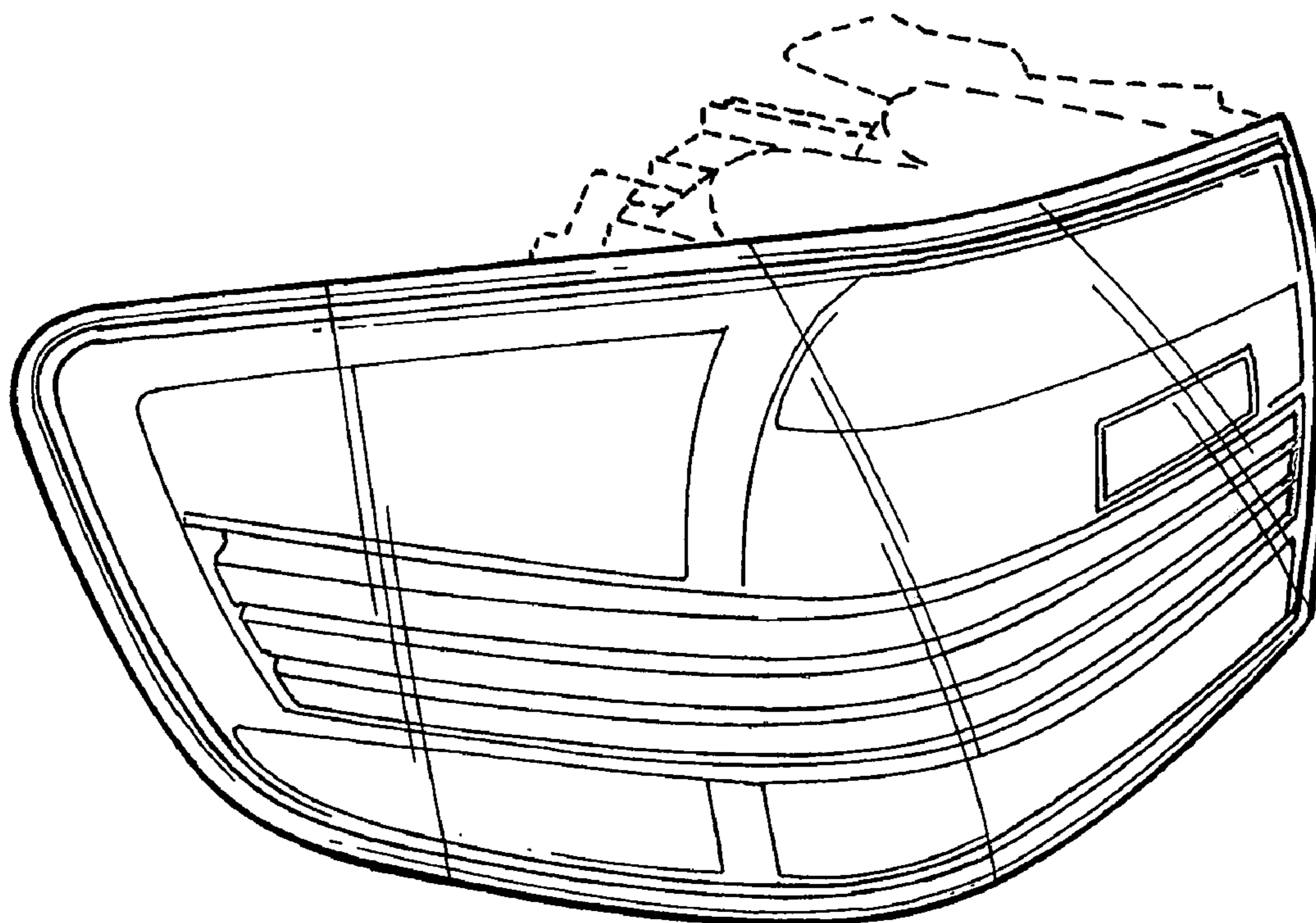
FIG. 4 is a perspective view of a second embodiment of the surface configuration of a taillight for a vehicle according to my novel design;

FIG. 5 is a side view thereof; and,

FIG. 6 is a front view thereof.

The broken lines are for illustrative purposes only and form no part of the claimed design.

**1 Claim, 4 Drawing Sheets**



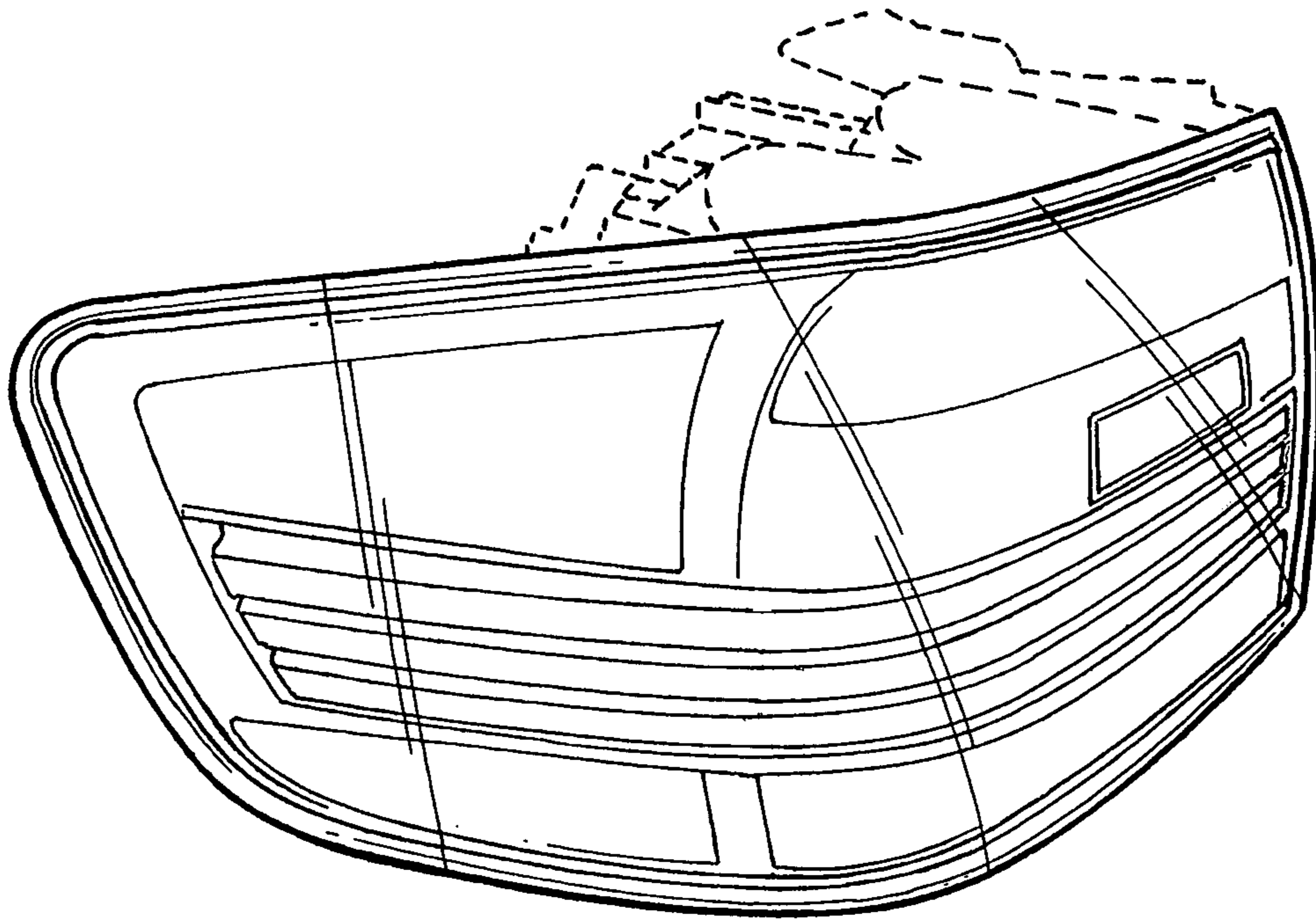


FIG. 1

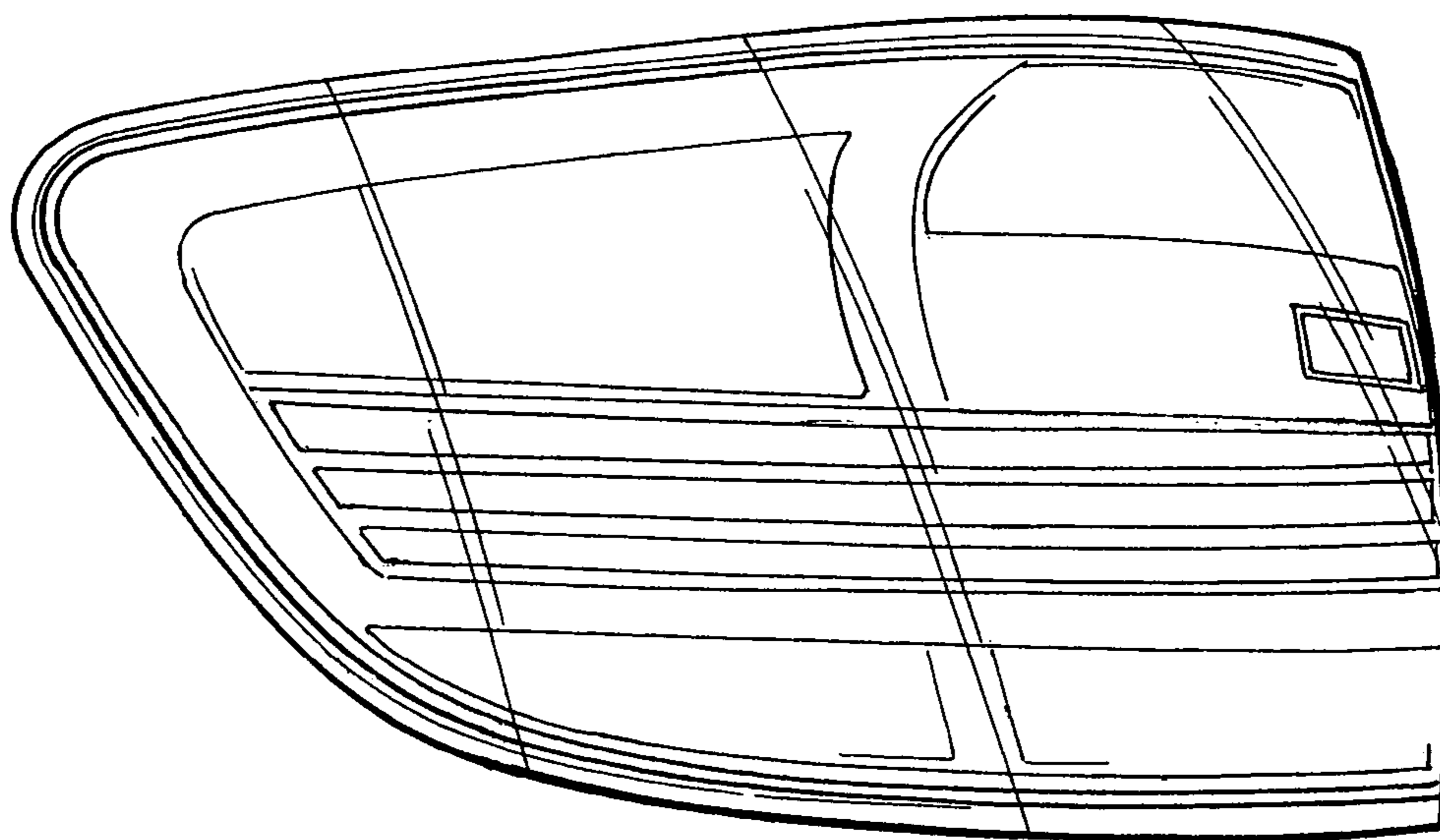


FIG. 2

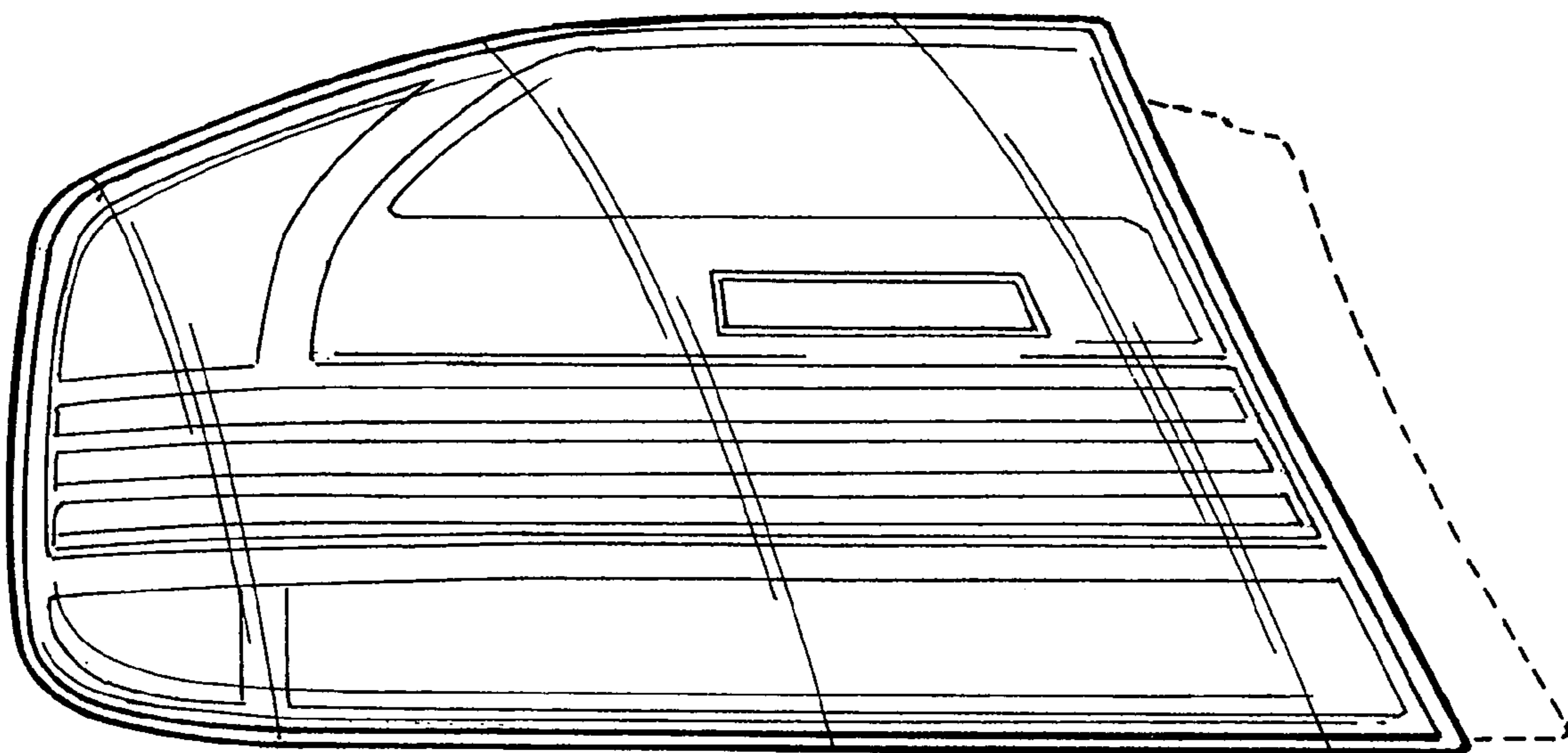


FIG. 3

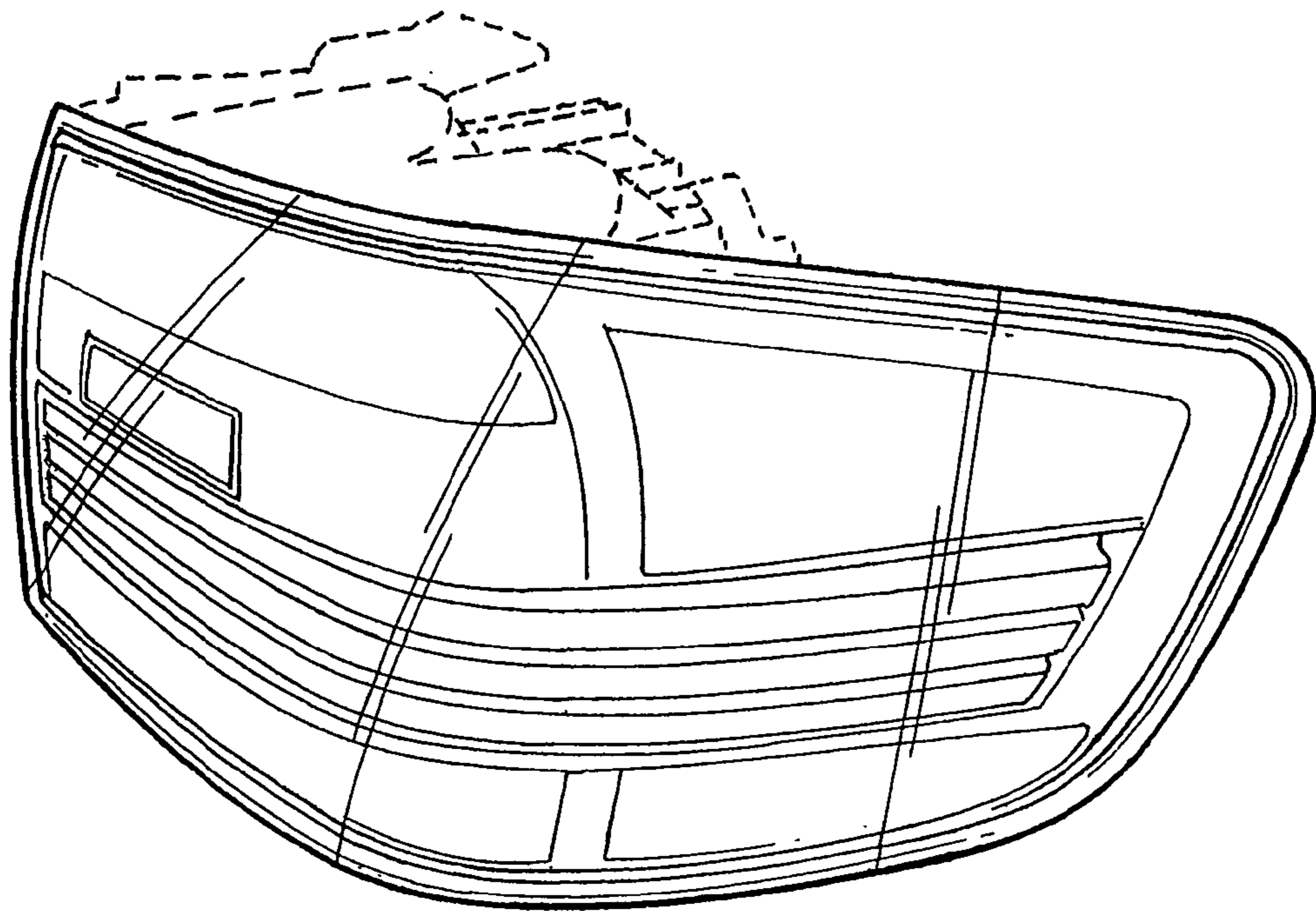


FIG. 4

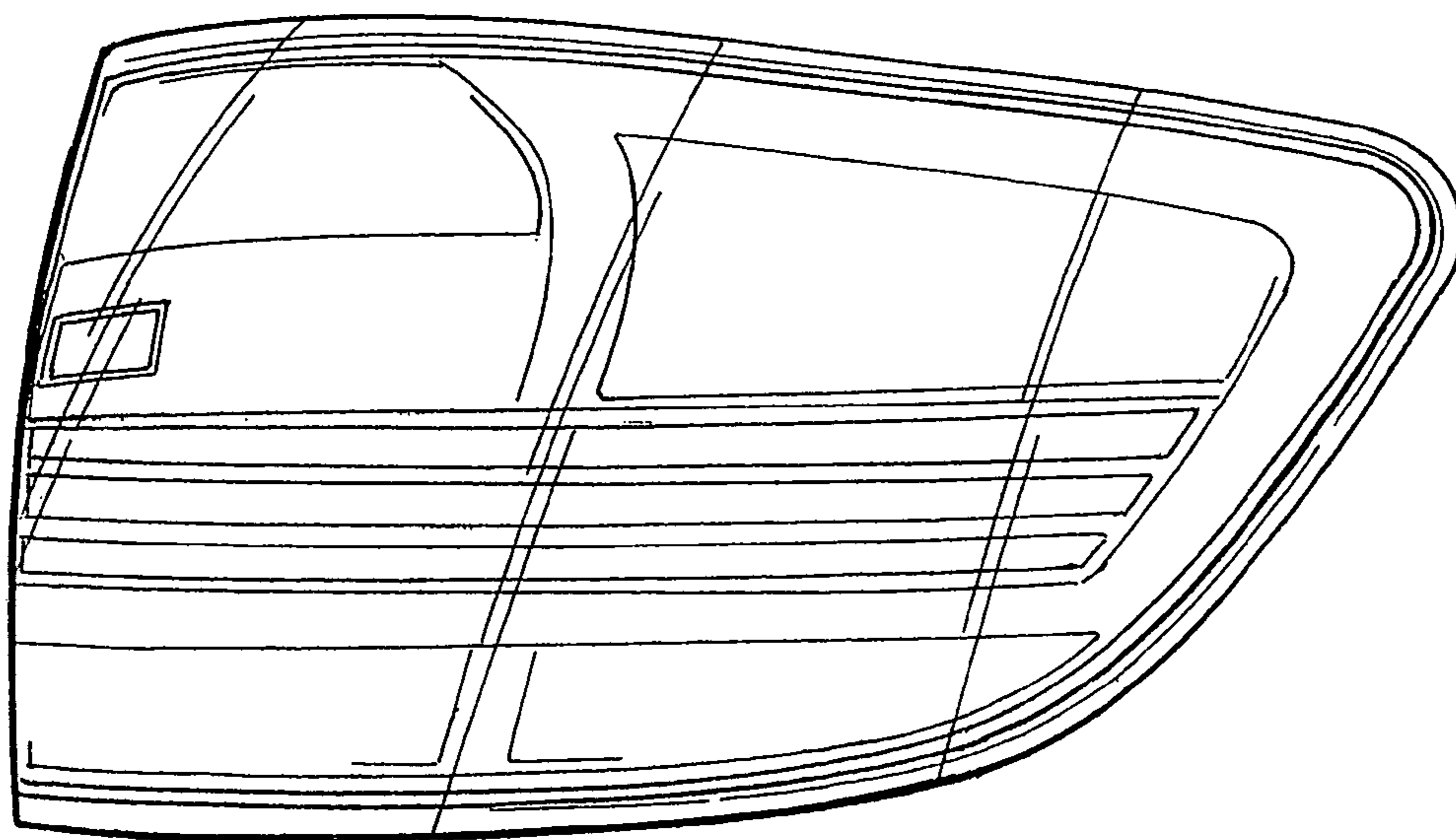


FIG. 5

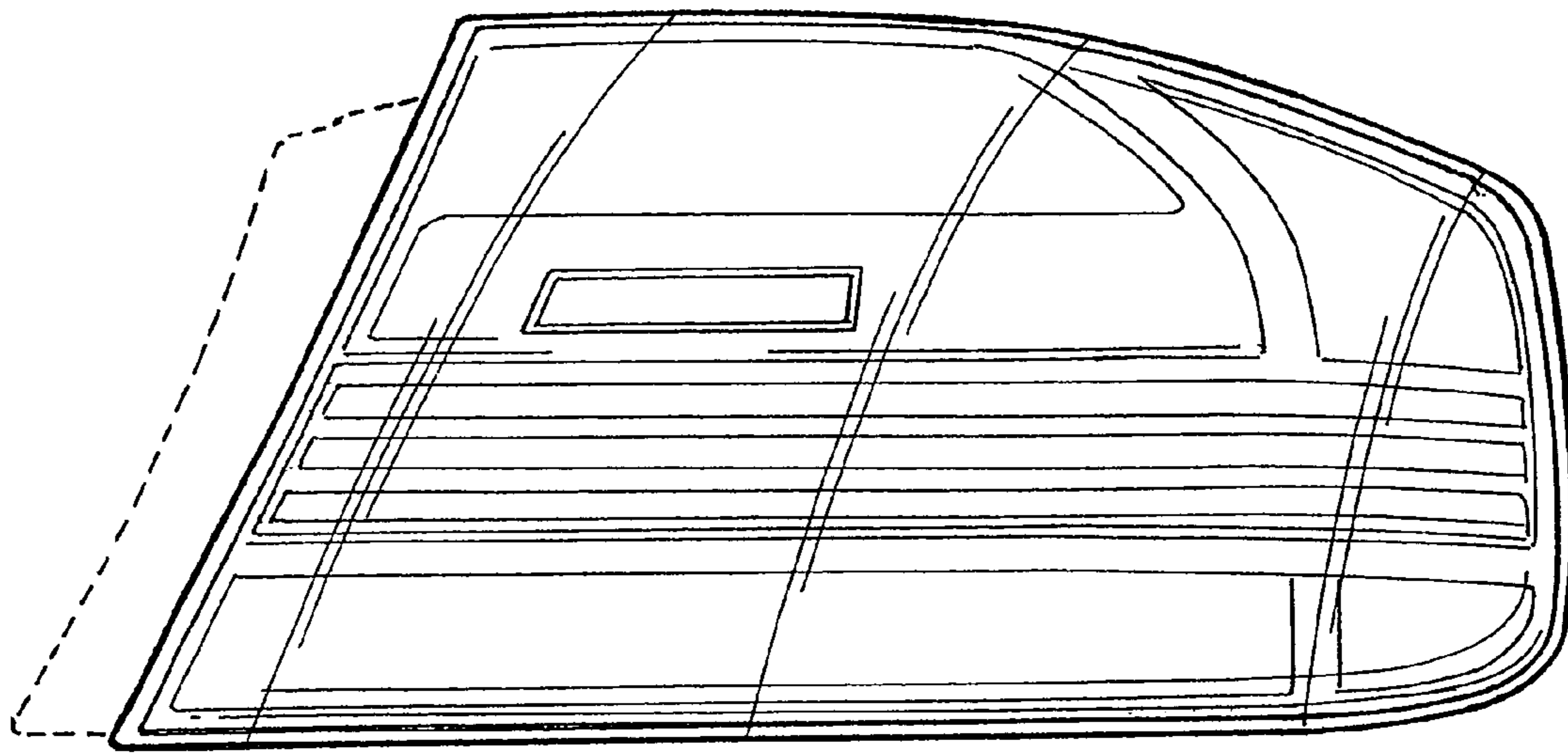


FIG. 6