



US00D548373S

(12) **United States Design Patent**  
**Handsaker**

(10) **Patent No.:** **US D548,373 S**

(45) **Date of Patent:** **\*\* Aug. 7, 2007**

(54) **CHANNEL LIGHT**

(75) Inventor: **Jerrold Handsaker**, Roland, IA (US)

(73) Assignee: **Innovative Lighting, Inc.**, Roland, IA (US)

(\*\*) Term: **14 Years**

(21) Appl. No.: **29/259,217**

(22) Filed: **May 4, 2006**

(51) **LOC (8) Cl.** ..... **26-03**

(52) **U.S. Cl.** ..... **D26/24**

(58) **Field of Classification Search** ..... D26/1,  
D26/2, 24-6, 28, 35, 37, 42-4, 49, 61, 63,  
D26/72, 75, 76, 80-1, 88, 113; 362/85, 211,  
362/213, 217, 220-1, 227, 233, 237, 240,  
362/458, 640-2, 647-50, 652, 655, 183,  
362/190-192, 194-5; 313/315, 317, 318.01,  
313/56-8

See application file for complete search history.

(56) **References Cited**

**U.S. PATENT DOCUMENTS**

D251,752 S *	5/1979	Ariga et al.	.....	D26/3
D266,026 S *	8/1982	Ariga et al.	.....	D26/3
D431,876 S *	10/2000	Lewis	.....	D26/76
D433,177 S *	10/2000	Lewis	.....	D26/113
D436,199 S *	1/2001	Lam	.....	D26/42

D443,939 S *	6/2001	Thomas	.....	D26/28
6,386,736 B1 *	5/2002	Reiff et al.	.....	362/260
D494,081 S *	8/2004	Boilen	.....	D10/114
D532,544 S *	11/2006	Woertler	.....	D26/80
D537,186 S *	2/2007	Weddell	.....	D26/80
2004/0062041 A1 *	4/2004	Cross et al.	.....	362/240
2005/0265019 A1 *	12/2005	Sommers et al.	.....	362/217

\* cited by examiner

*Primary Examiner*—Alan P. Douglas

*Assistant Examiner*—Angela J. Lee

(74) *Attorney, Agent, or Firm*—Daniel A. Rosenberg; Kent A. Herink; Emily E. Harris

(57) **CLAIM**

The ornamental design for a channel light, as shown and described.

**DESCRIPTION**

FIG. 1 is a top perspective view of the channel light with an end cap.

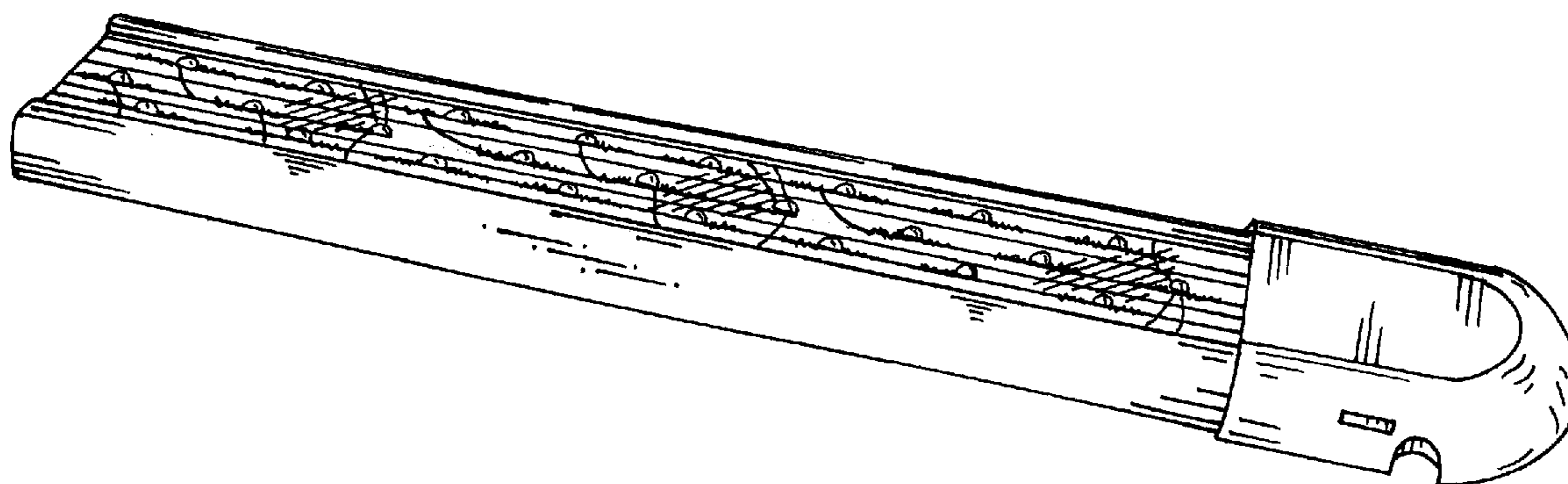
FIG. 2 is a top view of the channel light with the end cap.

FIG. 3 is a side view of the channel light with the end cap.

FIG. 4 is a end view of the channel light with the end cap; and,

FIG. 5 is a bottom view of the channel light with the end cap.

**1 Claim, 2 Drawing Sheets**



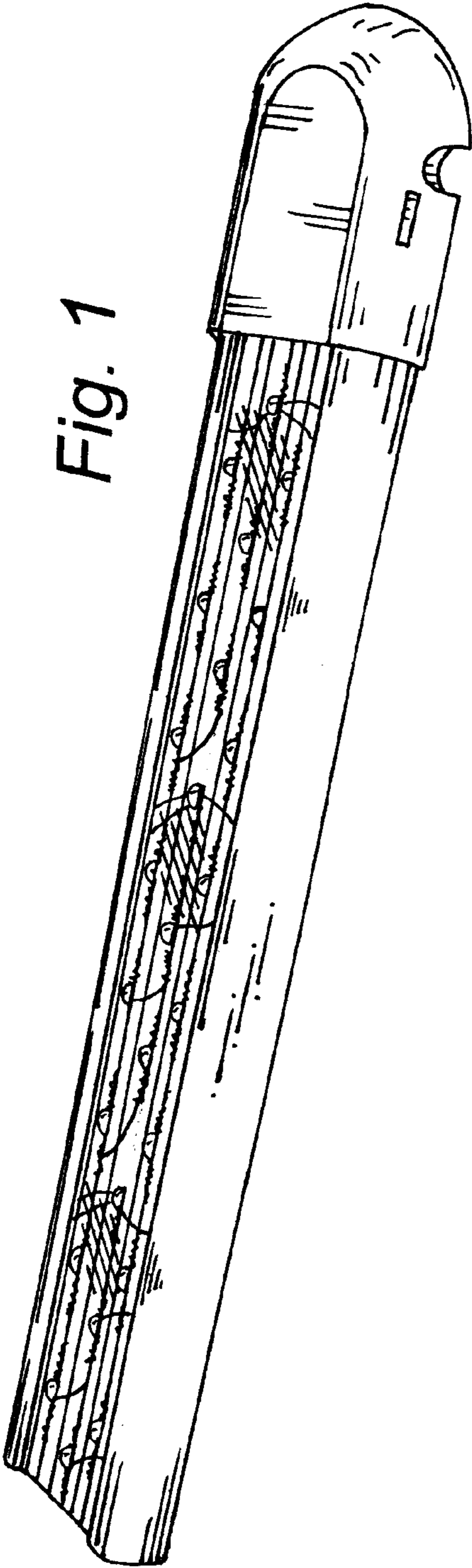


Fig. 1

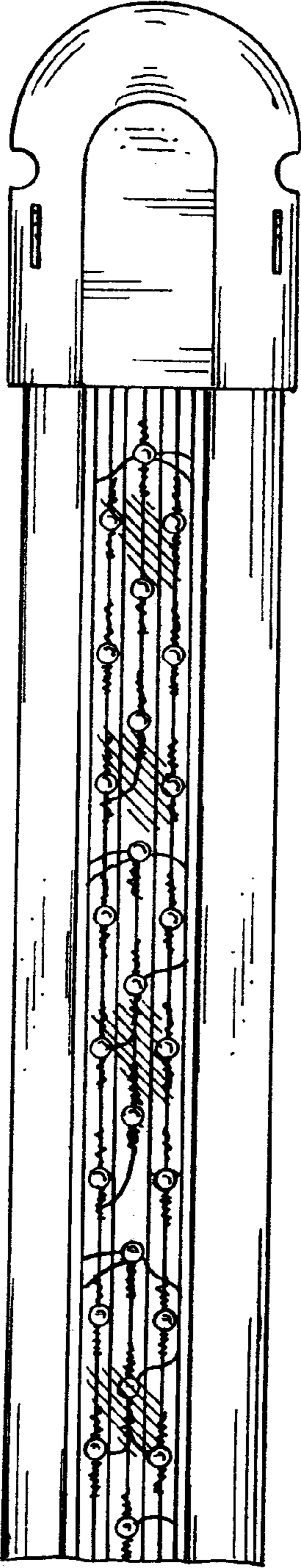


Fig. 2

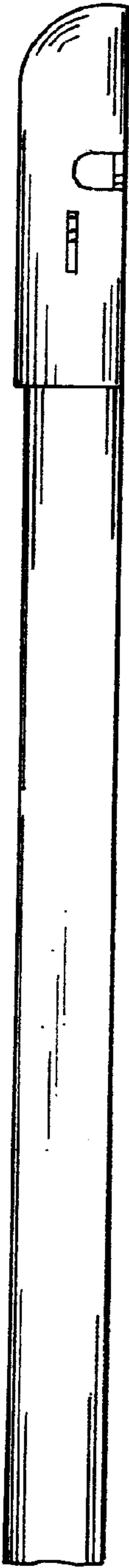


Fig. 3



Fig. 4

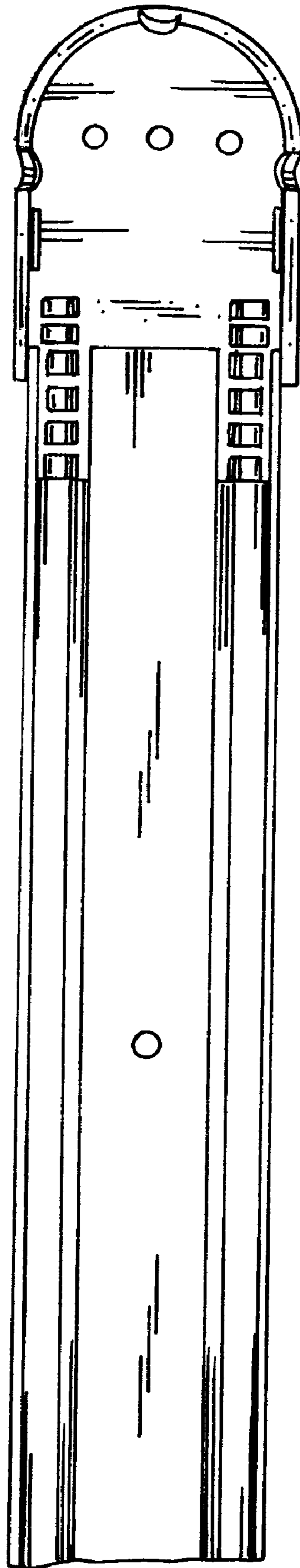


Fig. 5