

US00D548372S

(12) **United States Design Patent**  
**Osiecki et al.**

(10) **Patent No.:** **US D548,372 S**

(45) **Date of Patent:** **\*\* Aug. 7, 2007**

(54) **LIGHTING DEVICE**

(75) Inventors: **Scott W. Osiecki**, Skaneateles, NY  
(US); **Ronald J. Kingston**, Syracuse,  
NY (US); **Donwoong Kang**, Camillus,  
NY (US)

(73) Assignee: **Eveready Battery Company, Inc.**, St.  
Louis, MO (US)

(\*\*) Term: **14 Years**

(21) Appl. No.: **29/247,610**

(22) Filed: **Jun. 28, 2006**

(51) **LOC (8) Cl.** ..... **26-05**

(52) **U.S. Cl.** ..... **D26/24**

(58) **Field of Classification Search** ..... D26/1,  
D26/2, 24-6, 28, 35, 37, 42-4, 49, 61, 63,  
D26/72, 75, 76, 80-81, 88, 113; 362/85,  
362/211, 213, 217, 220-1, 227, 233, 237,  
362/240, 458, 640-2, 647-50, 652, 655,  
362/183, 190-192, 194-5; 313/315, 317,  
313/318.01, 56-8

See application file for complete search history.

(56) **References Cited**

**U.S. PATENT DOCUMENTS**

D411,324 S \* 6/1999 Roorda ..... D26/87  
D411,635 S \* 6/1999 Philipot et al. .... D26/28  
D434,863 S \* 12/2000 Boessel ..... D26/26  
D437,429 S \* 2/2001 Boessel ..... D26/26  
6,227,677 B1 \* 5/2001 Willis ..... 362/196  
D449,402 S \* 10/2001 Echito ..... D26/76

D459,521 S \* 6/2002 Echito ..... D26/86  
D477,432 S \* 7/2003 Parsons ..... D26/37  
D496,485 S \* 9/2004 Stekelenburg ..... D26/72  
D527,129 S \* 8/2006 Hodgson ..... D26/42  
D532,920 S \* 11/2006 Echito ..... D26/86  
2004/0145890 A1 \* 7/2004 Liao ..... 362/183  
2005/0231941 A1 \* 10/2005 Huang ..... 362/208

\* cited by examiner

*Primary Examiner*—Alan P. Douglas

*Assistant Examiner*—Angela J. Lee

(74) *Attorney, Agent, or Firm*—Gregory J. Adams

(57) **CLAIM**

The ornamental design for a lighting device, as shown and described.

**DESCRIPTION**

FIG. 1 is a left front perspective view of a lighting device showing our new design;

FIG. 2 is a left back perspective thereof;

FIG. 3 is a front view thereof;

FIG. 4 is a rear view thereof;

FIG. 5 is a left side view thereof;

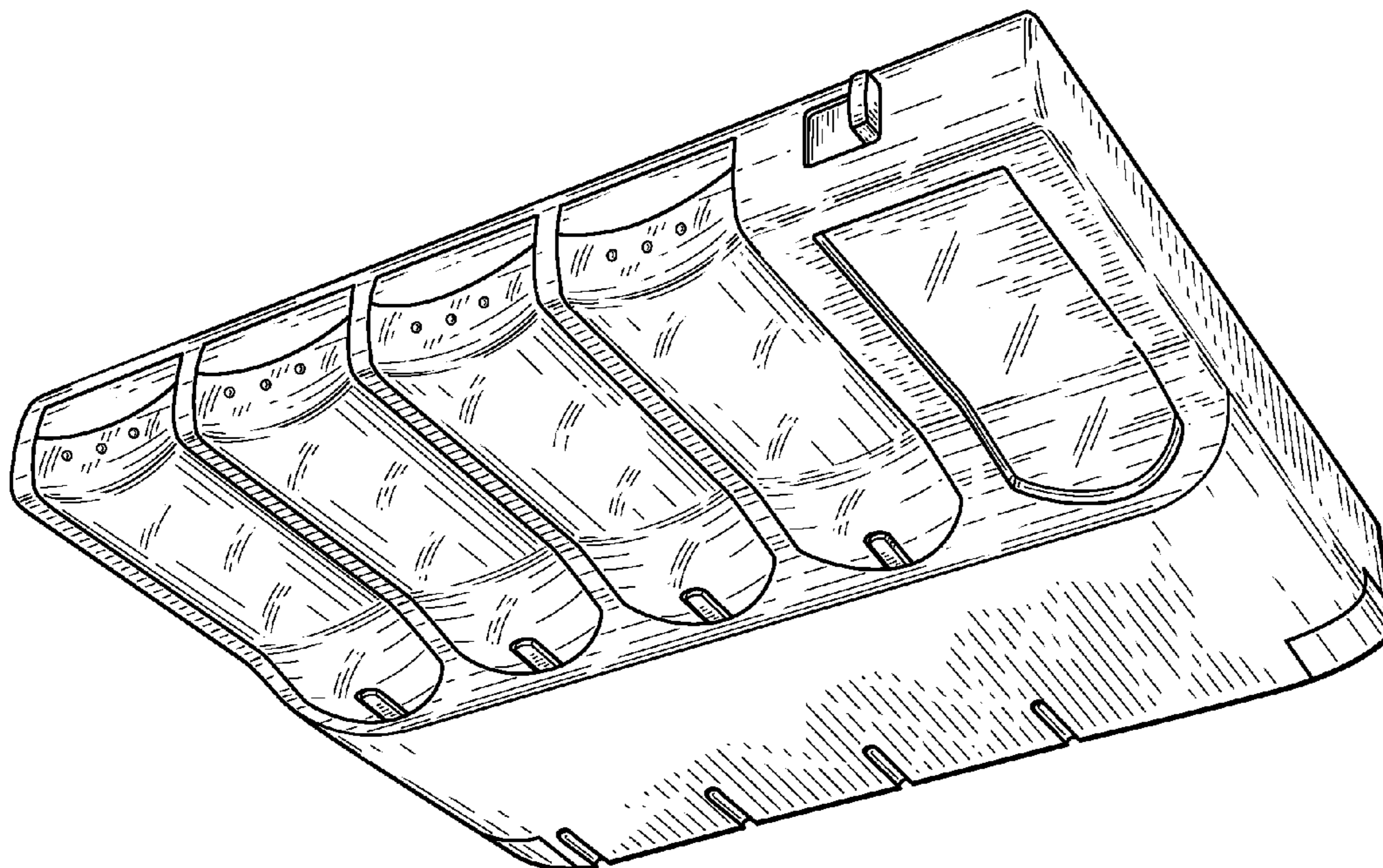
FIG. 6 is a right side view thereof;

FIG. 7 is a top view thereof; and,

FIG. 8 is a bottom view thereof.

The different elements of the claimed design are being shown separated in some figures for convenience of illustration.

**1 Claim, 7 Drawing Sheets**



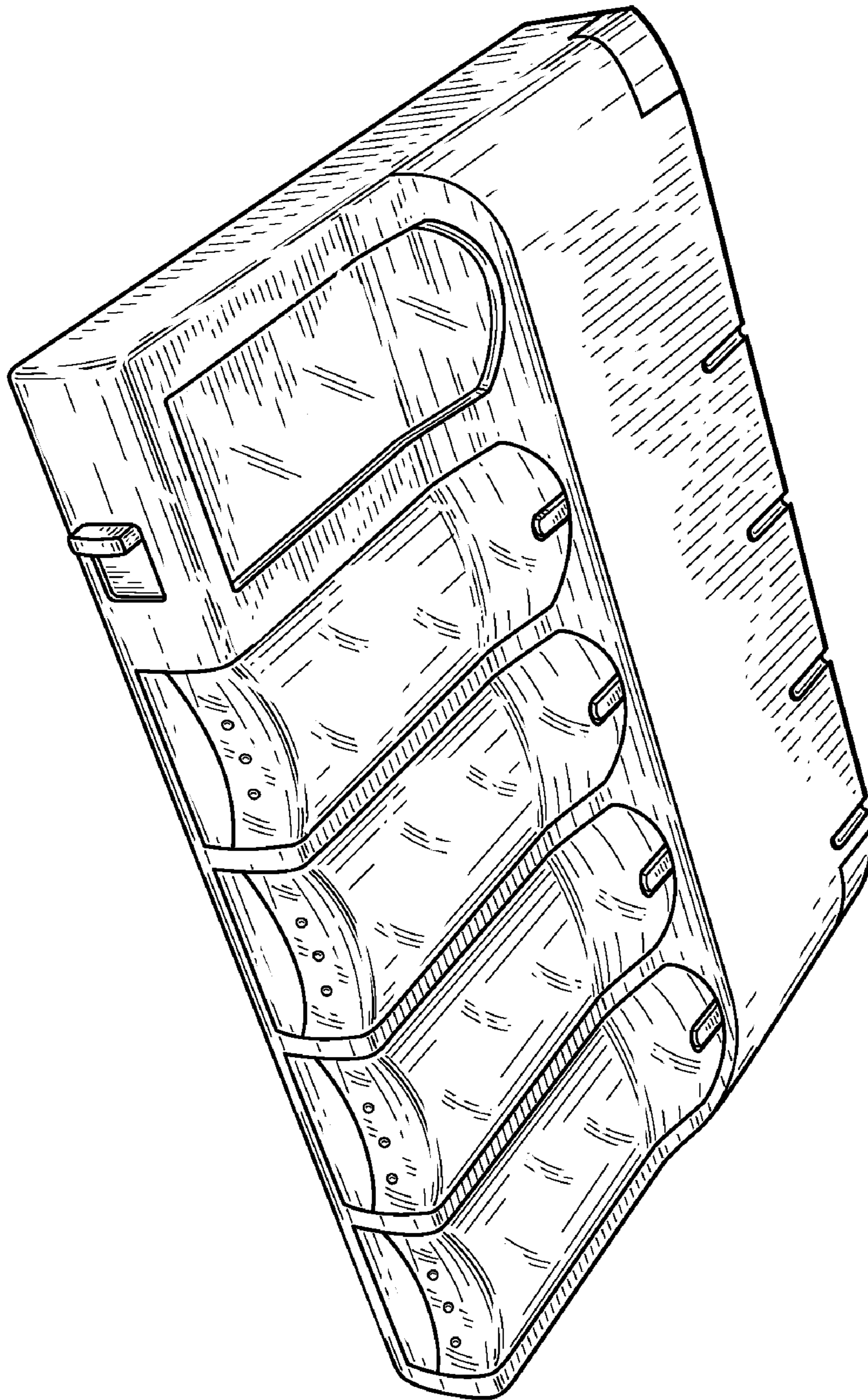


FIG. 1

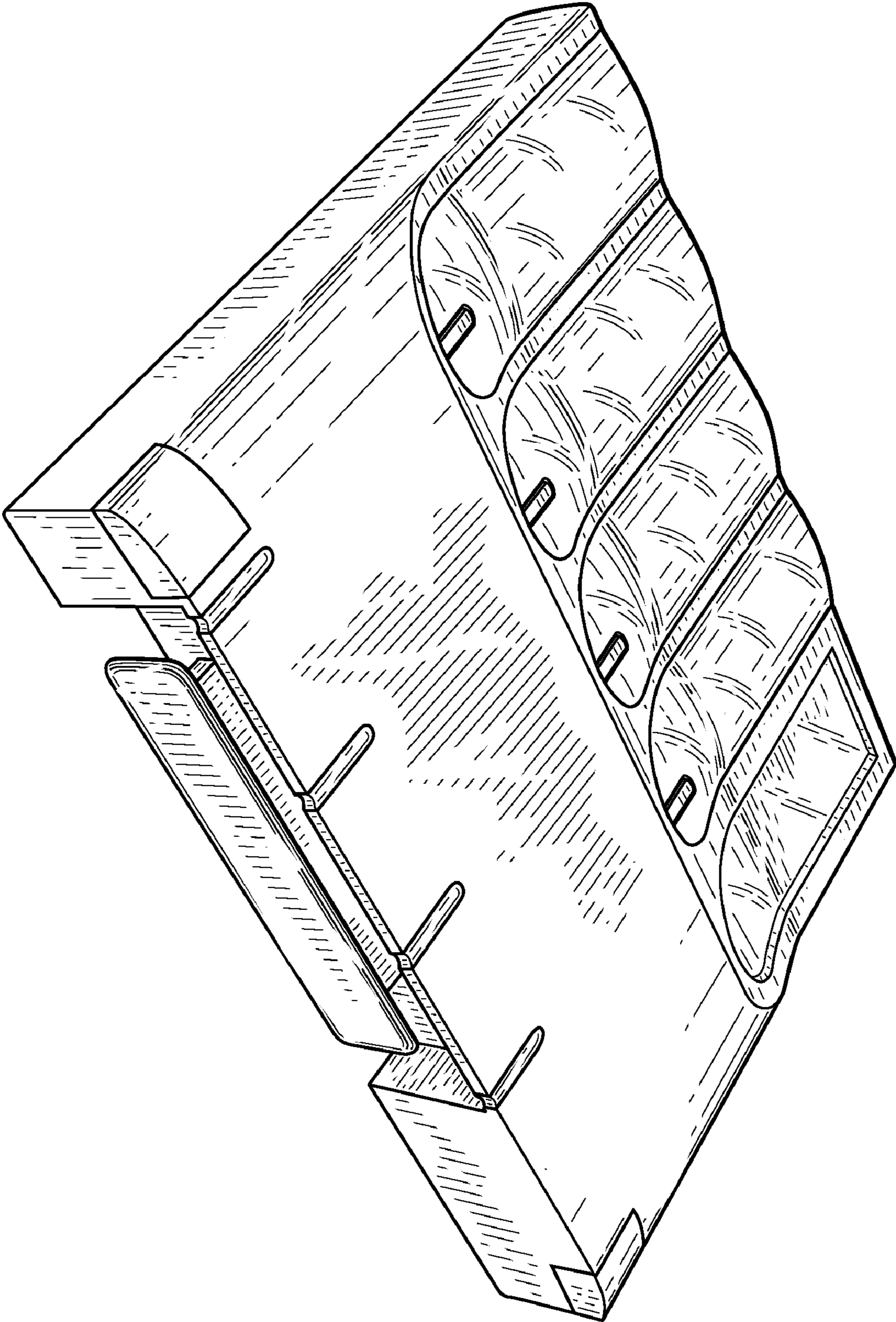


FIG. 2

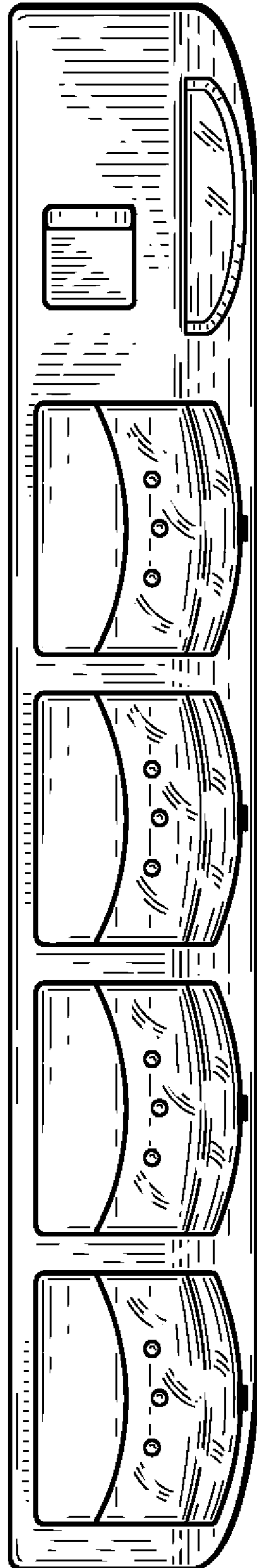


FIG. 3

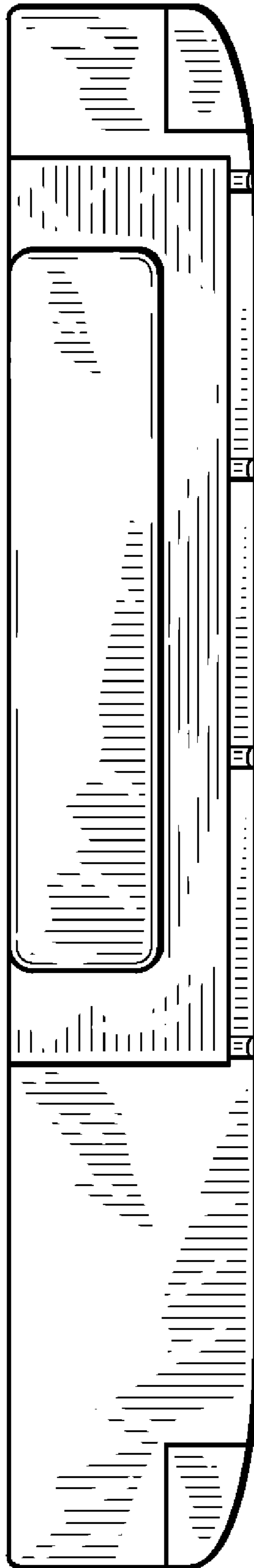


FIG. 4

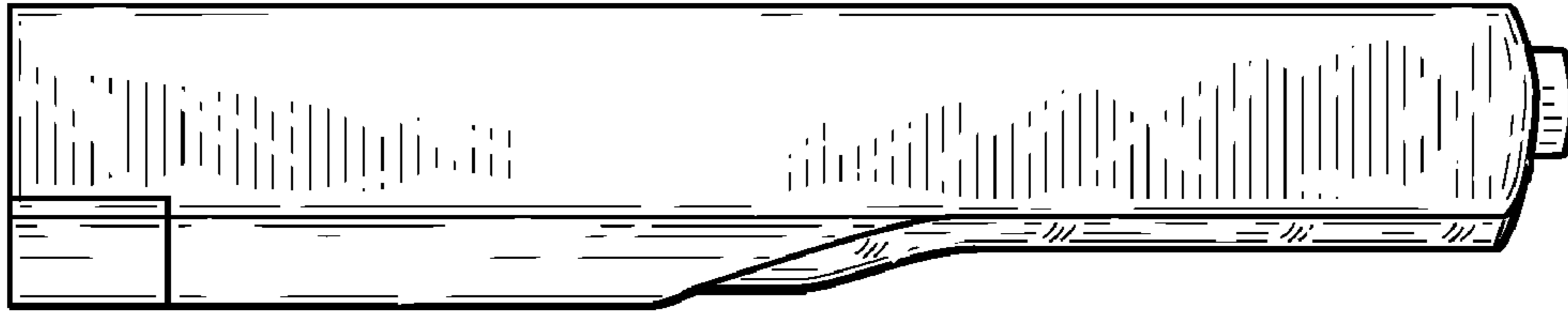


FIG. 5

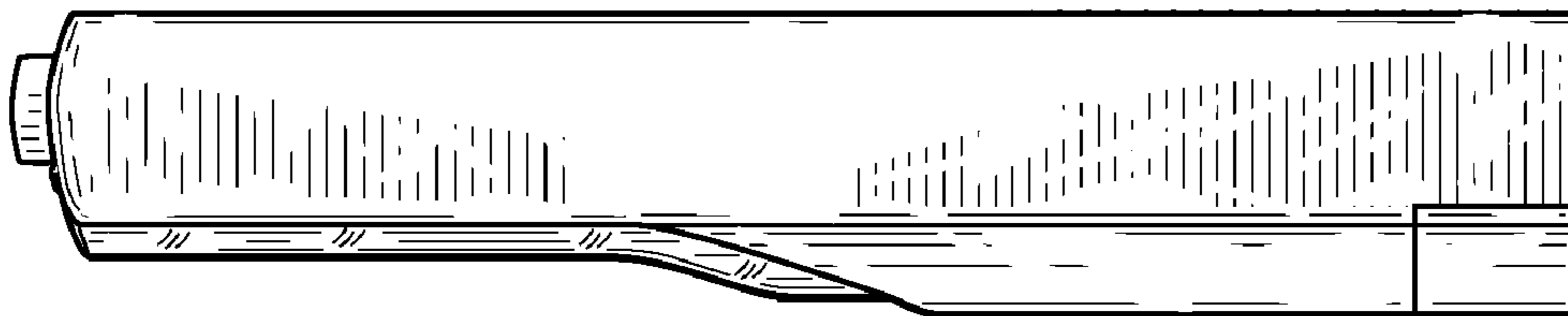


FIG. 6



FIG. 7

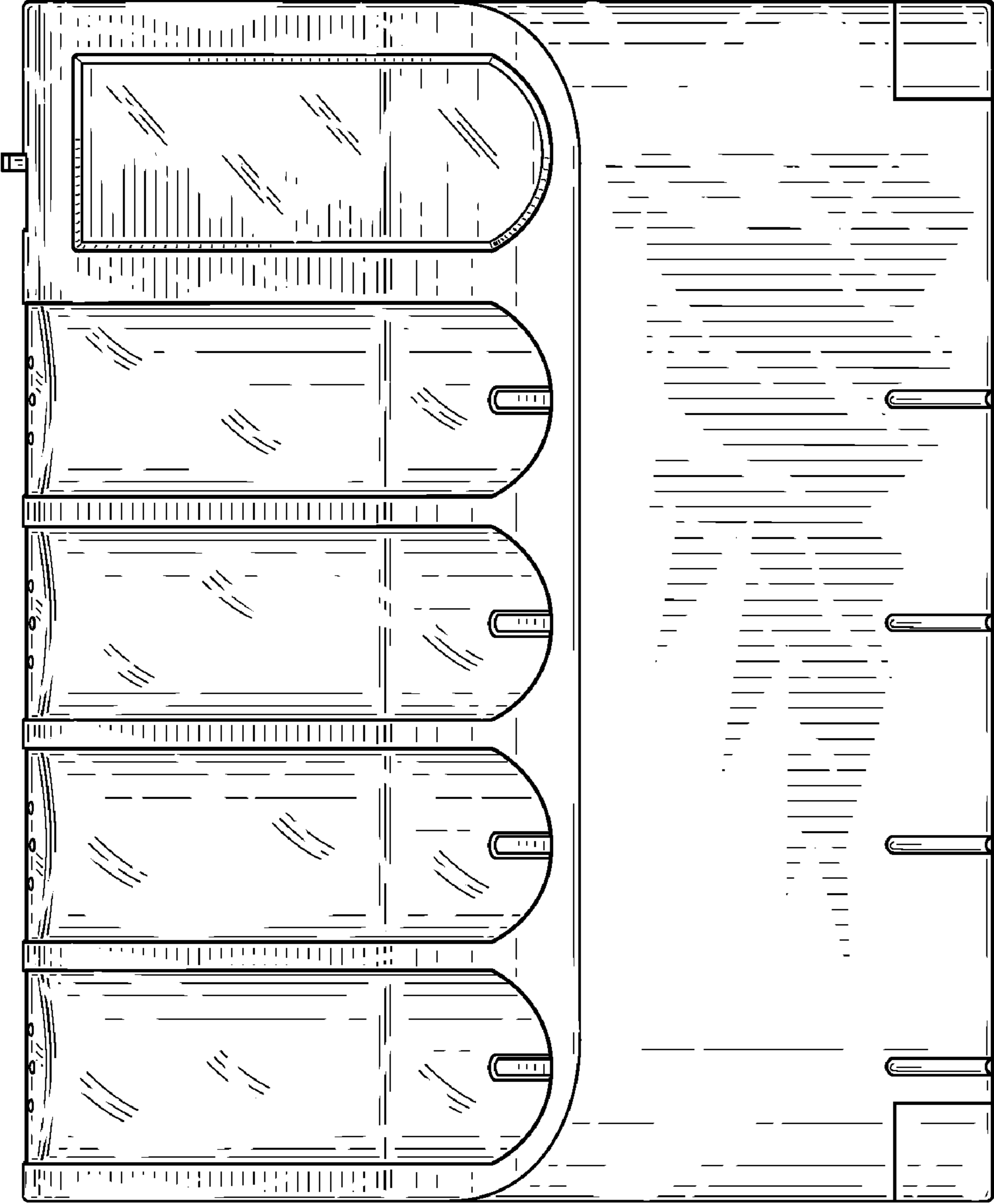


FIG. 8