



US00D548370S

(12) **United States Design Patent**
Leung et al.

(10) **Patent No.:** **US D548,370 S**

(45) **Date of Patent:** **** Aug. 7, 2007**

(54) **LAMP**

(76) Inventors: **Benson Chung-Pun Leung**, Unit 901,
53-57 Kwai Fung Crescent, Kwai
Chung, New Territories (HK); **Ambrose
Shing-Yin Leung**, Unit 901, 53-57
Kwai Fung Crescent, Kwai Chung, New
Territories (HK)

(**) **Term:** **14 Years**

(21) **Appl. No.:** **29/260,921**

(22) **Filed:** **Jun. 2, 2006**

(51) **LOC (8) Cl.** **26-04**

(52) **U.S. Cl.** **D26/3; D26/79**

(58) **Field of Classification Search** D26/72,
D26/74-79, 1-4; 313/315-18, 49, 204, 493,
313/320; 315/52-62; 362/216
See application file for complete search history.

(56) **References Cited**

U.S. PATENT DOCUMENTS

- 4,298,822 A * 11/1981 Fukuda 313/493
- D287,285 S * 12/1986 Futatsugi et al. D26/3
- D287,286 S * 12/1986 Suzuki et al. D26/3
- D287,287 S * 12/1986 Futatsugi et al. D26/3
- D304,502 S * 11/1989 Heidemann et al. D26/3
- D334,072 S * 3/1993 Egawa D26/3
- D340,296 S * 10/1993 Bachetzky et al. D26/3

- D498,311 S * 11/2004 Leung et al. D26/3
- D513,079 S * 12/2005 Kluijfhout et al. D26/3

* cited by examiner

Primary Examiner—Lou Zarfaz
Assistant Examiner—Susan E Krakower
(74) *Attorney, Agent, or Firm*—McDermott Will & Emery
LLP

(57) **CLAIM**

We claim the ornamental design for a lamp, as shown and described.

DESCRIPTION

FIG. 1 is a perspective view of the lamp of my new design;
FIG. 2 is a front elevational view thereof;
FIG. 3 is a rear elevational view thereof;
FIG. 4 is a side elevational view thereof, all other side views
are identical;
FIG. 5 is a top plan view thereof; and,
FIG. 6 is a bottom plan view thereof.

Features shown in broken lines in the drawings are not part
of the claim.

The broken line showing of a fluorescent light bulb and end
tabs are included for the purpose of illustrating environmen-
tal structure and forms no part of the claimed design.

1 Claim, 1 Drawing Sheet

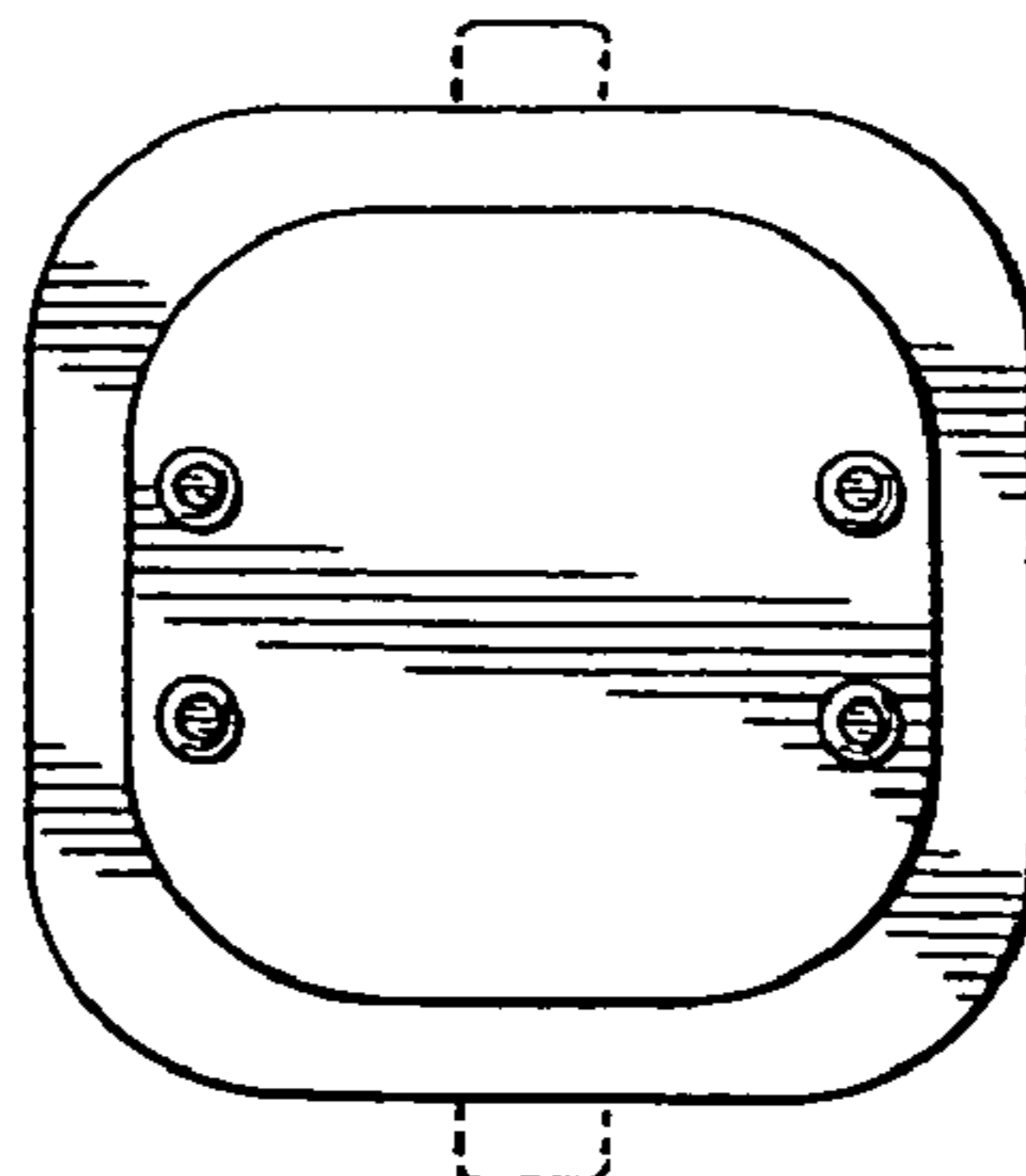
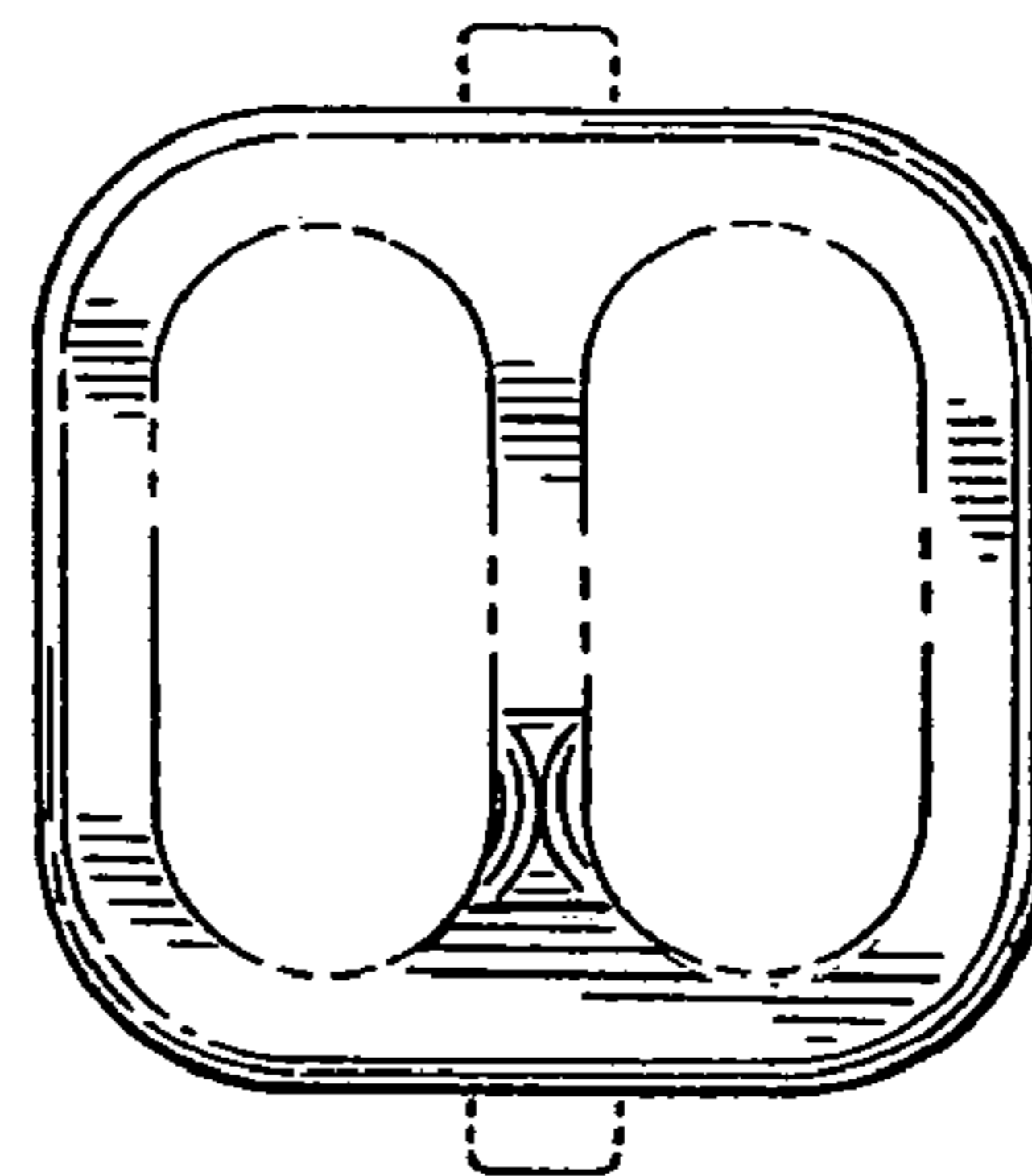
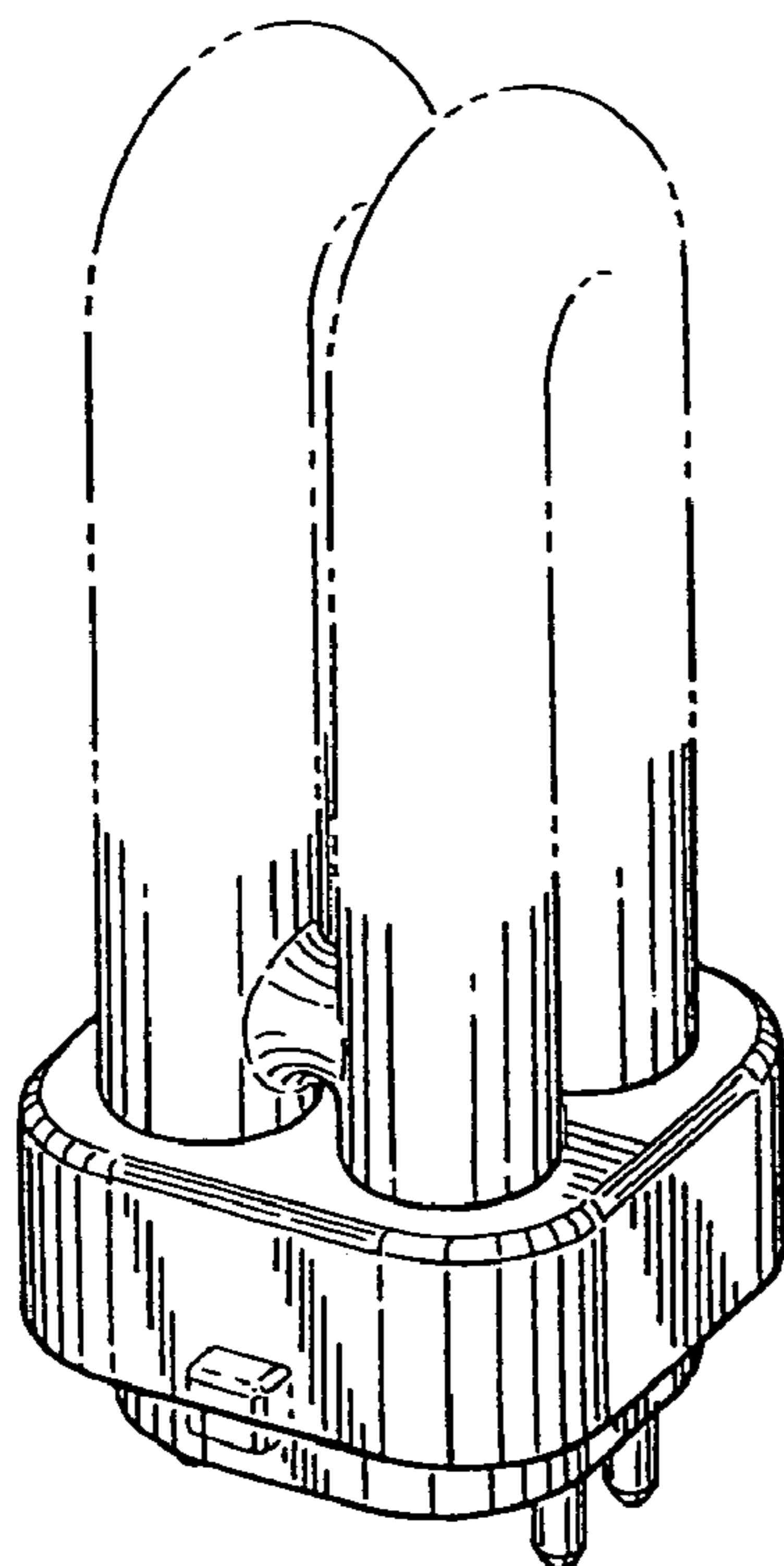


FIG. 1

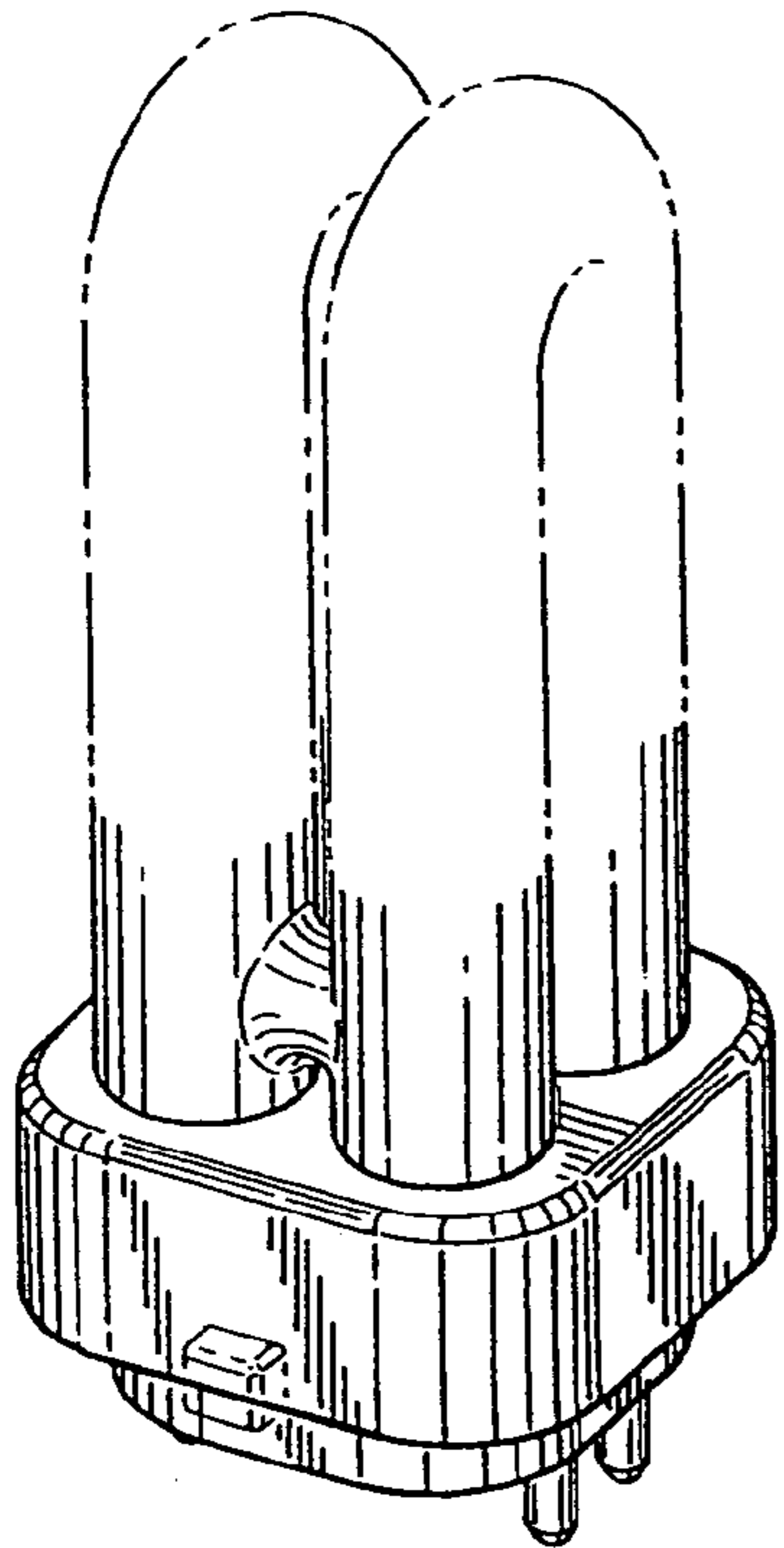


FIG. 2

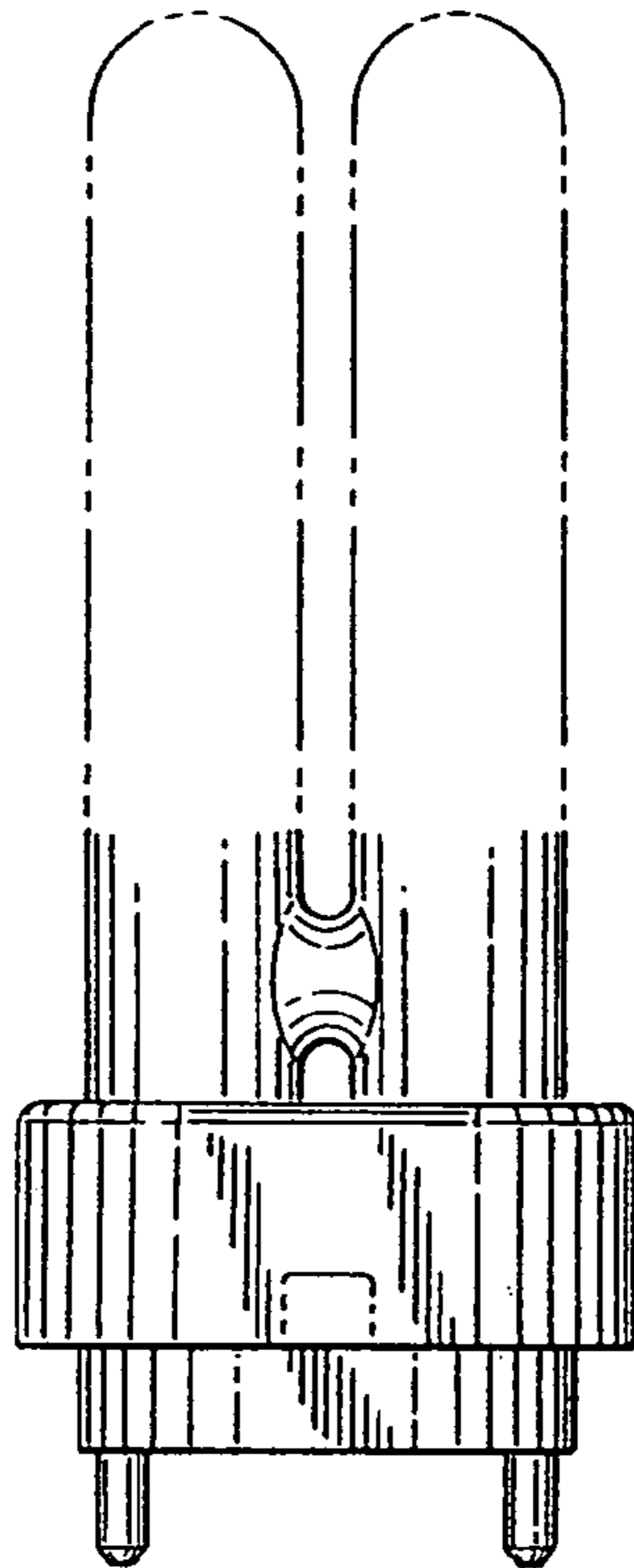


FIG. 3

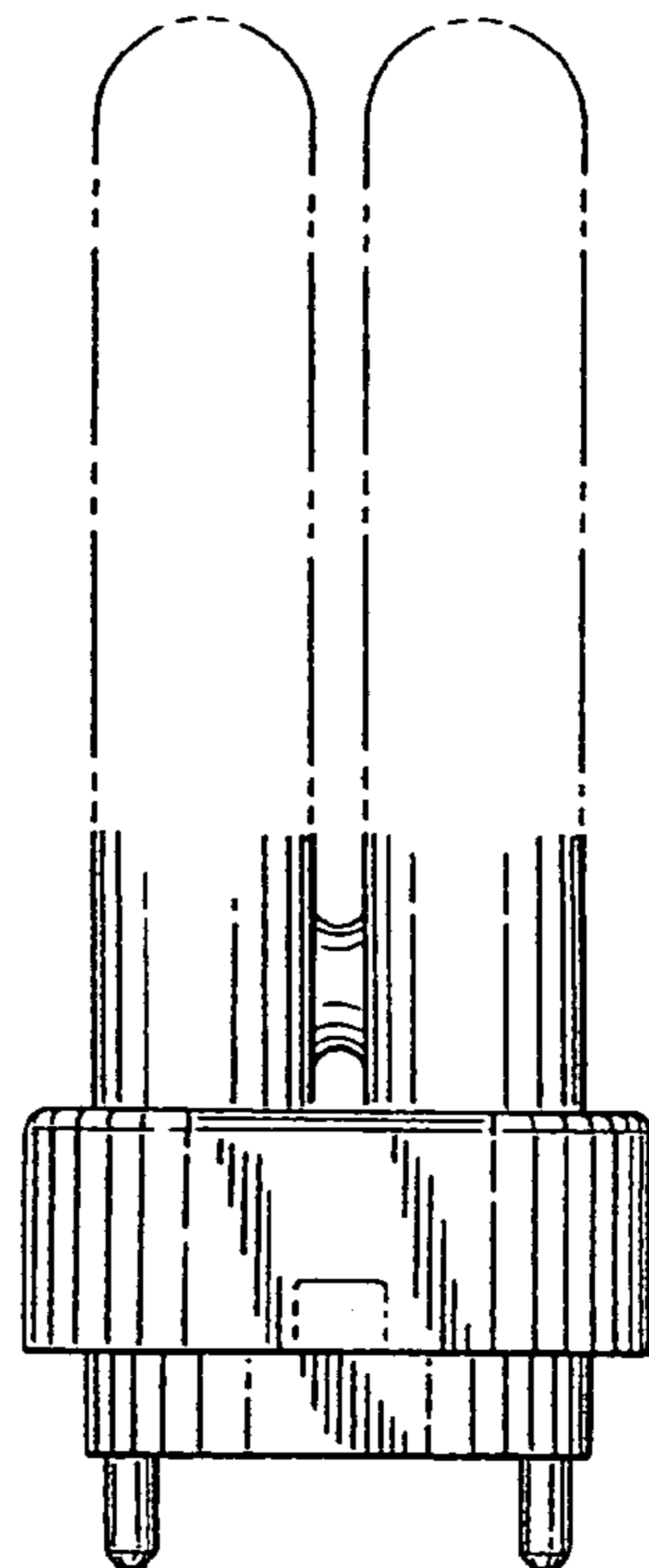


FIG. 4

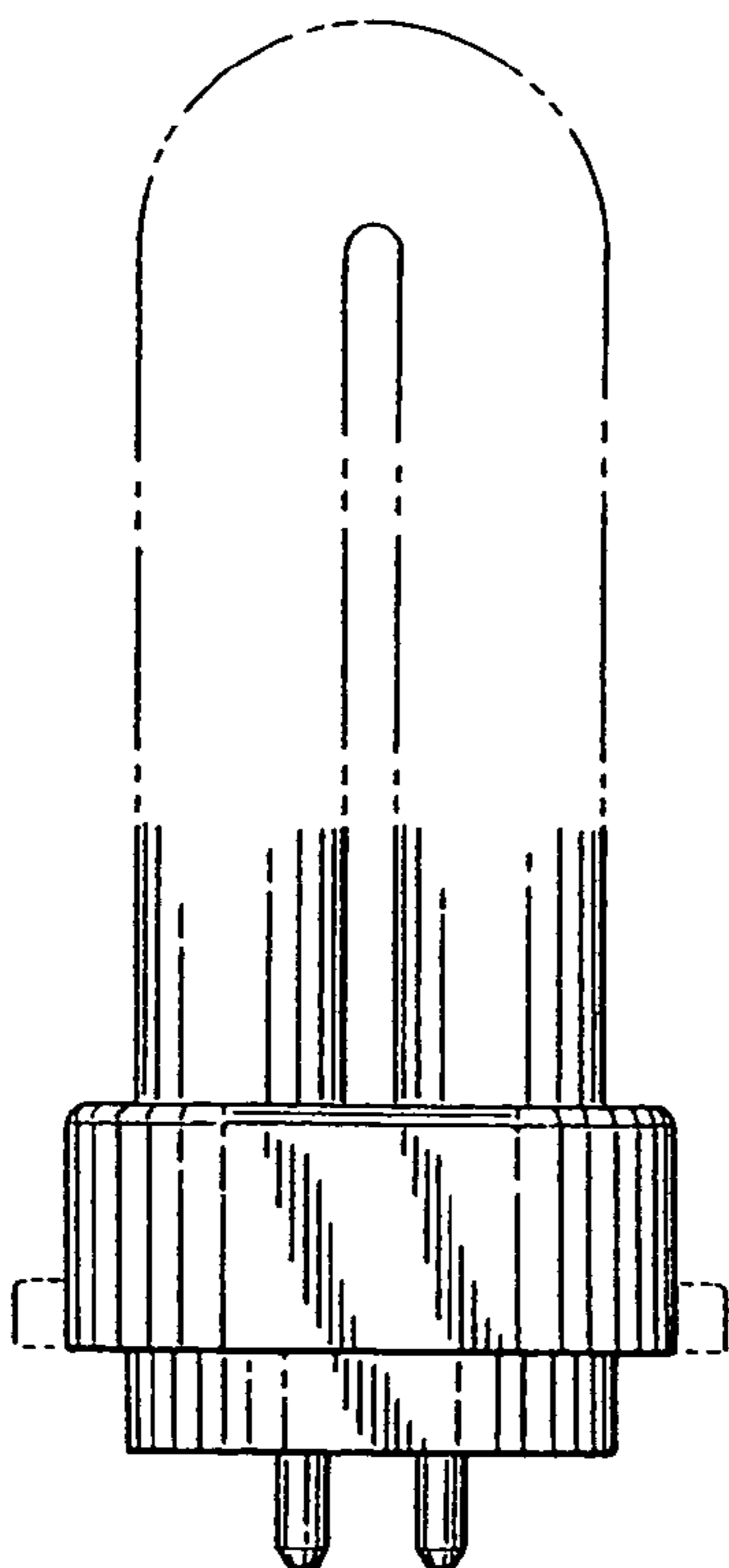


FIG. 5

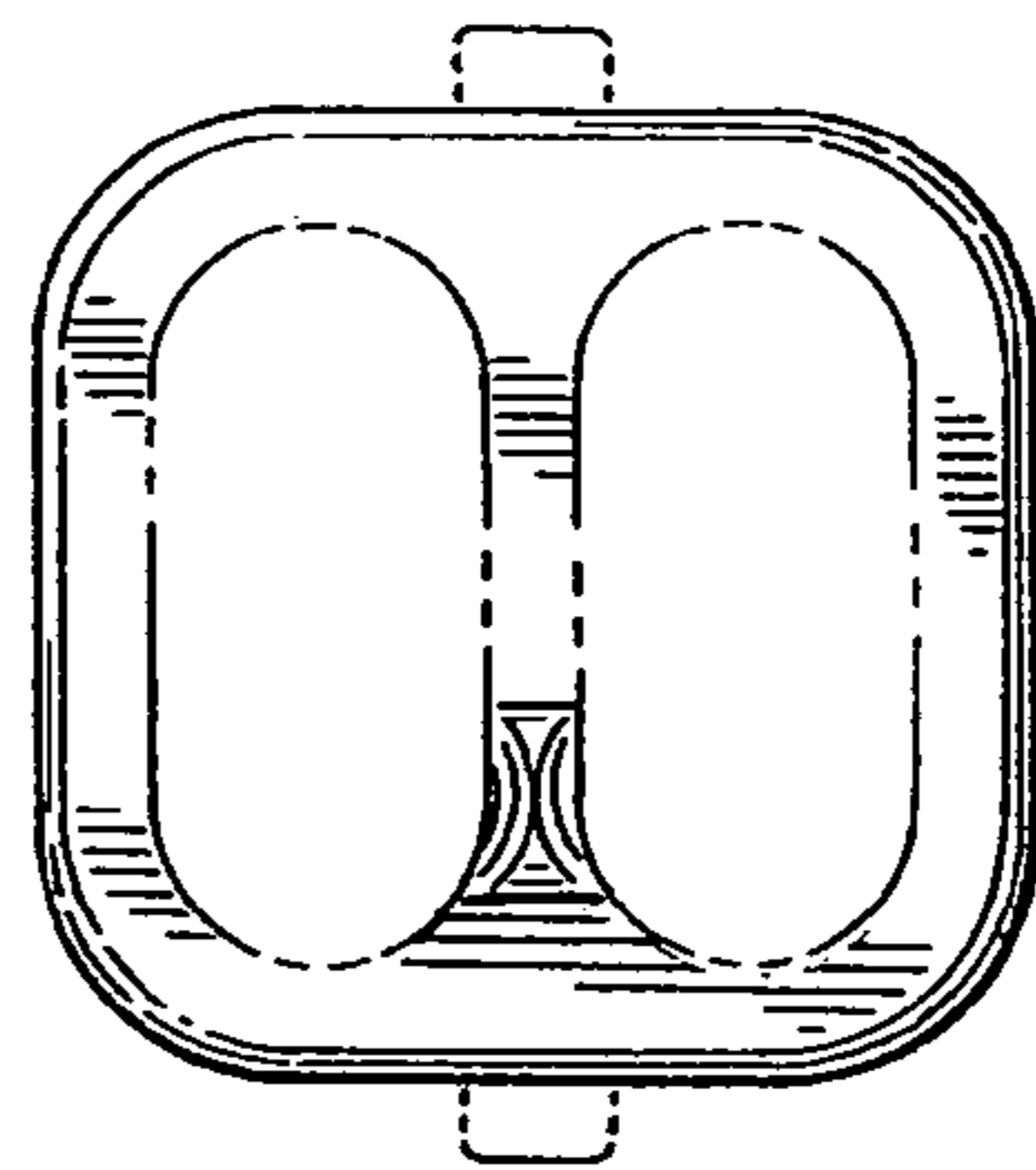


FIG. 6

