



US00D548368S

(12) **United States Design Patent**
Hale et al.

(10) **Patent No.:** **US D548,368 S**

(45) **Date of Patent:** **** Aug. 7, 2007**

(54) **LAWN EDGING DEVICE**

(75) Inventors: **Glen H. Hale**, Marietta, OH (US);
David Keeley, Marietta, OH (US)

(73) Assignee: **Dimex, LLC**, Marietta, OH (US)

(**) Term: **14 Years**

(21) Appl. No.: **29/249,423**

(22) Filed: **Oct. 5, 2006**

Related U.S. Application Data

(62) Division of application No. 11/211,290, filed on Aug. 25, 2005.

(51) **LOC (8) Cl.** **25-01**

(52) **U.S. Cl.** **D25/121; D25/164**

(58) **Field of Classification Search** D25/164,
D25/121; 47/32.4, 32.7, 33, 47;
See application file for complete search history.

(56) **References Cited**

U.S. PATENT DOCUMENTS

992,529 A	5/1911	Abraham
1,666,613 A	4/1928	Woods
2,809,809 A	10/1957	Richard
2,877,600 A	3/1959	Slate
D185,236 S	5/1959	Reese
3,332,197 A	7/1967	Hinkle
3,604,164 A	9/1971	Mason
3,619,944 A	11/1971	Matvey
3,788,001 A	1/1974	Balfanz, Jr.
4,202,145 A	5/1980	Coulter et al.
4,628,632 A	12/1986	Zwier
4,761,923 A	8/1988	Reum et al.
5,020,272 A	6/1991	Herrema et al.
5,117,583 A	6/1992	Reum
D329,707 S	9/1992	Embree et al.
5,152,507 A	10/1992	Lee
5,301,461 A	4/1994	Zwier

5,442,877 A	8/1995	Lindhal
D366,191 S *	1/1996	Gay D8/1
D408,558 S	4/1999	Levy
5,941,018 A	8/1999	Herrema
6,012,254 A	1/2000	Gaston
6,226,934 B1	5/2001	Gaston

(Continued)

FOREIGN PATENT DOCUMENTS

GB	2369979 A	6/2002
JP	2002253060 A	9/2002
JP	3490497 B2	1/2004

Primary Examiner—Doris Clark

(74) *Attorney, Agent, or Firm*—Wood, Herron & Evans, LLP

(57) **CLAIM**

The ornamental design for a lawn edging device, as shown and described.

DESCRIPTION

FIG. 1 is a front perspective view of a lawn edging device according to our new design and broken in the center thereof to show indeterminate length;

FIG. 2 is a rear perspective view of the lawn edging device of FIG. 1 broken in the center thereof to show indeterminate length;

FIG. 3 is a front elevational view thereof;

FIG. 4 is a left side elevational view thereof;

FIG. 5 is a rear elevational view thereof;

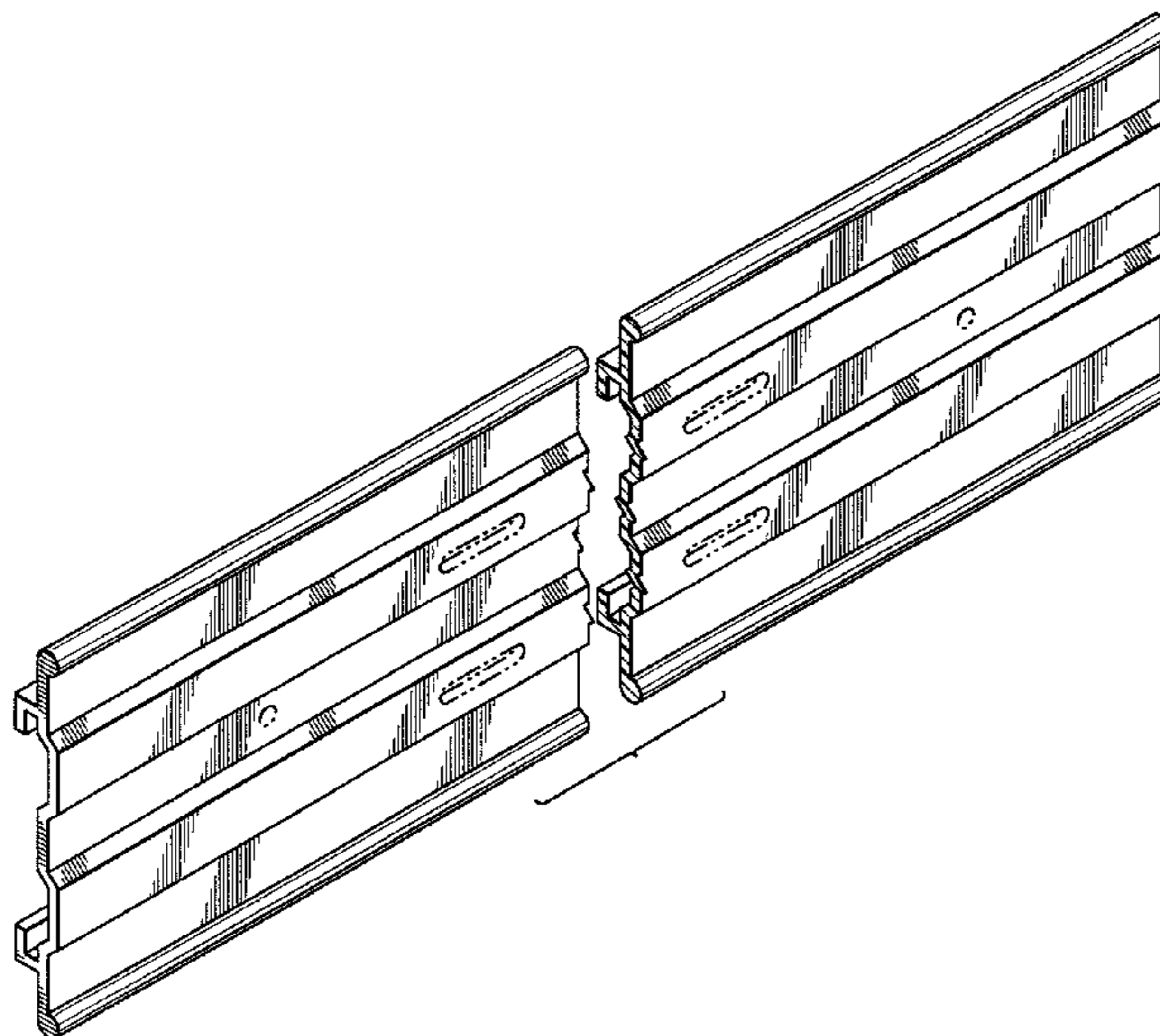
FIG. 6 is a right side elevational view thereof;

FIG. 7 is a top plan view thereof; and,

FIG. 8 is a bottom plan view thereof.

The broken line showing is included for illustrative purposes only and forms no part of the claimed design.

1 Claim, 5 Drawing Sheets



US D548,368 S

Page 2

U.S. PATENT DOCUMENTS

6,324,782 B1	12/2001	Gaston	6,449,897 B1	9/2002	Gaston	
6,345,465 B1	2/2002	Allen et al.	6,619,565 B1 *	9/2003	Abbott 239/273
6,379,078 B1	4/2002	Zwier	6,629,383 B2	10/2003	Allen et al.	
D462,788 S *	9/2002	Thornton et al.	D489,465 S	5/2004	Allsopp	
D463,581 S	9/2002	Mann	6,779,297 B2	8/2004	Conde	

* cited by examiner

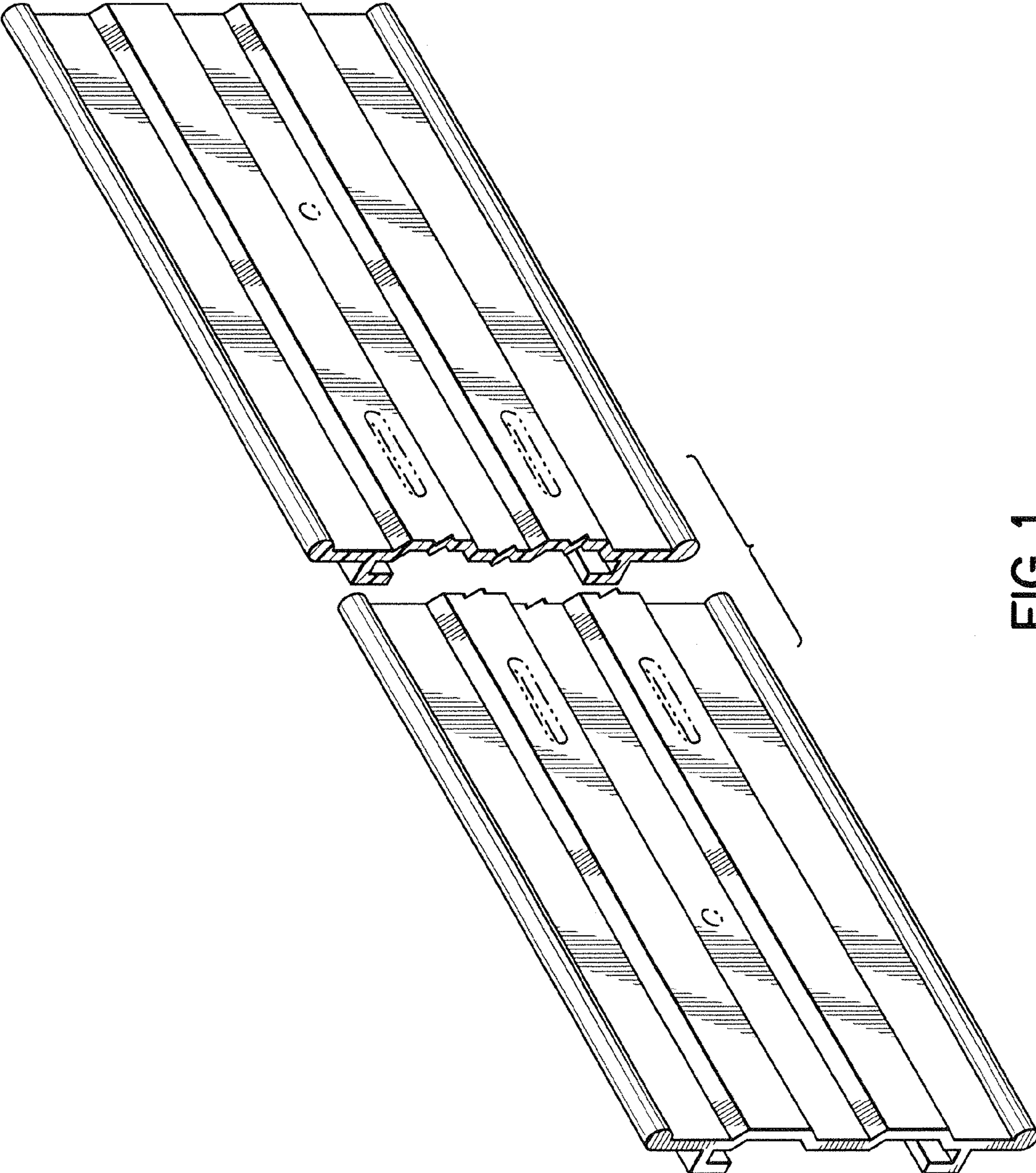


FIG. 1

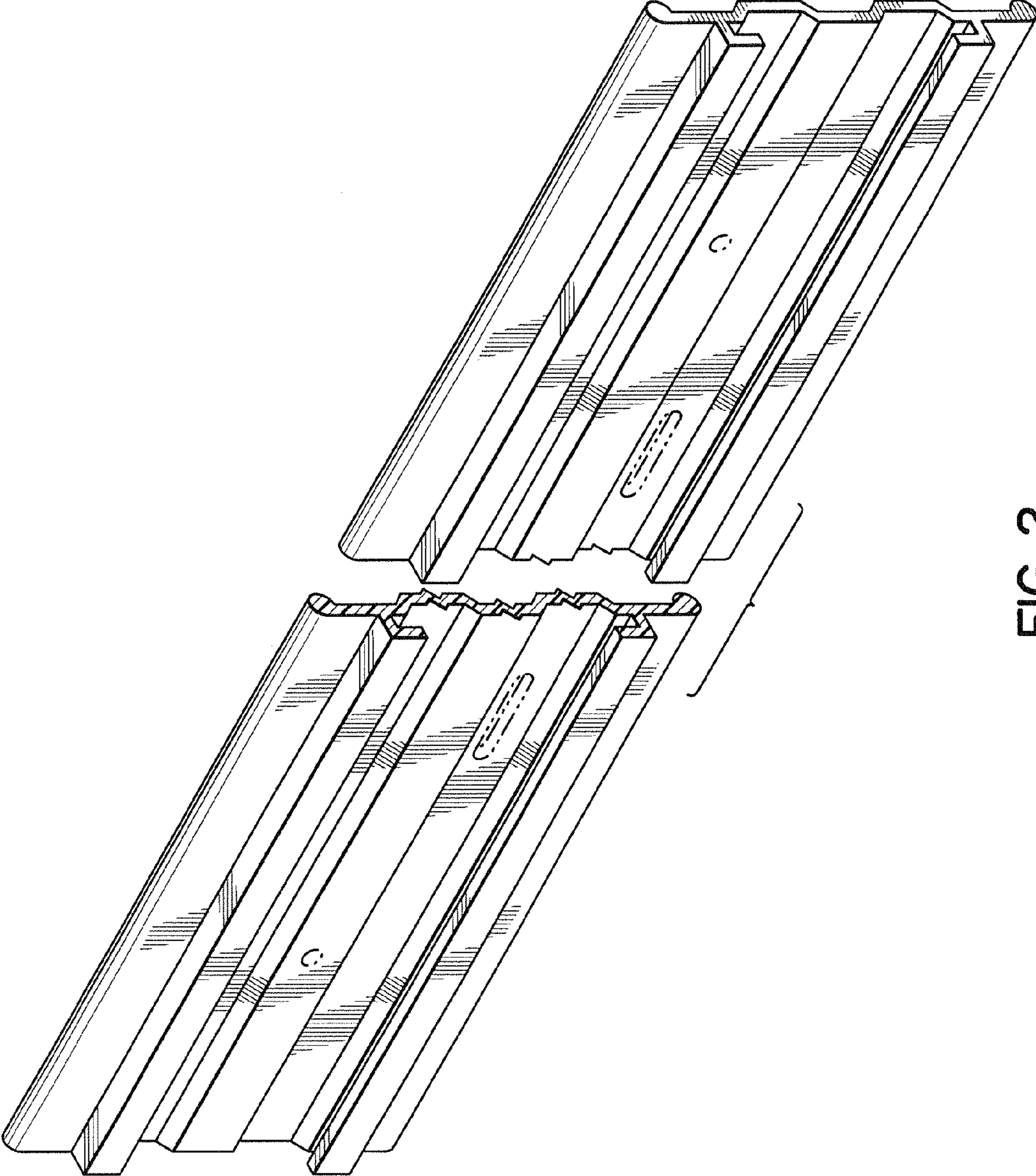


FIG. 2

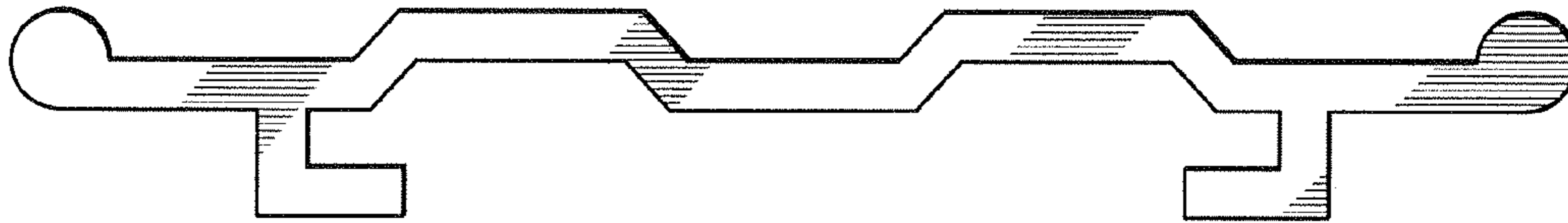


FIG. 4

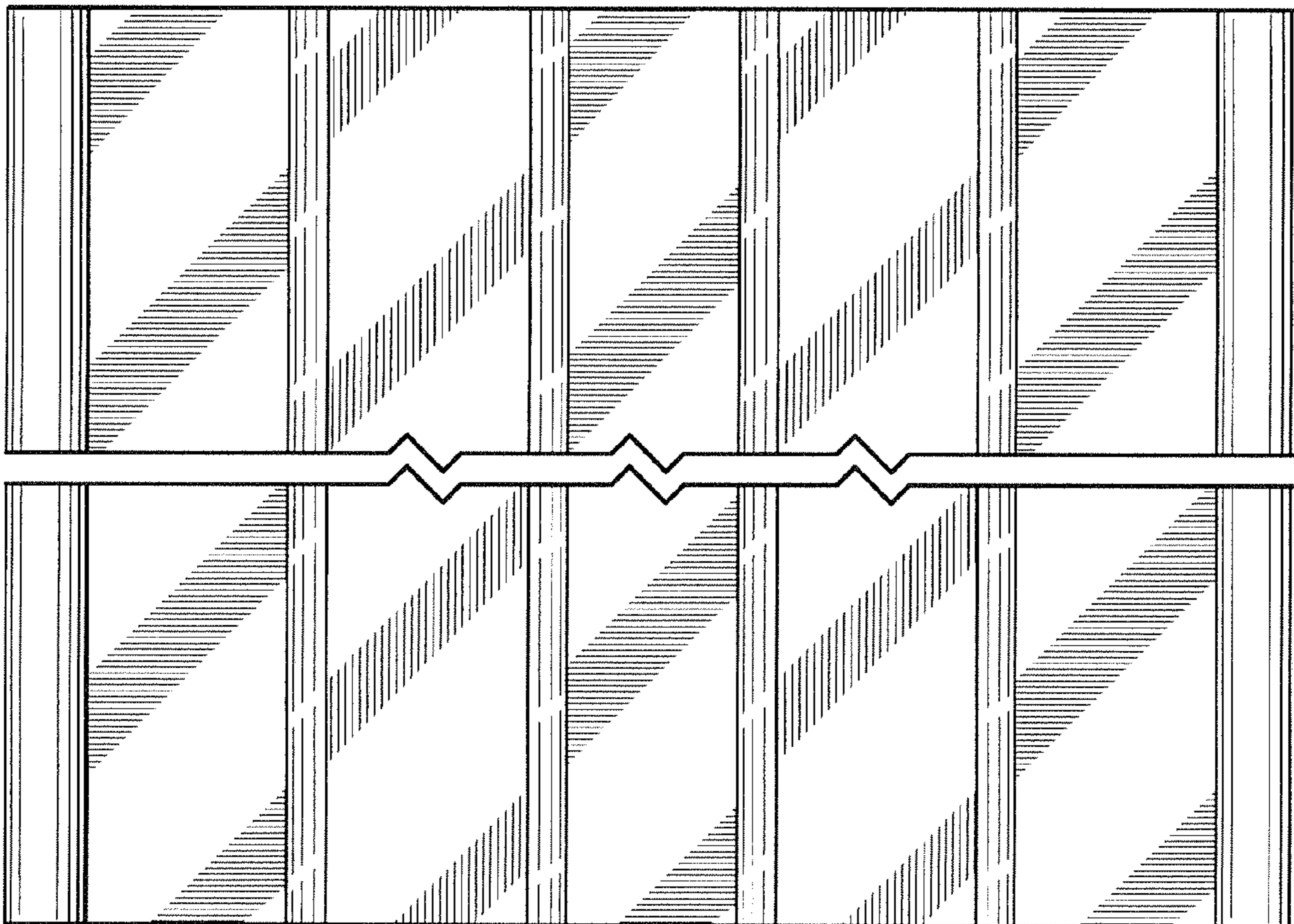


FIG. 3

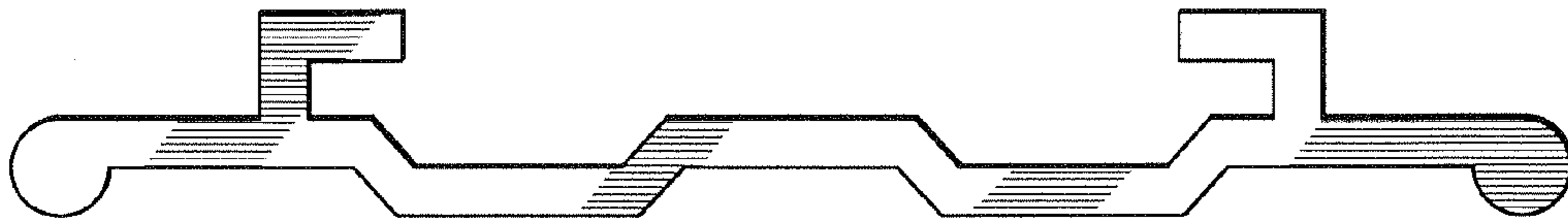


FIG. 6

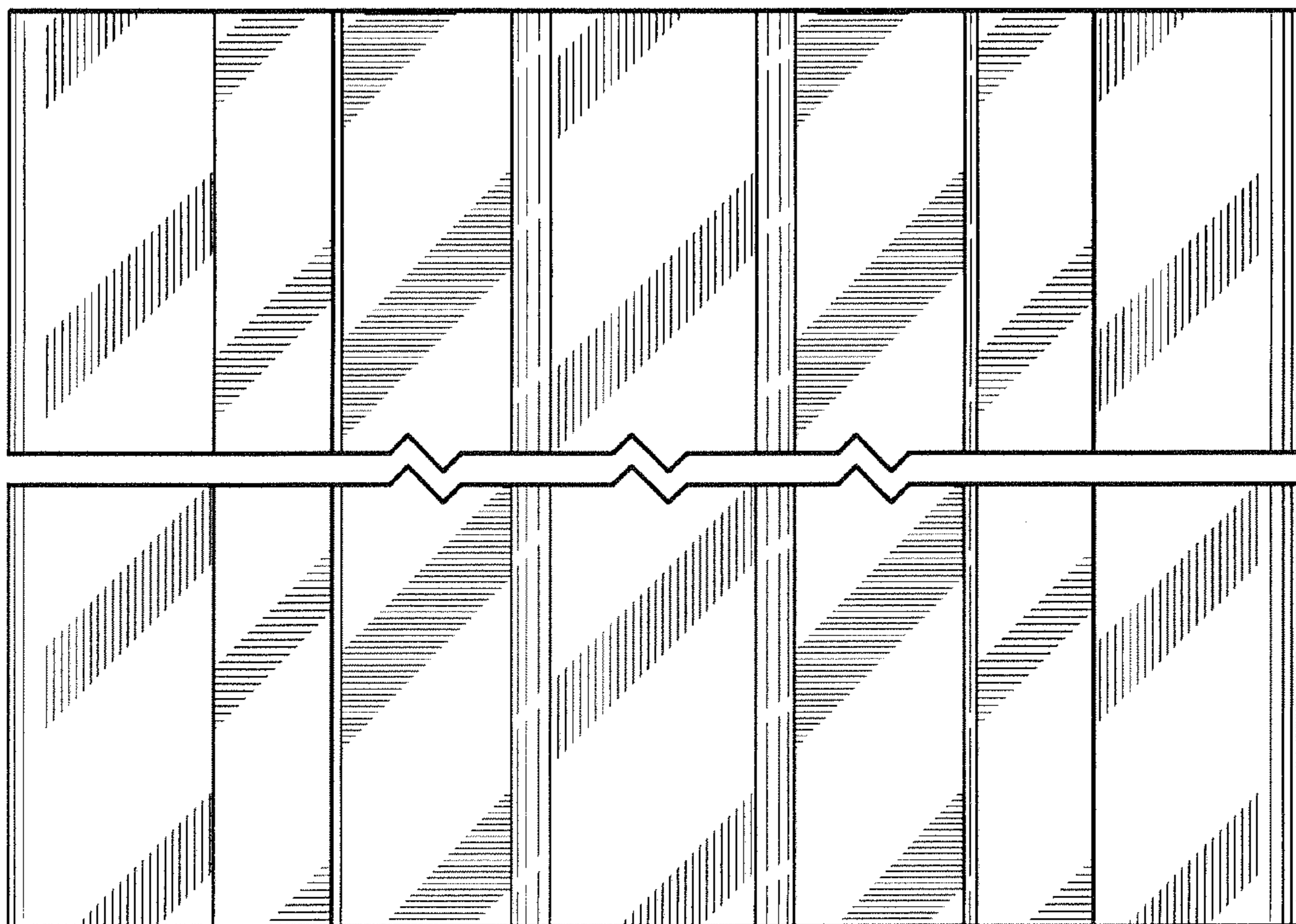


FIG. 5

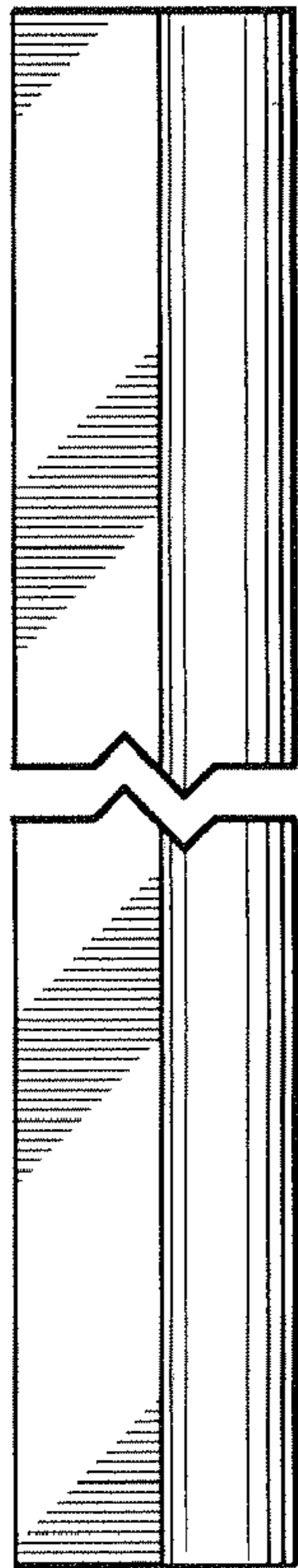


FIG. 7

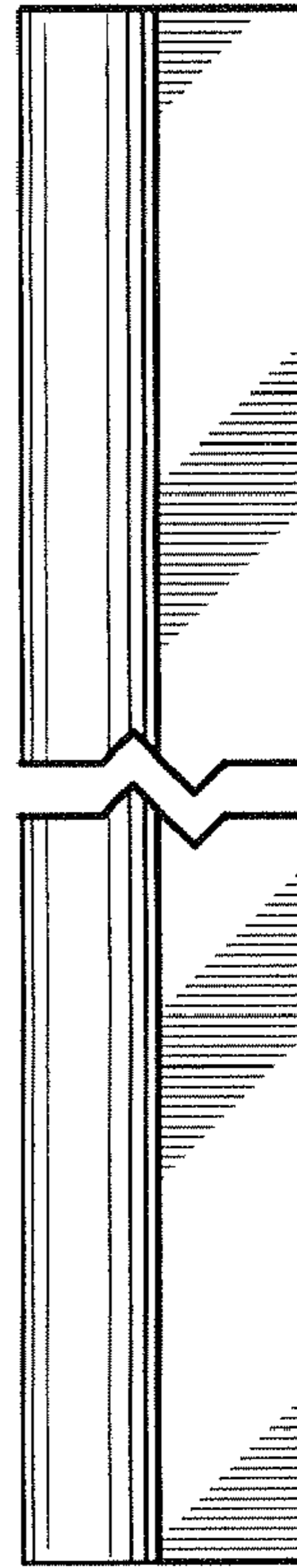


FIG. 8