

US00D548367S

(12) **United States Design Patent** (10) **Patent No.:** **US D548,367 S**
Price (45) **Date of Patent:** **** Aug. 7, 2007**

(54) **PORTION OF A RETAINING WALL BLOCK**

5,551,809 A 9/1996 Forsberg
5,653,558 A 8/1997 Price
5,673,530 A 10/1997 Bailey, II
5,704,183 A * 1/1998 Woolford 52/604

(75) Inventor: **Brian A. Price**, Rochester, MN (US)

(73) Assignee: **Mortarless Technologies, LLC**,
Rochester, MN (US)

(Continued)

(**) Term: **14 Years**

OTHER PUBLICATIONS

(21) Appl. No.: **29/242,473**

Brochure, Keysystem 1, Retaining Wall System, copyrighted 2000,
pp. 1-8.

(22) Filed: **Nov. 12, 2005**

(Continued)

(51) **LOC (8) Cl.** **25-01**

Primary Examiner—Louis S. Zarfaz

(52) **U.S. Cl.** **D25/113**

Assistant Examiner—Gregory Andoll

(58) **Field of Classification Search** D25/112–118;
D21/484–490, 499–502; 405/15–16, 33,
405/35, 284–286; 404/29–42; 52/503, 504,
52/575, 596–599, 603–605, 608, 612

(74) *Attorney, Agent, or Firm*—Patterson, Thuente, Skaar &
Christensen, P.A.

See application file for complete search history.

(57) **CLAIM**

(56) **References Cited**

The ornamental design for the portion of a retaining wall
block, as shown and described.

U.S. PATENT DOCUMENTS

DESCRIPTION

751,346 A	2/1904	Schall	
1,526,730 A	2/1925	Zottoli	
1,727,362 A	9/1929	Bone	
4,123,881 A	11/1978	Muse	
4,470,728 A	9/1984	Broadbent	
4,592,678 A	6/1986	McNinch, Jr. et al.	
4,909,010 A	3/1990	Gravier	
4,914,876 A	4/1990	Forsberg	
4,920,712 A	5/1990	Dean, Jr.	
D317,048 S *	5/1991	Forsberg D25/114
5,044,834 A	9/1991	Janopaul, Jr.	
5,064,313 A	11/1991	Risi et al.	
5,145,288 A	9/1992	Borcherdt	
5,163,261 A	11/1992	O'Neill	
5,337,527 A *	8/1994	Wagenaar 52/169.2
5,474,405 A	12/1995	Anderson et al.	
5,484,235 A	1/1996	Hilfiker et al.	
5,505,034 A	4/1996	Dueck	
5,511,910 A	4/1996	Scales	
5,540,525 A	7/1996	Miller et al.	

FIG. 1 is a front perspective bottom view of the ornamental
portion of a retaining wall block;

FIG. 2 is a side elevational view of the portion of the portion
of the retaining wall block of FIG. 1;

FIG. 3 is a front elevational view of the portion of the
retaining wall block of FIG. 1;

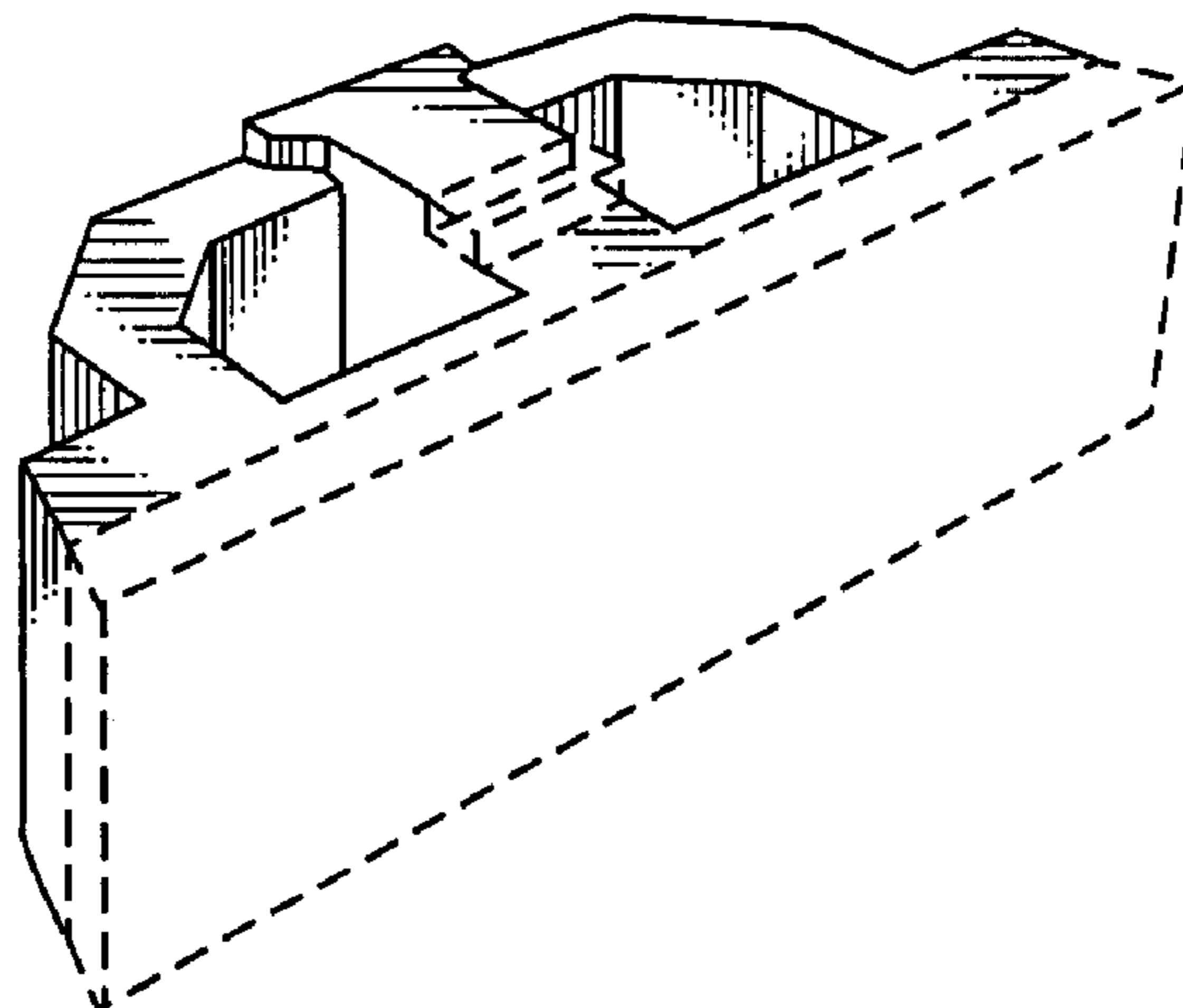
FIG. 4 is a top plan view of the portion of the retaining wall
block of FIG. 1;

FIG. 5 is a bottom plan view of the portion of the retaining
wall block of FIG. 1; and,

FIG. 6 is a rear elevational view of portion of the retaining
wall block of FIG. 1.

The broken lines showing the front and rear surface of the
portion of a retaining wall block are for illustrative purposes
only and form no part of the claimed design.

1 Claim, 1 Drawing Sheet



US D548,367 S

Page 2

U.S. PATENT DOCUMENTS

5,823,709 A 10/1998 Maher et al.
5,827,015 A 10/1998 Woolford et al.
D405,543 S * 2/1999 Shillingburg D25/114
5,913,790 A 6/1999 Dawson
5,951,210 A 9/1999 Maguire et al.
6,113,318 A 9/2000 Guth
6,168,353 B1 1/2001 Price
RE37,278 E 7/2001 Forsberg
6,336,773 B1 1/2002 Anderson et al.
D459,487 S * 6/2002 Bott D25/118
6,474,036 B2 11/2002 Martin et al.
6,536,994 B2 3/2003 Race
6,622,445 B1 9/2003 Shillingburg et al.
6,651,401 B2 * 11/2003 Price et al. 52/604
6,652,197 B2 * 11/2003 Shaw 405/286
6,792,731 B2 9/2004 Bott et al.

D497,399 S * 10/2004 May et al. D21/499
6,821,058 B1 11/2004 Dawson
D501,935 S 2/2005 Dawson et al.
7,096,635 B2 * 8/2006 Price et al. 52/604
D530,832 S * 10/2006 Rainey D25/114
2005/0016106 A1 1/2005 Dawson et al.

OTHER PUBLICATIONS

Case Study, Water Application, Keystone Retaining Wall System, Upper Cumberland River Flood Project, copyrighted 2000, pp. 1-4.
Case Study, Governmental Application, Keystone Retaining Wall System, Port of Seattle Terminal #5 & SW Harbor Reclamation, copyrighted 2000, pp. 1-4.
Keystone, Retaining Wall System, *The First to Last*, copyrighted 1997, pp. 1-19.

* cited by examiner

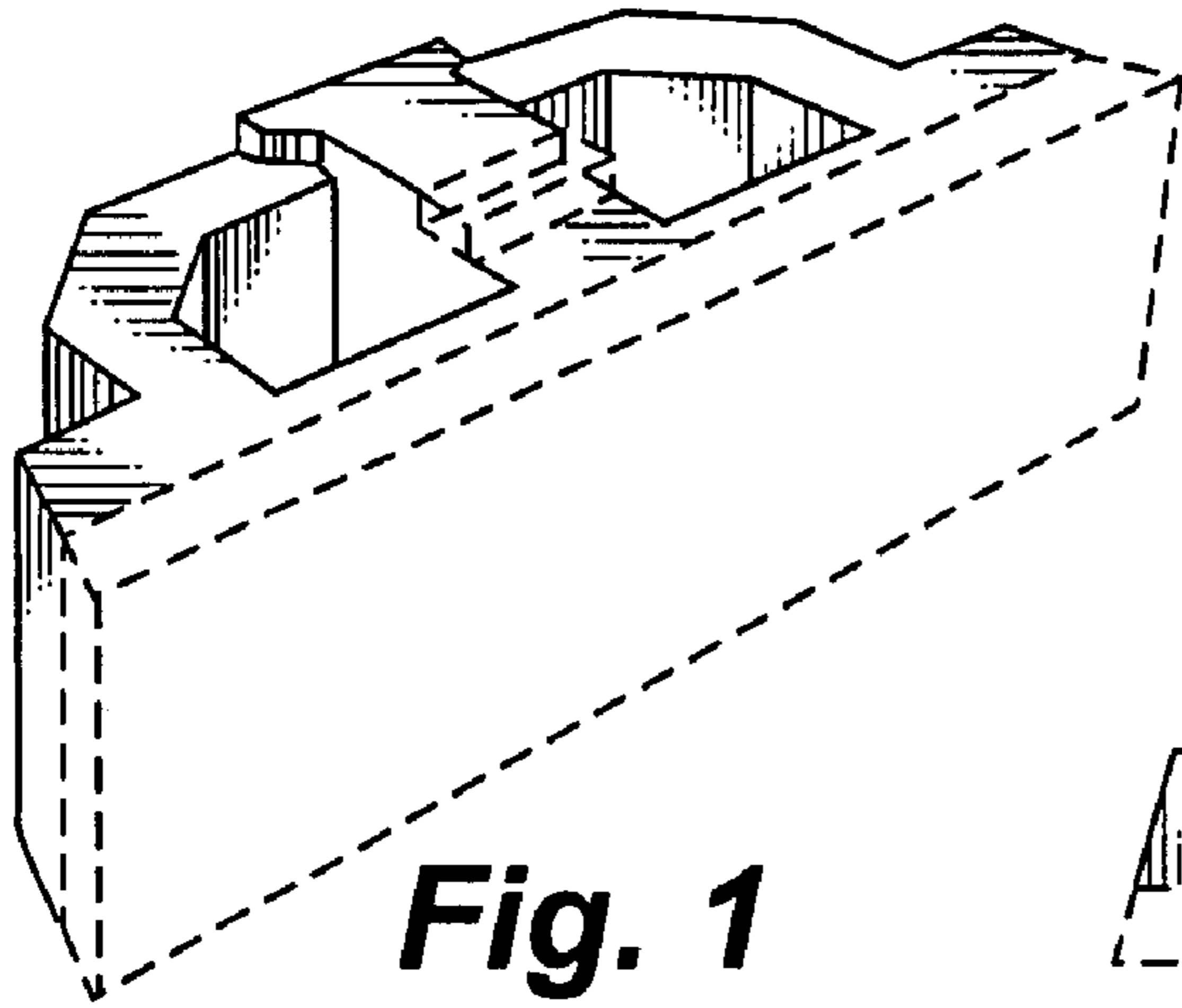


Fig. 1

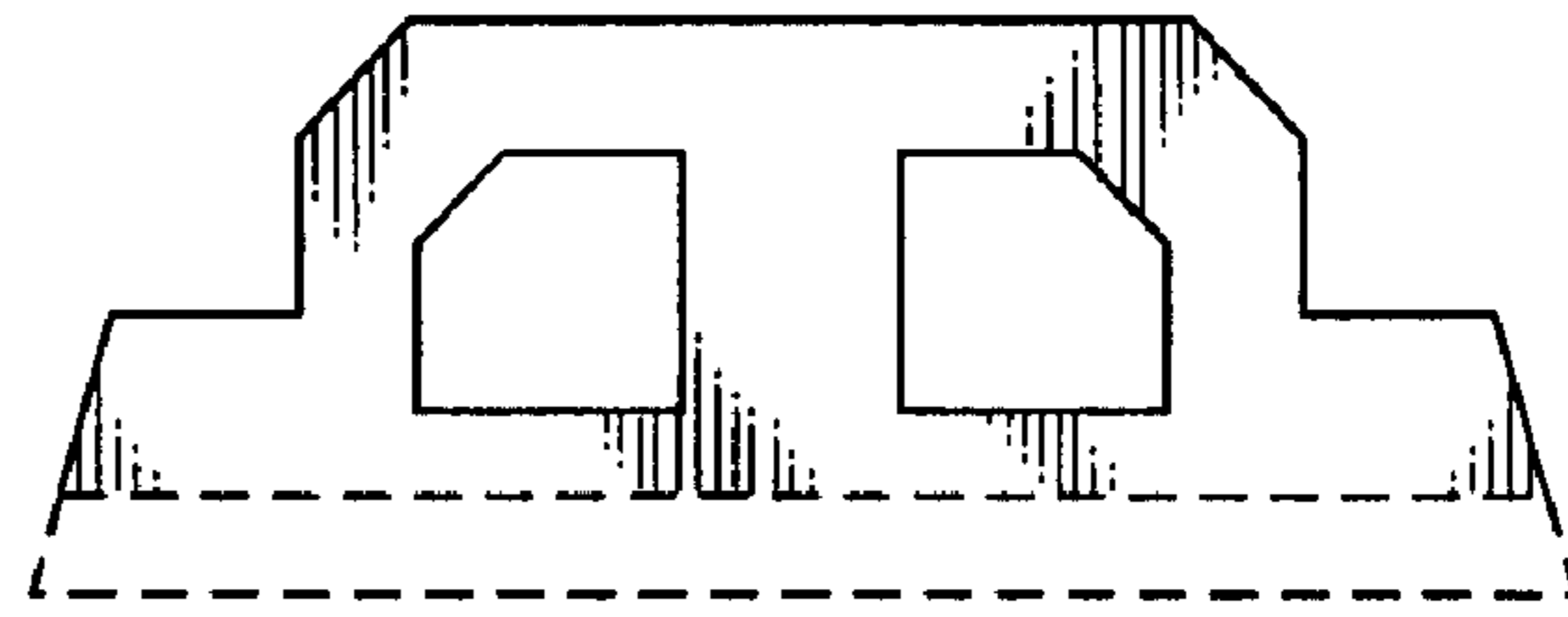


Fig. 2



Fig. 3

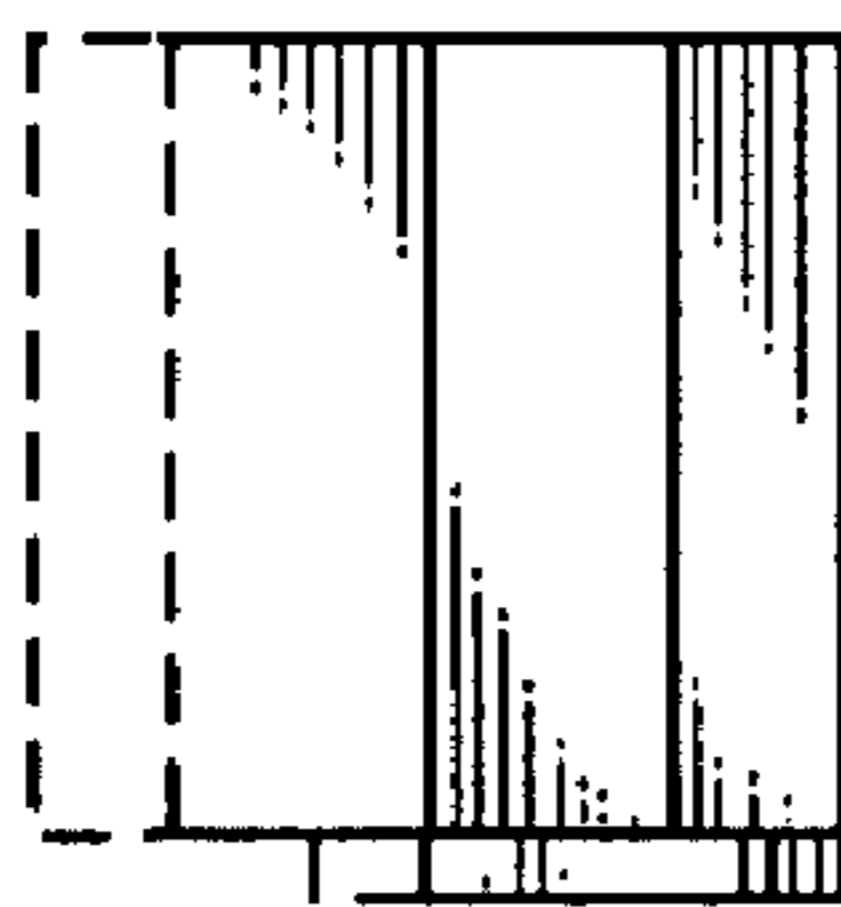


Fig. 4

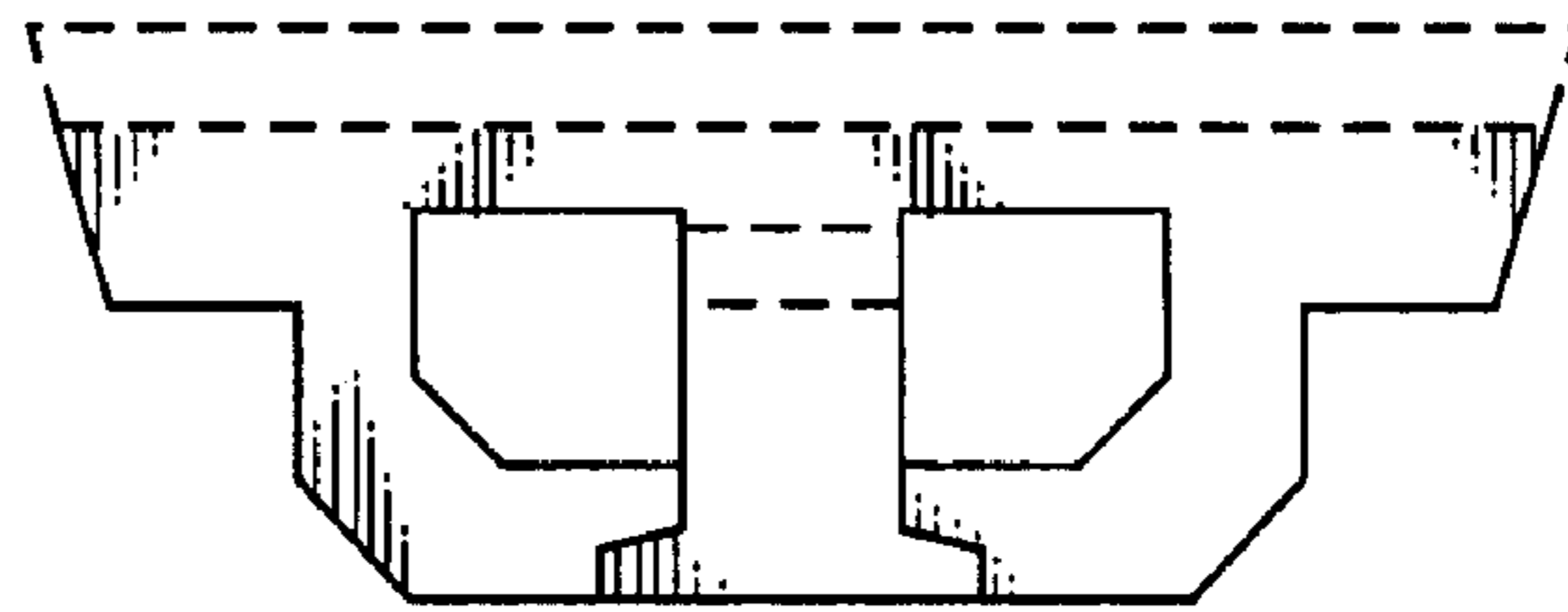


Fig. 5

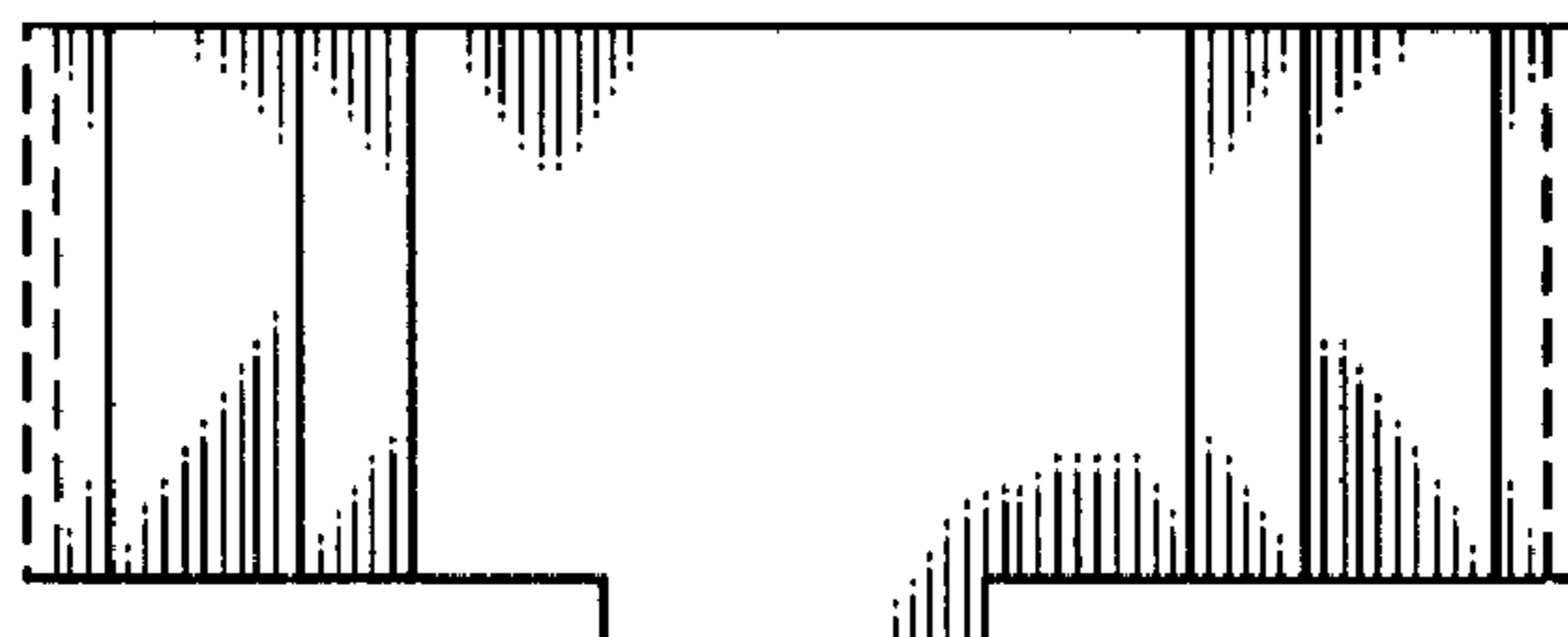


Fig. 6