

US00D548365S

(12) **United States Design Patent** (10) **Patent No.:** **US D548,365 S**  
**Price** (45) **Date of Patent:** **\*\* Aug. 7, 2007**

(54) **PORTION OF A RETAINING WALL BLOCK**

5,540,525 A 7/1996 Miller et al.

(75) Inventor: **Raymond R. Price**, Rochester, MN  
(US)

(Continued)

**FOREIGN PATENT DOCUMENTS**

(73) Assignee: **Mortarless Technologies, LLC**,  
Rochester, MN (US)

JP 54-107105 8/1979

(Continued)

(\*\*) Term: **14 Years**

**OTHER PUBLICATIONS**

(21) Appl. No.: **29/240,237**

Brochure, Keysystem 1, Retaining Wall System, copyrighted 2000,  
pp. 1-8.

(22) Filed: **Oct. 11, 2005**

(Continued)

(51) **LOC (8) Cl.** ..... **25-01**

(52) **U.S. Cl.** ..... **D25/113**

(58) **Field of Classification Search** ..... D25/112-118;  
D21/484-490, 499-502; 405/15-16, 33,  
405/35, 284-286; 404/29-42; 52/503, 504,  
52/575, 596-599, 603-605, 608, 612

See application file for complete search history.

*Primary Examiner*—Louis S. Zarfaz

*Assistant Examiner*—Gregory Andoll

(74) *Attorney, Agent, or Firm*—Patterson, Thunte, Skaar &  
Christensen, P.A.

(57) **CLAIM**

The ornamental design for the portion of a retaining wall  
block, as shown and described.

(56) **References Cited**

**U.S. PATENT DOCUMENTS**

751,346 A	2/1904	Schall	
1,526,730 A	2/1925	Zottoli	
1,727,362 A	9/1929	Bone	
4,123,881 A	11/1978	Muse	
4,470,728 A	9/1984	Broadbent	
4,592,678 A	6/1986	McNinch, Jr. et al.	
4,802,320 A	2/1989	Forsberg	
4,909,010 A	3/1990	Gravier	
4,914,876 A	4/1990	Forsberg	
4,920,712 A	5/1990	Dean, Jr.	
D317,048 S *	5/1991	Forsberg	D25/114
5,044,834 A	9/1991	Janopaul, Jr.	
5,064,313 A	11/1991	Risi et al.	
5,145,288 A	9/1992	Borcherdt	
5,163,261 A	11/1992	O'Neill	
5,337,527 A *	8/1994	Wagenaar	52/169.2
5,474,405 A	12/1995	Anderson et al.	
5,484,235 A	1/1996	Hilfiker et al.	
5,490,363 A	2/1996	Woolford	
5,505,034 A	4/1996	Dueck	
5,511,910 A	4/1996	Scales	

**DESCRIPTION**

FIG. 1 is a front perspective bottom view of the ornamental  
portion of a retaining wall block;

FIG. 2 is a side elevational view of the portion of the  
retaining wall block of FIG. 1;

FIG. 3 is a front elevational view of the portion of the  
retaining wall block of FIG. 1;

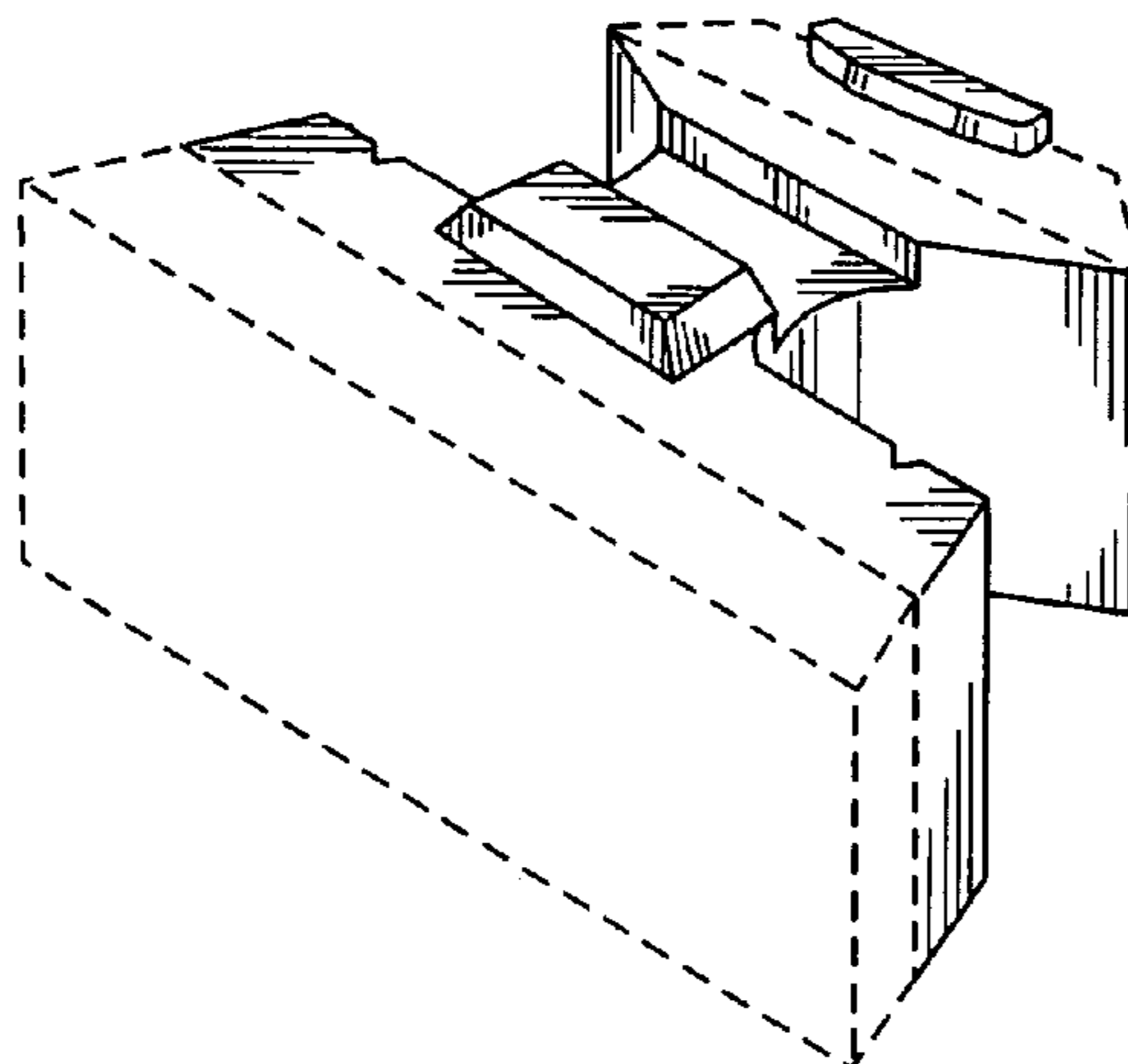
FIG. 4 is a top plan view of the portion of the retaining wall  
block of FIG. 1;

FIG. 5 is a bottom plan view of the portion of the retaining  
wall block of FIG. 1; and,

FIG. 6 is a rear elevational view of portion of the retaining  
wall block of FIG. 1.

The broken lines showing the front and rear surfaces of the  
portion of a retaining wall block are for illustrative purposes  
only and form no part of the claimed design.

**1 Claim, 1 Drawing Sheet**



# US D548,365 S

Page 2

## U.S. PATENT DOCUMENTS

5,551,809 A 9/1996 Forsberg  
5,653,558 A 8/1997 Price  
5,673,530 A 10/1997 Bailey, II  
5,704,183 A \* 1/1998 Woolford ..... 52/604  
5,709,062 A 1/1998 Woolford  
5,711,129 A 1/1998 Woolford  
5,795,105 A 8/1998 Guth  
5,823,709 A 10/1998 Maher et al.  
5,827,015 A 10/1998 Woolford et al.  
D405,543 S \* 2/1999 Shillingburg ..... D25/114  
5,913,790 A 6/1999 Dawson  
6,113,318 A 9/2000 Guth  
6,168,353 B1 1/2001 Price  
6,168,354 B1 1/2001 Martin et al.  
RE37,278 E 7/2001 Forsberg  
6,336,773 B1 1/2002 Anderson et al.  
D459,487 S \* 6/2002 Bott ..... D25/118  
6,474,036 B2 11/2002 Martin et al.  
6,536,994 B2 3/2003 Race  
6,622,445 B1 9/2003 Shillingburg et al.  
6,641,334 B2 11/2003 Woolford  
6,651,401 B2 \* 11/2003 Price et al. .... 52/604  
6,652,197 B2 \* 11/2003 Shaw ..... 405/286

6,701,687 B1 3/2004 Shillingburg  
6,792,731 B2 9/2004 Bott et al.  
D497,399 S \* 10/2004 May et al. .... D21/499  
D501,935 S 2/2005 Dawson et al.  
D508,739 S 8/2005 Shillingburg  
D509,911 S 9/2005 Shillingburg  
7,096,635 B2 \* 8/2006 Price et al. .... 52/604  
D530,832 S \* 10/2006 Rainey ..... D25/114  
2005/0016106 A1 1/2005 Dawson et al.

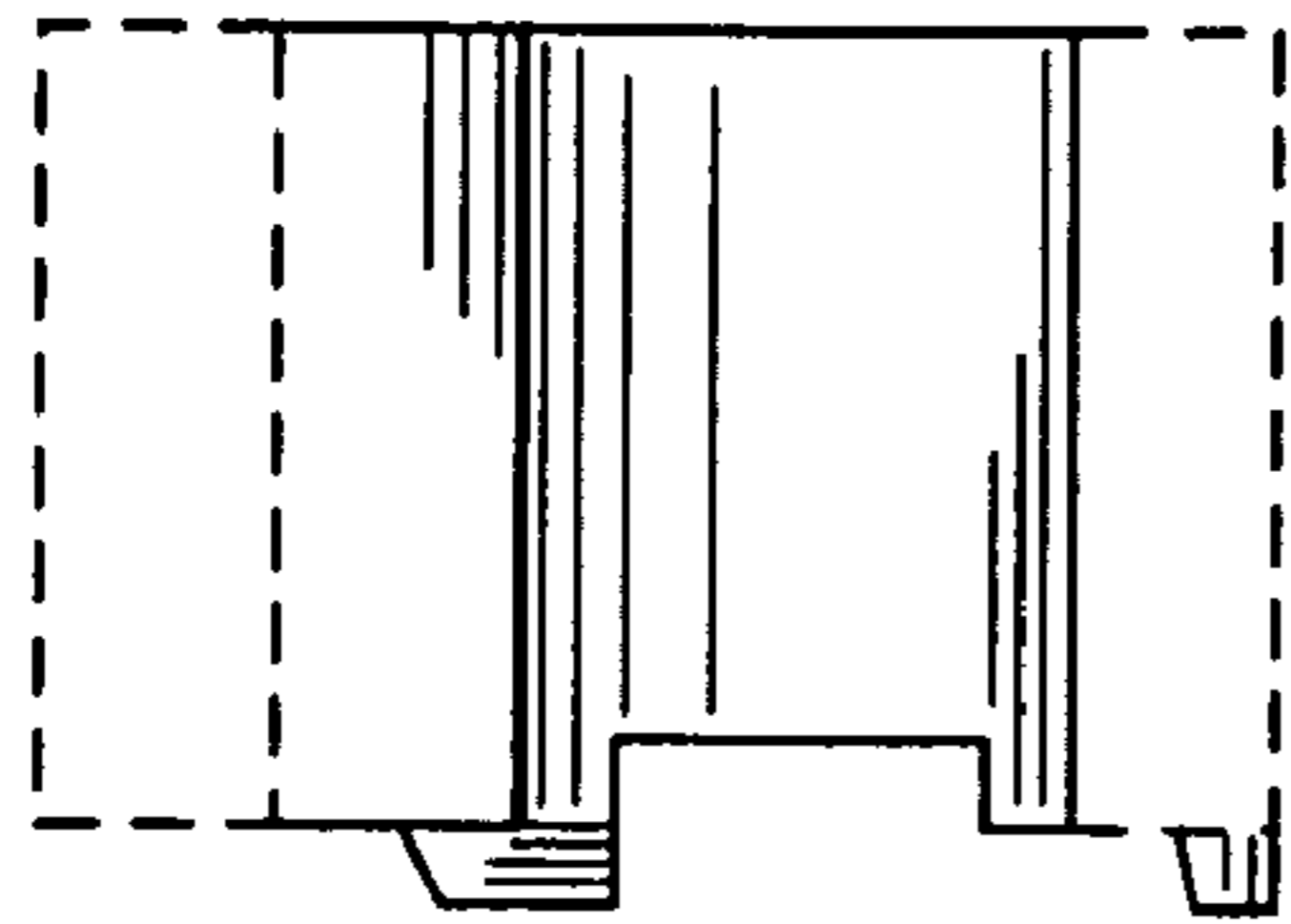
## FOREIGN PATENT DOCUMENTS

JP 54-107106 8/1979  
JP 59-167842 9/1984

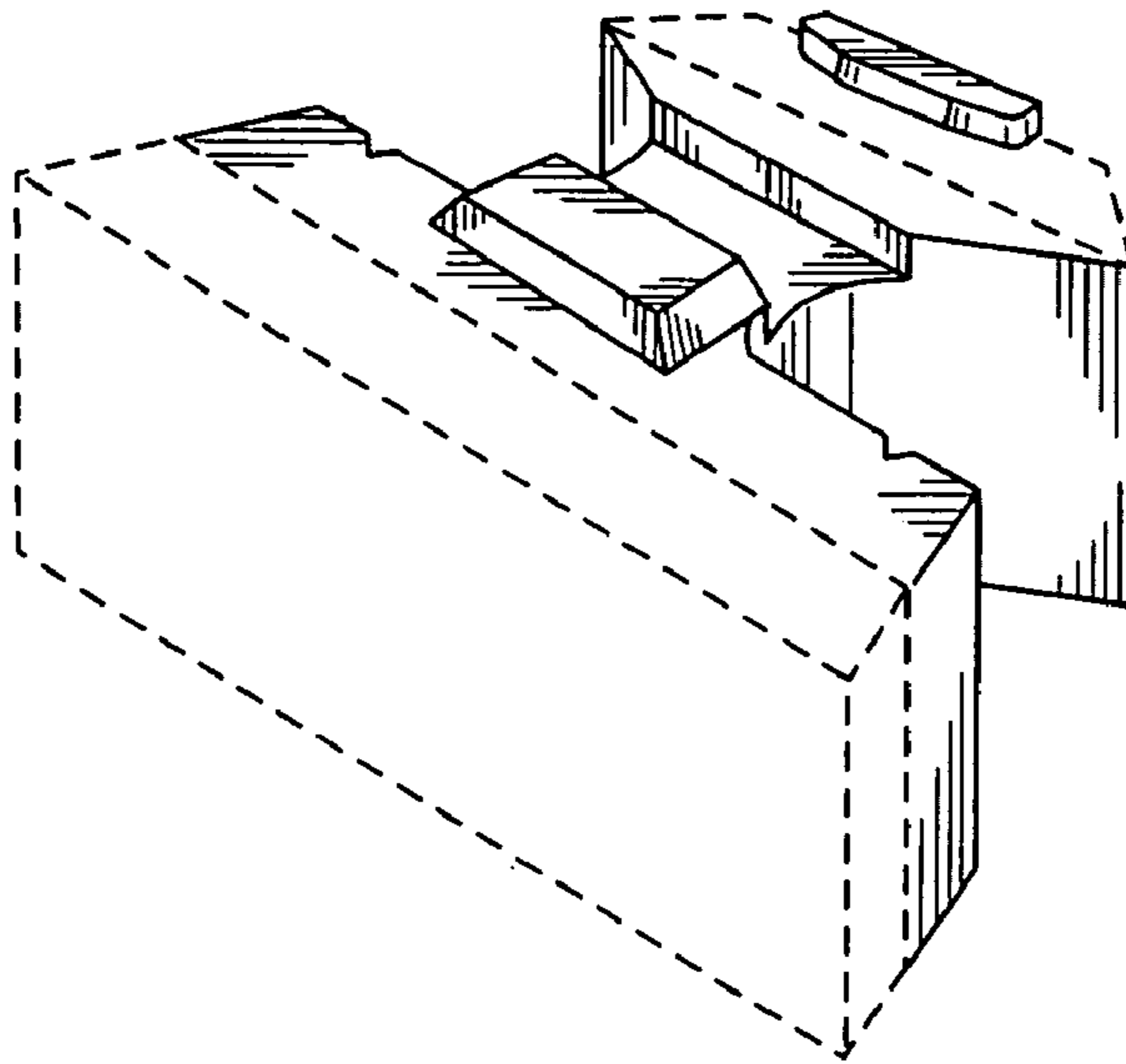
## OTHER PUBLICATIONS

Case Study, Water Application, Keystone Retaining Wall System, Upper Cumberland River Flood Project, copyrighted 2000, pp. 1-4.  
Case Study, Governmental Application, Keystone Retaining Wall System, Port of Seattle Terminal #5 & SW Harbor Reclamation, copyrighted 2000, pp. 1-4.  
Keystone, Retaining Wall System, *The First to Last*, copyrighted 1997, pp. 1-19.

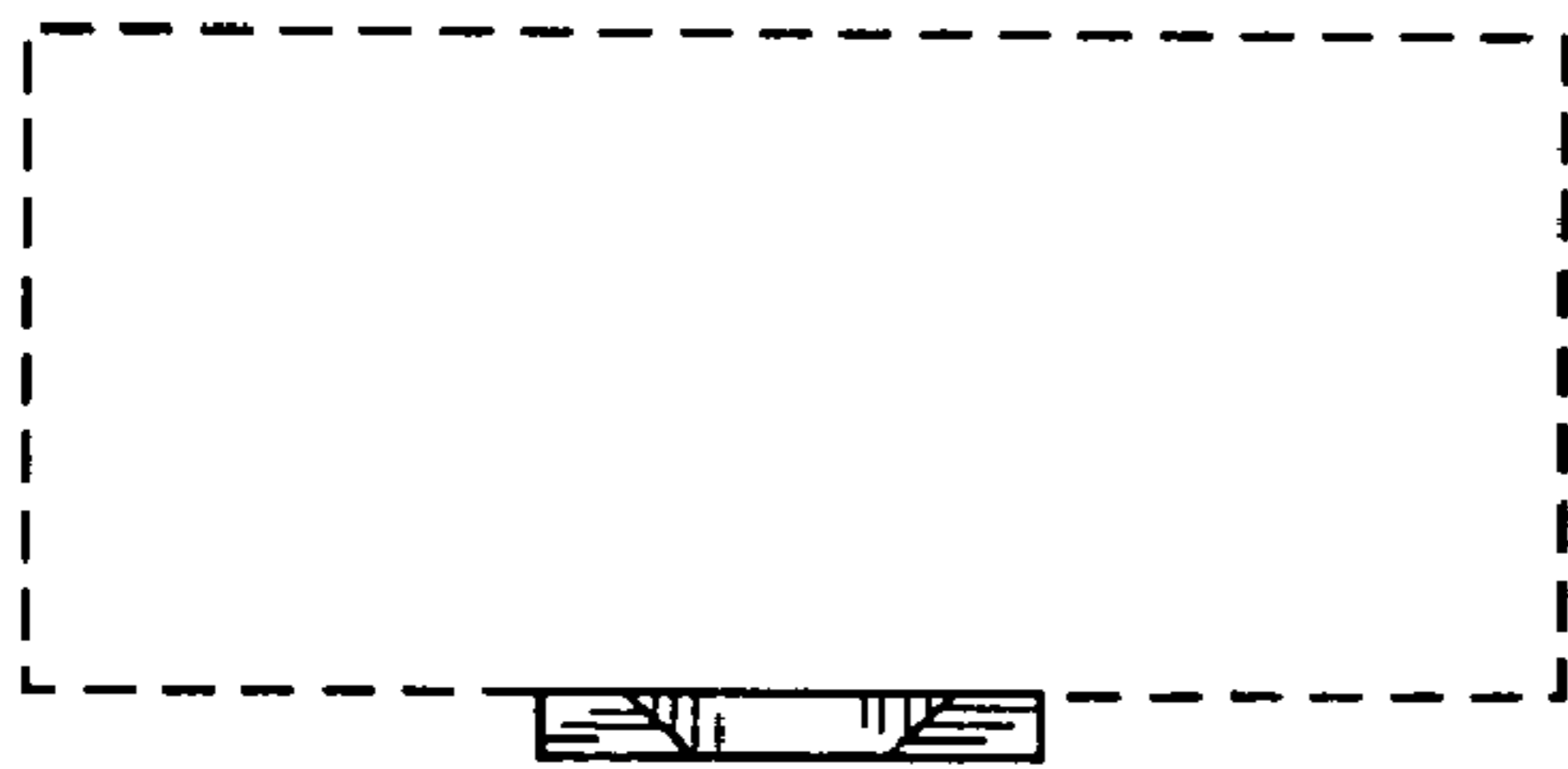
\* cited by examiner



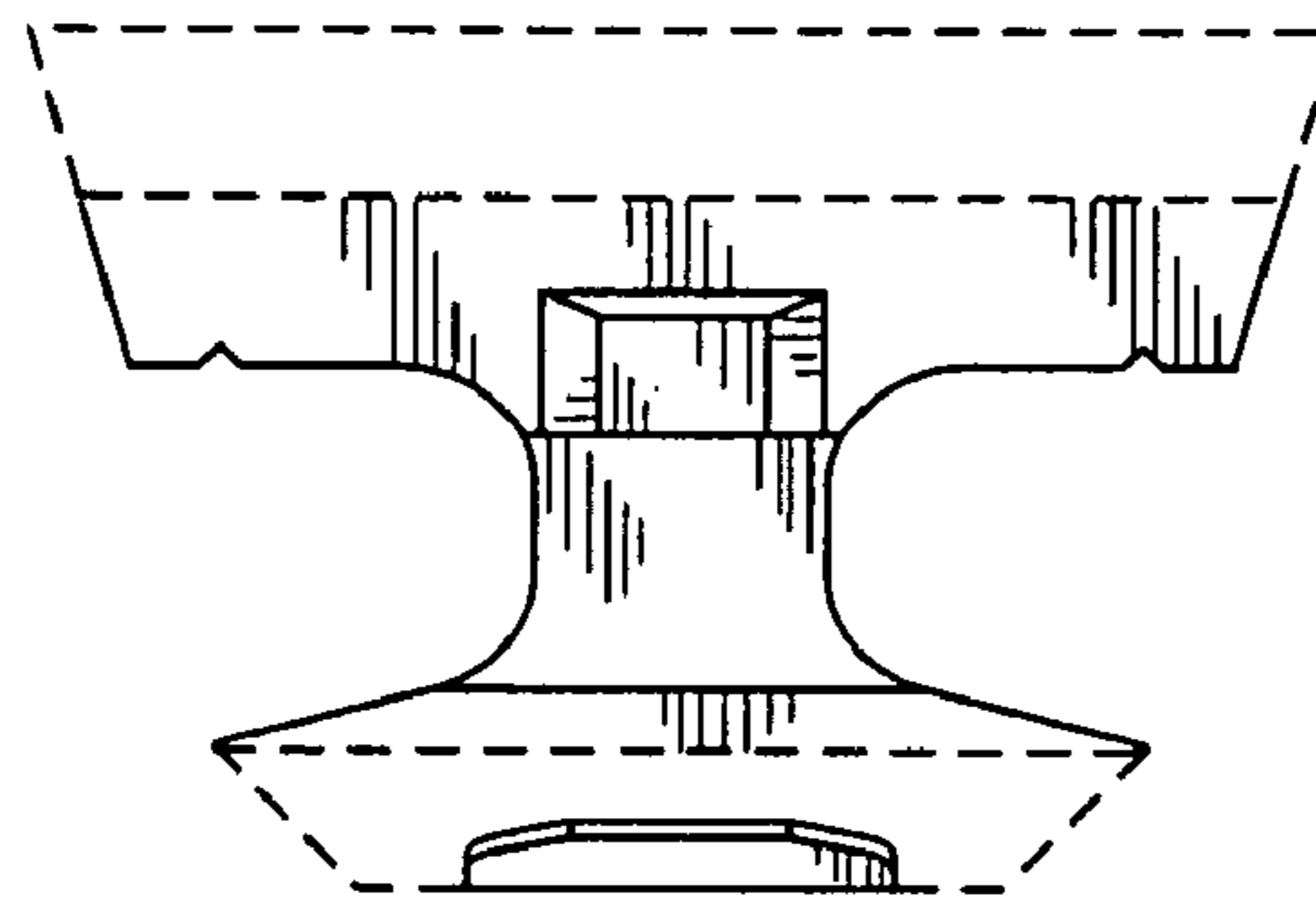
**Fig. 2**



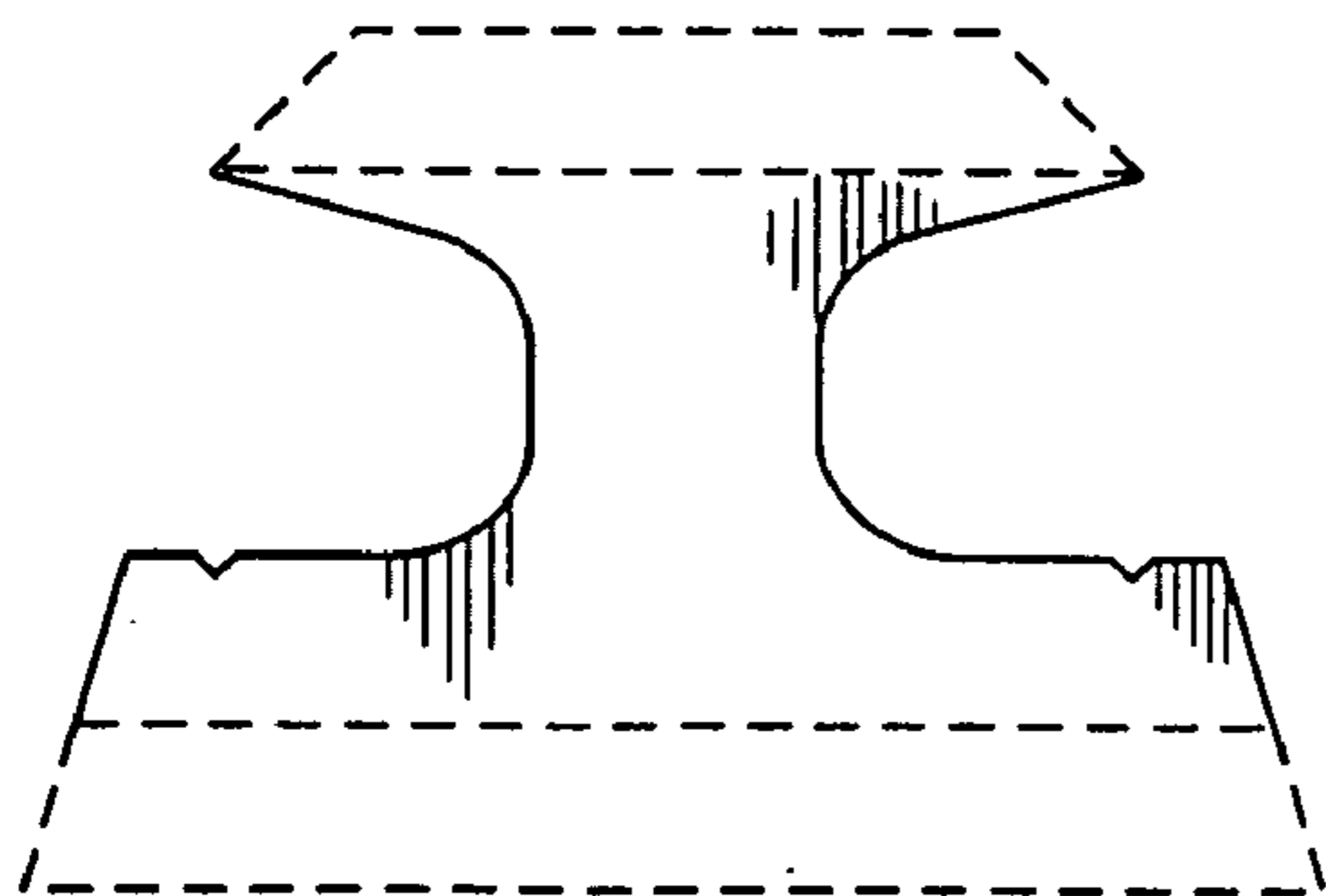
**Fig. 1**



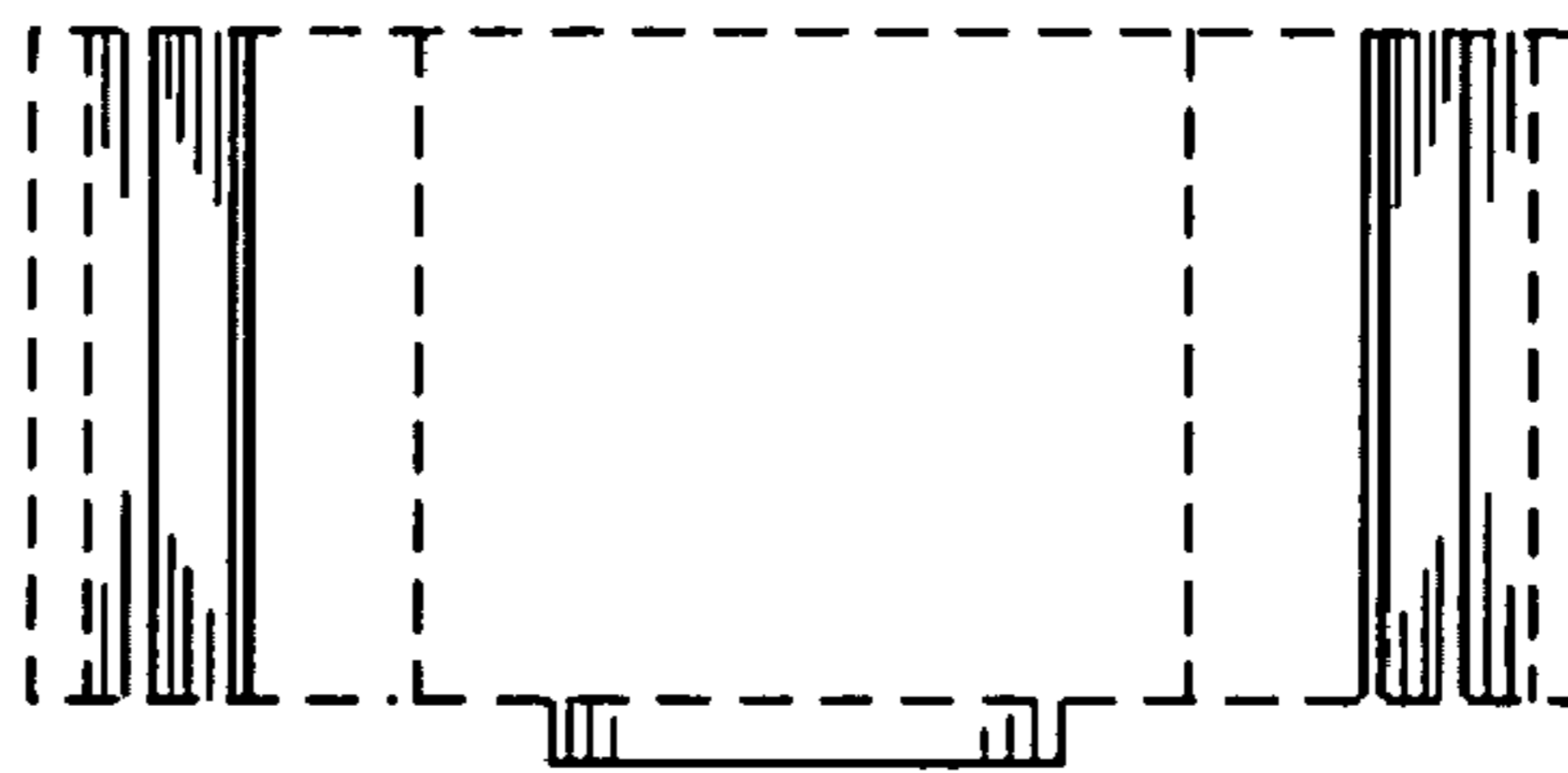
**Fig. 3**



**Fig. 5**



**Fig. 4**



**Fig. 6**