

US00D548364S

(12) **United States Design Patent** (10) **Patent No.:** **US D548,364 S**  
**Skubic et al.** (45) **Date of Patent:** **\*\* Aug. 7, 2007**

(54) **STEPLADDER**

D416,092 S 11/1999 Meyers  
6,012,548 A 1/2000 Kim

(75) Inventors: **Jeff Skubic**, Elk River, MN (US); **Jon Sommers**, Eden Prairie, MN (US); **Kirby Howard**, Acworth, GA (US)

**OTHER PUBLICATIONS**

(73) Assignee: **Tricam Industries, Inc.**, Eden Prairie, MN (US)

Little Giant Ladder Systems®, Wing Enterprises, Inc., *Operating and Safety Instructions*, pp. 1-17, Aug. 1, 1990.  
Little Giant Ladder Systems®, Wing Enterprises, Inc., *Operating and Safety Instructions*, pp. 1-18, Aug. 1, 1990.

(\*\*) Term: **14 Years**

\* cited by examiner

(21) Appl. No.: **29/260,349**

*Primary Examiner*—Doris Clark  
(74) *Attorney, Agent, or Firm*—Patterson, Thuente, Skaar & Christensen, P.A.

(22) Filed: **May 23, 2006**

(51) **LOC (8) Cl.** ..... **25-04**

(57) **CLAIM**

(52) **U.S. Cl.** ..... **D25/64**

We claim the ornamental design for stepladder, as shown.

(58) **Field of Classification Search** ..... D25/68,  
D25/69, 64, 63; 182/151, 107, 21, 180.1,  
182/194, 130, 132, 67.4, 152, 156, 157, 161,  
182/129, 230; 248/210, 238  
See application file for complete search history.

**DESCRIPTION**

(56) **References Cited**

**U.S. PATENT DOCUMENTS**

|               |         |                  |           |
|---------------|---------|------------------|-----------|
| 1,283,212 A   | 10/1918 | Kloepfer et al.  |           |
| 2,186,119 A   | 1/1940  | Moen             |           |
| 3,269,485 A   | 8/1966  | Larson           |           |
| 4,204,587 A * | 5/1980  | Larson           | 182/228.1 |
| 4,210,224 A   | 7/1980  | Kummerlin et al. |           |
| 4,371,055 A * | 2/1983  | Ashton et al.    | 182/46    |
| 4,560,030 A * | 12/1985 | Mucelli          | 182/118   |
| 4,834,216 A * | 5/1989  | Wallick et al.   | 182/165   |
| 4,951,780 A   | 8/1990  | Kim              |           |
| D387,878 S    | 12/1997 | Jacques          |           |
| D388,882 S *  | 1/1998  | Kain             | D25/64    |
| D410,550 S    | 6/1999  | Meyers           |           |
| D414,879 S    | 10/1999 | Meyers           |           |

FIG. 1 is a perspective view of a stepladder according to the invention.

FIG. 2 is a side view of a stepladder according to the invention.

FIG. 3 is another side view of a stepladder according to the invention.

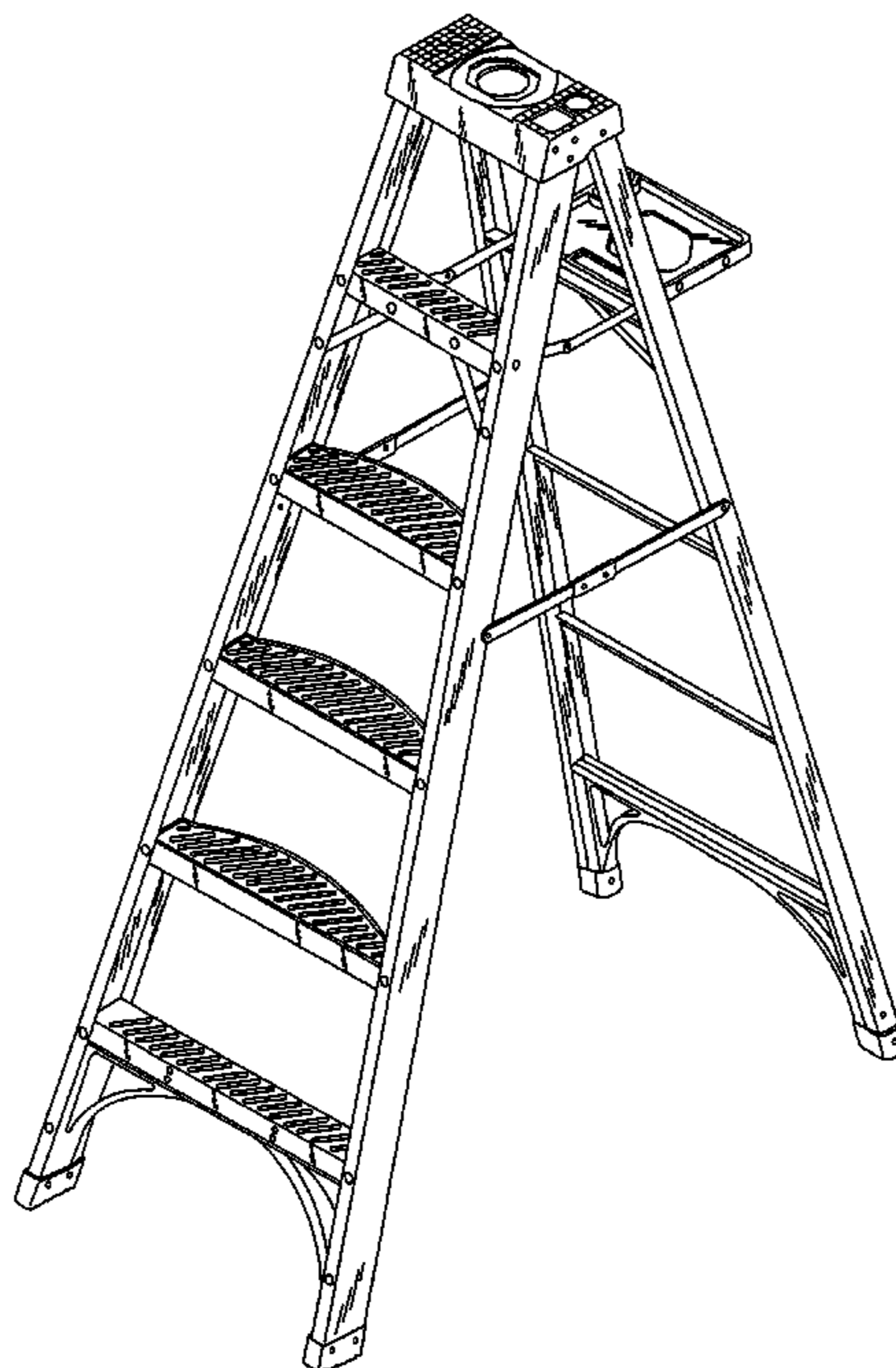
FIG. 4 is a front view of a stepladder according to the invention.

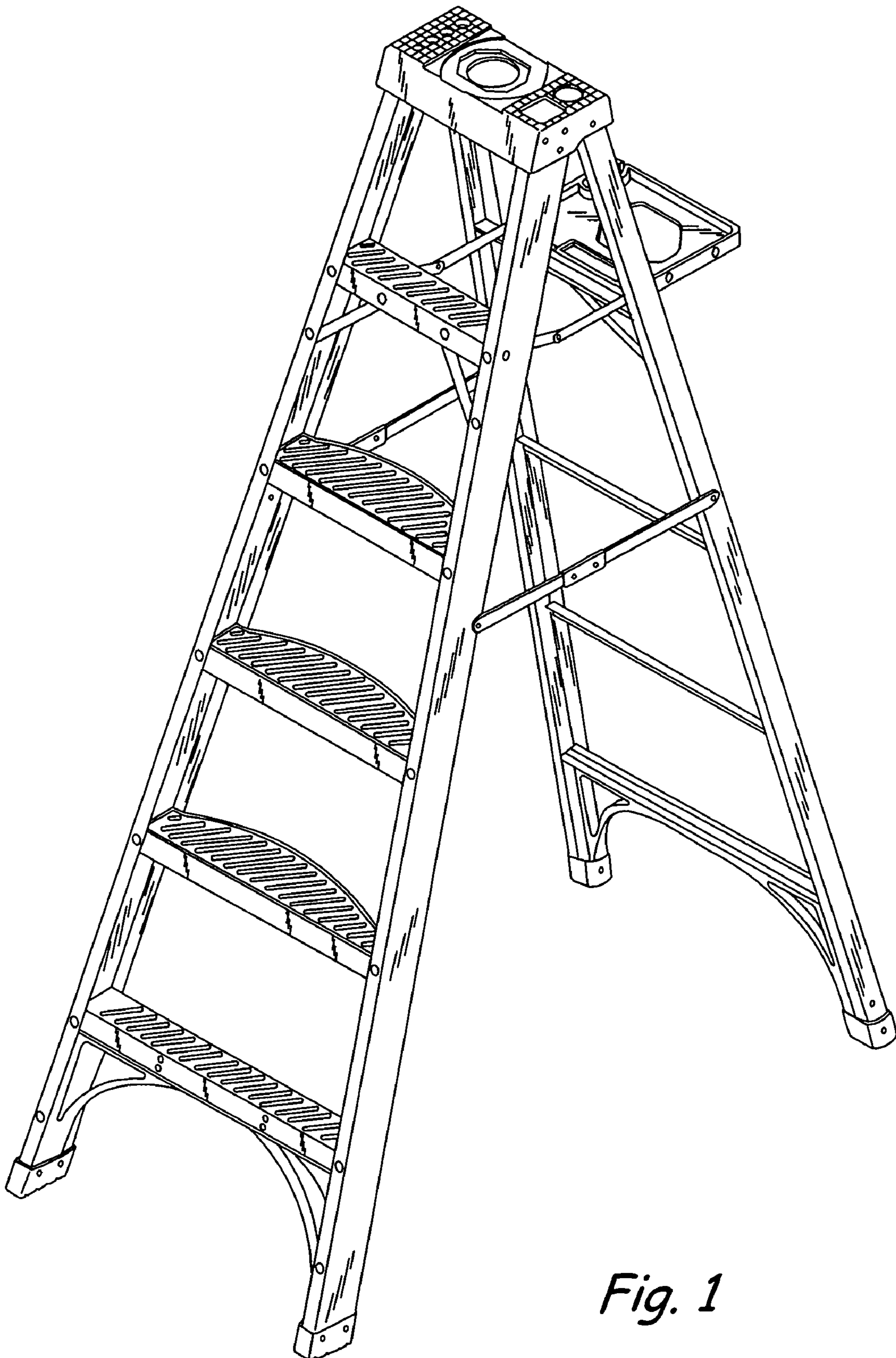
FIG. 5 is a back view of a stepladder according to the invention.

FIG. 6 is a top view of a stepladder according to the invention; and,

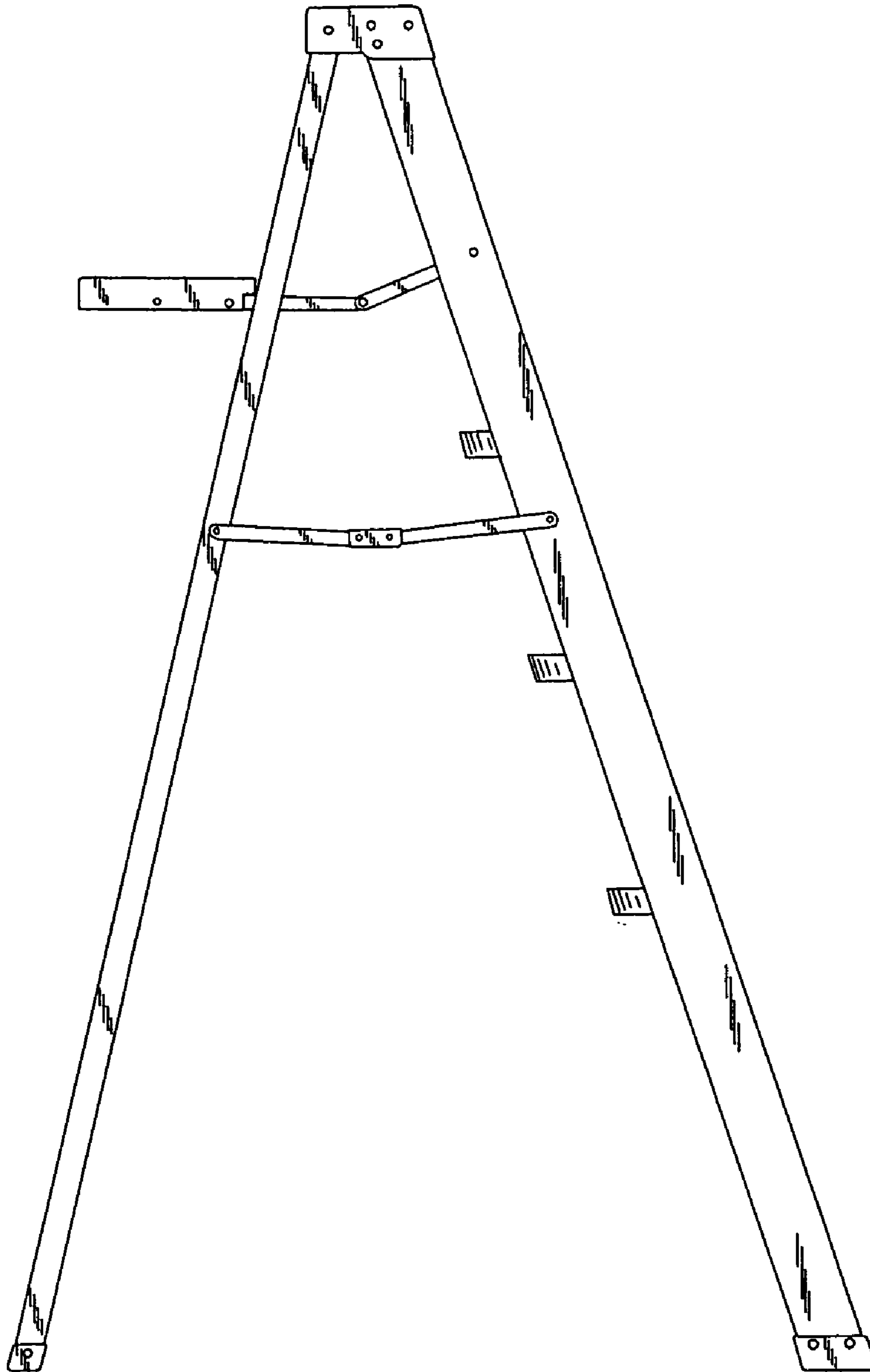
FIG. 7 is a bottom view of a stepladder according to the invention.

**1 Claim, 5 Drawing Sheets**

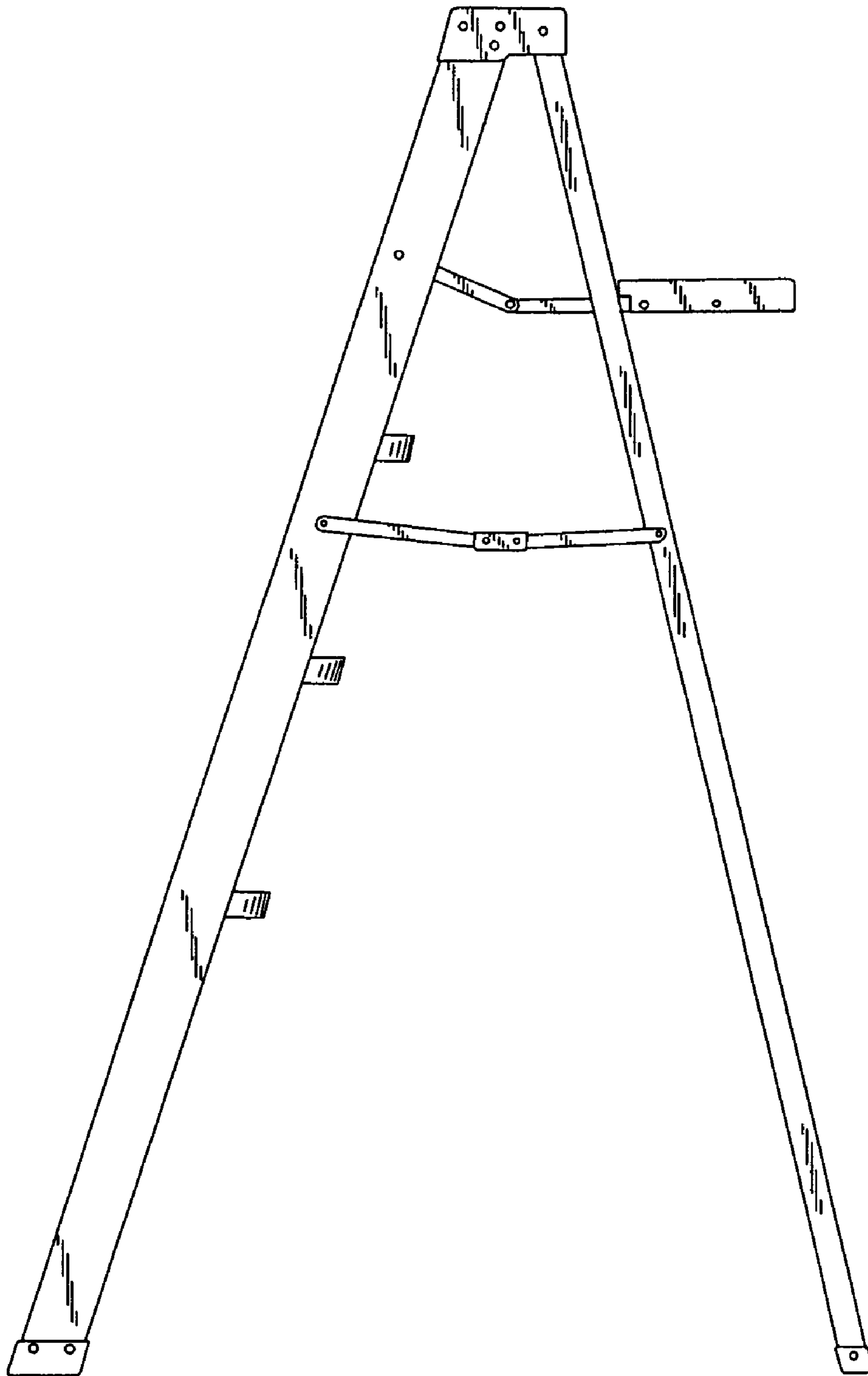




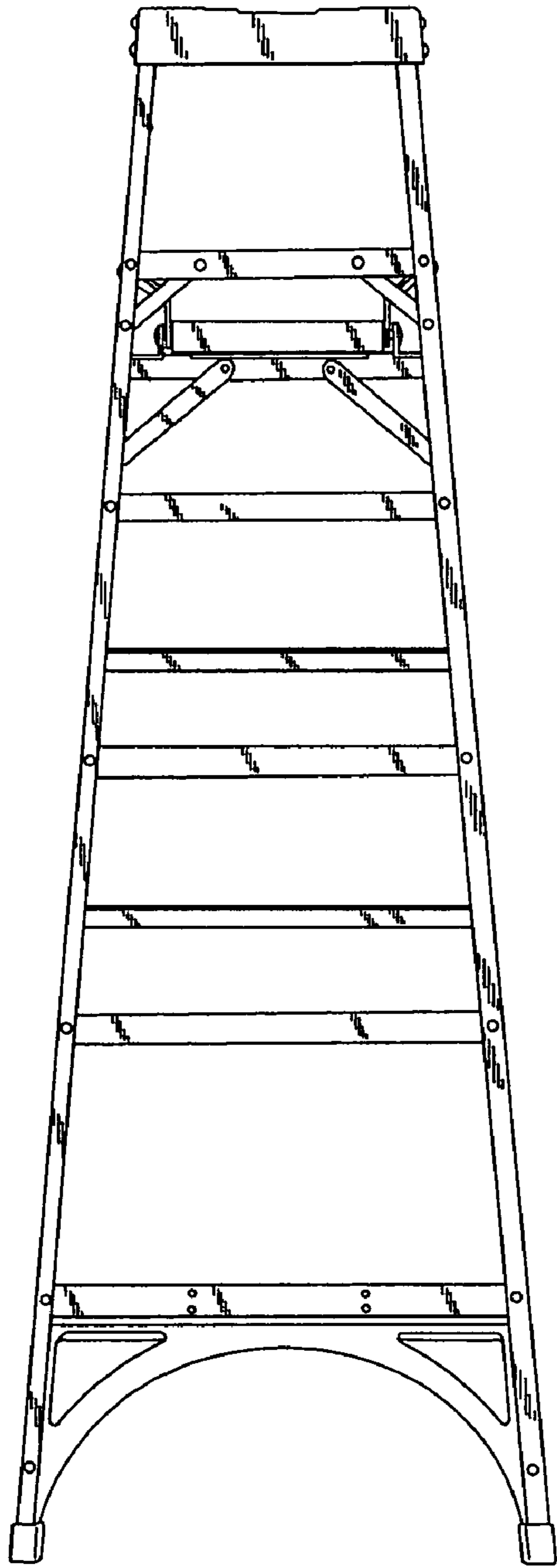
*Fig. 1*



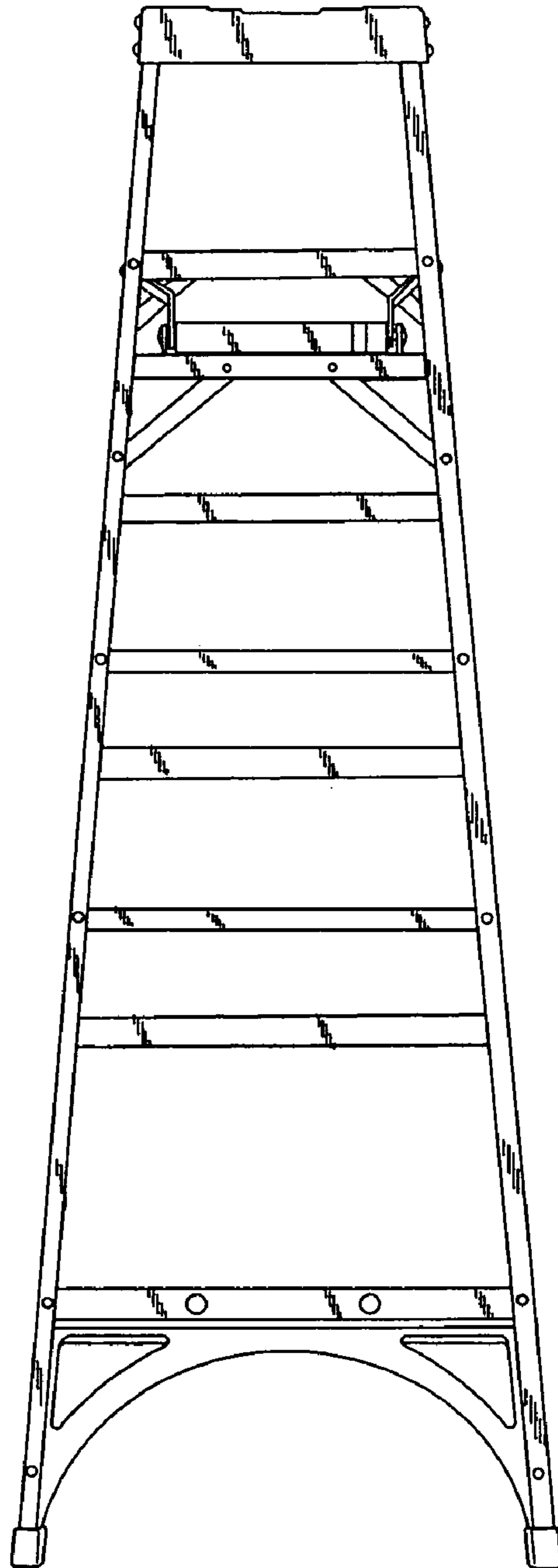
*Fig. 2*



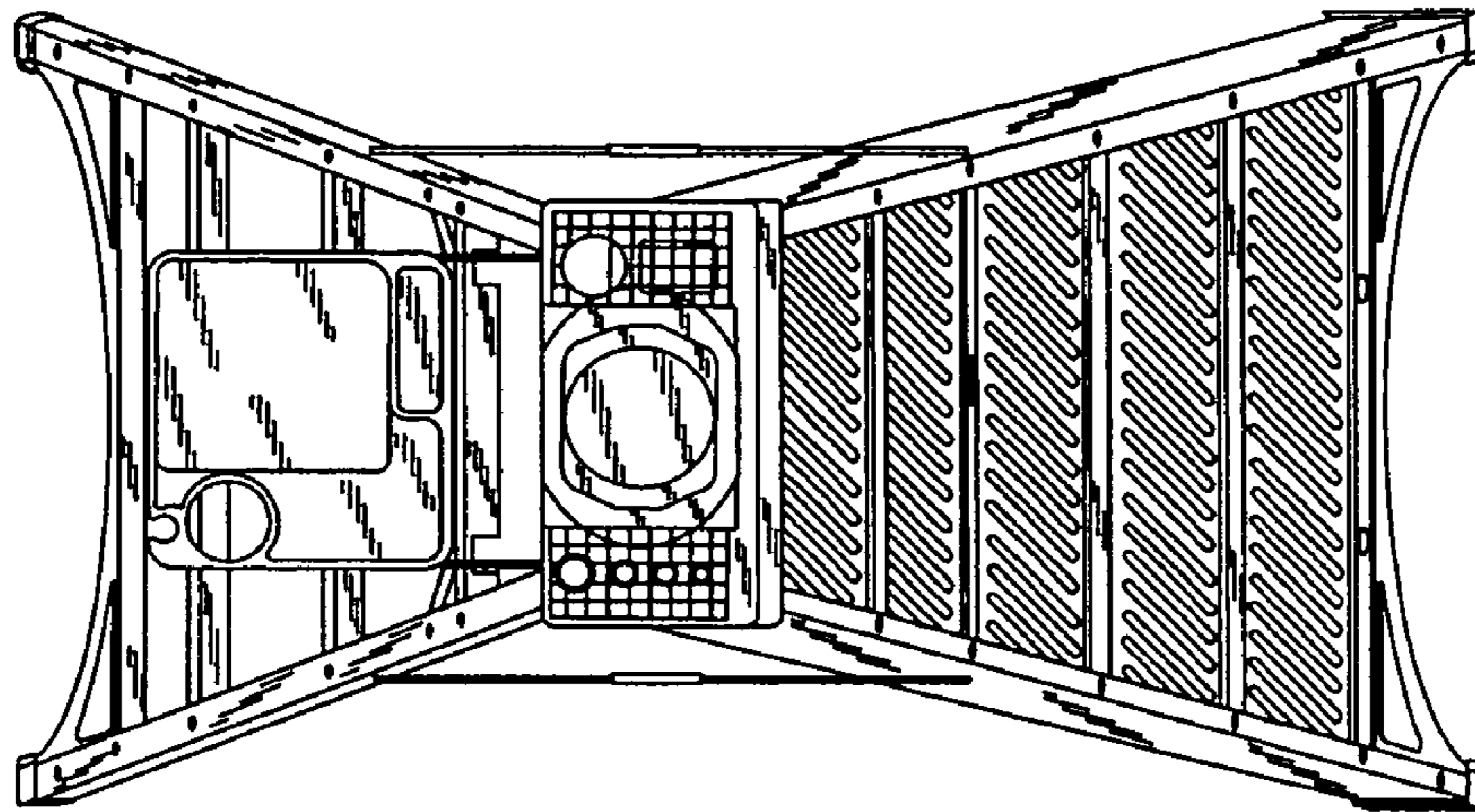
*Fig. 3*



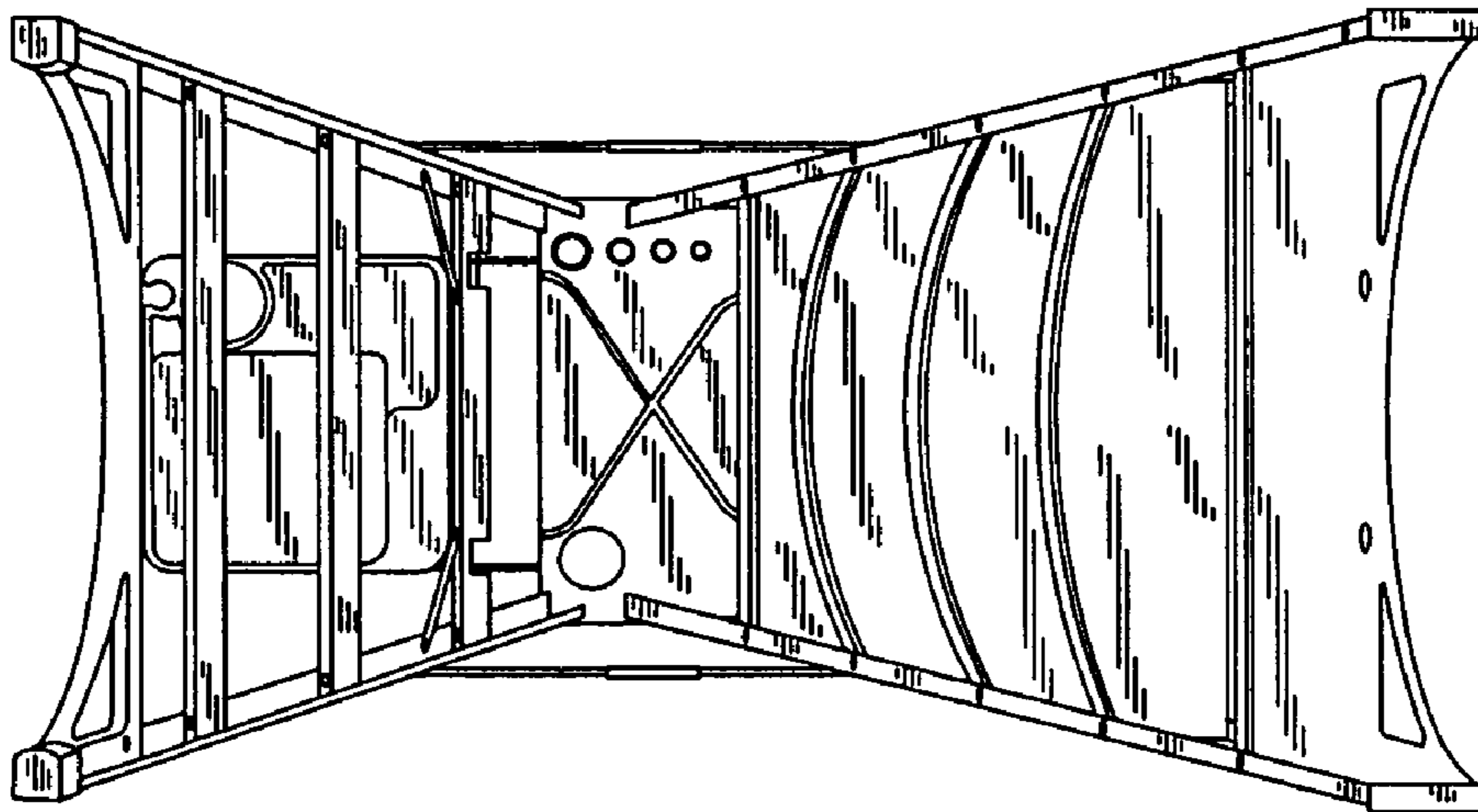
*Fig. 4*



*Fig. 5*



*Fig. 6*



*Fig. 7*