

US00D548363S

(12) **United States Design Patent**
Hein

(10) **Patent No.:** **US D548,363 S**

(45) **Date of Patent:** **** Aug. 7, 2007**

(54) **FENCE TOP RAIL**

(75) Inventor: **Paul R. Hein**, Loveland, CO (US)

(73) Assignee: **Fence Products International, Inc.**,
Loveland, CO (US)

(**) Term: **14 Years**

(21) Appl. No.: **29/253,528**

(22) Filed: **Feb. 7, 2006**

(51) **LOC (8) Cl.** **25-02**

(52) **U.S. Cl.** **D25/38**

(58) **Field of Classification Search** D25/38,
D25/43, 44, 39, 122; 52/65.01, 59, 68, 72,
52/65.2, 65.04, 65.08, 65.11, 65.15, 65.16
See application file for complete search history.

(56) **References Cited**

U.S. PATENT DOCUMENTS

2,855,227	A *	10/1958	Bottom	403/119
D200,702	S *	3/1965	Huret	D25/121
3,522,933	A *	8/1970	Braun	256/22
3,529,808	A *	9/1970	Siebers	256/65.08
3,942,763	A *	3/1976	Helterbrand et al.	256/22
5,187,912	A *	2/1993	Hsueh	52/36.5
D415,287	S *	10/1999	Davis	D25/38

D461,914	S *	8/2002	Hughes et al.	D25/122
D471,284	S *	3/2003	Heath	D25/38
D484,249	S *	12/2003	Michael et al.	D25/38
D497,432	S *	10/2004	Ohanesian	D25/38

* cited by examiner

Primary Examiner—Doris Clark

(74) *Attorney, Agent, or Firm*—William E. Hein

(57) **CLAIM**

The ornamental design for a fence top rail, as shown and described.

DESCRIPTION

FIG. 1 is a front perspective view of a fence top rail, showing my new design;

FIG. 2 is a left side elevation view, the right side elevation view being identical thereto;

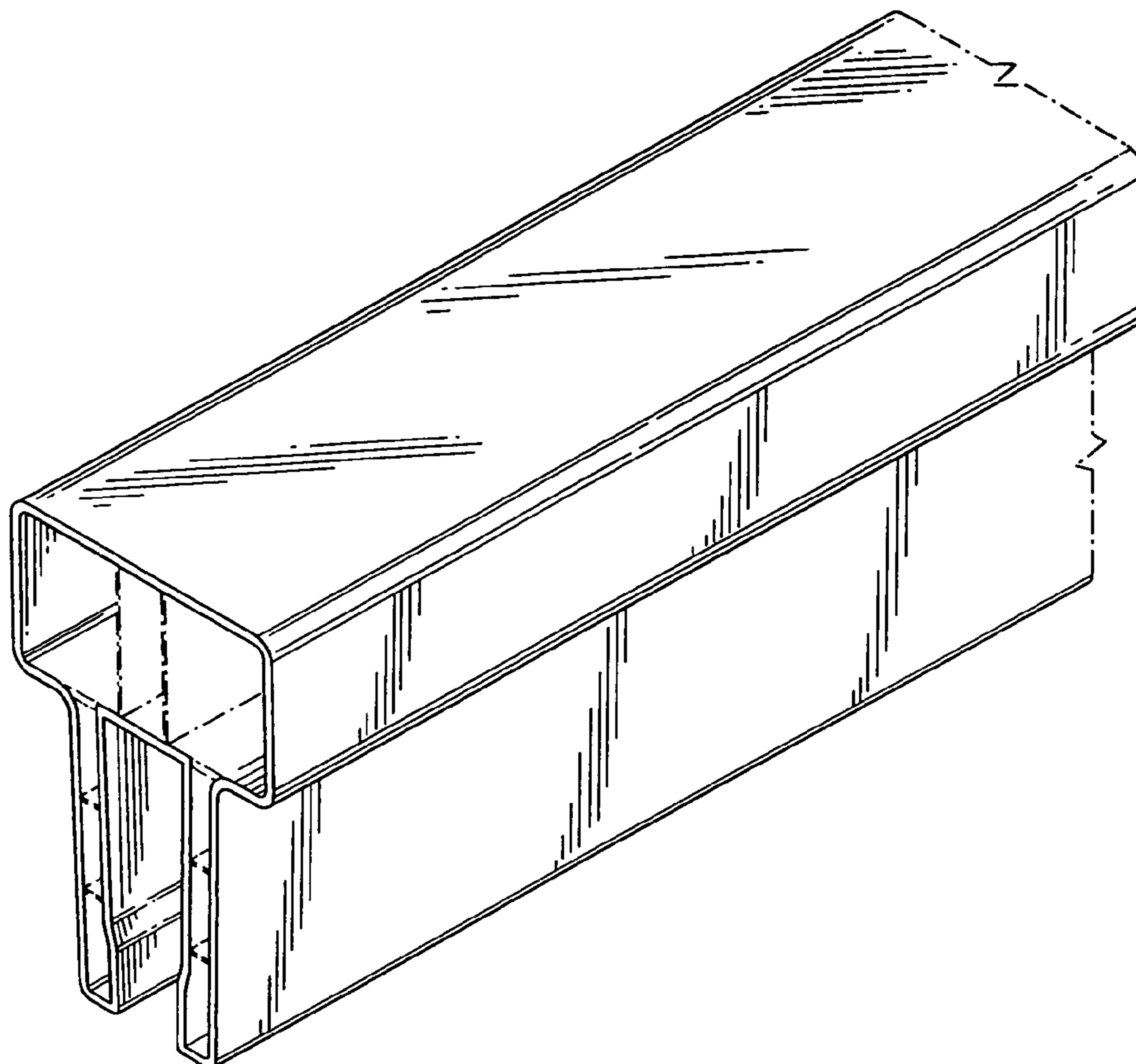
FIG. 3 is a front elevation view of a fence top rail;

FIG. 4 is a top plan view of a fence top rail; and,

FIG. 5 is a bottom plan view of a fence top rail.

The broken lines are for environmental purposes only and form no part of the claimed design.

1 Claim, 2 Drawing Sheets



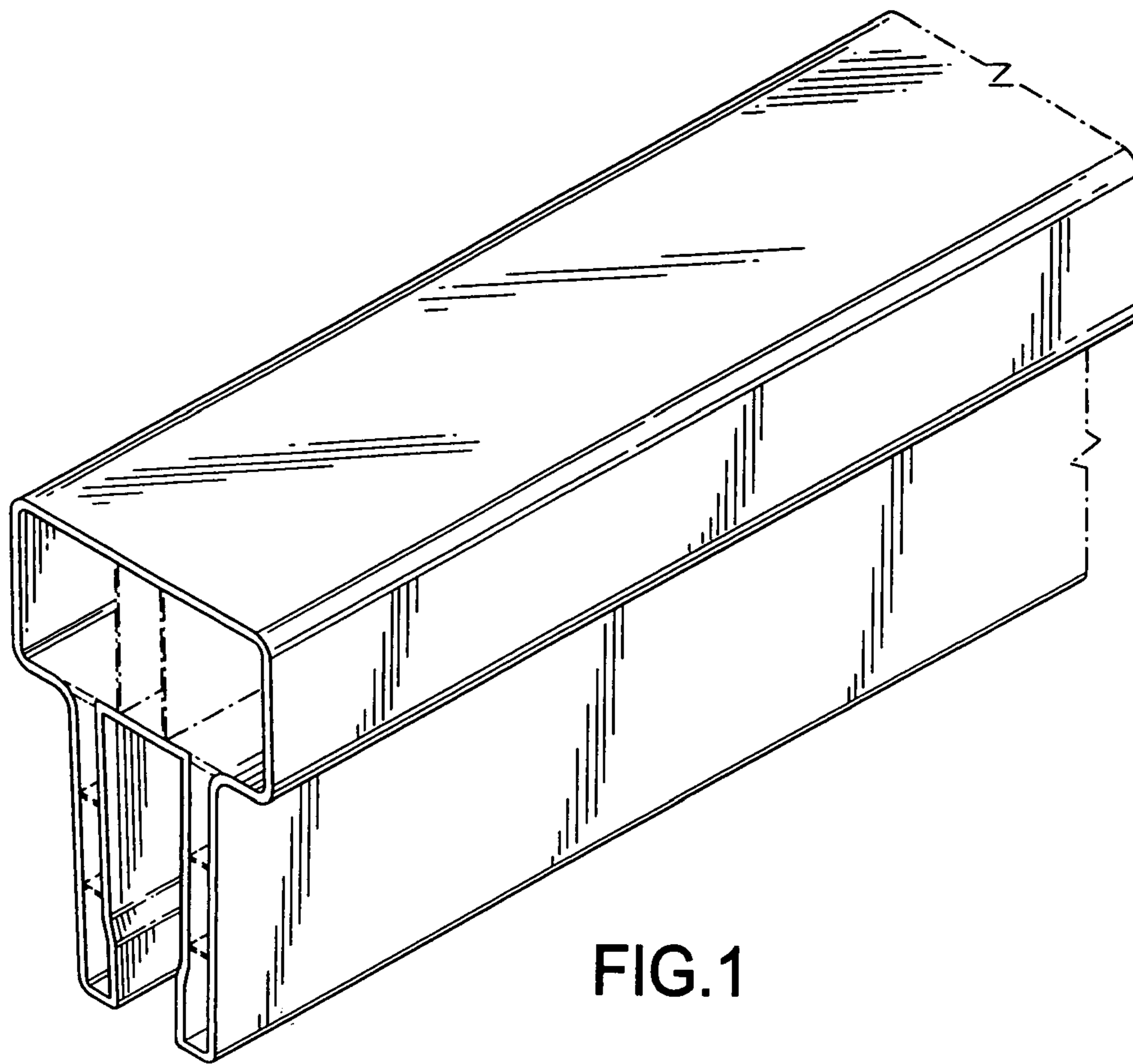


FIG. 1

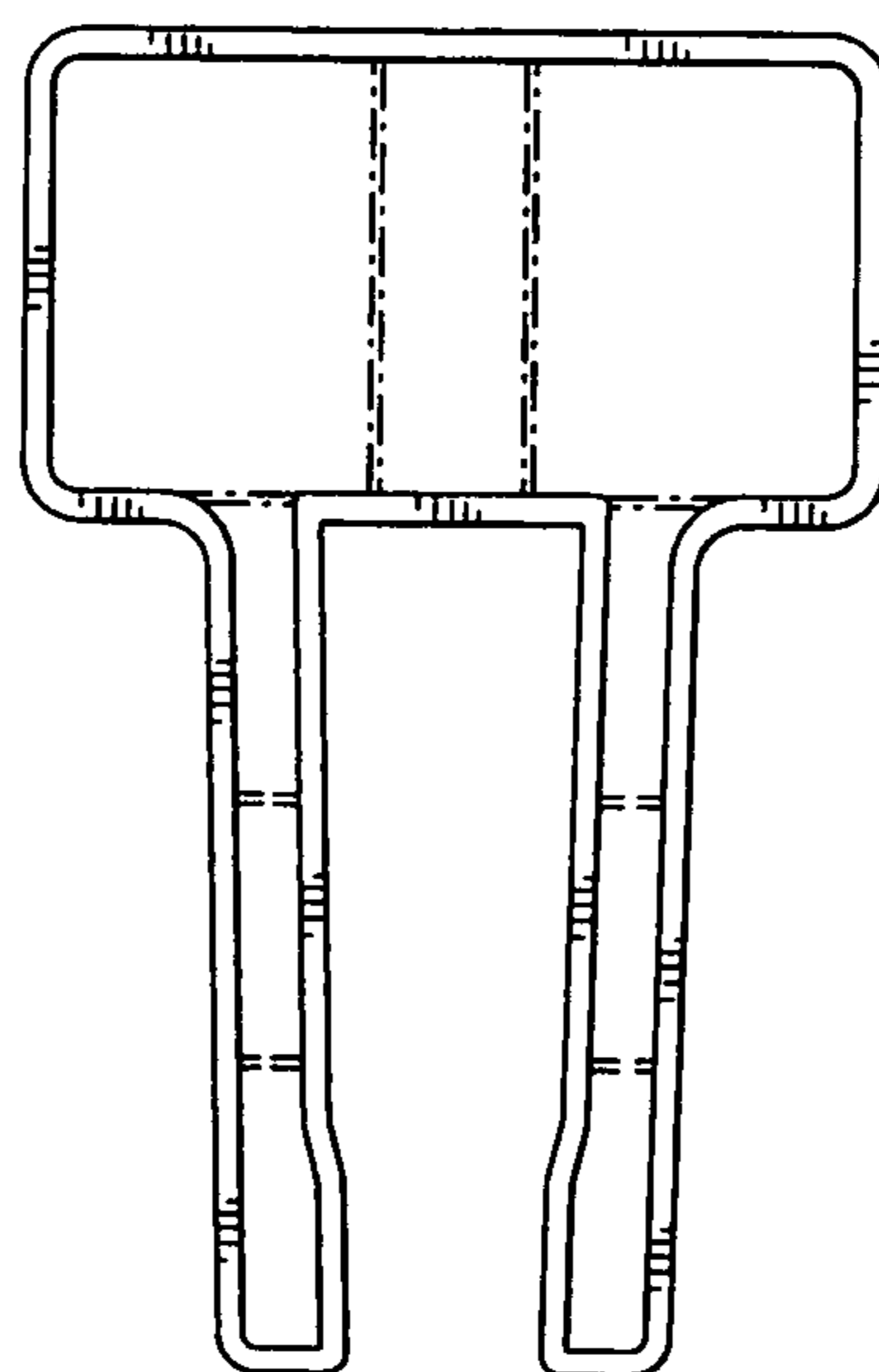


FIG. 2

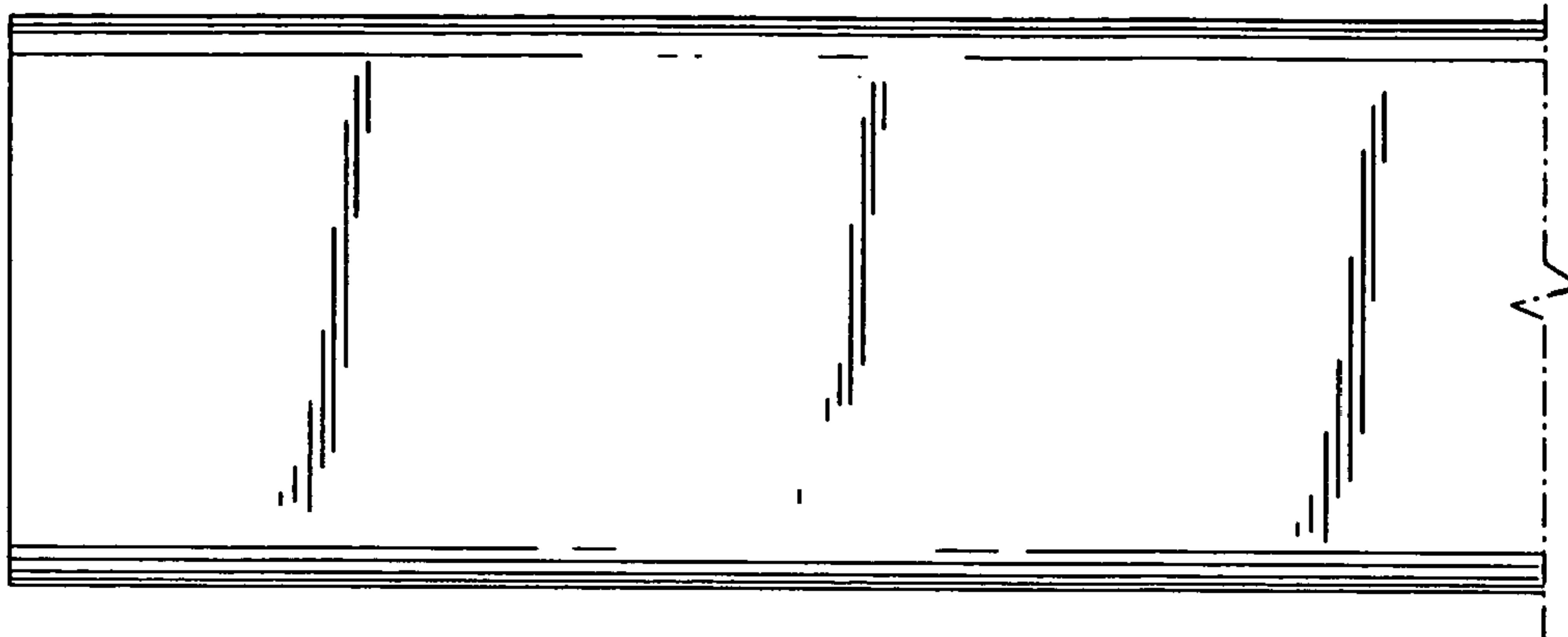


FIG. 4

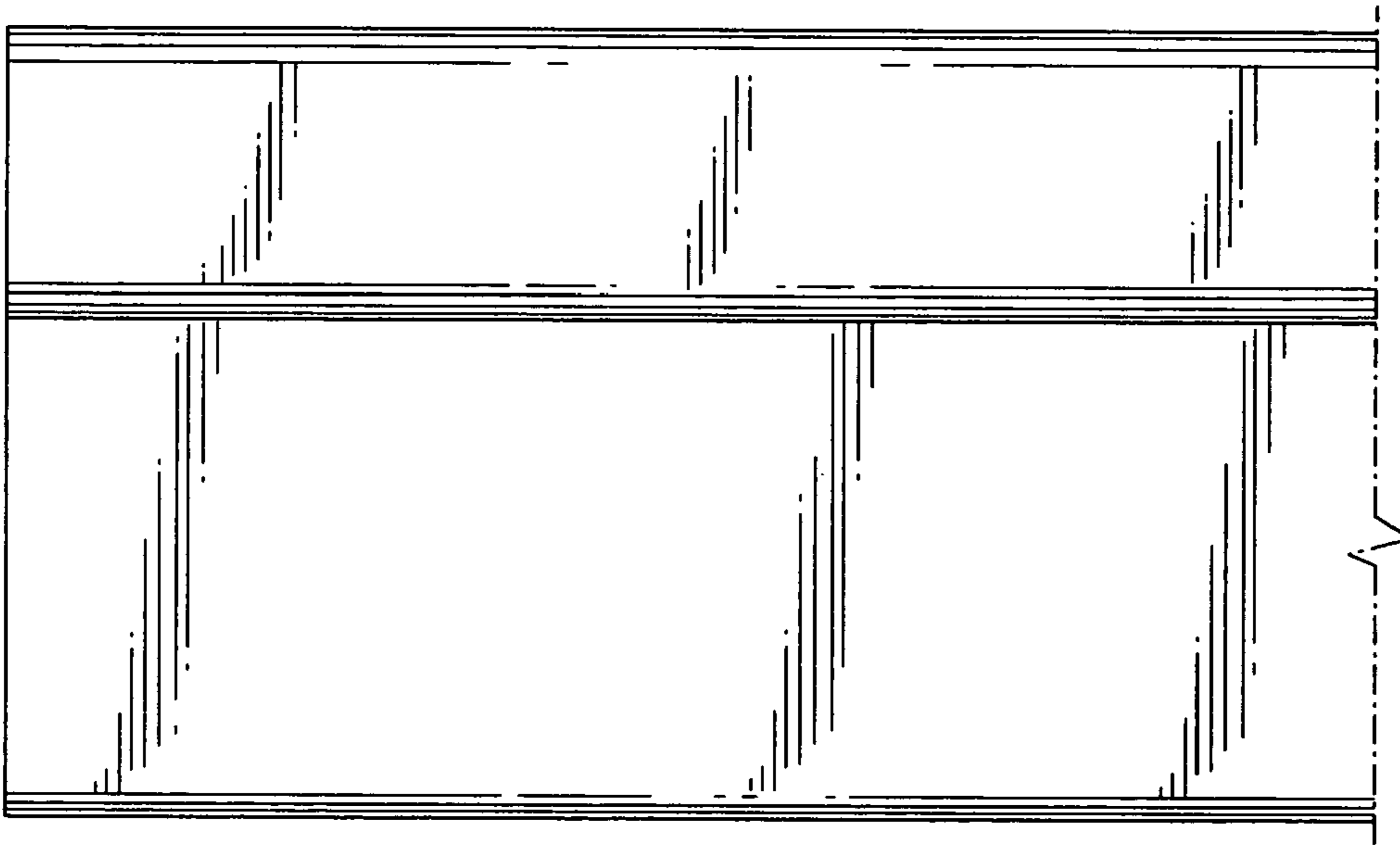


FIG. 3

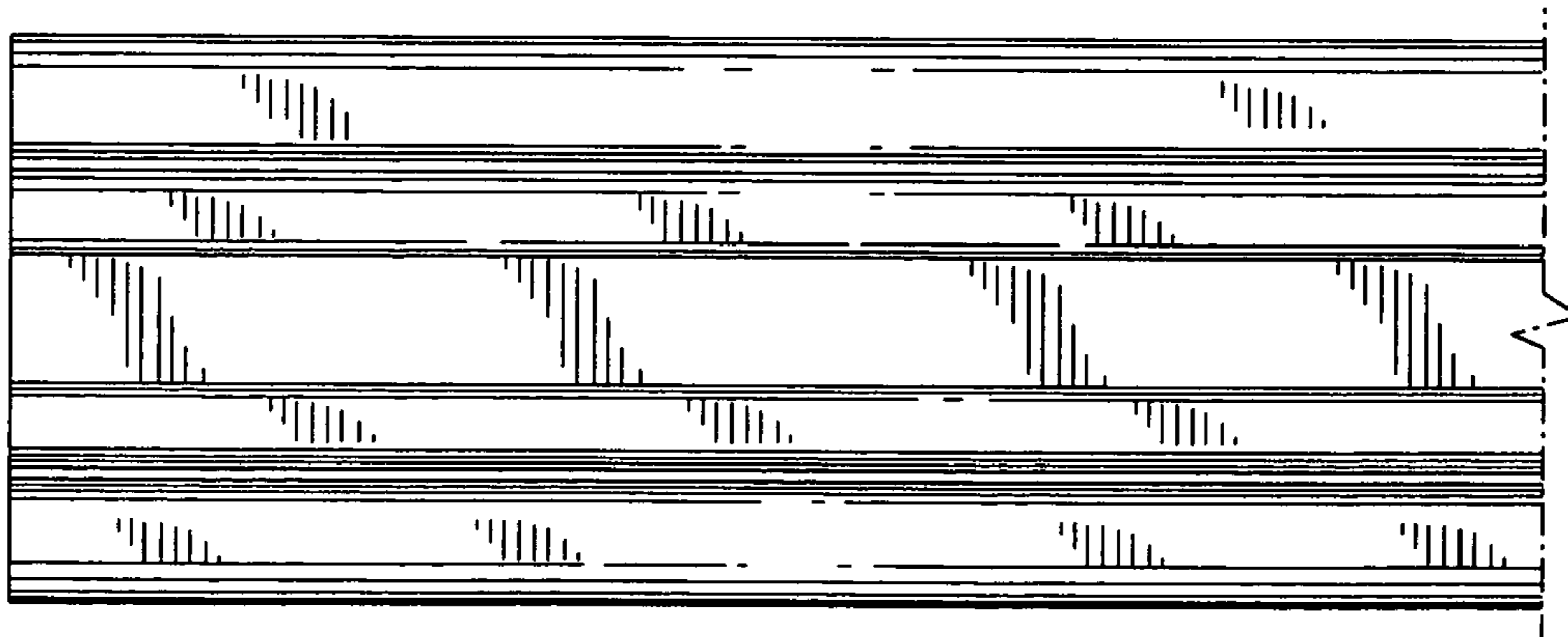


FIG. 5