

US00D548359S

(12) **United States Design Patent** (10) **Patent No.:** **US D548,359 S**
Illein et al. (45) **Date of Patent:** **** Aug. 7, 2007**

(54) **DIAGNOSTIC TEST DEVICE WITH REMOVABLE OVERCAP**

(75) Inventors: **Gary Illein**, Hillsborough, NJ (US);
John DePiano, Burlington, MA (US);
David Chesley, Duxbury, MA (US);
Albert R. Nazareth, Mercerville, NJ (US)

(73) Assignee: **Church & Dwight Co., Inc.**, Princeton, NJ (US)

(**) Term: **14 Years**

(21) Appl. No.: **29/239,370**

(22) Filed: **Sep. 29, 2005**

(51) **LOC (8) Cl.** **24-02**

(52) **U.S. Cl.** **D24/223**

(58) **Field of Classification Search** D24/223-225,
D24/216, 186; D10/81; 422/55-58, 99,
422/102, 104, 68.1, 82.5; 436/514, 805,
436/808, 806, 809, 810, 164, 168, 169, 170;
435/810, 675, 970, 969, 287.2, 297.3, 288.3,
435/288.4, 288.5, 806

See application file for complete search history.

(56) **References Cited**

U.S. PATENT DOCUMENTS

| | | |
|------------|--------|--------------------|
| D348,522 S | 7/1994 | Groothuizen |
| D365,998 S | 1/1996 | Groothuizen et al. |
| D367,236 S | 2/1996 | Groothuizen et al. |
| D379,662 S | 6/1997 | Pearson et al. |
| D379,663 S | 6/1997 | Pearson et al. |

| | | | |
|--------------|---------|------------------|---------|
| D394,317 S | 5/1998 | Carp | |
| 6,080,118 A | 6/2000 | Blythe | |
| 6,352,862 B1 | 3/2002 | Davis et al. | |
| D491,274 S | 6/2004 | Dubniczki et al. | |
| D497,673 S | 10/2004 | Long | |
| D497,999 S | 11/2004 | Long | |
| D499,813 S | 12/2004 | Wu | |
| D509,901 S | 9/2005 | Phelan et al. | |
| D511,574 S | 11/2005 | Wendling | |
| D512,156 S | 11/2005 | Wendling | |
| D530,825 S * | 10/2006 | Lee et al. | D24/223 |
| D531,735 S * | 11/2006 | Lee et al. | D24/223 |
| D536,798 S * | 2/2007 | Lee et al. | D24/223 |

* cited by examiner

Primary Examiner—Antoine D. Davis

(74) *Attorney, Agent, or Firm*—Frenkel & Associates

(57) **CLAIM**

The ornamental design for diagnostic test device with removable overcap, as shown and described.

DESCRIPTION

FIG. 1 is a front, top, left side perspective view of our diagnostic test device, with the cap removed, showing our new design;

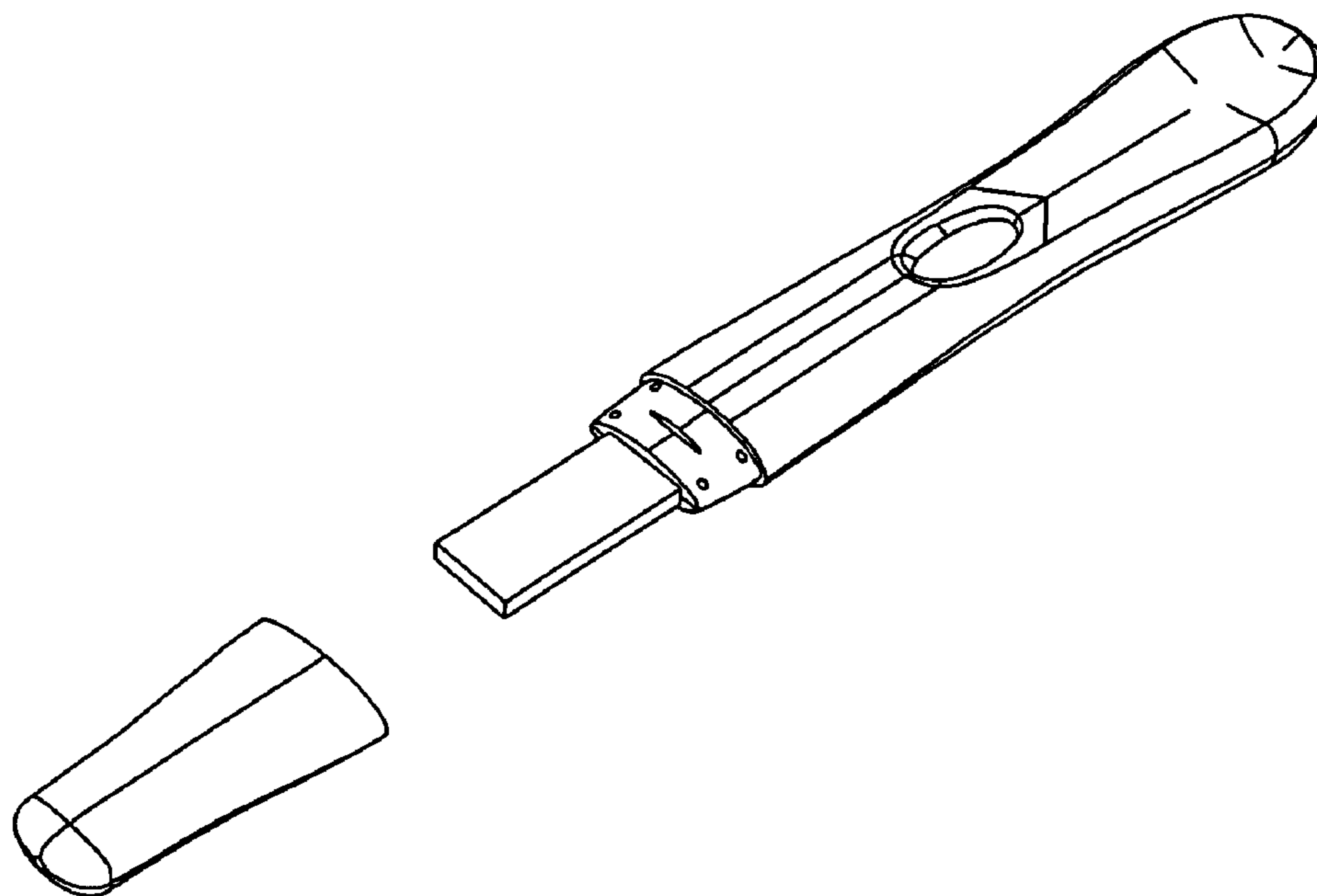
FIG. 2 is a front, top, left side perspective view thereof with the cap installed;

FIG. 3 is a top plan view thereof;

FIG. 4 is a bottom plan view thereof; and,

FIG. 5 is a left side elevational view thereof.

1 Claim, 2 Drawing Sheets



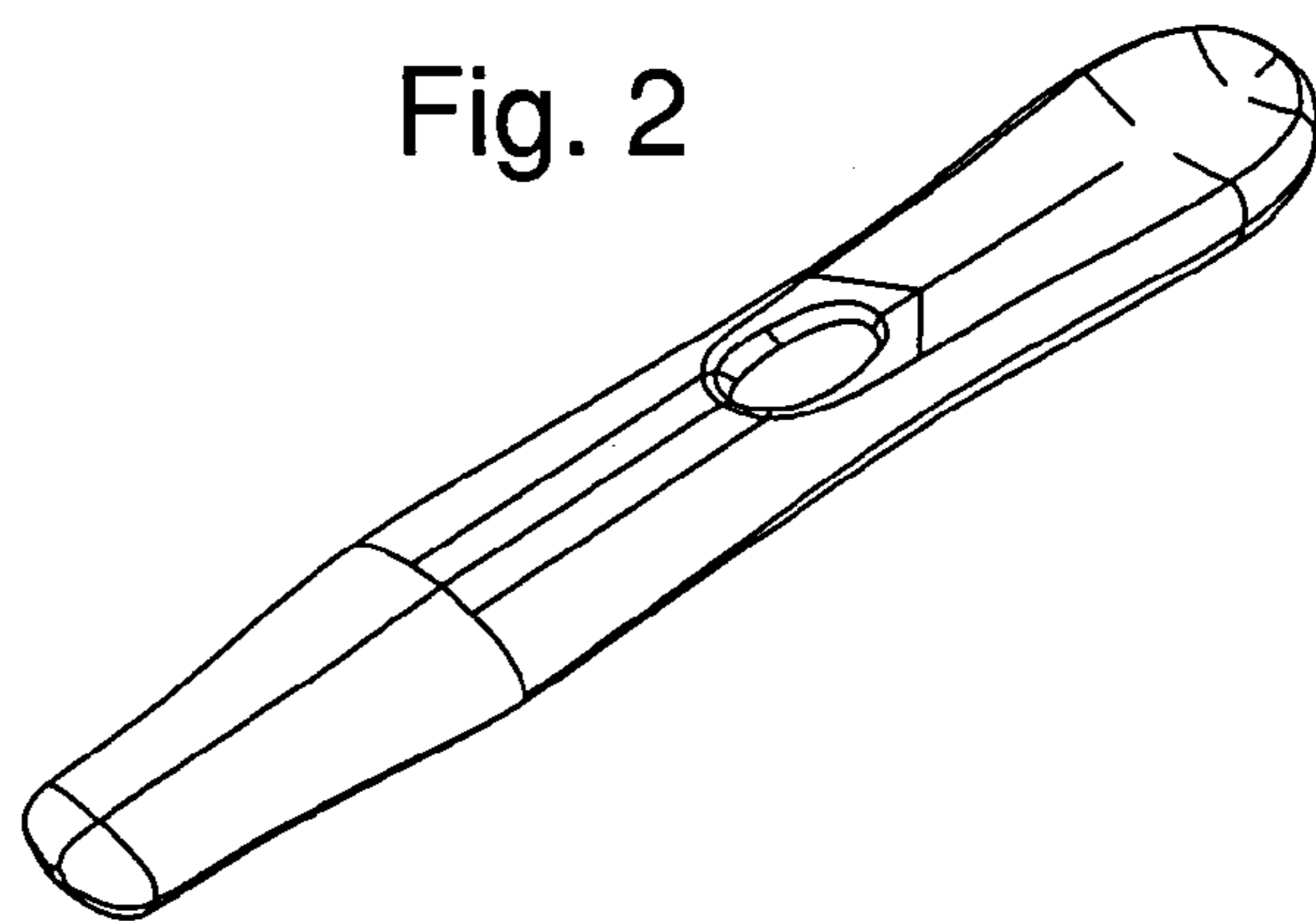
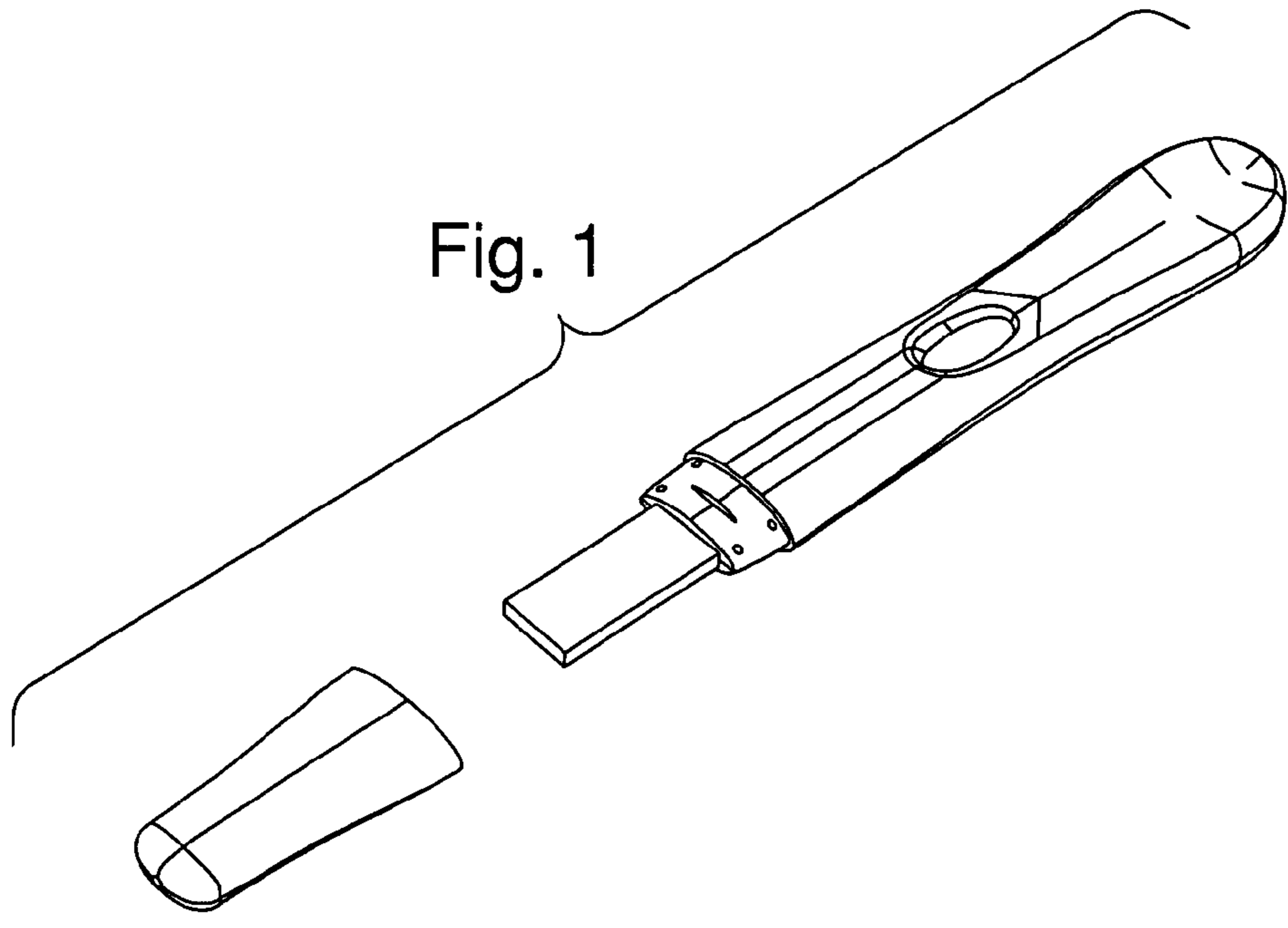


Fig. 3

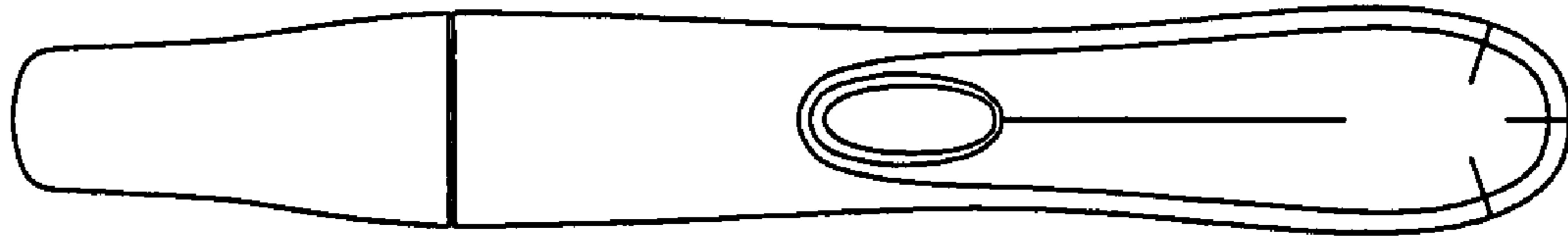


Fig. 4

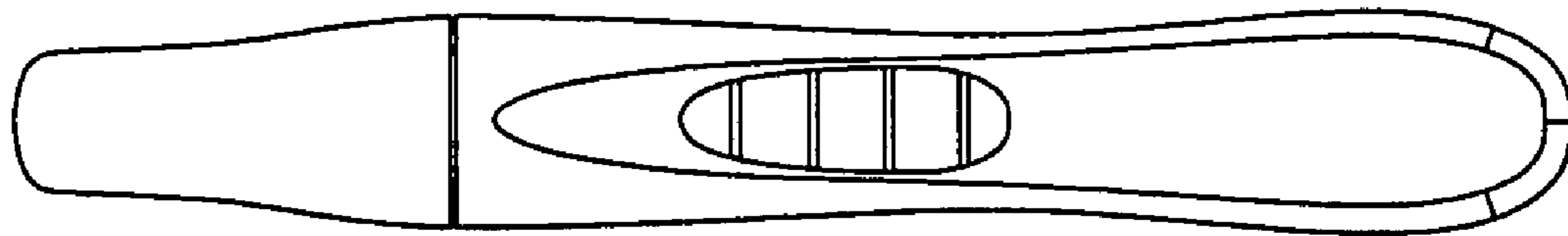


Fig. 5

