

US00D548357S

(12) **United States Design Patent**
Barbera-Guillem

(10) **Patent No.:** **US D548,357 S**

(45) **Date of Patent:** **** Aug. 7, 2007**

(54) **BIOREACTOR**

(76) Inventor: **Emilio Barbera-Guillem**, 1555
Picardae Ct., Powell, OH (US) 43065

(**) Term: **14 Years**

(21) Appl. No.: **29/223,343**

(22) Filed: **Feb. 11, 2005**

(51) **LOC (8) Cl.** **24-01**

(52) **U.S. Cl.** **D24/216**

(58) **Field of Classification Search** D24/216,
D24/223-227; 435/286.5, 287.2, 297.1;
436/288.3, 288.4, 288.6, 305.1, 305.2

See application file for complete search history.

(56) **References Cited**

U.S. PATENT DOCUMENTS

6,048,721	A *	4/2000	Armstrong et al.	435/286.5
D425,205	S *	5/2000	Henigan et al.	D24/216
6,127,141	A *	10/2000	Kopf	435/286.5
6,238,908	B1 *	5/2001	Armstrong et al.	435/286.5
D473,318	S *	4/2003	Barbera-Guillem	D24/216
D480,814	S *	10/2003	Lafferty et al.	D24/224
D480,815	S *	10/2003	Ewing et al.	D24/226
6,753,178	B2 *	6/2004	Adelberg et al.	435/286.5

D500,142	S *	12/2004	Crisanti et al.	D24/223
D501,678	S *	2/2005	Oberhardt	D24/225
6,911,343	B2 *	6/2005	Schembri et al.	435/287.2
D530,826	S *	10/2006	Rich et al.	D24/225
D531,321	S *	10/2006	Godfrey et al.	D24/225
7,198,940	B2 *	4/2007	Vellinger et al.	435/286.5
2002/0146817	A1 *	10/2002	Cannon et al.	435/286.5

* cited by examiner

Primary Examiner—Louis Zarfaz

Assistant Examiner—Mark Cavanna

(74) *Attorney, Agent, or Firm*—Gallagher & Dawsey Co.,
LPA; Michael J. Gallagher; David J. Dawsey

(57) **CLAIM**

The ornamental design for a bioreactor, as shown.

DESCRIPTION

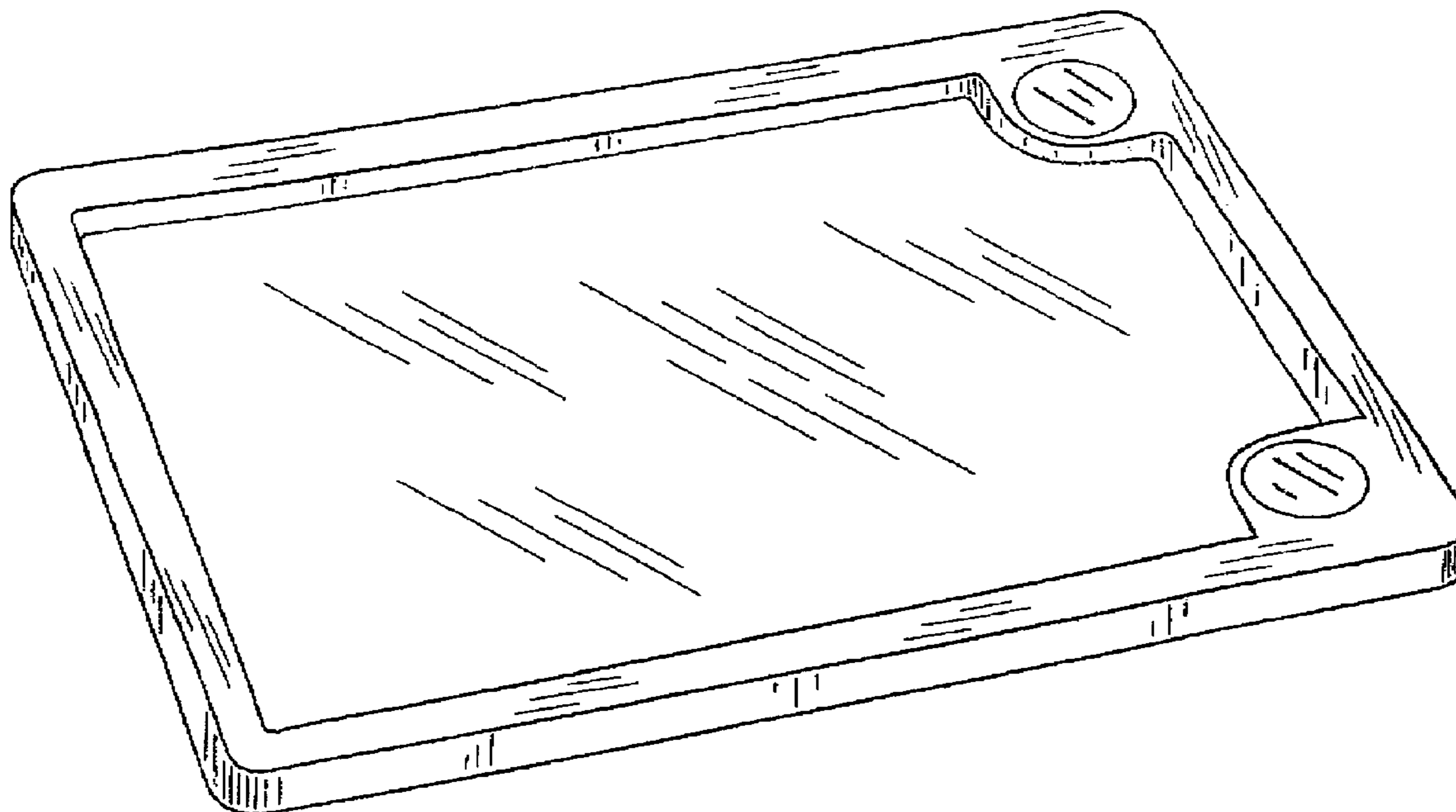
FIG. 1 is a perspective view of a bioreactor showing my new design;

FIG. 2 is both a top and bottom plan view thereof;

FIG. 3 is both a front and rear elevation view thereof; and,

FIG. 4 is both a left side and right side elevation view thereof.

1 Claim, 2 Drawing Sheets



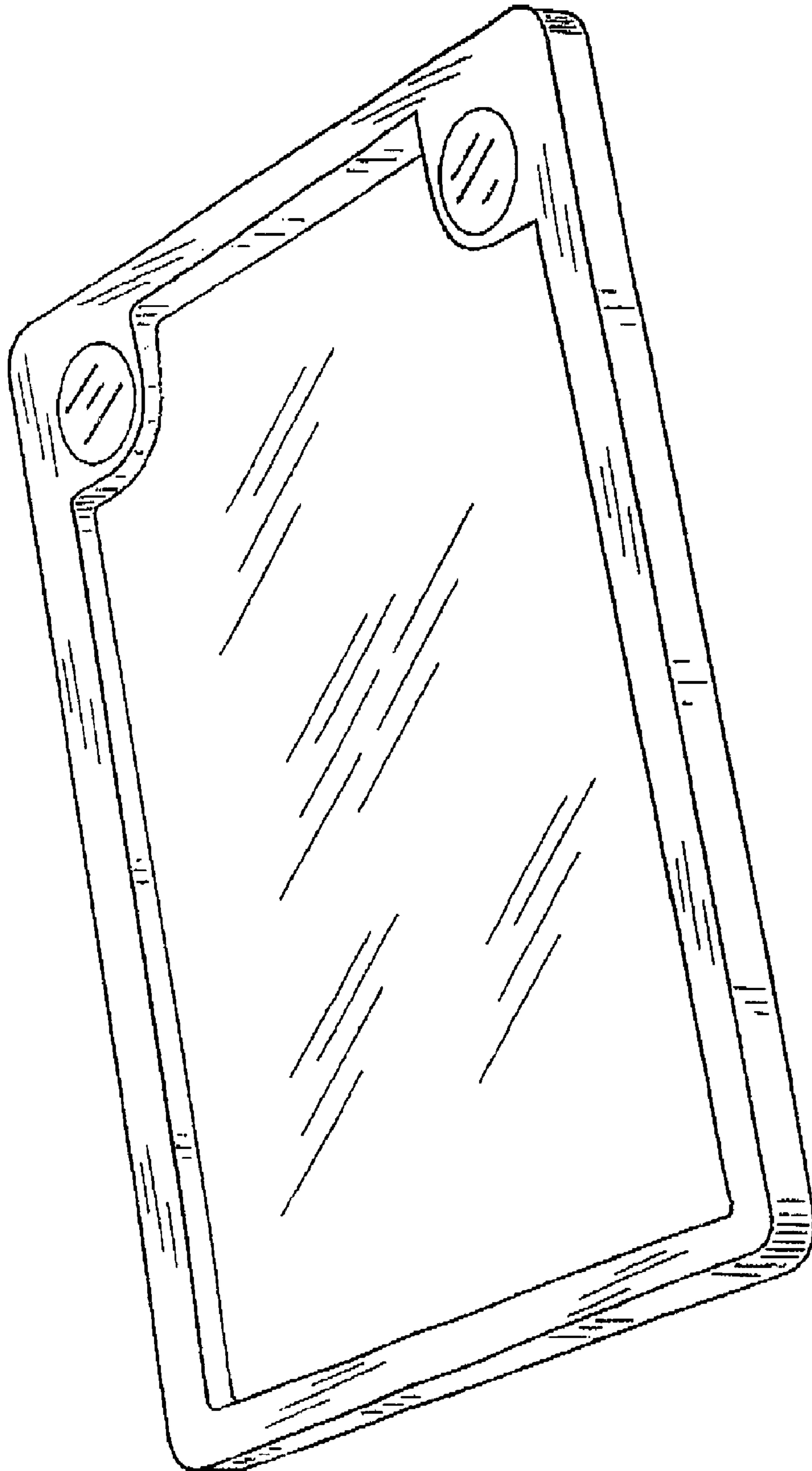


FIG. 1



FIG. 3

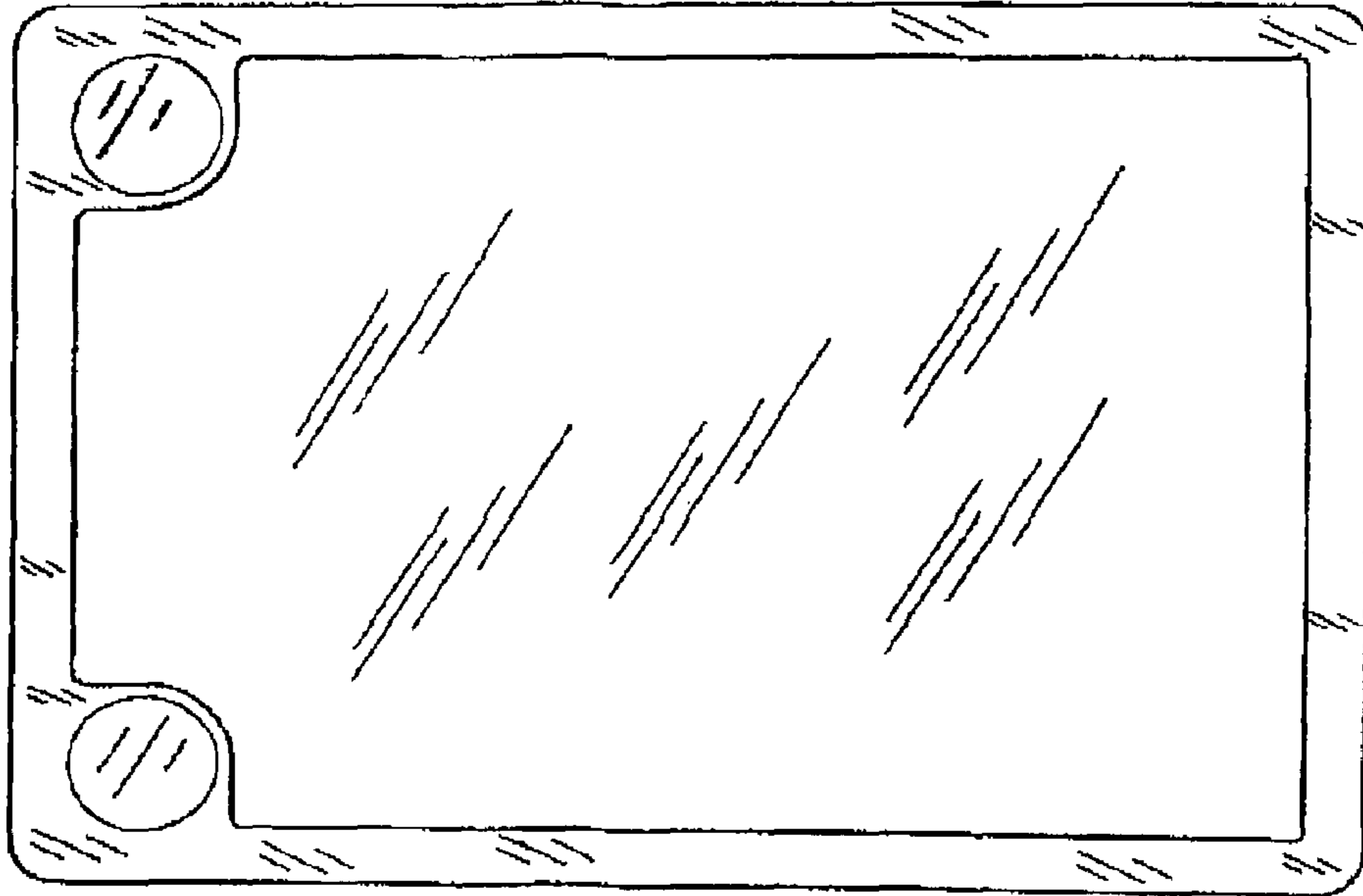


FIG. 2

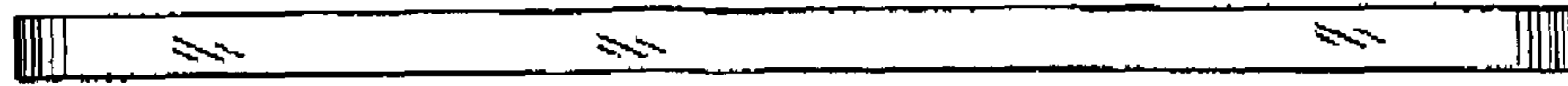


FIG. 4