

US00D548356S

(12) **United States Design Patent** (10) **Patent No.:** **US D548,356 S**
Lai (45) **Date of Patent:** **** Aug. 7, 2007**

(54) **MESSAGE TOOL**

D381,765 S * 7/1997 Mandigo D28/7
D495,422 S * 8/2004 Chen D24/214

(76) Inventor: **Tzn-Yung Lai**, 3F-12, No. 26,
Yuan-Luh Road, Yuan-Lin Town,
Chaung-Hwa County (TW)

* cited by examiner

(**) Term: **14 Years**

Primary Examiner—Ian Simmons
Assistant Examiner—Melanie Levy
(74) *Attorney, Agent, or Firm*—Bacon & Thomas, PLLC

(21) Appl. No.: **29/268,963**

(57) **CLAIM**

(22) Filed: **Nov. 17, 2006**

The ornamental design for a massage tool, as shown.

(51) **LOC (8) Cl.** **28-03**

DESCRIPTION

(52) **U.S. Cl.** **D24/214**

(58) **Field of Classification Search** D24/200,
D24/211–215; 601/131, 134–138, 15, 46,
601/78, 93, 94, 118, 122, 128, 126, 129, 130,
601/123; D28/7, 59

FIG. 1 shows a perspective view of the present design.
FIG. 2 shows a right side elevational view of the present design.
FIG. 3 shows a top plan view of the present design.
FIG. 4 shows a front elevational view of the present design.
FIG. 5 shows a bottom plan view of the present design.
FIG. 6 shows a left side elevational view of the present design; and,
FIG. 7 shows a rear elevational view of the present design.

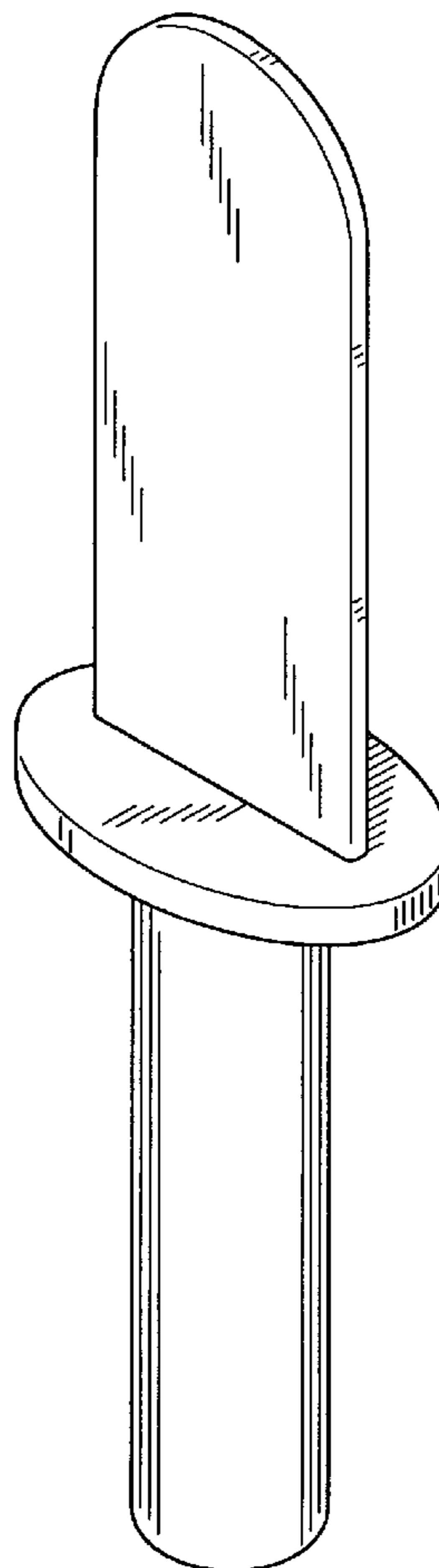
See application file for complete search history.

(56) **References Cited**

U.S. PATENT DOCUMENTS

D40,158 S * 7/1909 Appel D24/214
D100,256 S * 7/1936 Butler D24/214
D197,107 S * 12/1963 Forgue D28/7
D257,541 S * 11/1980 Fox et al. D28/59

1 Claim, 4 Drawing Sheets



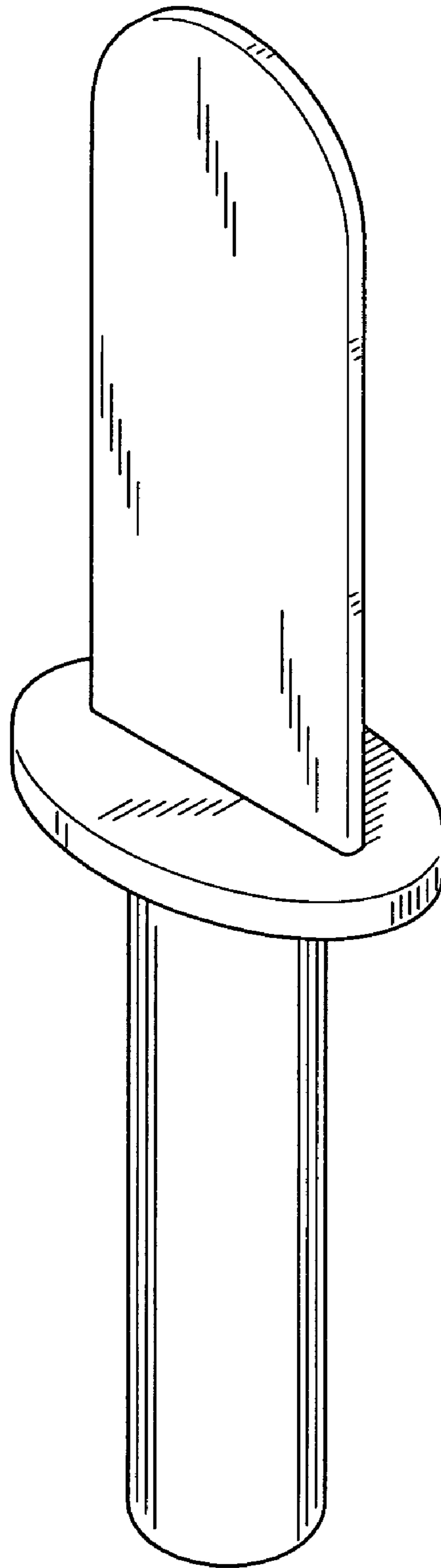


FIG. 1

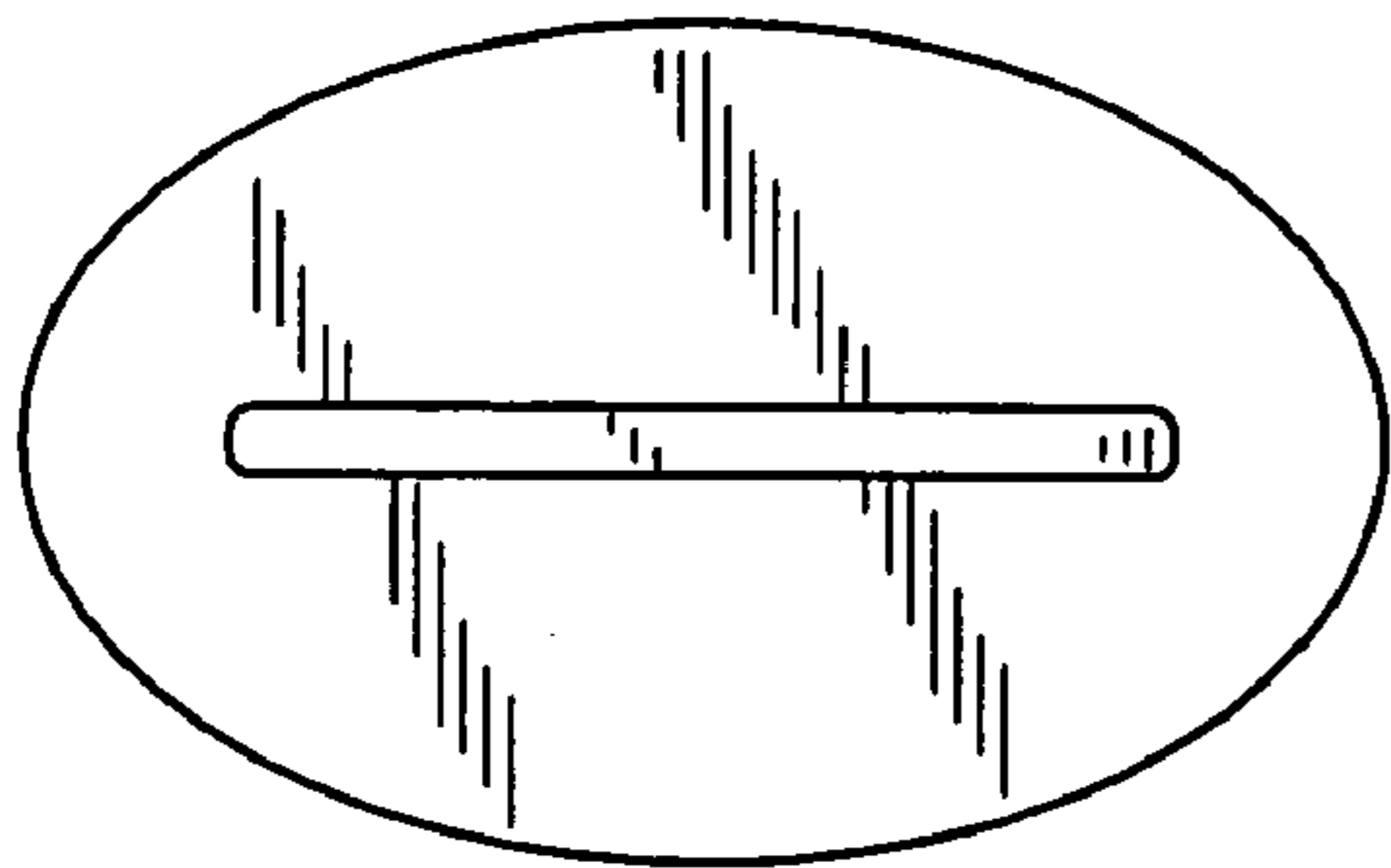


FIG. 3

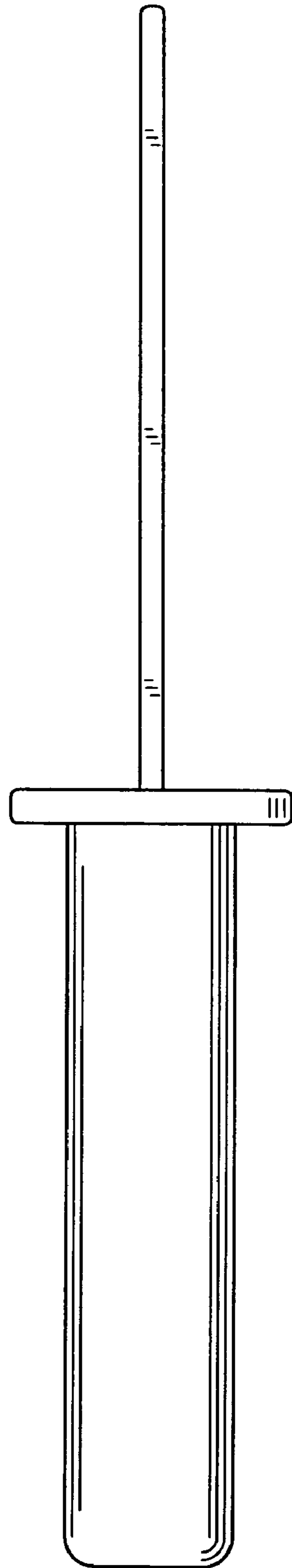


FIG. 2

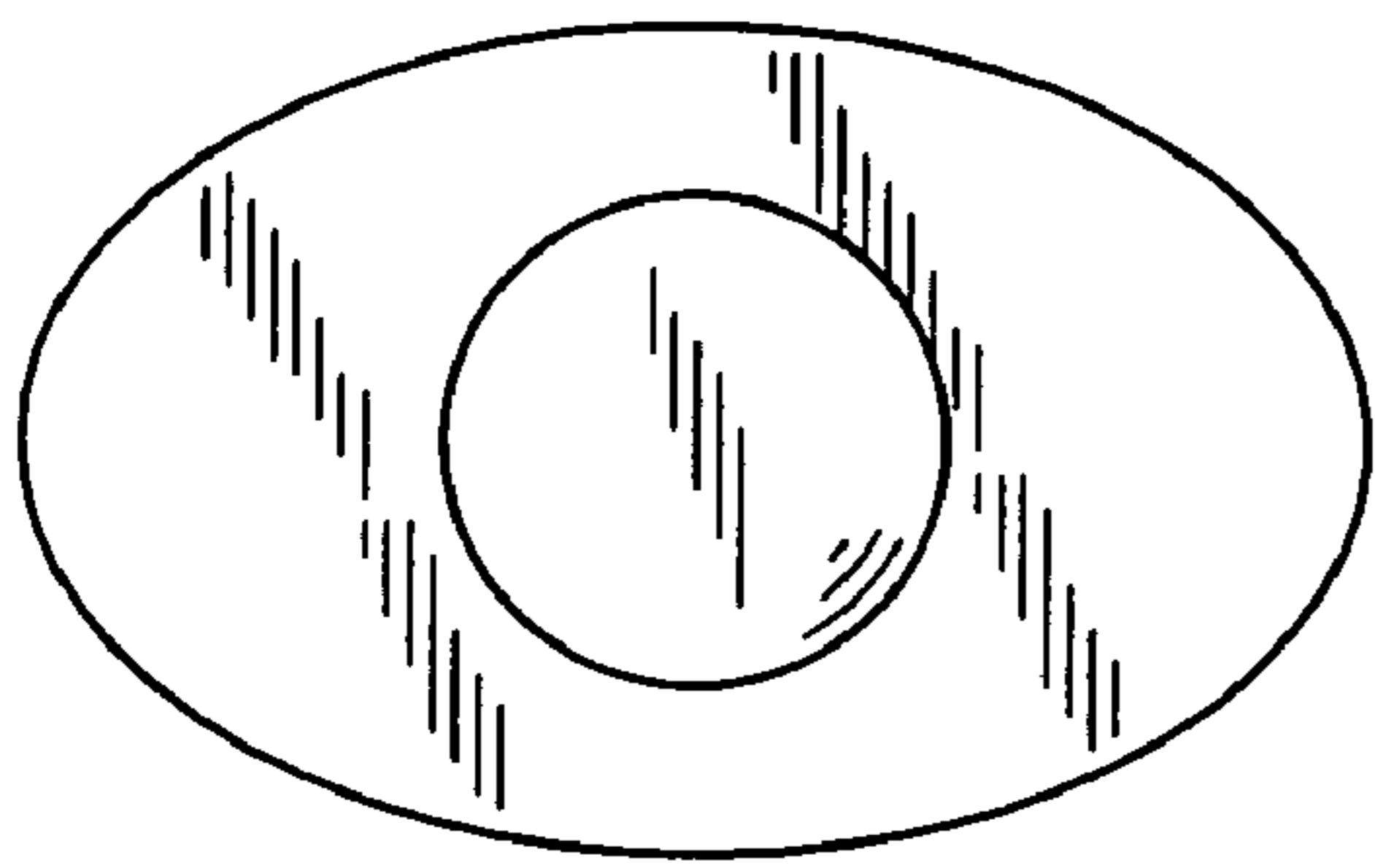


FIG. 5

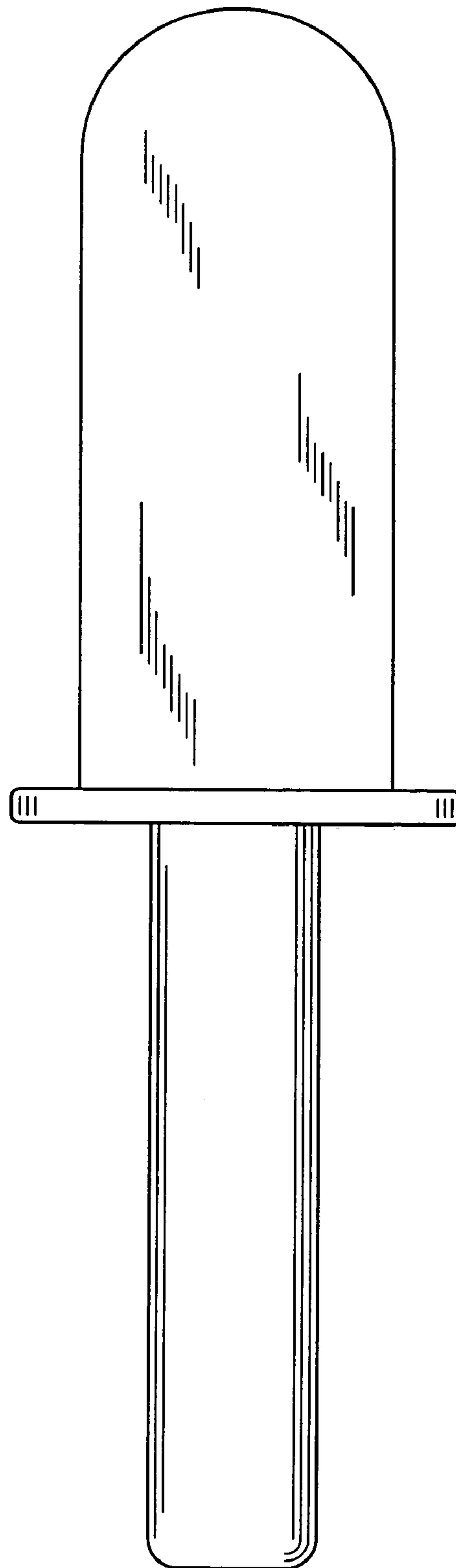


FIG. 4

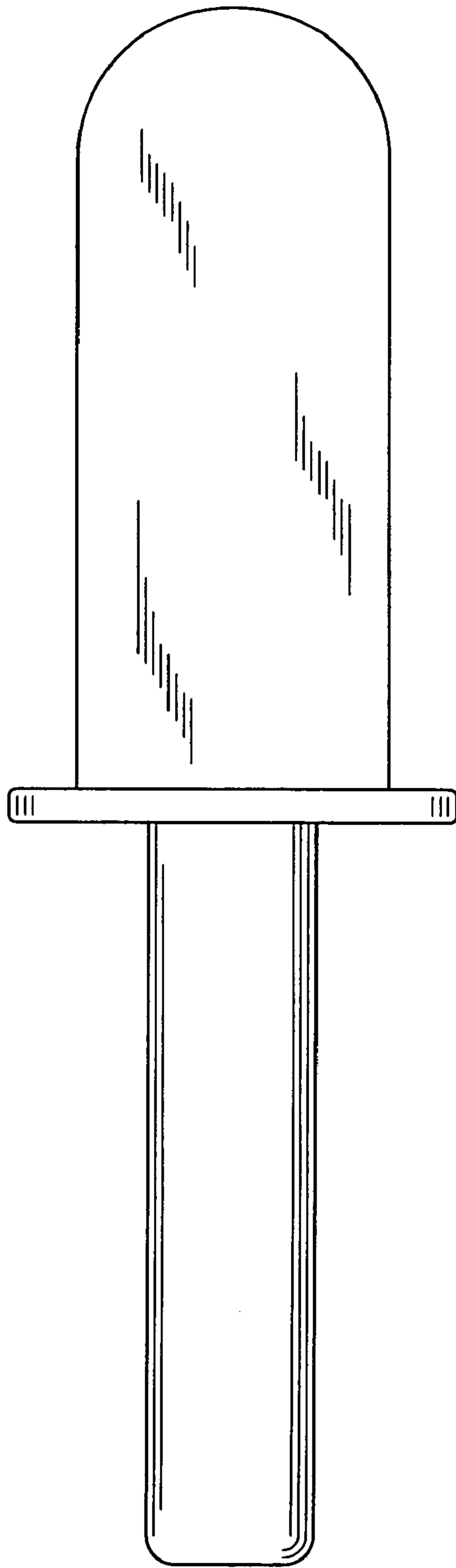


FIG. 7

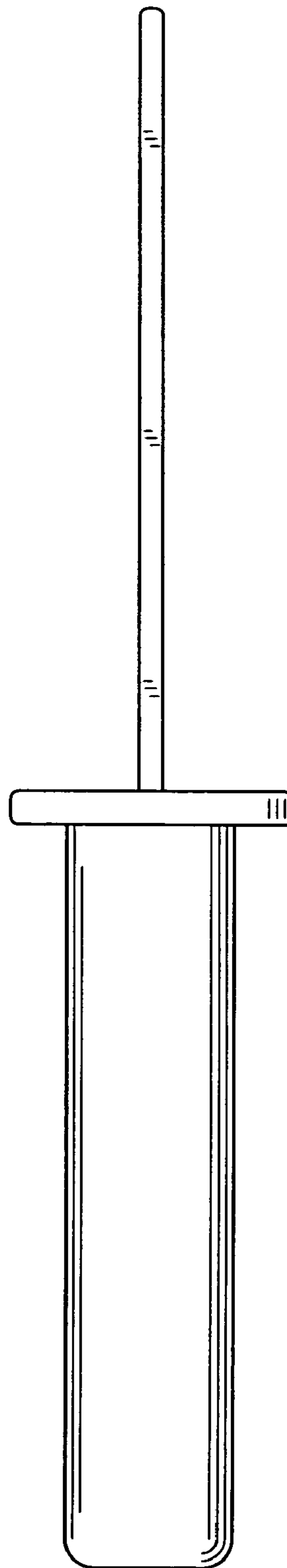


FIG. 6