



US00D548354S

(12) **United States Design Patent**
Lai

(10) **Patent No.:** **US D548,354 S**

(45) **Date of Patent:** **** Aug. 7, 2007**

(54) **MASSAGER**

D515,702 S * 2/2006 Nan D24/215

(76) Inventor: **Tzn-Yung Lai**, 3F-12, No. 26,
Yuan-Luh Road, Yuan-Lin Town,
Chaung-Hwa County (TW)

* cited by examiner

Primary Examiner—Ian Simmons

Assistant Examiner—Melanie Levy

(74) *Attorney, Agent, or Firm*—Bacon & Thomas, PLLC

(**) Term: **14 Years**

(21) Appl. No.: **29/268,960**

(57) **CLAIM**

(22) Filed: **Nov. 17, 2006**

The ornamental design for a massager, as shown.

(51) **LOC (8) Cl.** **28-03**

(52) **U.S. Cl.** **D24/214; D24/215**

(58) **Field of Classification Search** D24/200,
D24/211–215; 601/131, 134–138, 15, 46,
601/78, 93, 94, 118, 122, 128, 126, 129, 130,
601/123

See application file for complete search history.

DESCRIPTION

FIG. 1 shows a perspective view of the present design.

FIG. 2 shows a right side elevational view of the present design.

FIG. 3 shows a top plan view of the present design.

FIG. 4 shows a front elevational view of the present design.

FIG. 5 shows a bottom plan view of the present design.

FIG. 6 shows a left side elevational view of the present design; and,

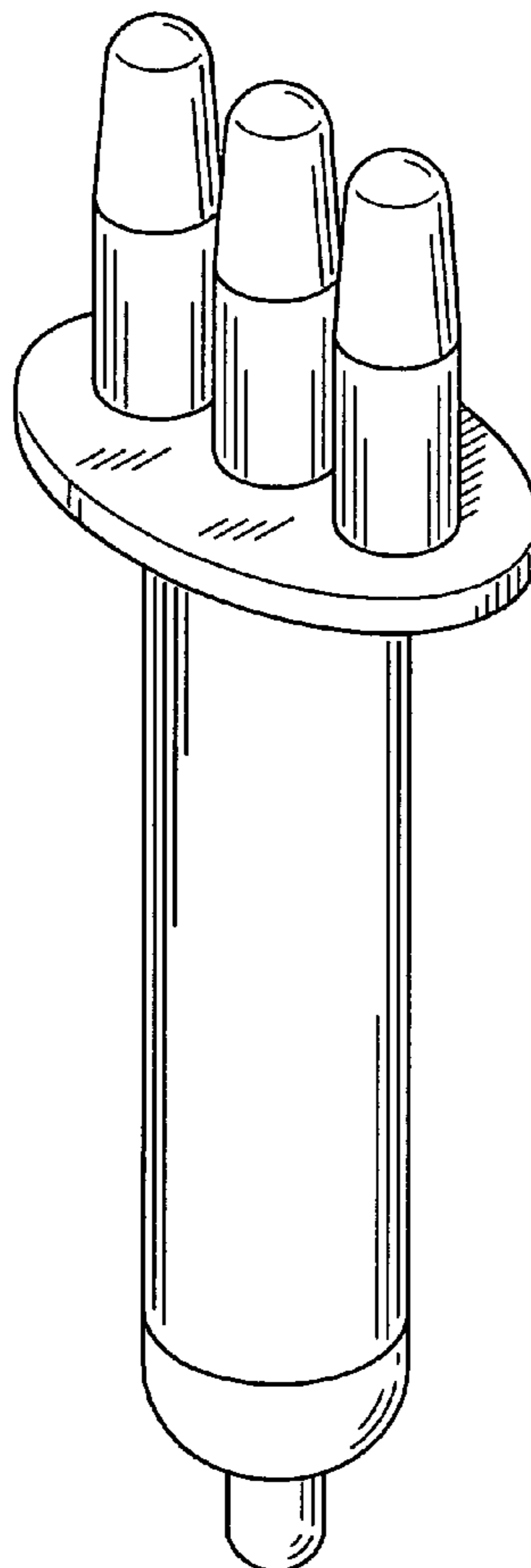
FIG. 7 shows a rear elevational view of the present design.

(56) **References Cited**

U.S. PATENT DOCUMENTS

| | | | | |
|----------------|---------|-------------|-------|---------|
| D412,752 S * | 8/1999 | Forbes | | D24/211 |
| 6,663,580 B1 * | 12/2003 | Adams | | 601/111 |
| D497,259 S * | 10/2004 | Lion et al. | | D4/136 |
| D510,440 S * | 10/2005 | Huang | | D24/211 |

1 Claim, 4 Drawing Sheets



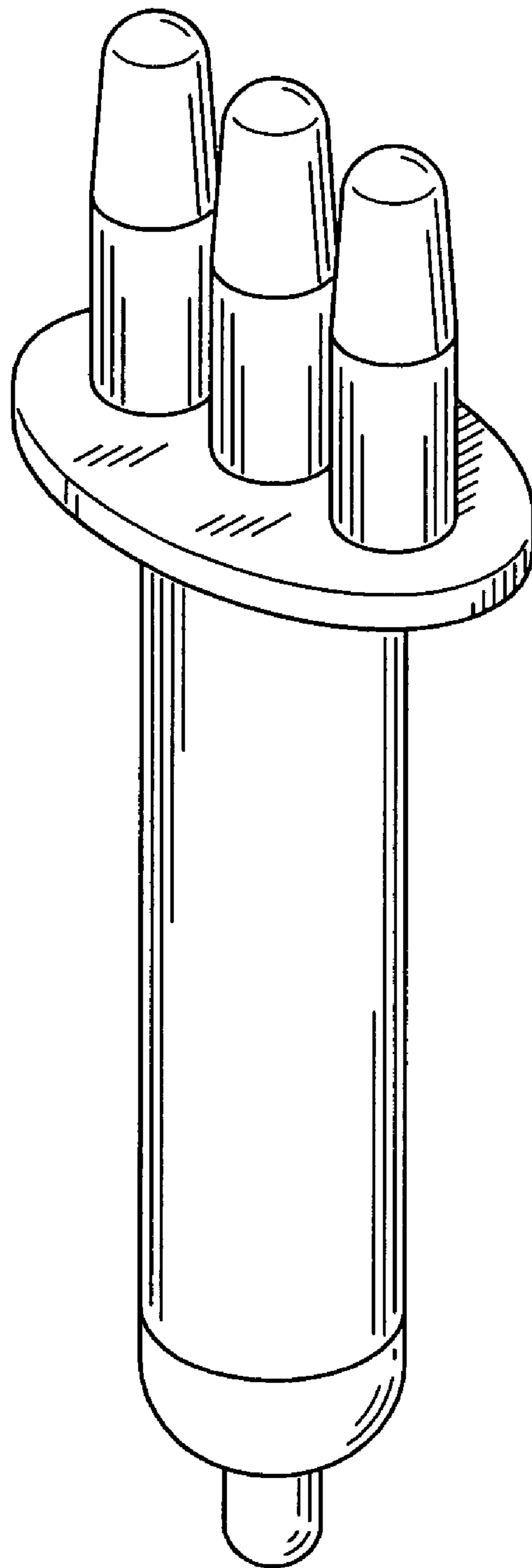


FIG. 1

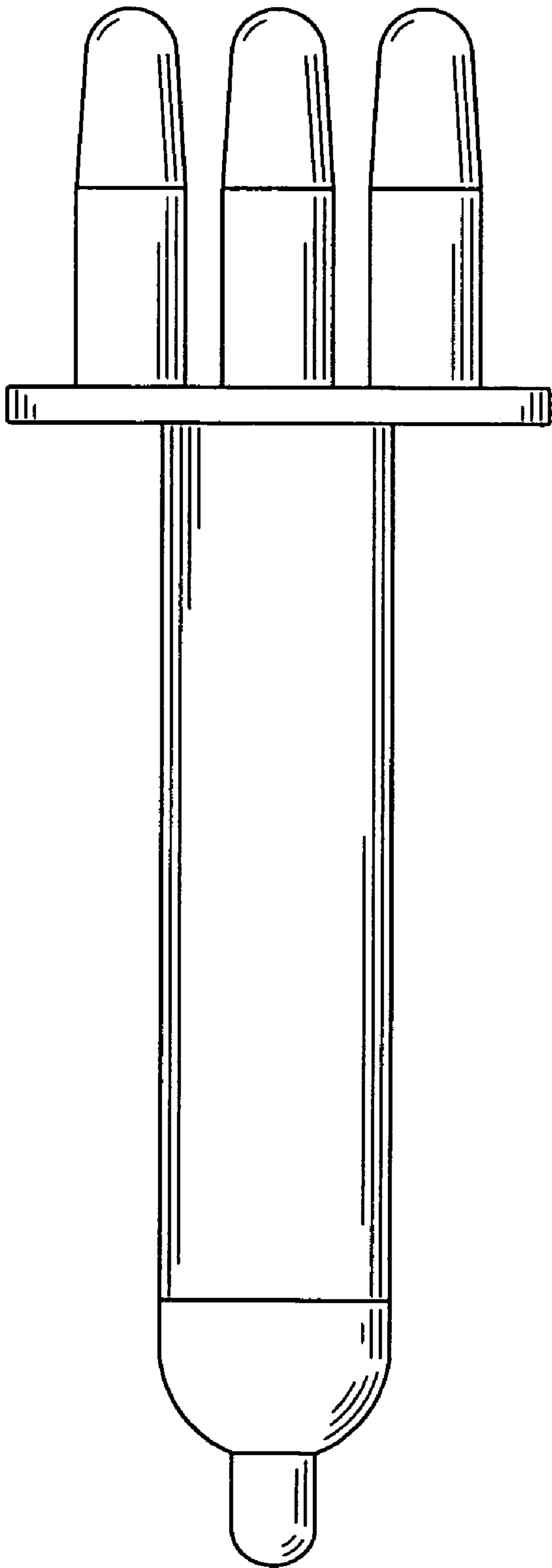


FIG. 4

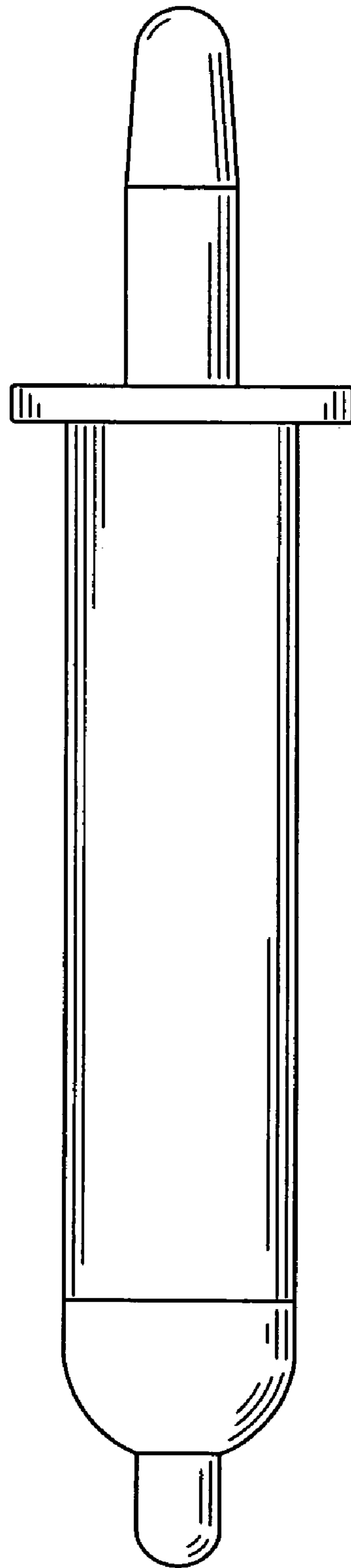


FIG. 2

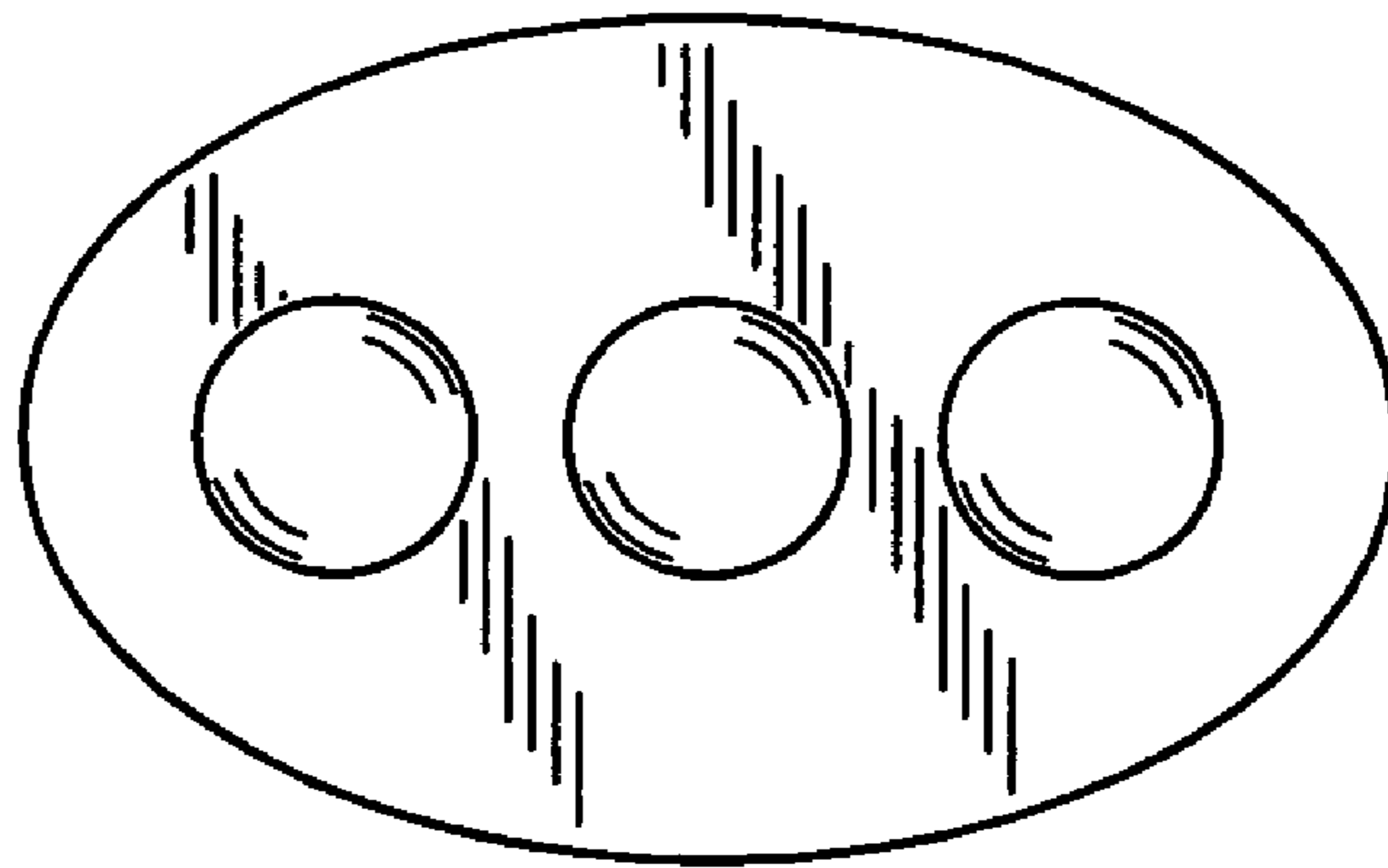


FIG. 3

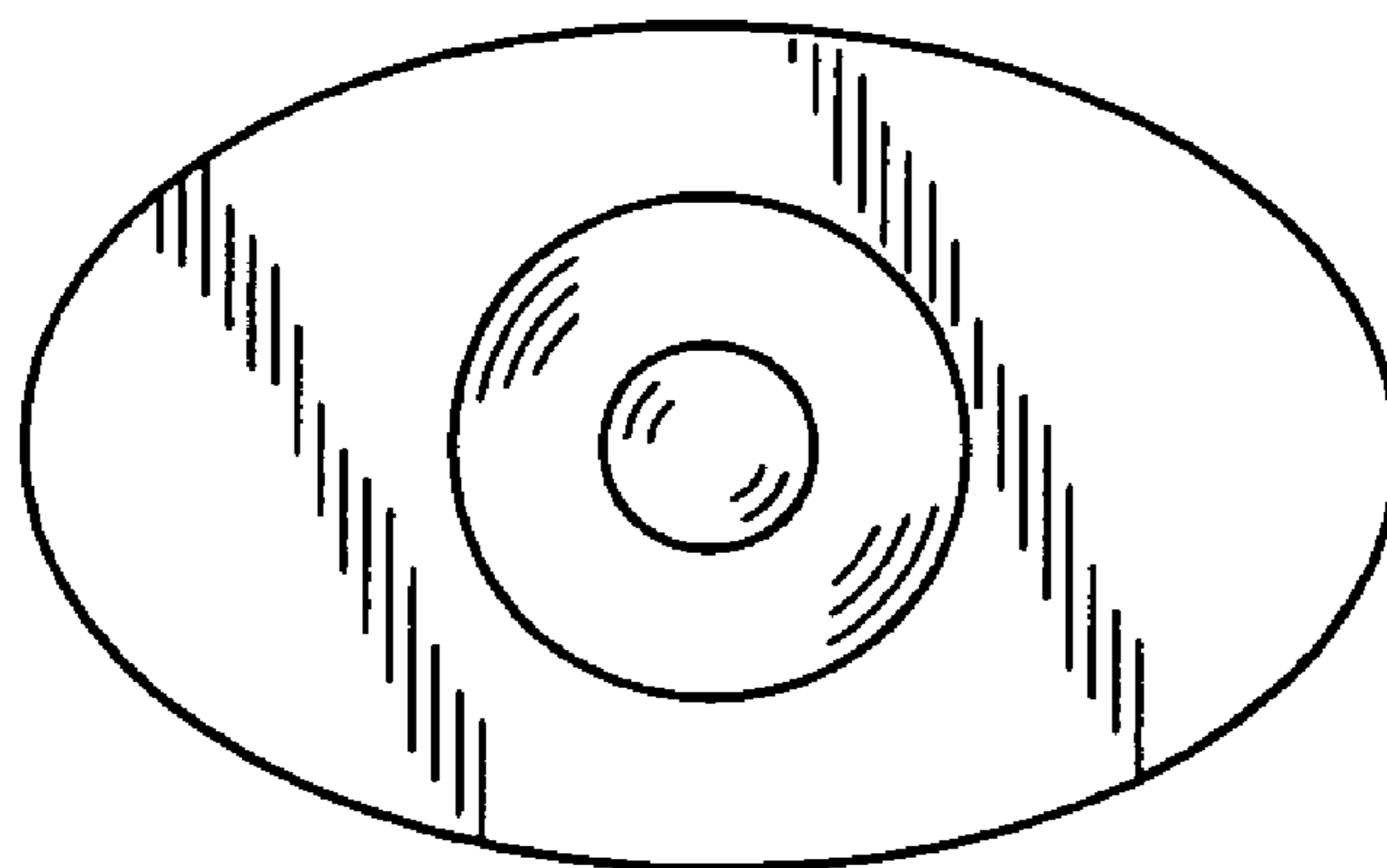


FIG. 5

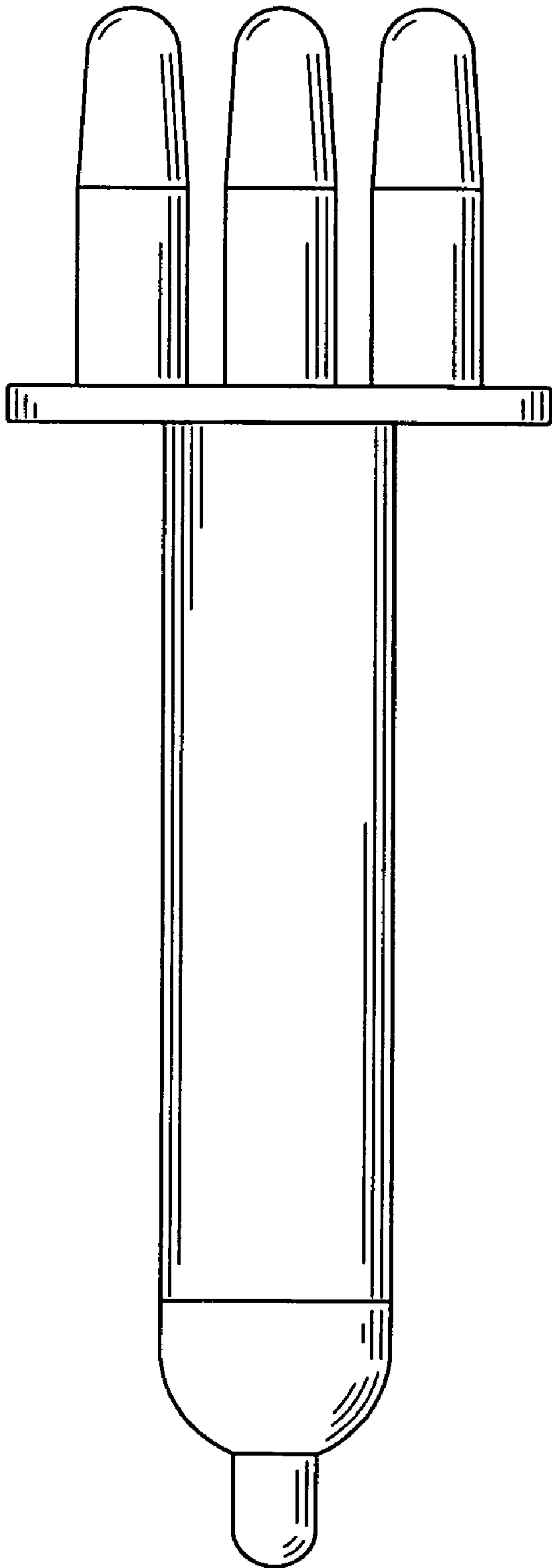


FIG. 7

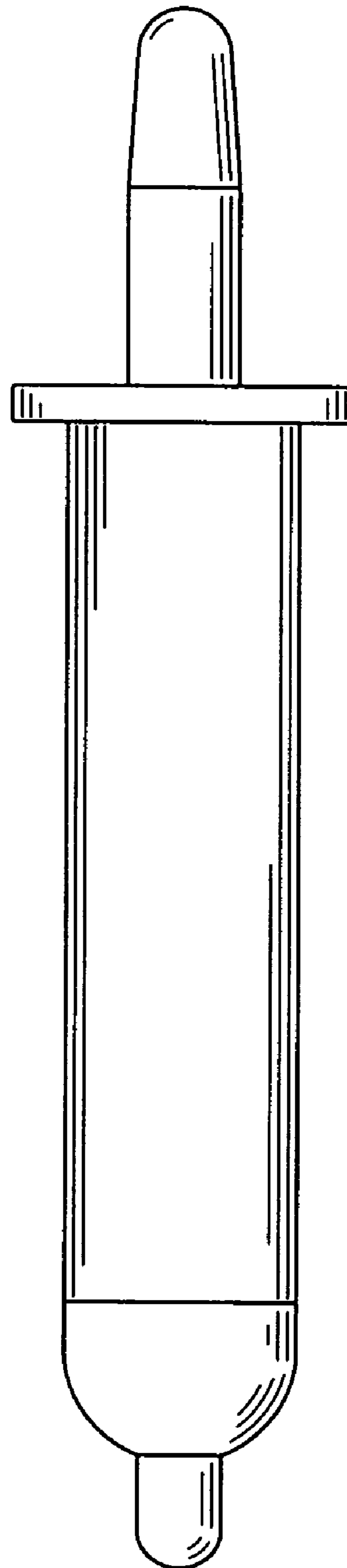


FIG. 6