

US00D548353S

(12) **United States Design Patent**  
**Maesawa et al.**

(10) **Patent No.:** **US D548,353 S**

(45) **Date of Patent:** **\*\* Aug. 7, 2007**

(54) **ELECTRIC MASSAGER**

(75) Inventors: **Naoki Maesawa**, Tokyo (JP); **Taro Mochida**, Tokyo (JP)

(73) Assignee: **Matsushita Electric Works, Ltd.**, Osaka (JP)

(\*\*) Term: **14 Years**

(21) Appl. No.: **29/244,742**

(22) Filed: **Dec. 14, 2005**

(30) **Foreign Application Priority Data**

Jun. 15, 2005 (JP) ..... 2005-017289

(51) **LOC (8) Cl.** ..... **28-03**

(52) **U.S. Cl.** ..... **D24/212**

(58) **Field of Classification Search** ..... D24/200,  
D24/212, 213, 215; 601/23, 27, 28, 29, 30,  
601/34, 35, 36, 46, 61, 90, 95, 97, 84-86  
See application file for complete search history.

(56) **References Cited**

**U.S. PATENT DOCUMENTS**

D234,828 S	*	4/1975	McNair	.....	D24/213
D340,116 S	*	10/1993	Ohashi	.....	D24/213
D358,656 S	*	5/1995	Chang	.....	D24/213
D414,560 S	*	9/1999	Higashi et al.	.....	D24/215
D435,299 S	*	12/2000	Chou	.....	D24/213
D444,884 S	*	7/2001	Huang	.....	D24/213

6,285,144 B1	*	9/2001	Shih	.....	601/23
D477,415 S	*	7/2003	Miyake et al.	.....	D24/212
D524,947 S	*	7/2006	Gleason et al.	.....	D24/213
2003/0050579 A1	*	3/2003	Hsieh et al.	.....	601/104
2004/0243029 A1	*	12/2004	Shimizu	.....	601/90

\* cited by examiner

*Primary Examiner*—Ian Simmons

*Assistant Examiner*—Melanie Levy

(74) *Attorney, Agent, or Firm*—Osha Liang LLP

(57) **CLAIM**

The ornamental design for an electronic massager, as shown and described.

**DESCRIPTION**

FIG. 1 is a perspective view of the design according to the invention.

FIG. 2 is a top view of the design according to the invention.

FIG. 3 is a bottom view of the design according to the invention.

FIG. 4 is a rear view of the design according to the invention.

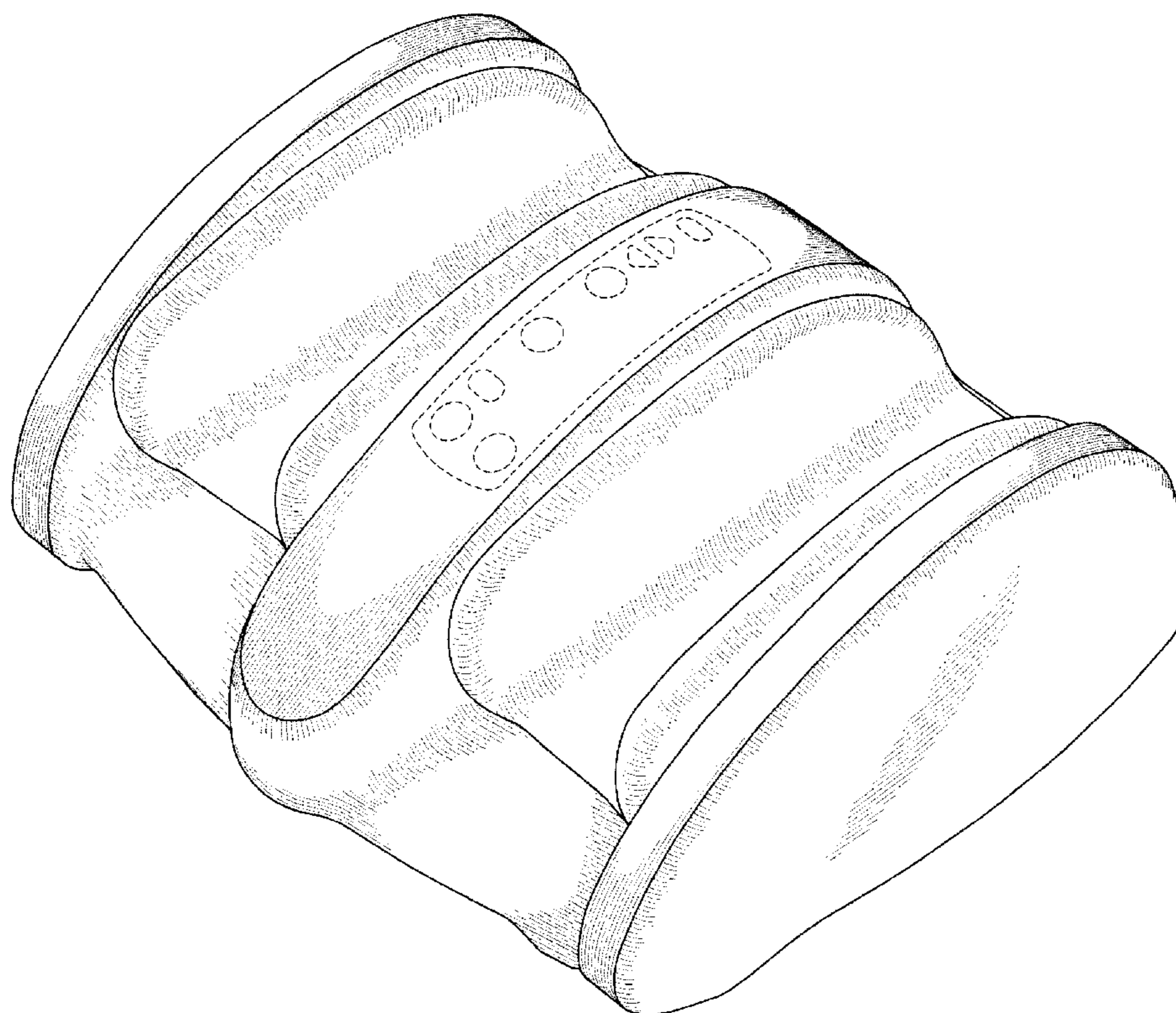
FIG. 5 is a front view of the design according to the invention.

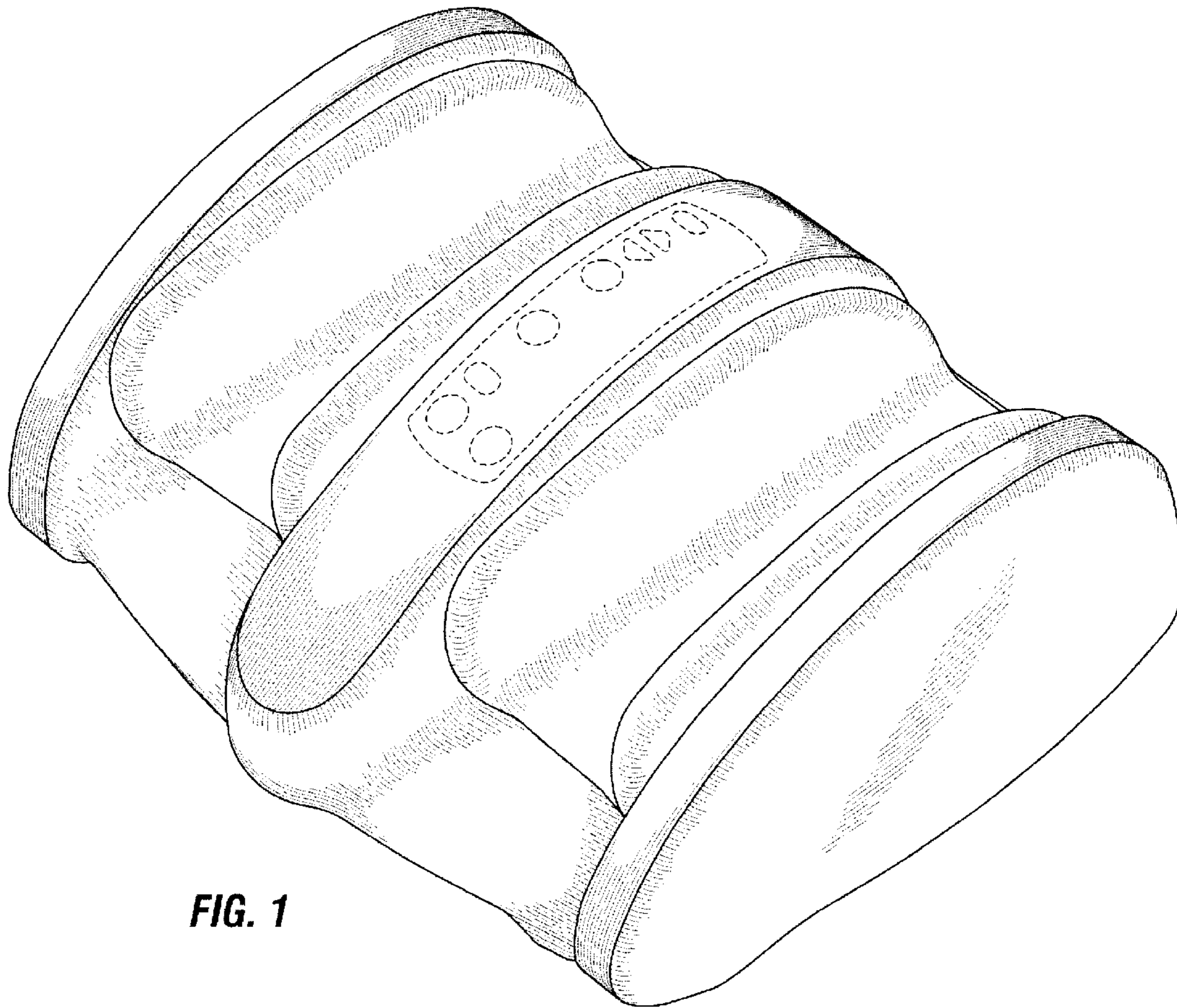
FIG. 6 is a right side view of the design according to the invention; and,

FIG. 7 is a left side view of the design according to the invention.

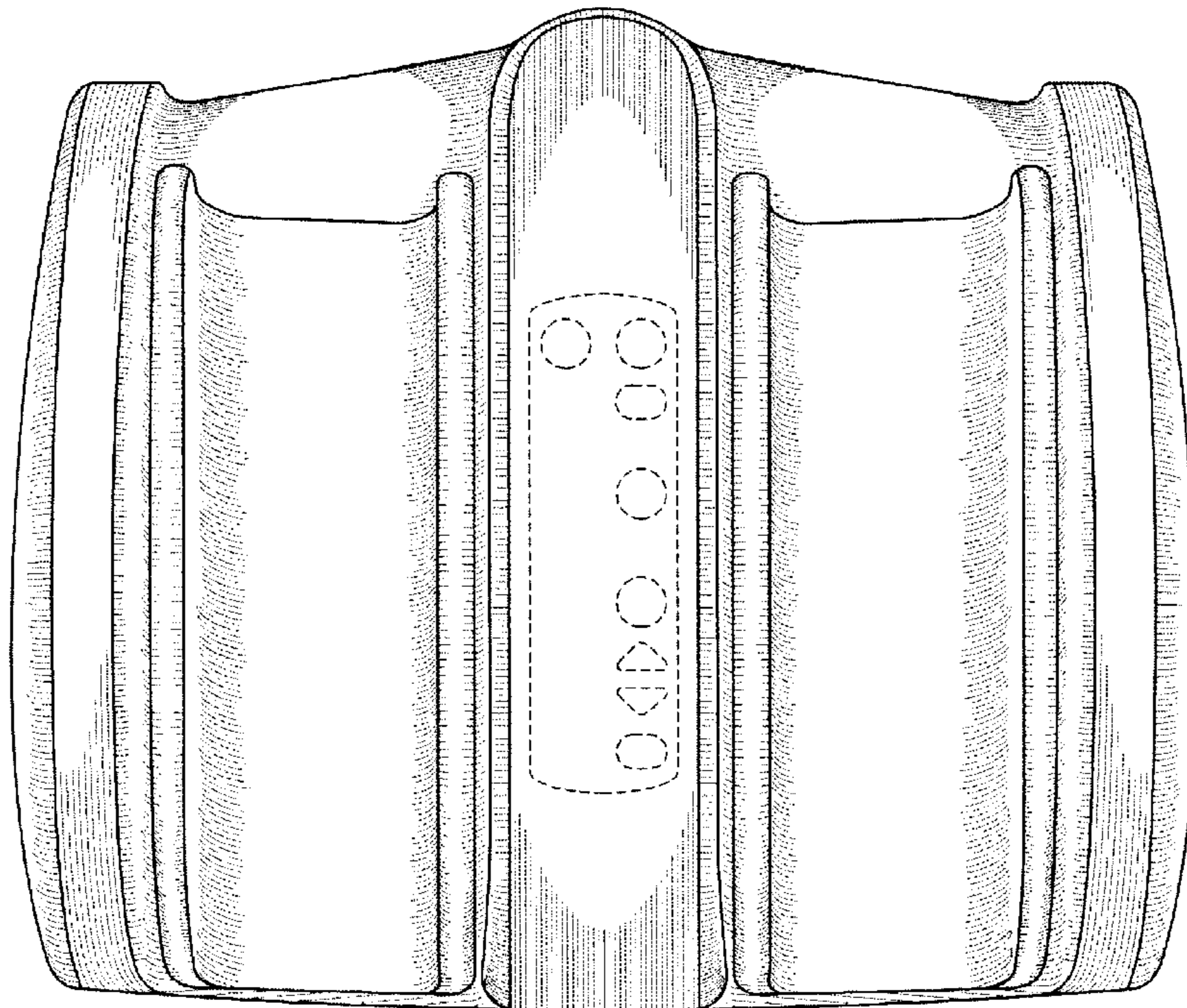
The portions in even broken lines are for illustrative purposes only and form no part of the claimed design.

**1 Claim, 4 Drawing Sheets**

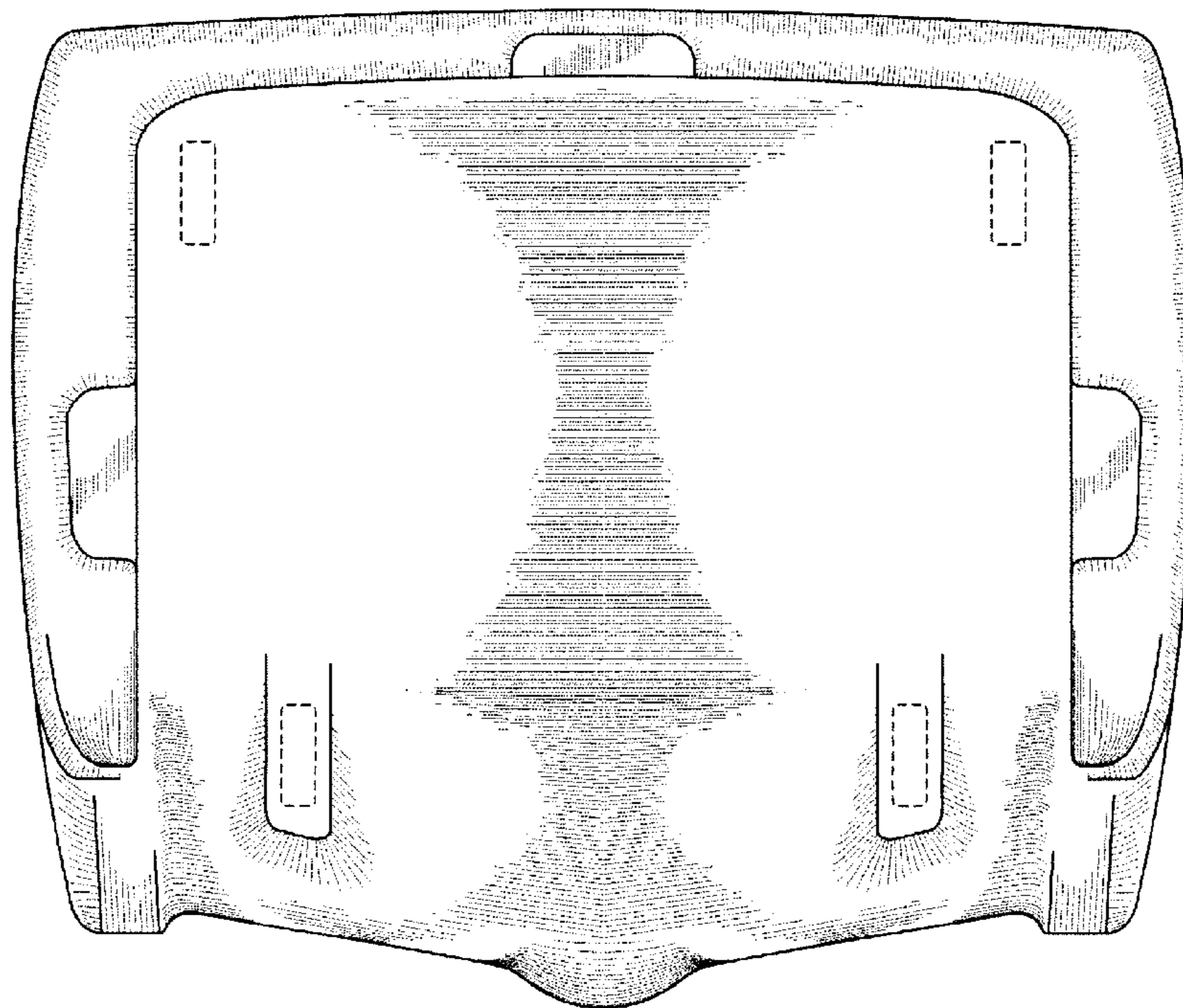




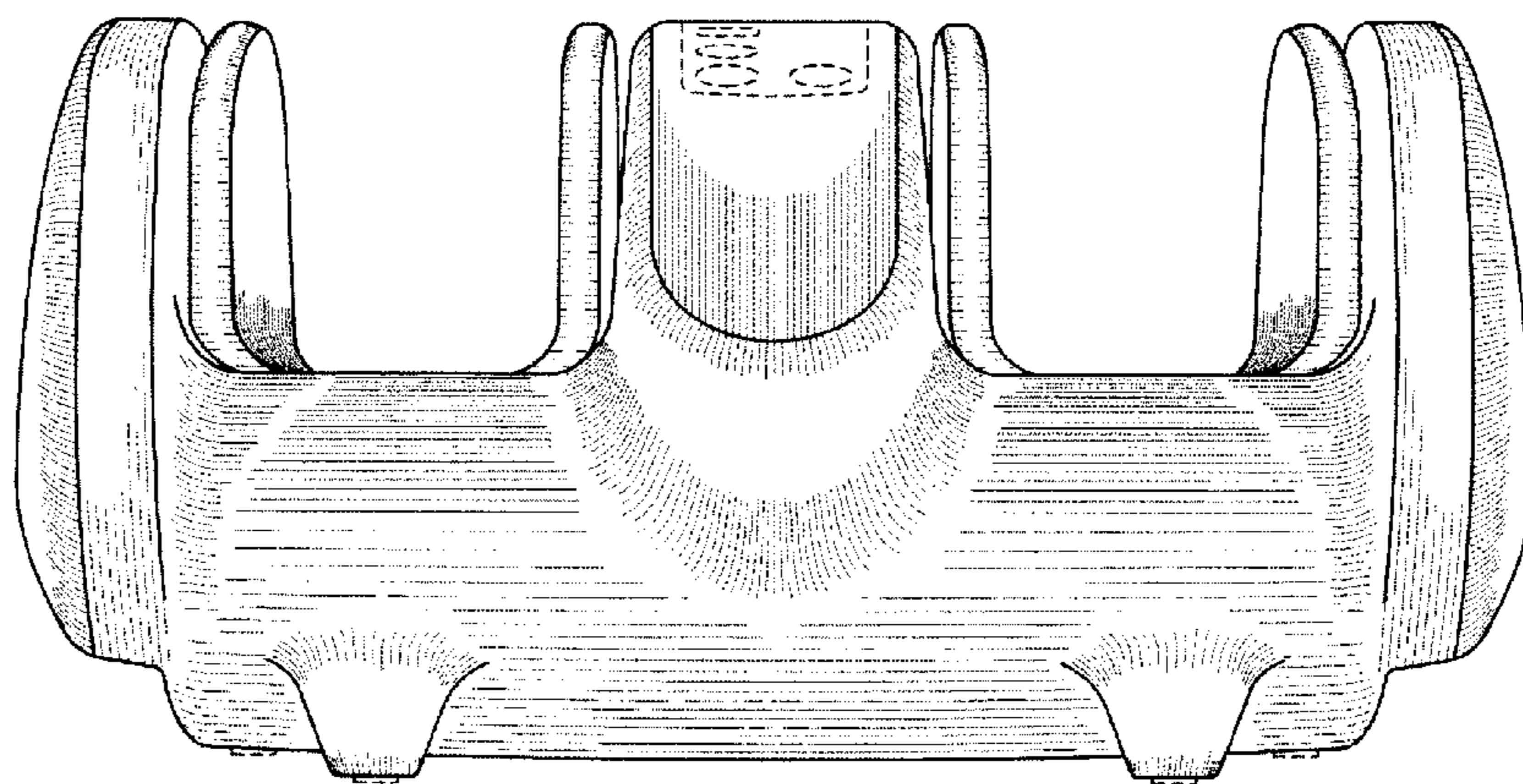
**FIG. 1**



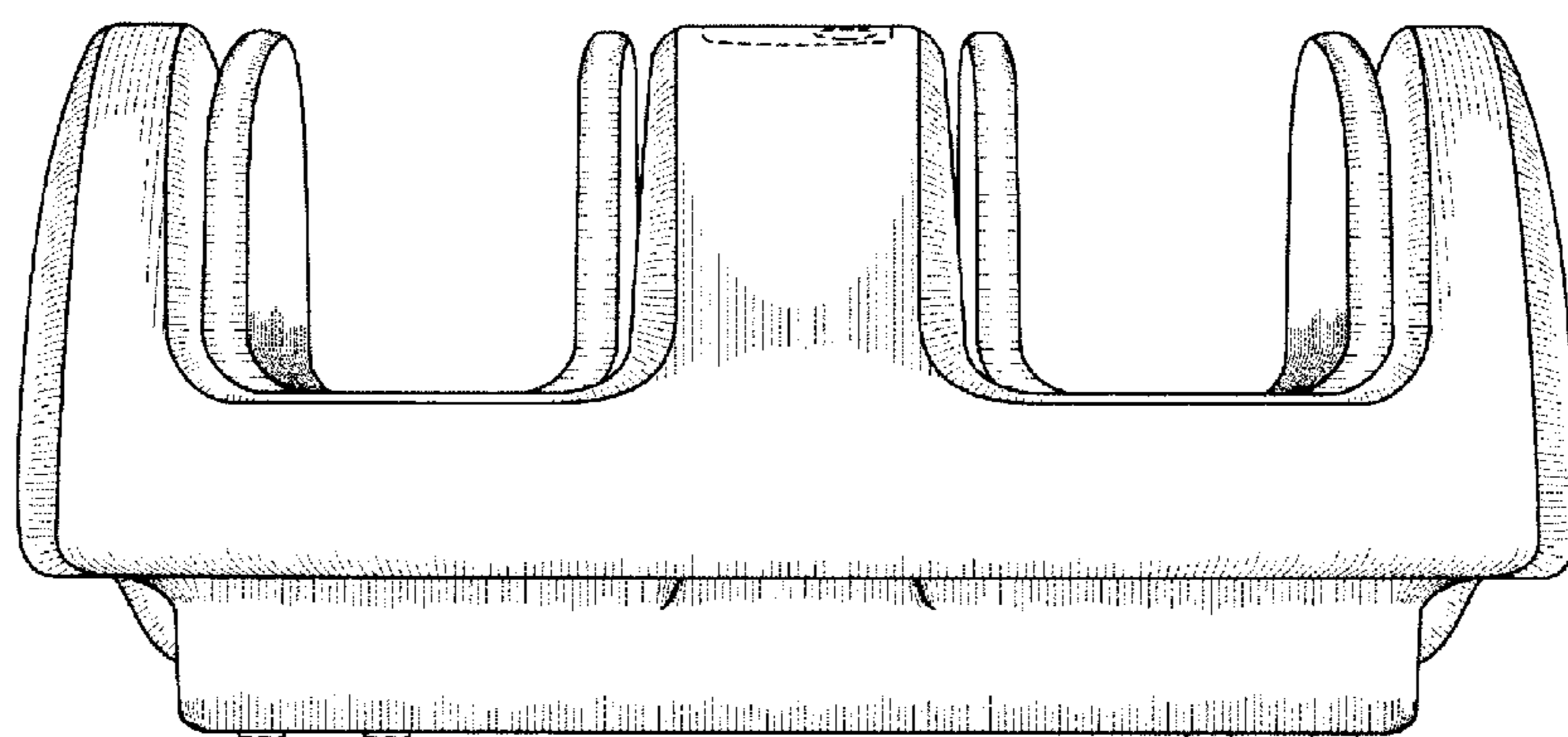
**FIG. 2**



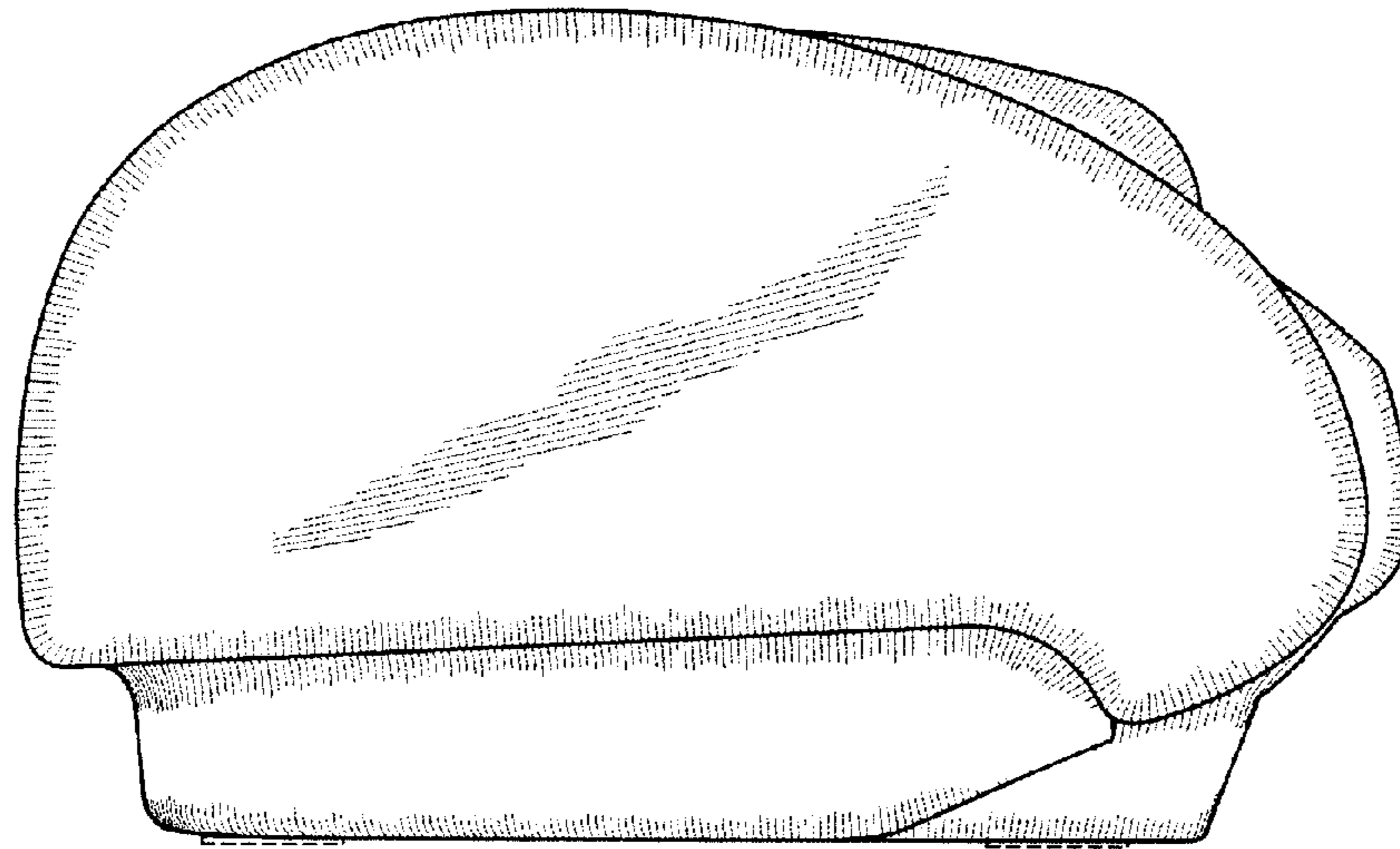
**FIG. 3**



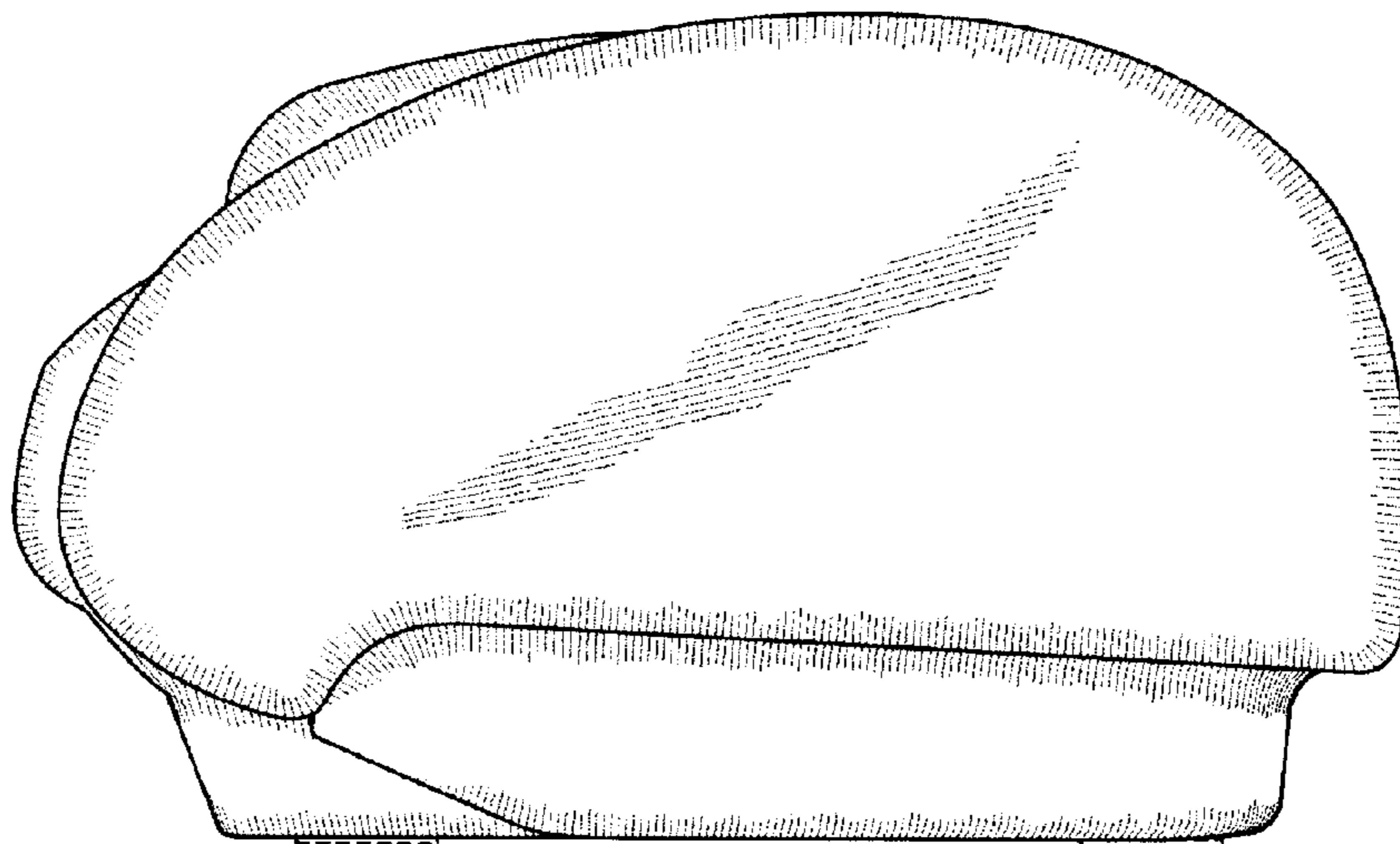
**FIG. 4**



**FIG. 5**



**FIG. 6**



**FIG. 7**