



US00D548352S

(12) **United States Design Patent**
Maesawa et al.

(10) **Patent No.:** **US D548,352 S**

(45) **Date of Patent:** **** Aug. 7, 2007**

(54) **ELECTRIC MASSAGER**

(75) Inventors: **Naoki Maesawa**, Tokyo (JP); **Taro Mochida**, Tokyo (JP)

(73) Assignee: **Matsushita Electric Works, Ltd.**, Osaka (JP)

(**) Term: **14 Years**

(21) Appl. No.: **29/244,670**

(22) Filed: **Dec. 13, 2005**

(30) **Foreign Application Priority Data**

Jun. 15, 2005 (JP) 2005-017288

(51) **LOC (8) Cl.** **28-03**

(52) **U.S. Cl.** **D24/212**

(58) **Field of Classification Search** D24/200,
D24/212, 213, 215; 601/23, 27, 28, 29, 30,
601/34, 35, 36, 46, 61, 90, 95, 97, 84-86
See application file for complete search history.

(56) **References Cited**

U.S. PATENT DOCUMENTS

D234,828 S	*	4/1975	McNair	D24/213
D340,116 S	*	10/1993	Ohashi	D24/213
D358,656 S	*	5/1995	Chang	D24/213
D414,560 S	*	9/1999	Higashi et al.	D24/215
D435,299 S	*	12/2000	Chou	D24/213
D444,884 S	*	7/2001	Huang	D24/213
6,285,144 B1	*	9/2001	Shih	601/23
D477,415 S	*	7/2003	Miyake et al.	D24/212
D524,947 S	*	7/2006	Gleason et al.	D24/213

2003/0050579 A1 * 3/2003 Hsieh et al. 601/104
2004/0243029 A1 * 12/2004 Shimizu 601/90

* cited by examiner

Primary Examiner—Ian Simmons

Assistant Examiner—Melanie Levy

(74) *Attorney, Agent, or Firm*—Osha Liang LLP.

(57) **CLAIM**

The ornamental design for an electronic massager, as shown and described.

DESCRIPTION

FIG. 1 is a perspective view of the design according to the invention.

FIG. 2 is a top view of the design according to the invention.

FIG. 3 is a bottom view of the design according to the invention.

FIG. 4 is a front view of the design according to the invention.

FIG. 5 is a rear view of the design according to the invention.

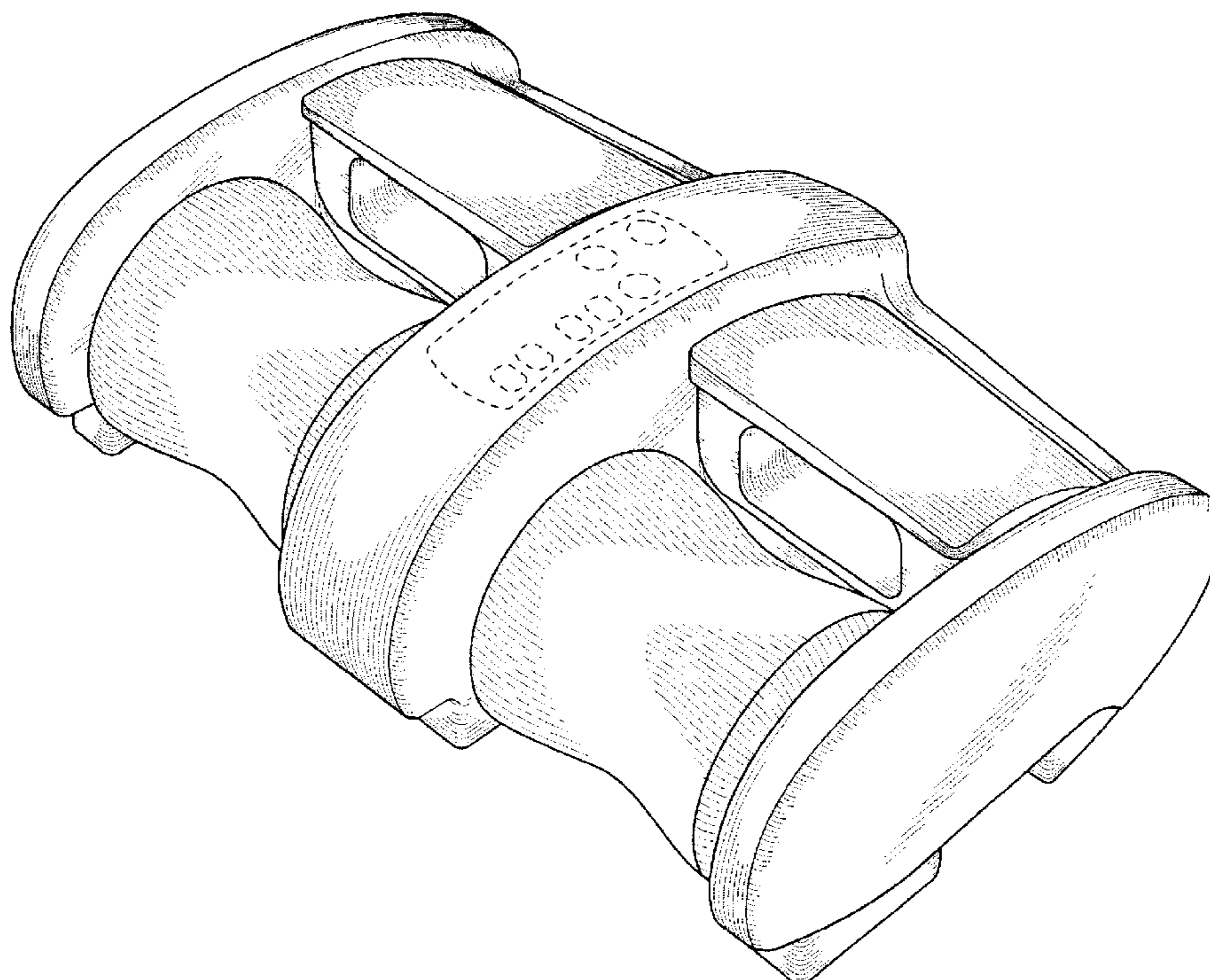
FIG. 6 is a left side view of the design according to the invention.

FIG. 7 is a right side view of the design according to the invention.

FIG. 8 is a perspective view of the design in an alternative position of the design according to the invention; and, FIG. 9 is a perspective view of the design in an alternative position of the design according to the invention.

The portions in even broken lines are for illustrative purposes only and form no part of the claimed design.

1 Claim, 5 Drawing Sheets



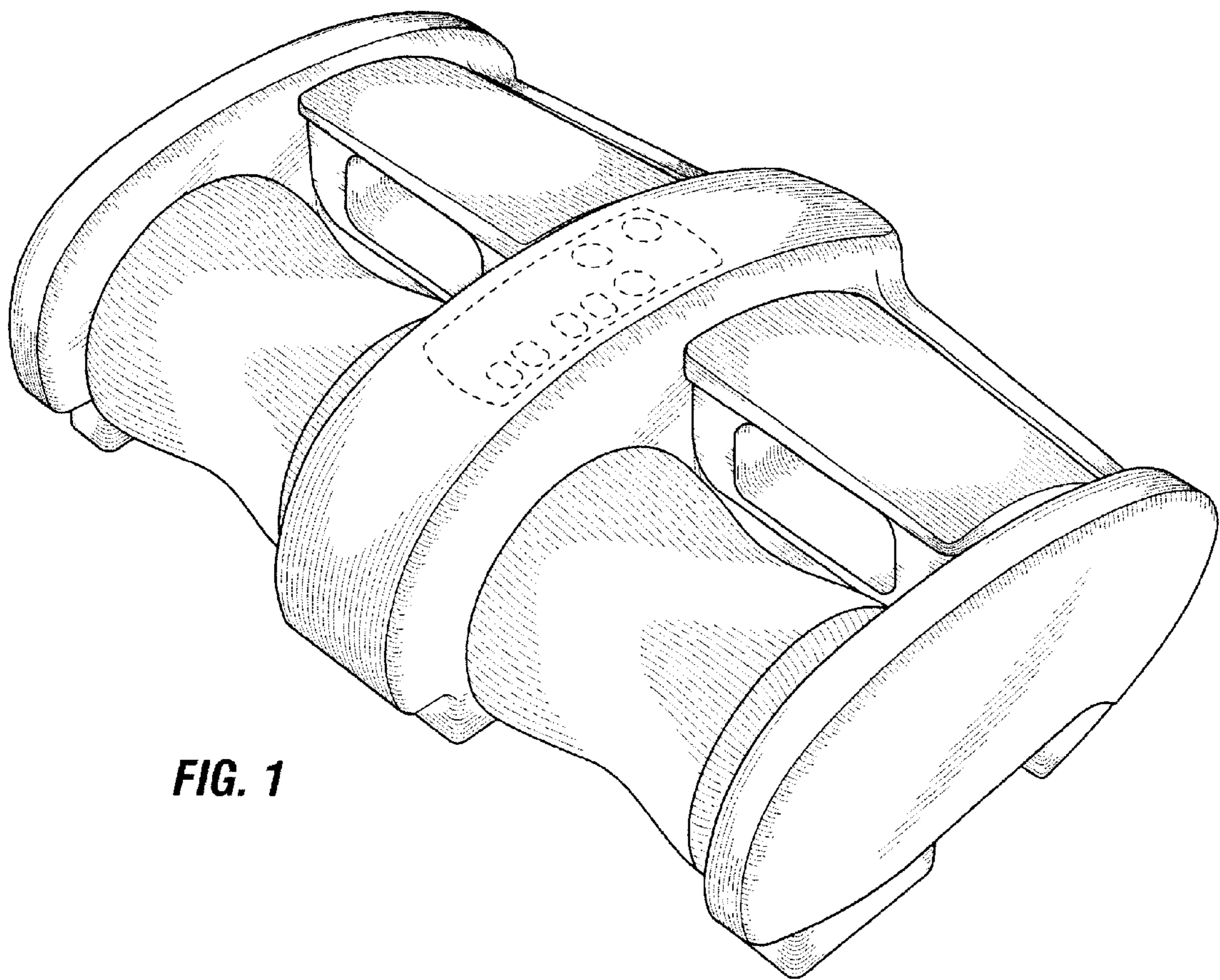


FIG. 1

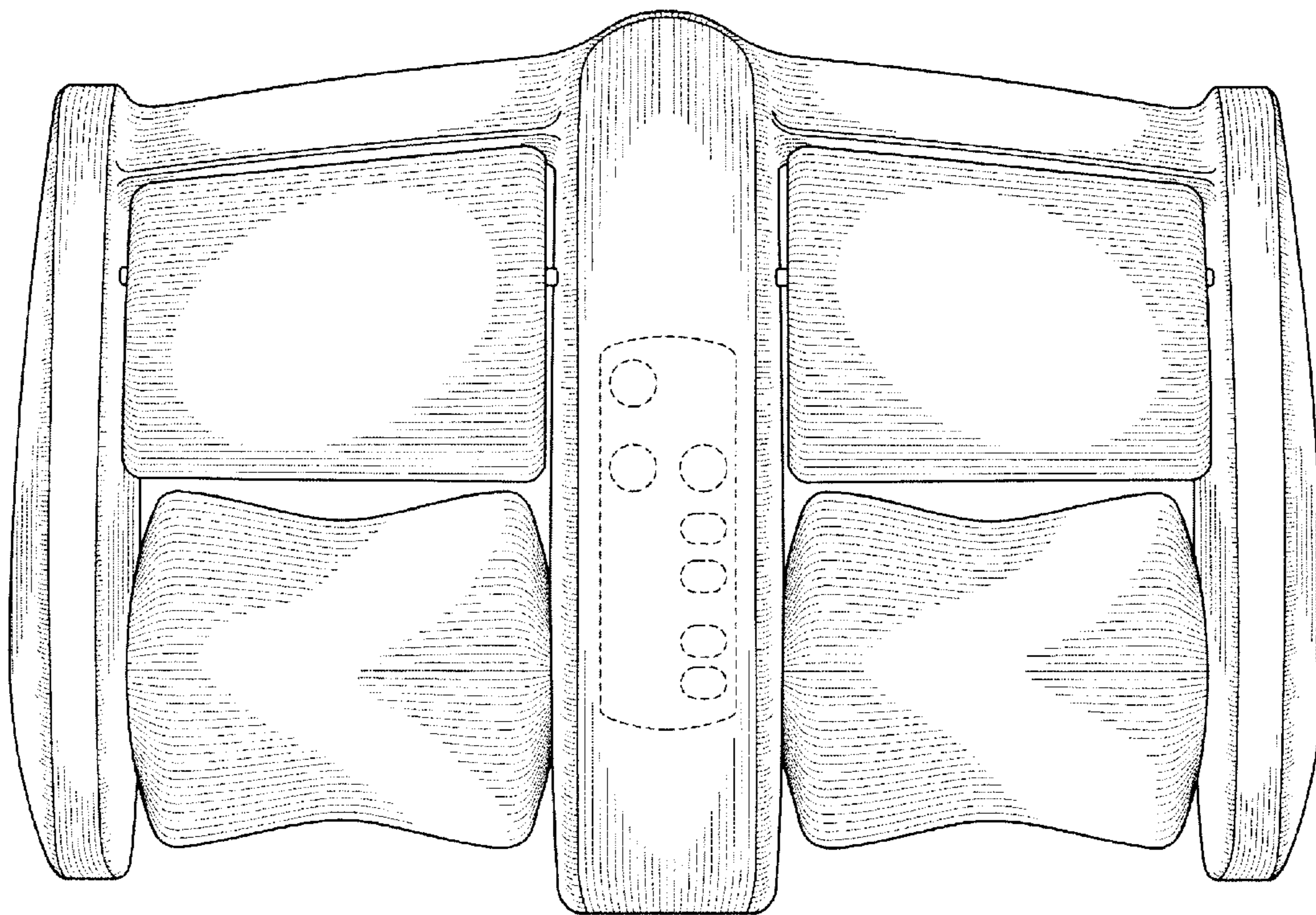


FIG. 2

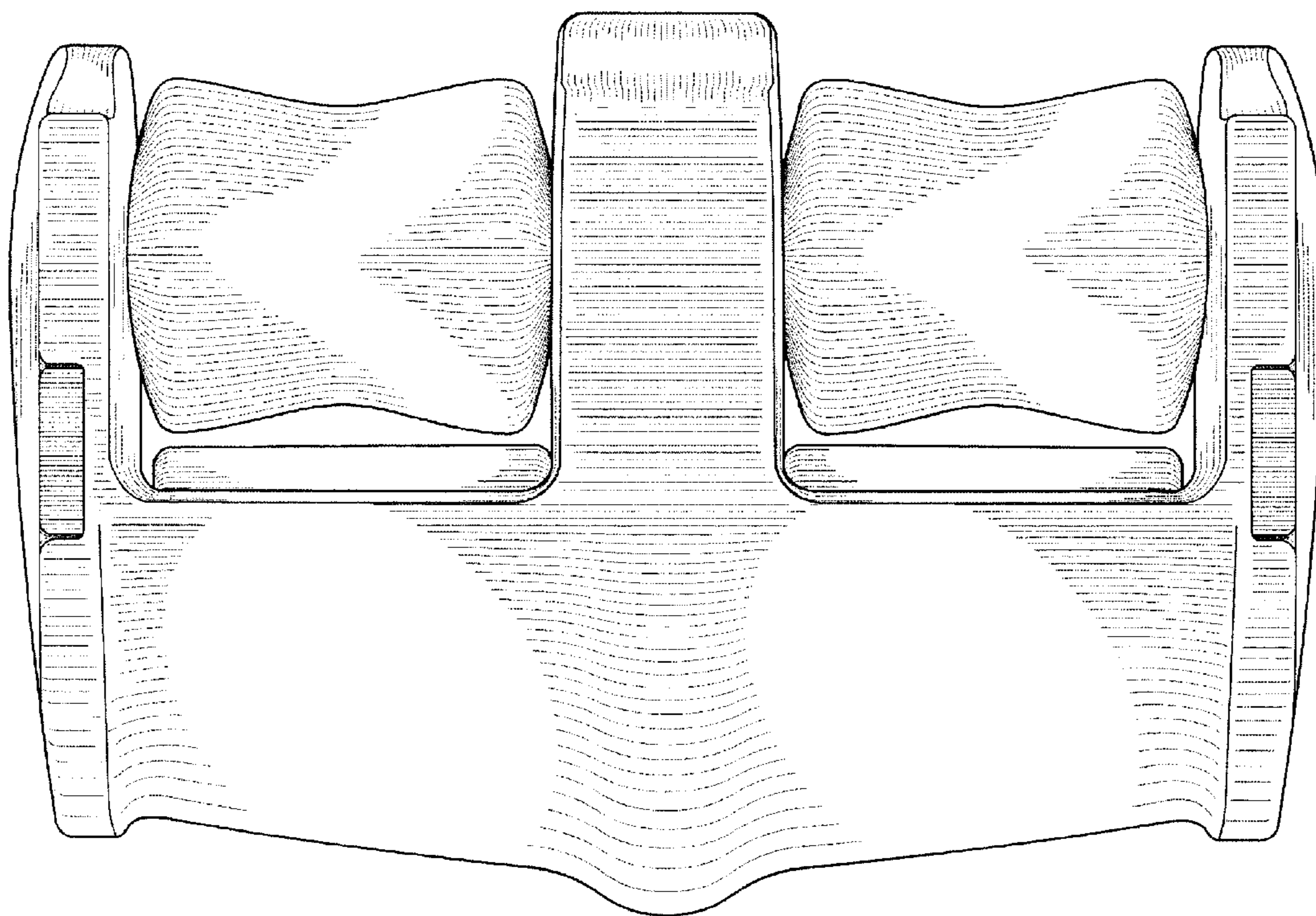


FIG. 3

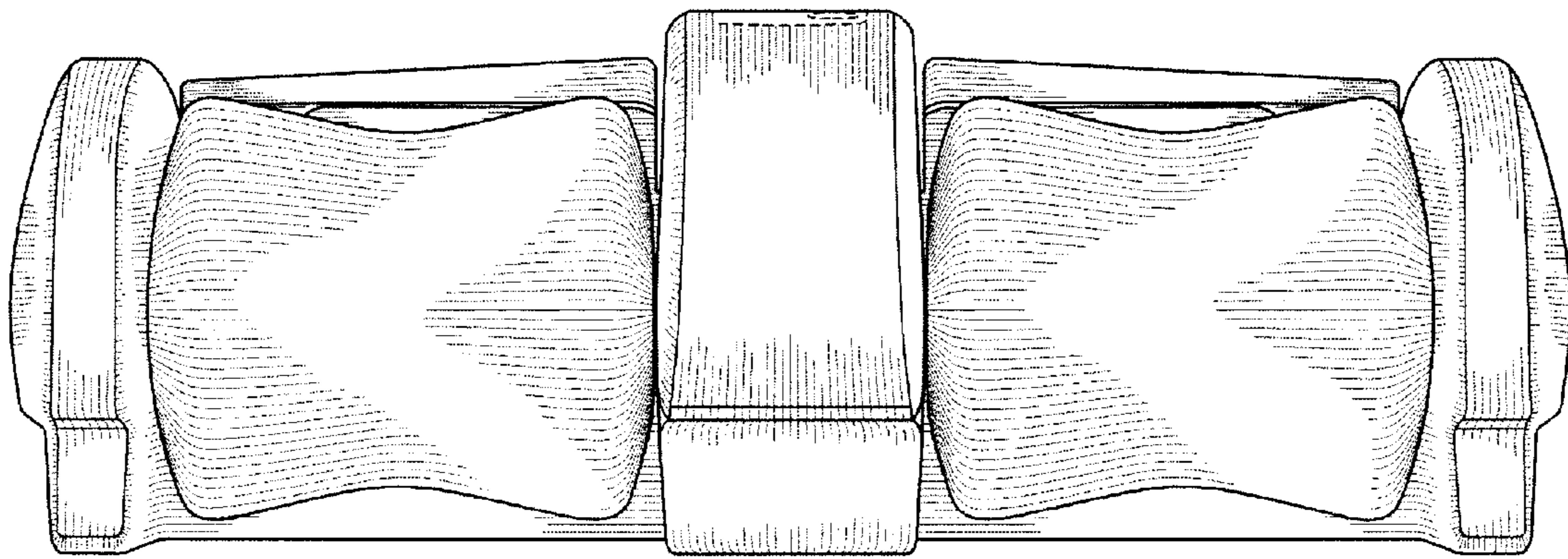


FIG. 4

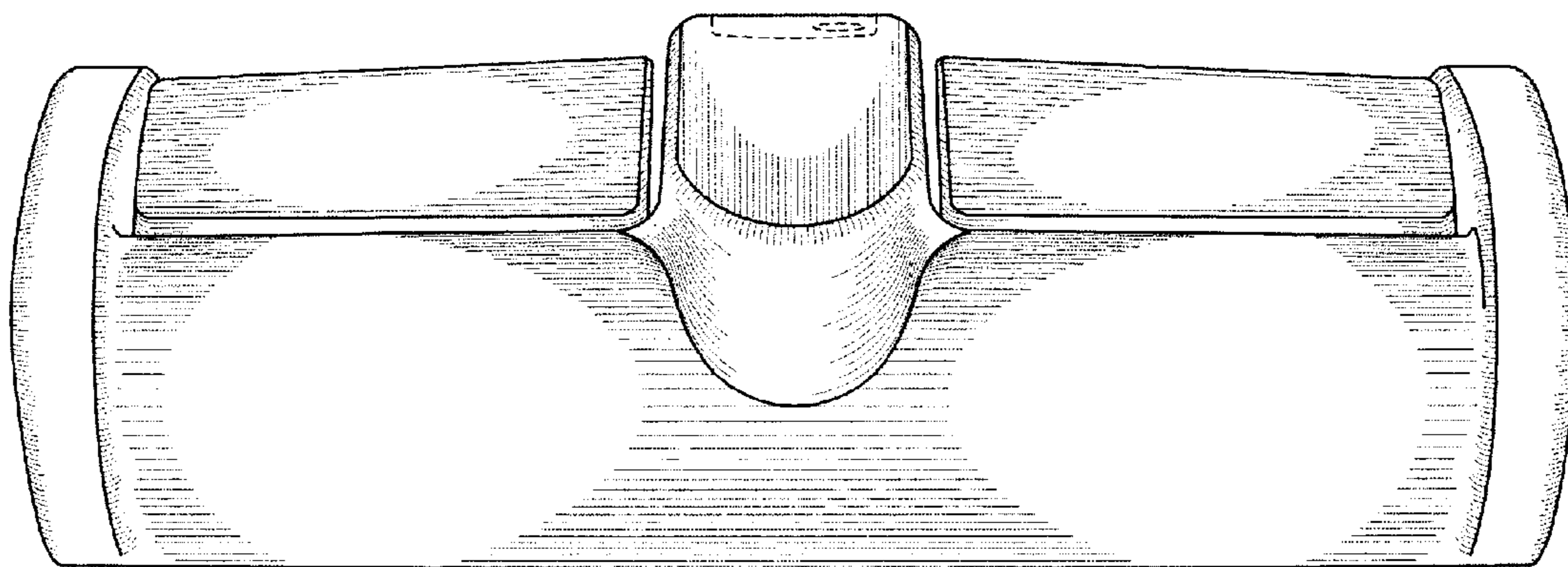


FIG. 5

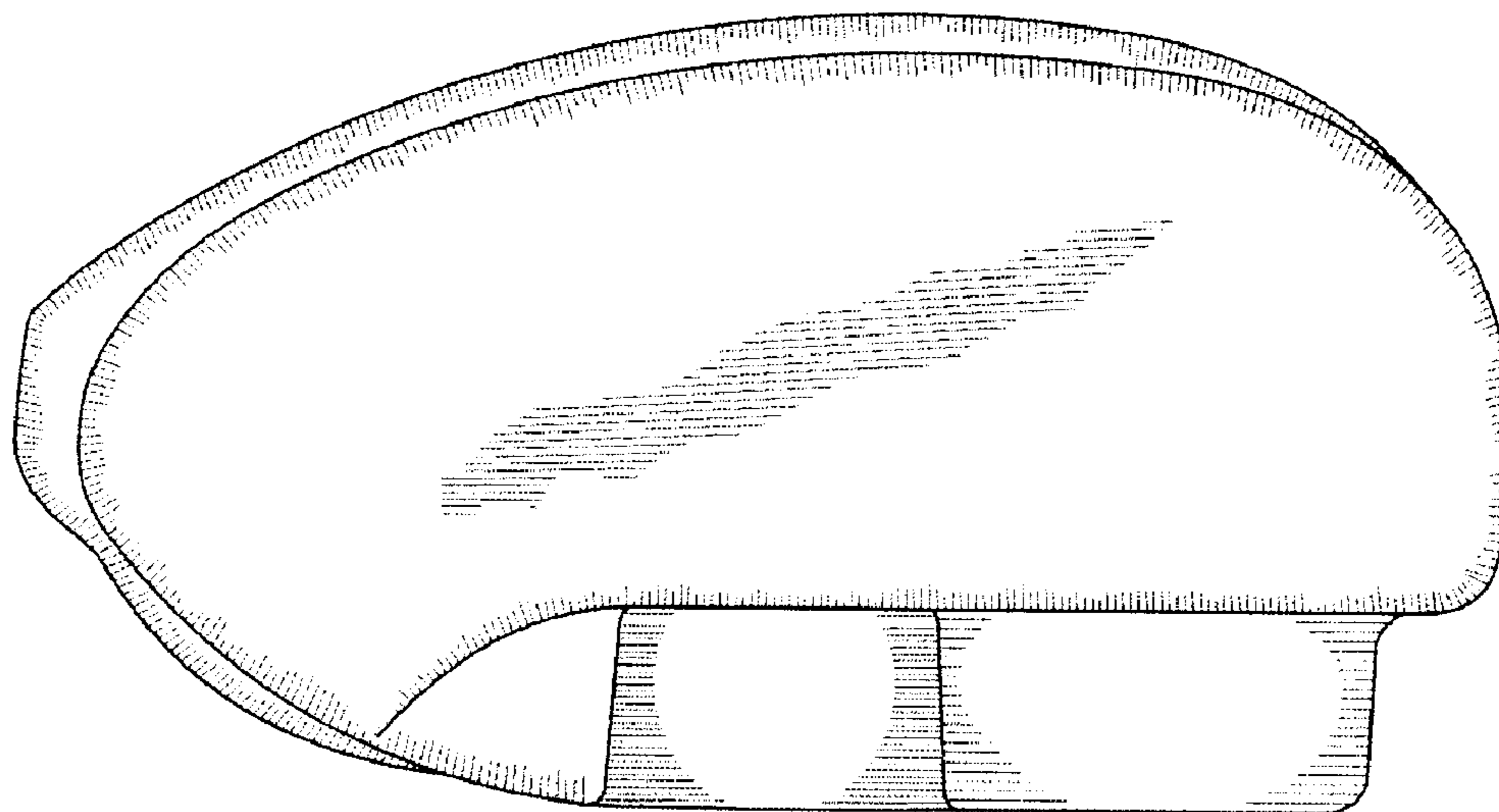


FIG. 6

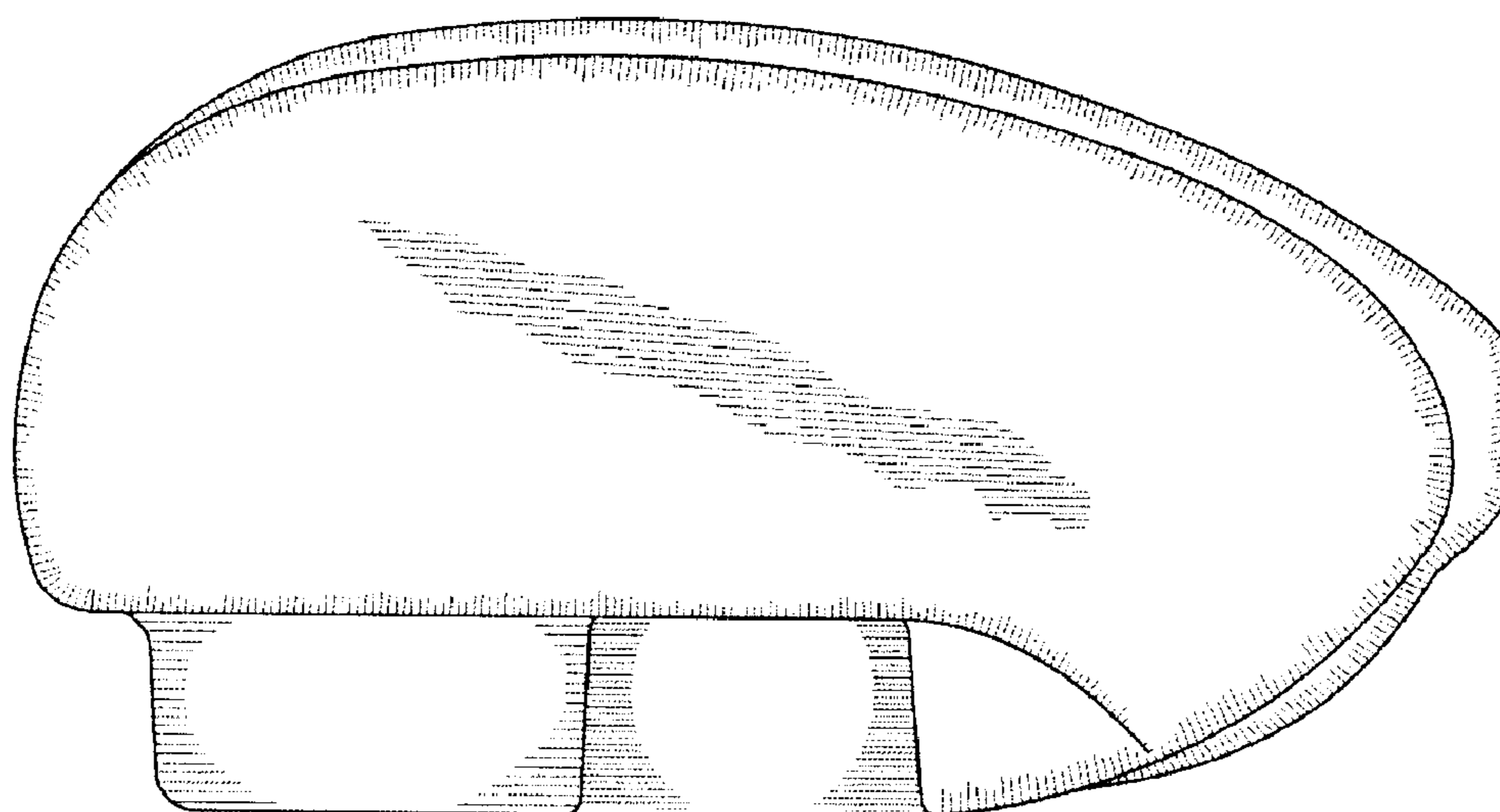


FIG. 7

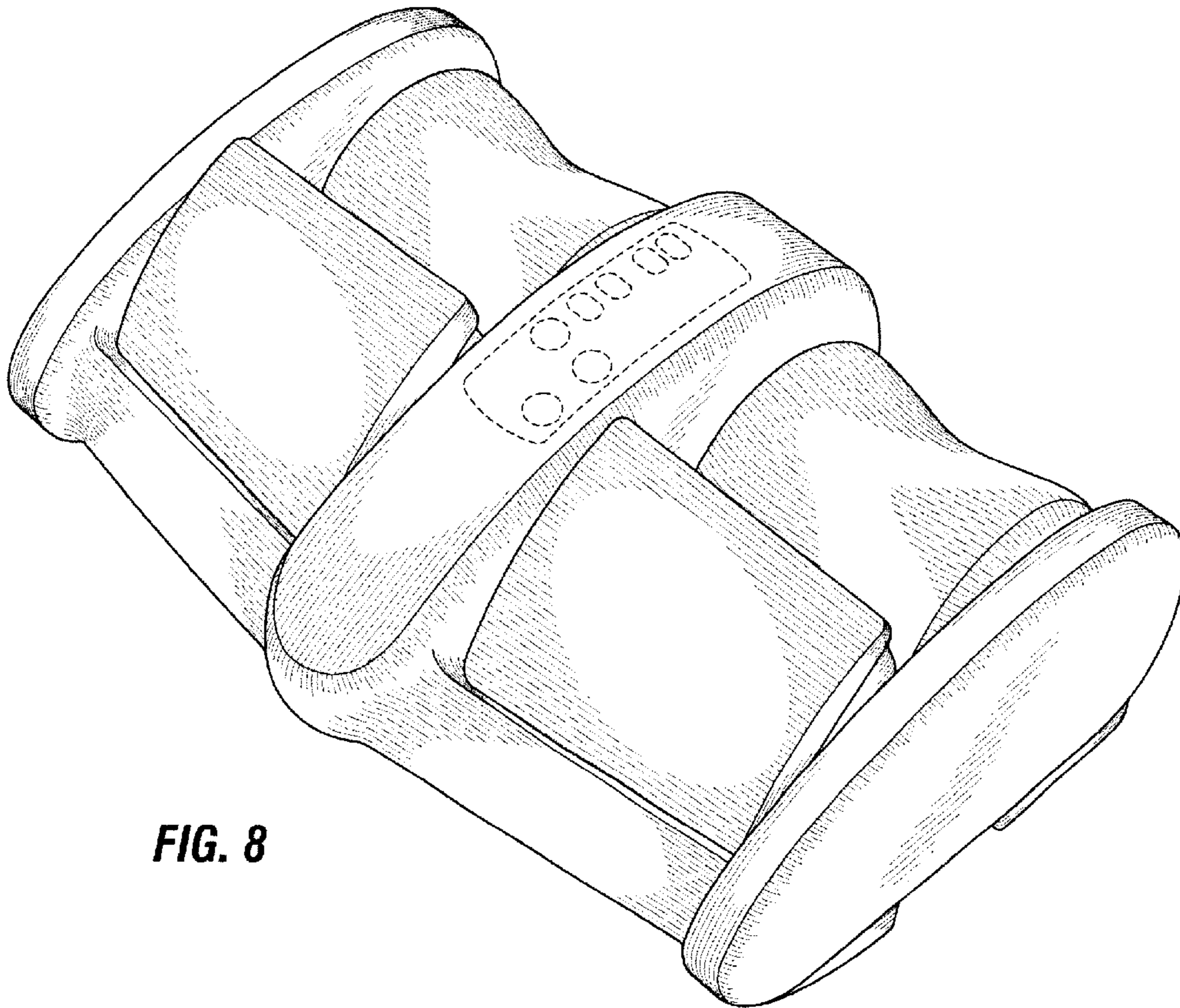


FIG. 8

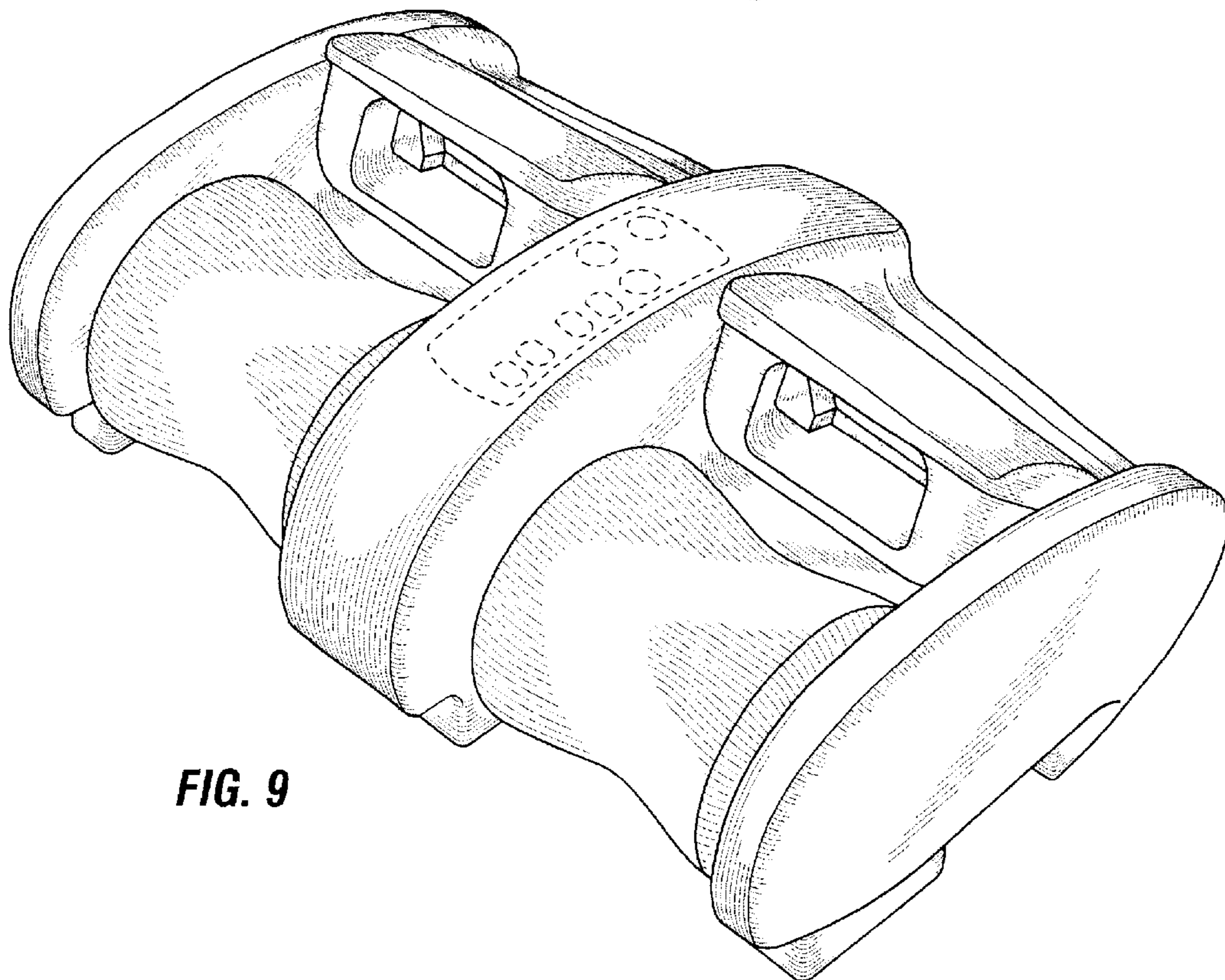


FIG. 9