

US00D548351S

(12) **United States Design Patent**  
**Weng**

(10) **Patent No.:** **US D548,351 S**

(45) **Date of Patent:** **\*\* Aug. 7, 2007**

(54) **INFLATABLE ISOLATION CHAMBER**

(75) Inventor: **Po-Hsien Weng**, Taipei (TW)

(73) Assignee: **Regal Trade Holdings Corp.**, Taipei (TW)

(\*\*) Term: **14 Years**

(21) Appl. No.: **29/257,574**

(22) Filed: **Apr. 7, 2006**

(51) **LOC (8) Cl.** ..... **24-02**

(52) **U.S. Cl.** ..... **D24/202**

(58) **Field of Classification Search** ..... D24/201–203,  
D24/163; 4/524, 525, 529, 530, 537, 536;  
607/81, 90, 91, 83, 16, 49, 70; 600/21, 22;  
D21/835; 454/187

See application file for complete search history.

(56) **References Cited**

**U.S. PATENT DOCUMENTS**

4,023,219 A \* 5/1977 Shindler ..... 5/629  
D266,700 S \* 10/1982 Higgins ..... D24/202  
D275,605 S \* 9/1984 Taylor ..... D24/202  
4,565,188 A \* 1/1986 Hardie ..... 601/16  
4,712,538 A \* 12/1987 Hardie et al. .... 601/16

D377,530 S \* 1/1997 Daffer et al. .... D24/202  
D522,659 S \* 6/2006 Cote ..... D24/202  
2005/0004423 A1 \* 1/2005 Shenosky et al. .... 600/21  
2006/0020159 A1 \* 1/2006 Ellen ..... 600/21

\* cited by examiner

*Primary Examiner*—Ian Simmons

*Assistant Examiner*—Melanie Levy

(74) *Attorney, Agent, or Firm*—Troxell Law Office, PLLC

(57) **CLAIM**

The ornamental design for the inflatable isolation chamber, as shown and described.

**DESCRIPTION**

FIG. 1 is a perspective view of the inflatable isolation chamber showing the new design;

FIG. 2 is a front view of the new design;

FIG. 3 is a rear view of the new design;

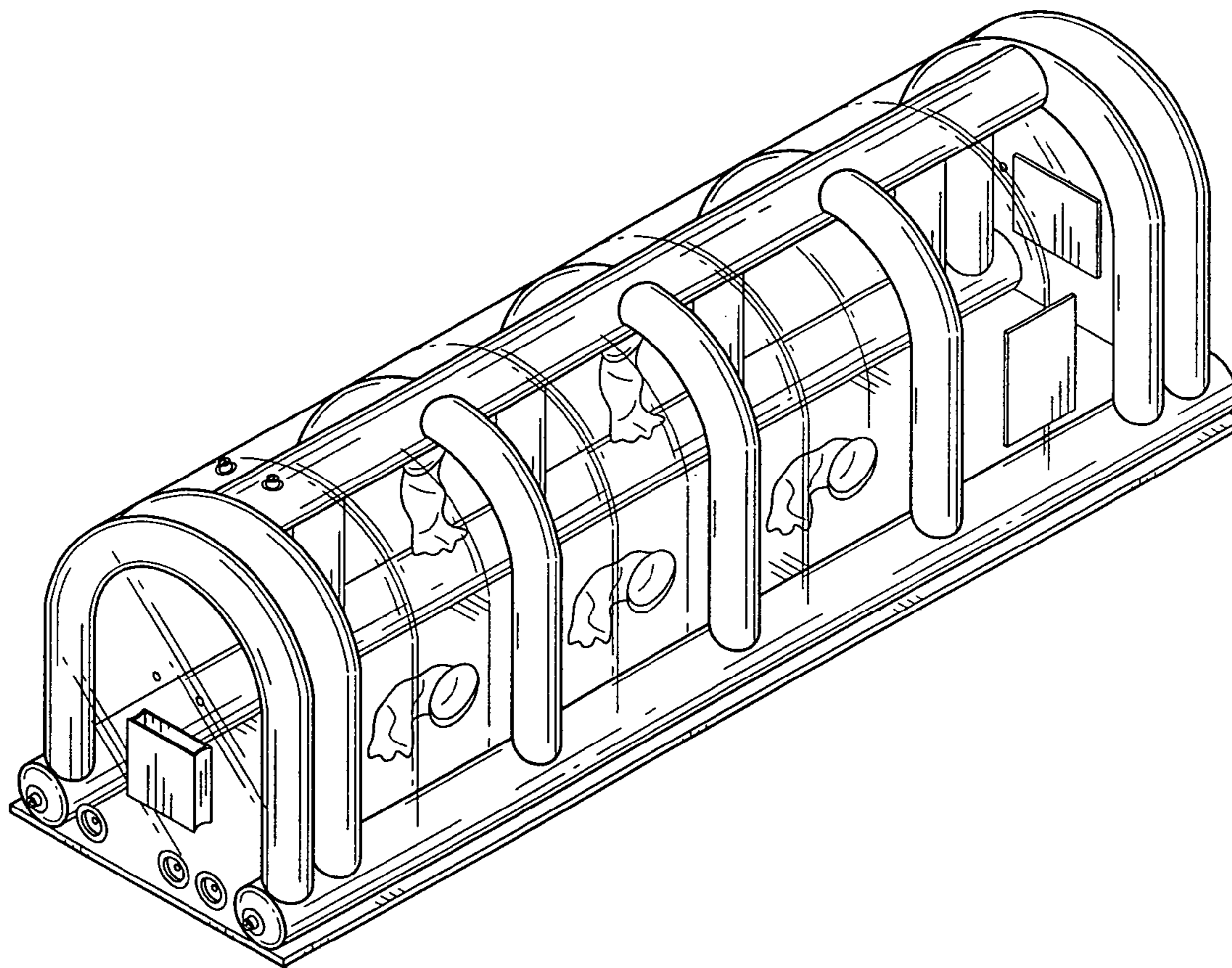
FIG. 4 is a left view of the new design;

FIG. 5 is a right view of the new design;

FIG. 6 is a top view of the new design; and,

FIG. 7 is a bottom view of the new design.

**1 Claim, 5 Drawing Sheets**



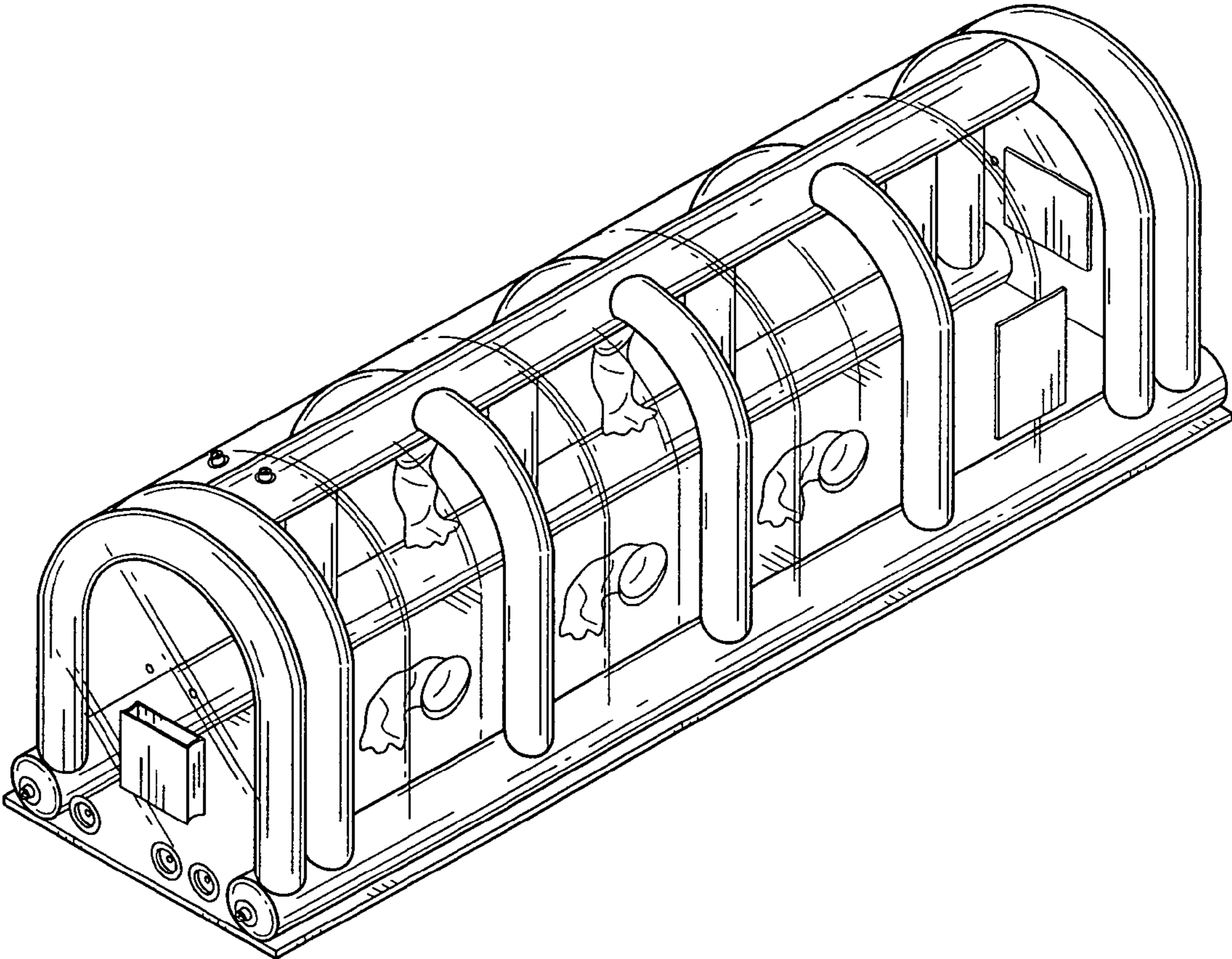


FIG. 1

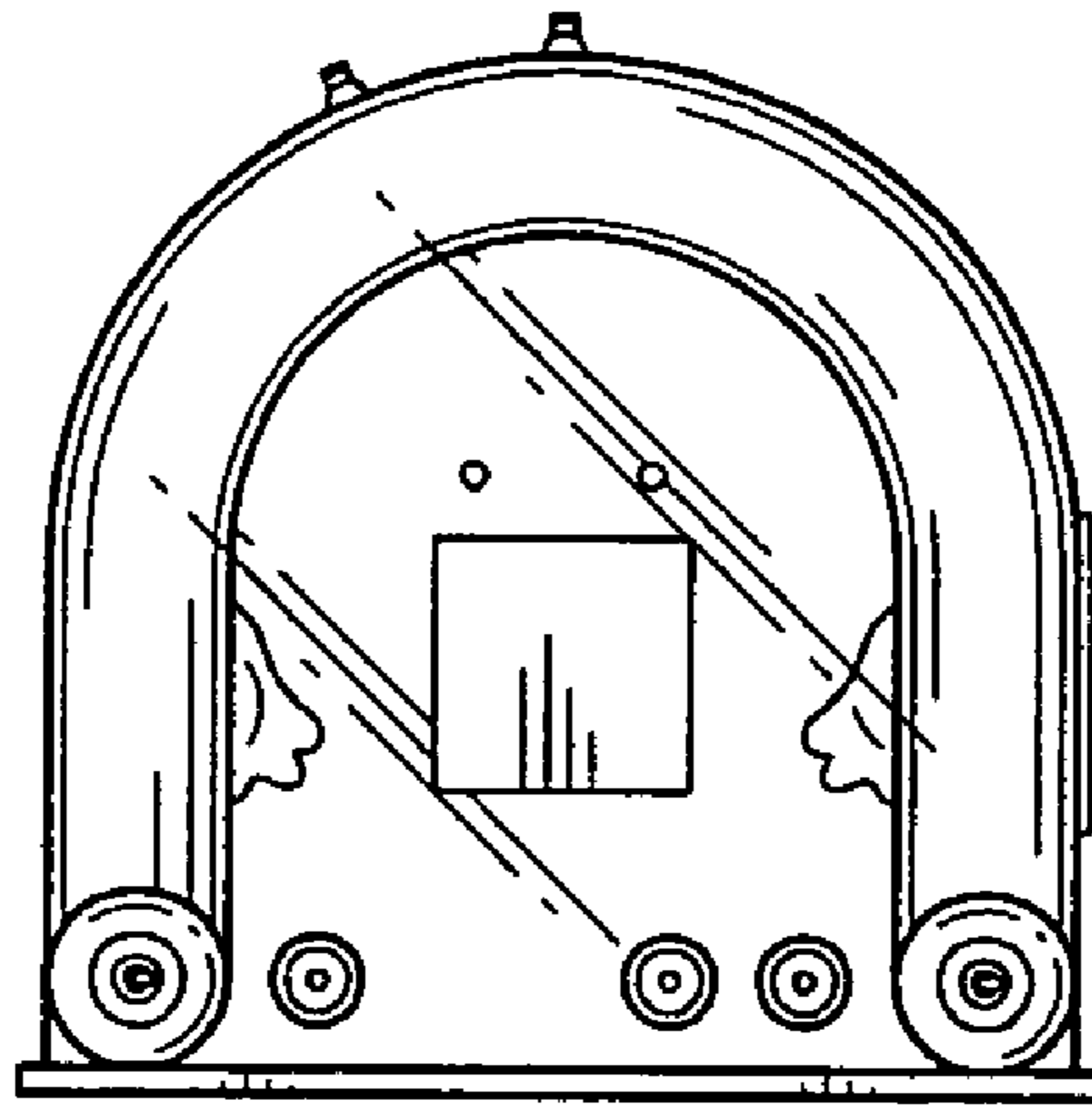


FIG. 2

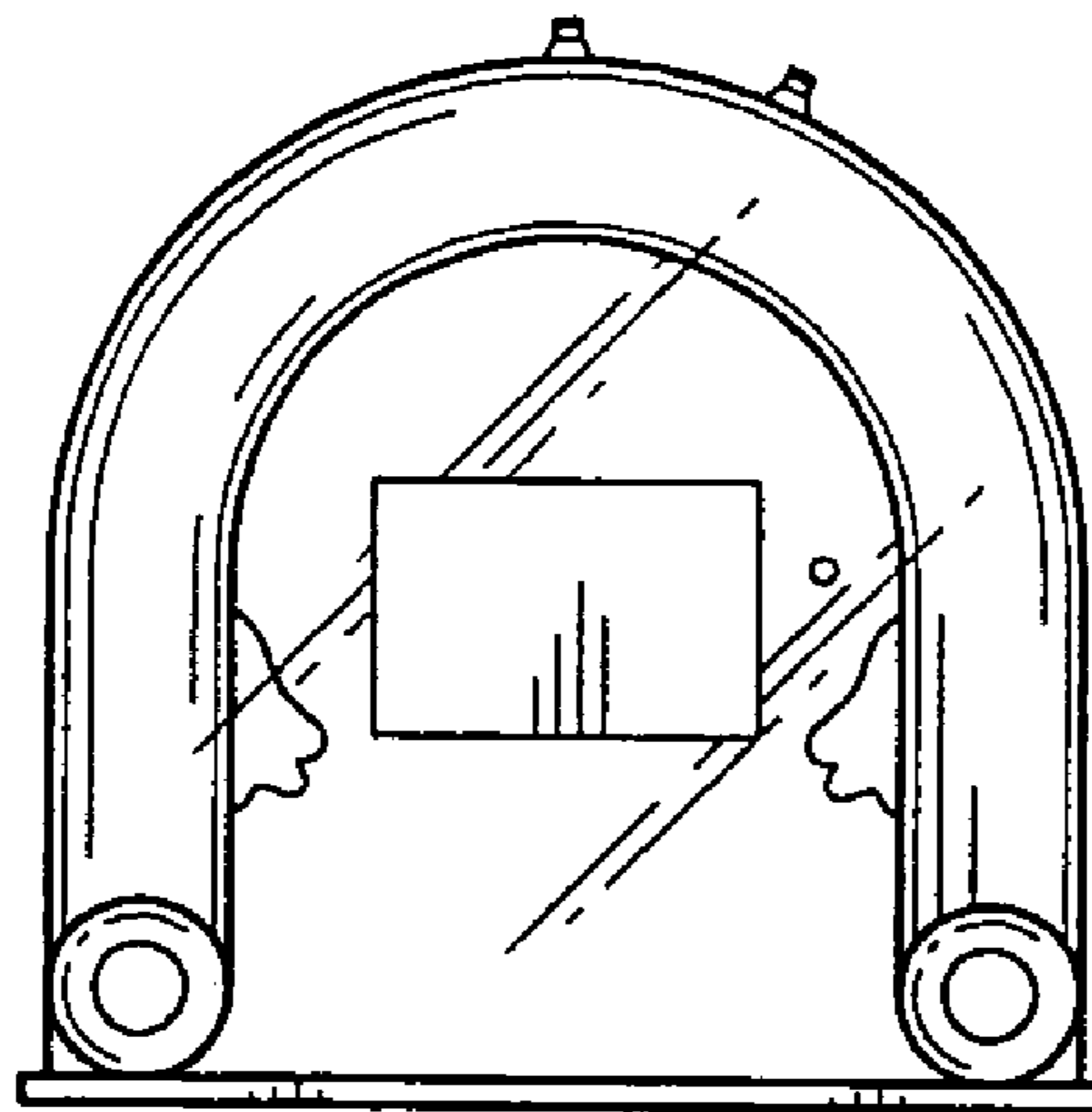


FIG. 3

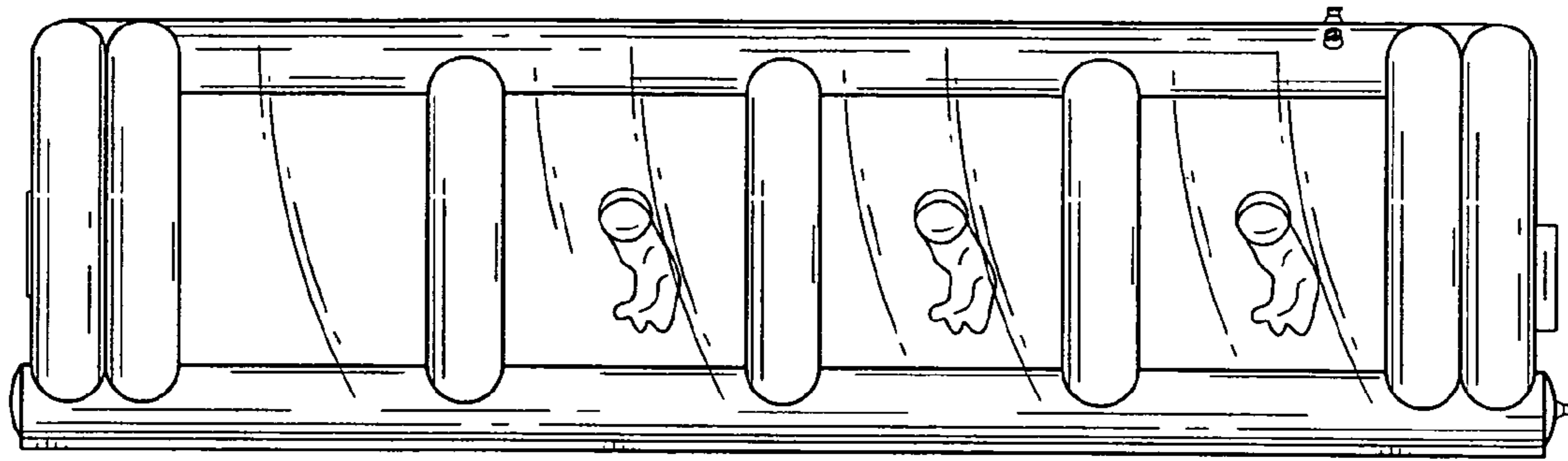


FIG. 4

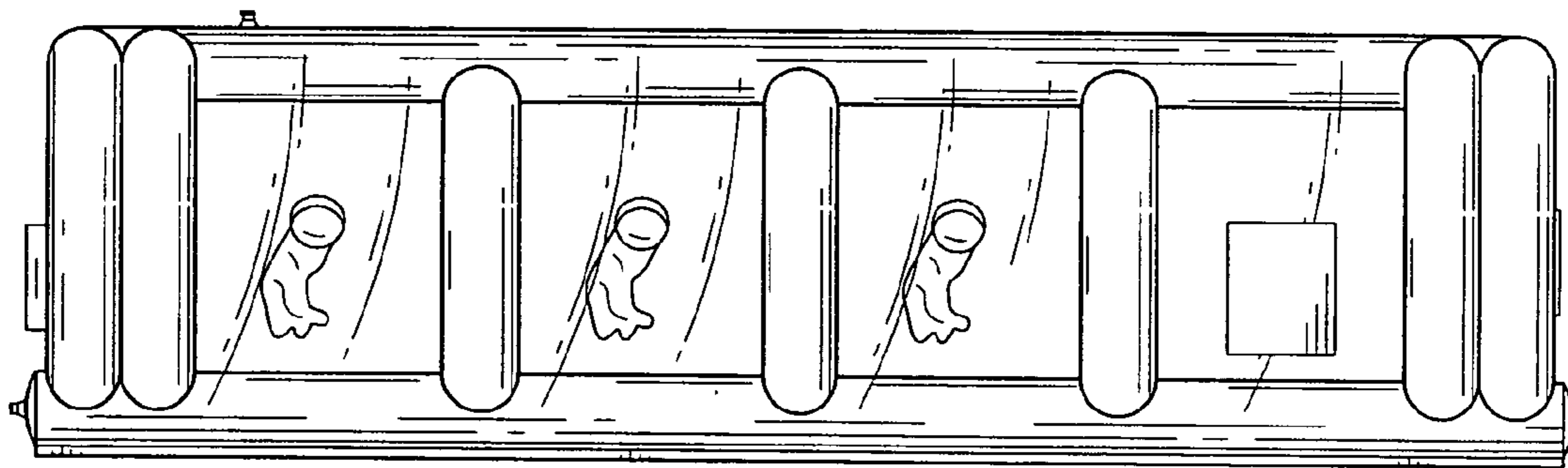


FIG. 5

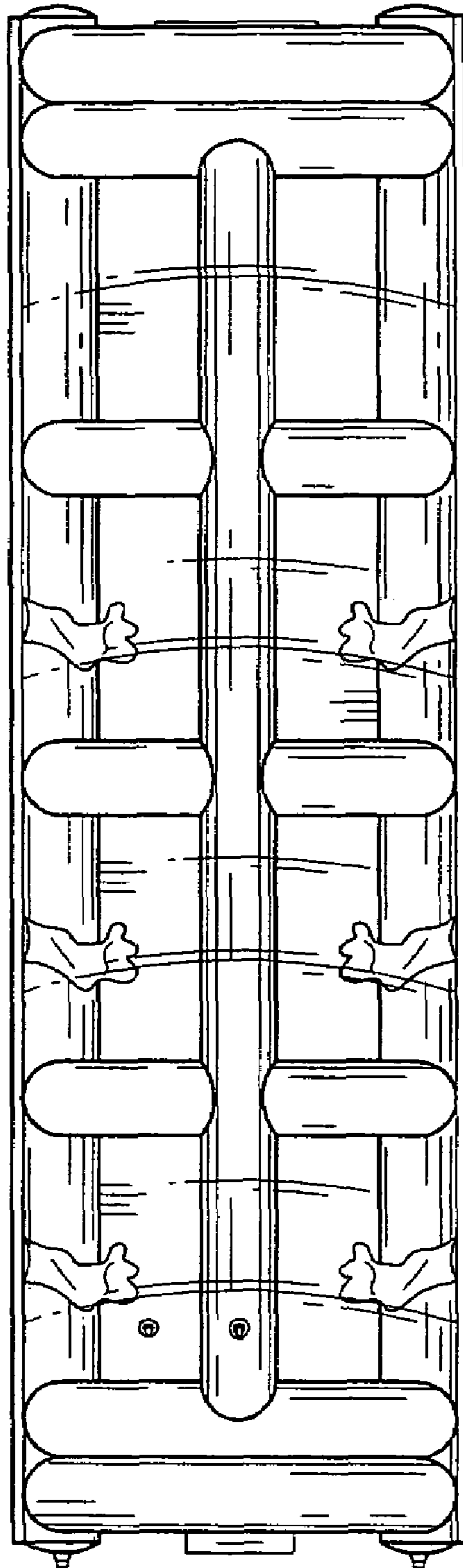


FIG. 6

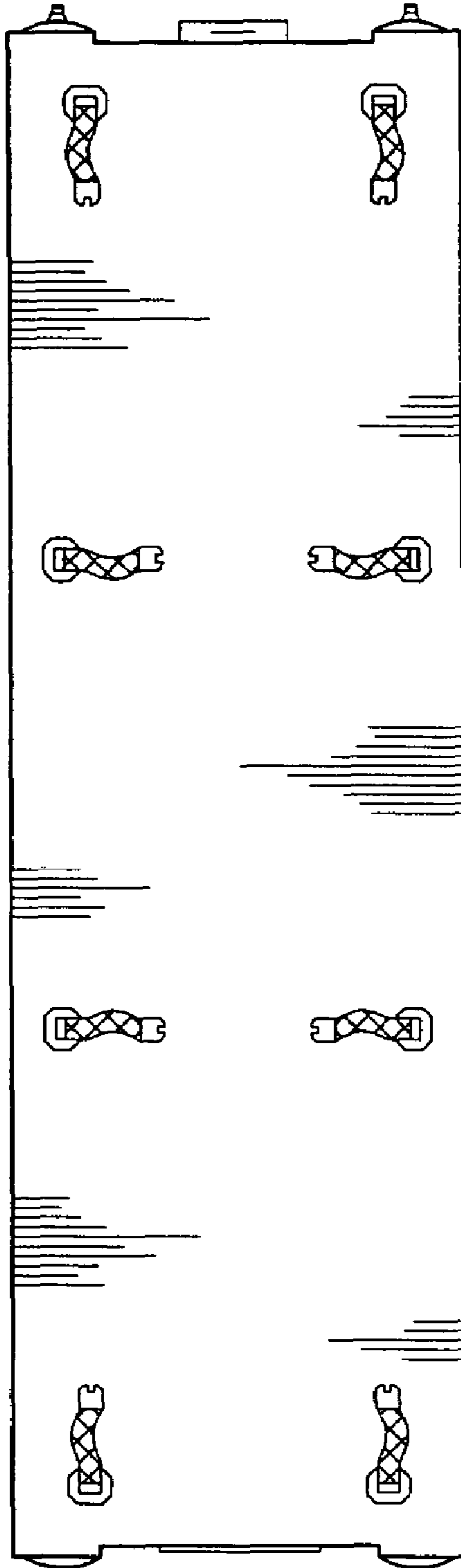


FIG. 7