

US00D548344S

(12) **United States Design Patent**
Ogiwara

(10) **Patent No.: US D548,344 S**

(45) **Date of Patent: ** Aug. 7, 2007**

(54) **CONTROLLER FOR AN X-RAY APPARATUS FOR MEDICAL TREATMENT**

D503,804 S * 4/2005 Phleps et al. D24/158
D523,146 S * 6/2006 Ogiwara D24/158

(75) Inventor: **Susumu Ogiwara**, Kumagaya (JP)

FOREIGN PATENT DOCUMENTS

(73) Assignees: **Kabushiki Kaisha Toshiba** (JP);
Toshiba Medical Systems Corporation
(JP)

JP	1105243	4/2001
JP	1105245	4/2001
JP	1140857	5/2002
JP	1183979	9/2003
JP	1249022	8/2005

(**) Term: **14 Years**

* cited by examiner

(21) Appl. No.: **29/264,031**

Primary Examiner—Lou Zarfaz

(22) Filed: **Aug. 3, 2006**

Assistant Examiner—Anhdao Doan

(30) **Foreign Application Priority Data**

(74) *Attorney, Agent, or Firm*—Banner & Witcoff, Ltd.

Feb. 23, 2006 (JP) 2006-004331

(57) **CLAIM**

(51) **LOC (8) Cl.** **24-01**

The ornamental design for a controller for an x-ray apparatus for medical treatment, as shown and described.

(52) **U.S. Cl.** **D24/158**

(58) **Field of Classification Search** D24/158-161,
D24/183; 378/178-190, 193, 195-198, 208,
378/209, 10, 11, 37-39; D14/392-394, 396,
D14/397, 400, 412; D21/325, 331, 332
See application file for complete search history.

DESCRIPTION

(56) **References Cited**

FIG. 1 is a front, top and left side perspective view of a controller for an x-ray apparatus for medical treatment, showing my new design;

U.S. PATENT DOCUMENTS

D253,234 S *	10/1979	Cooke	D13/168
D319,101 S *	8/1991	Endo	D24/158
D356,792 S *	3/1995	Murakami et al.	D24/158
D411,530 S *	6/1999	Carter et al.	D14/400
D417,001 S *	11/1999	Chikuma	D24/158
D445,189 S *	7/2001	Cannon et al.	D24/160

FIG. 2 is a front elevational view thereof;

FIG. 3 is a rear elevational view thereof;

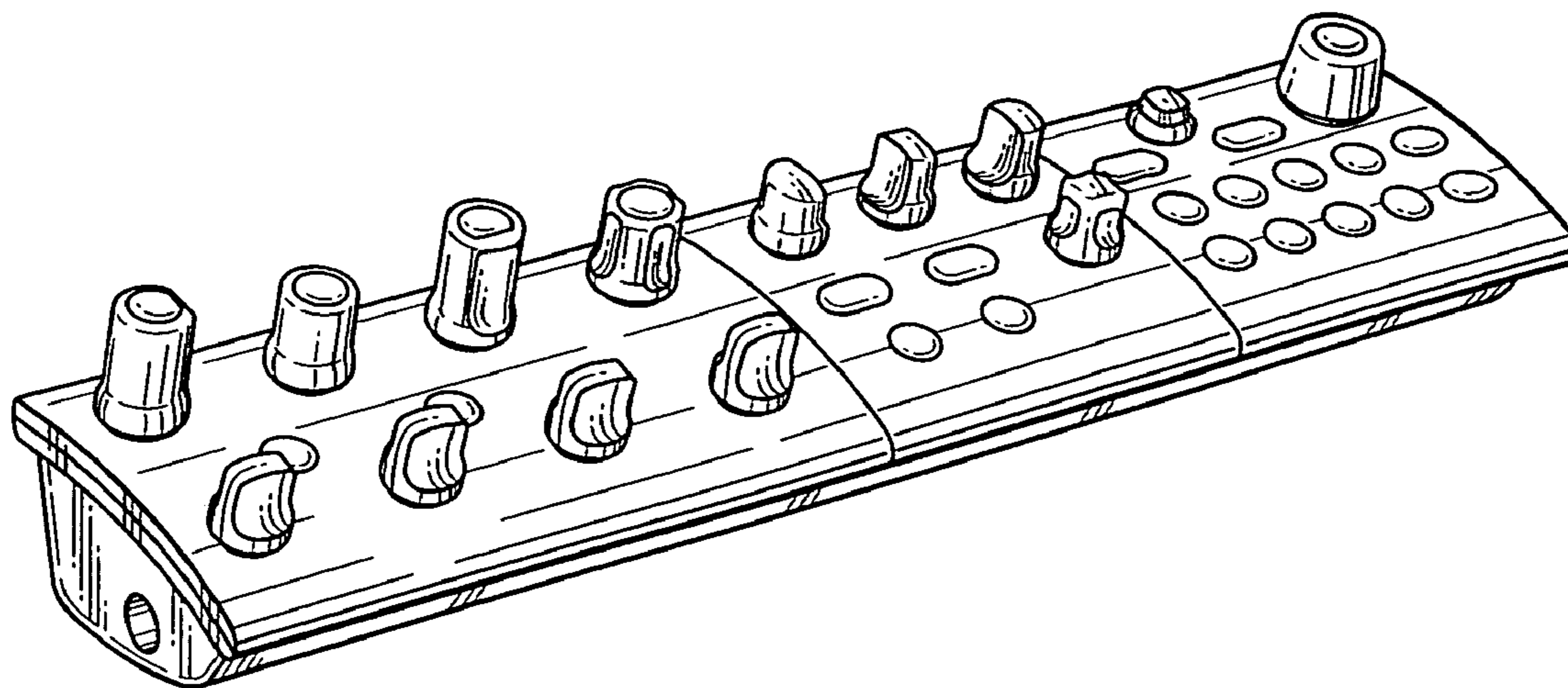
FIG. 4 is a top plan view thereof;

FIG. 5 is a bottom plan view thereof;

FIG. 6 is a right side elevational view thereof; and,

FIG. 7 is a left side elevational view thereof.

1 Claim, 2 Drawing Sheets



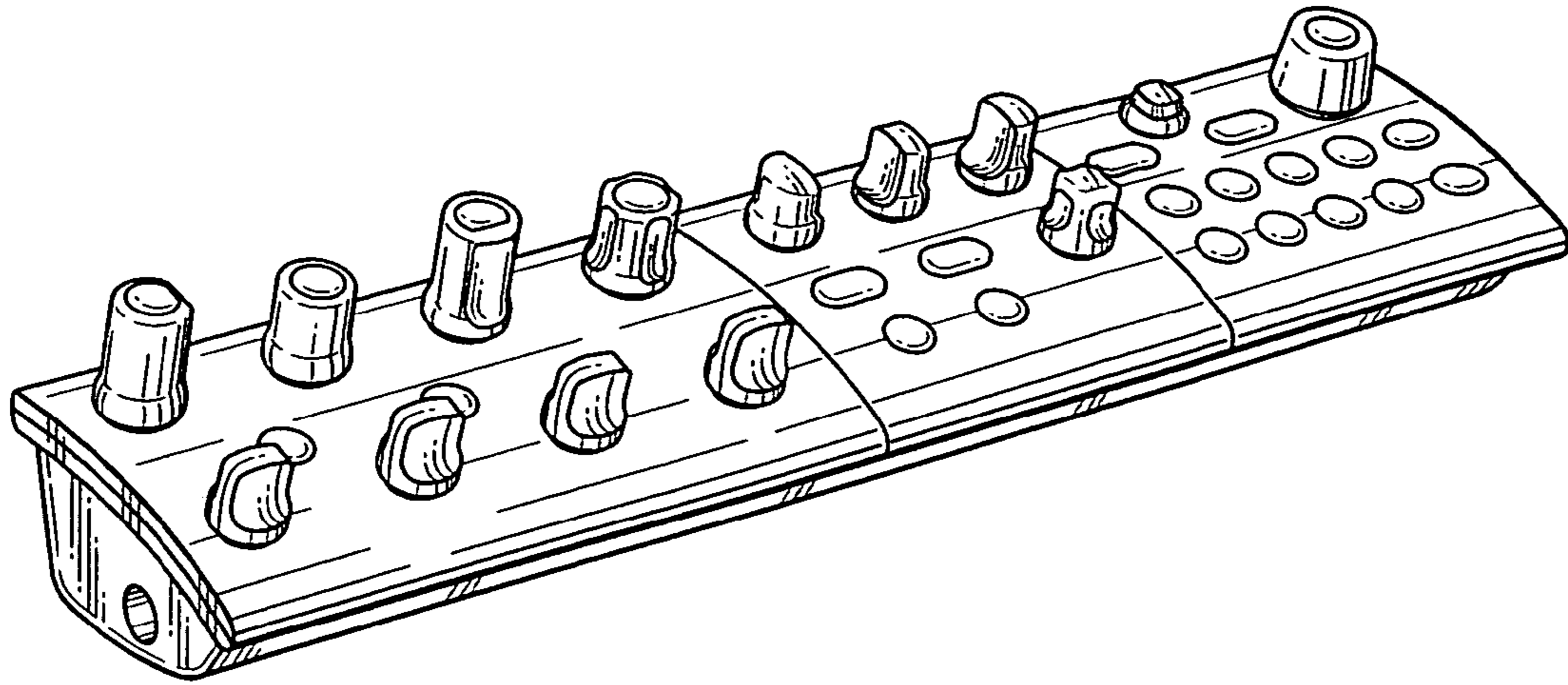


FIG. 1

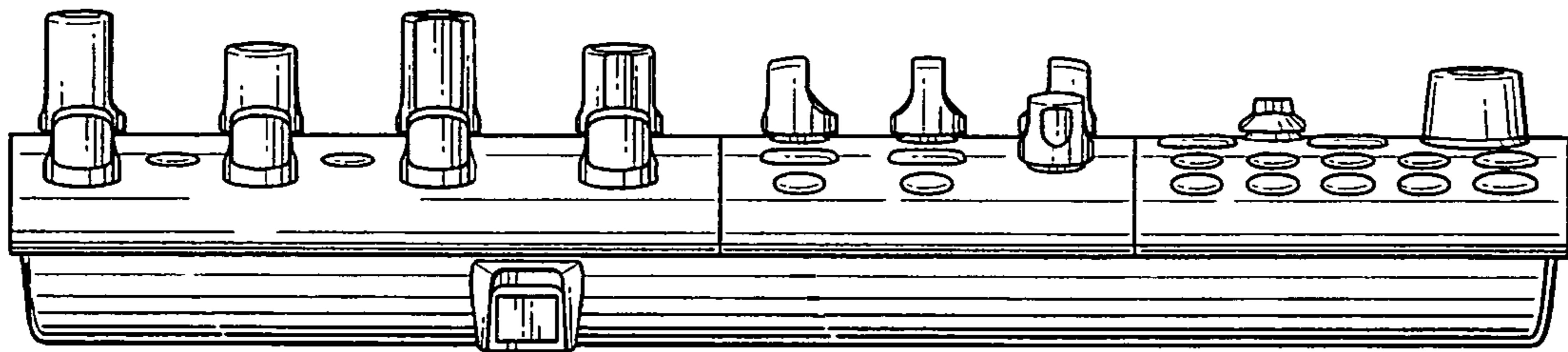


FIG. 2

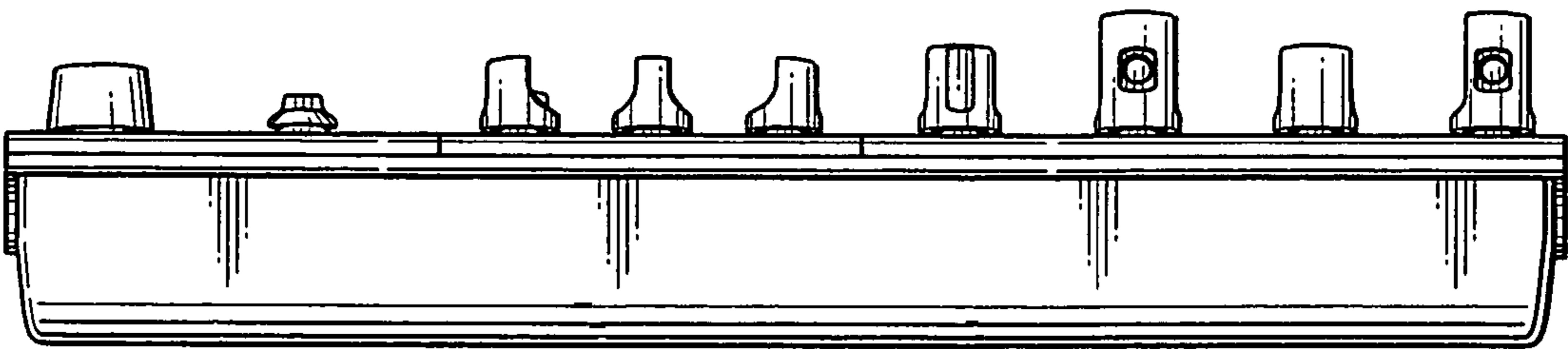


FIG. 3

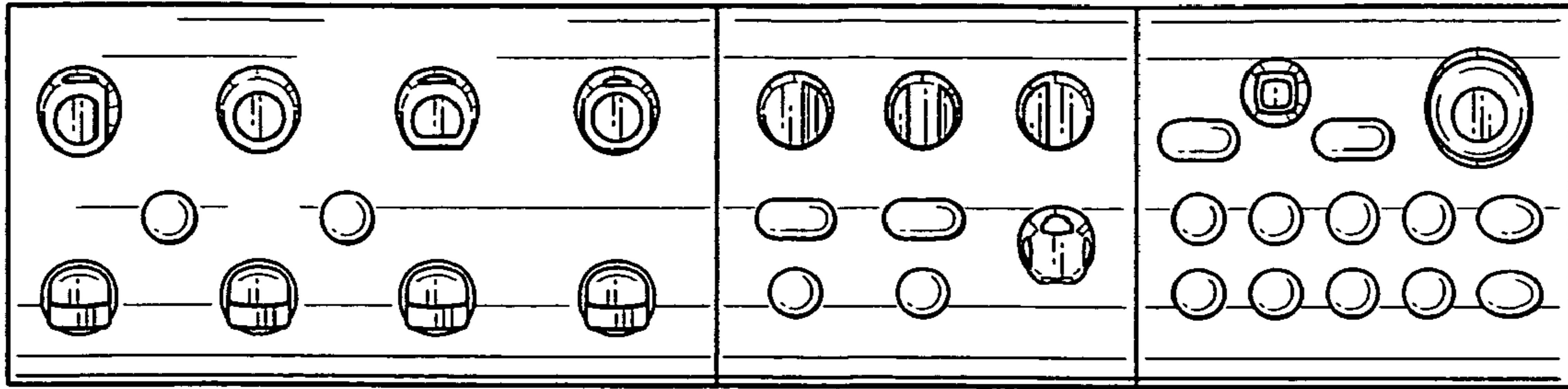


FIG. 4

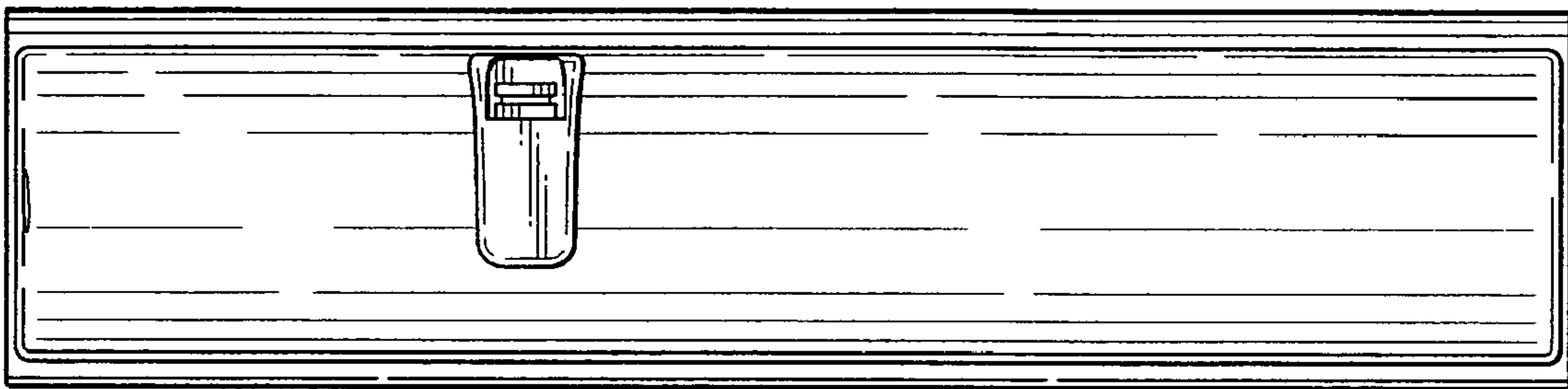


FIG. 5

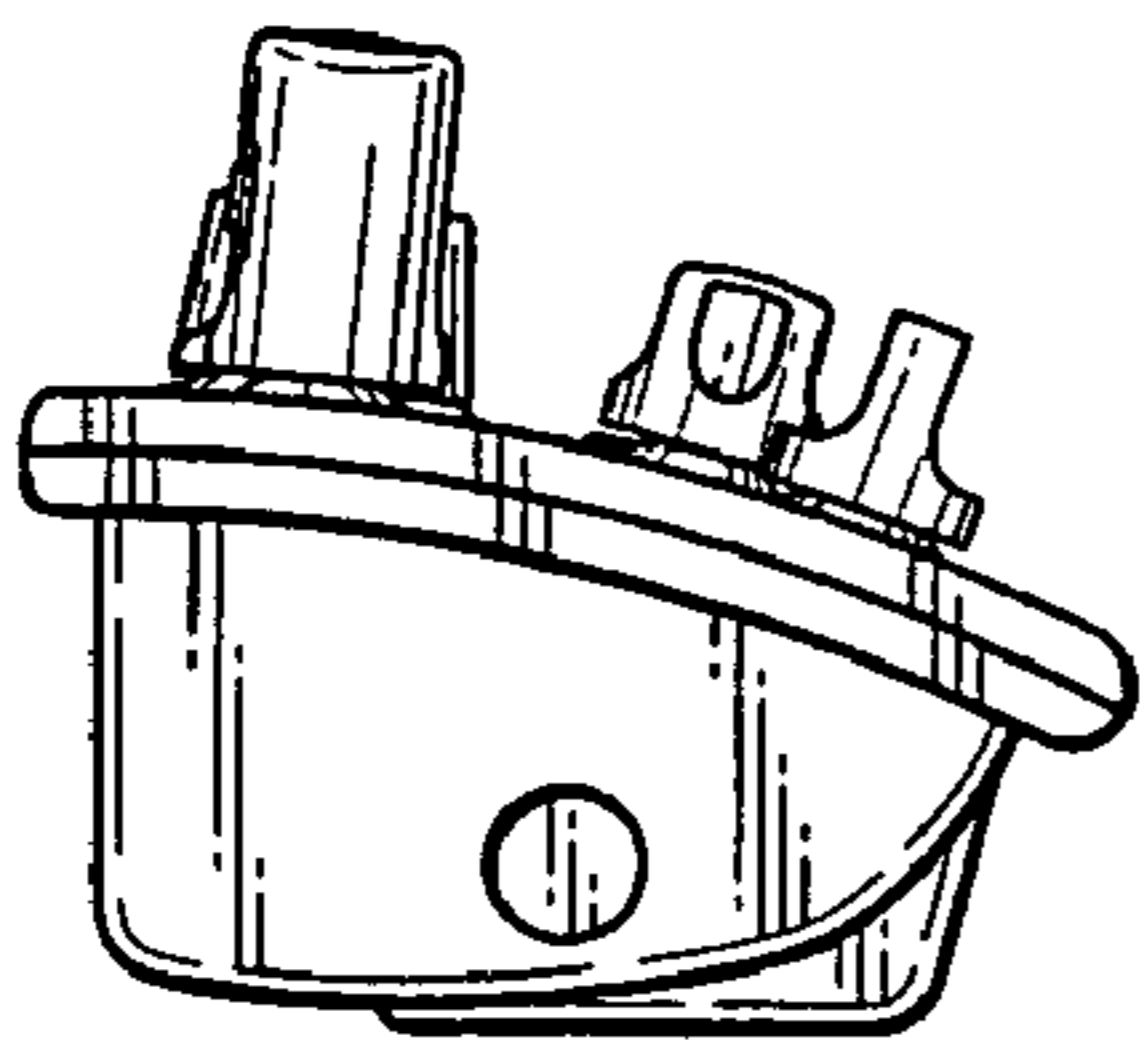


FIG. 7

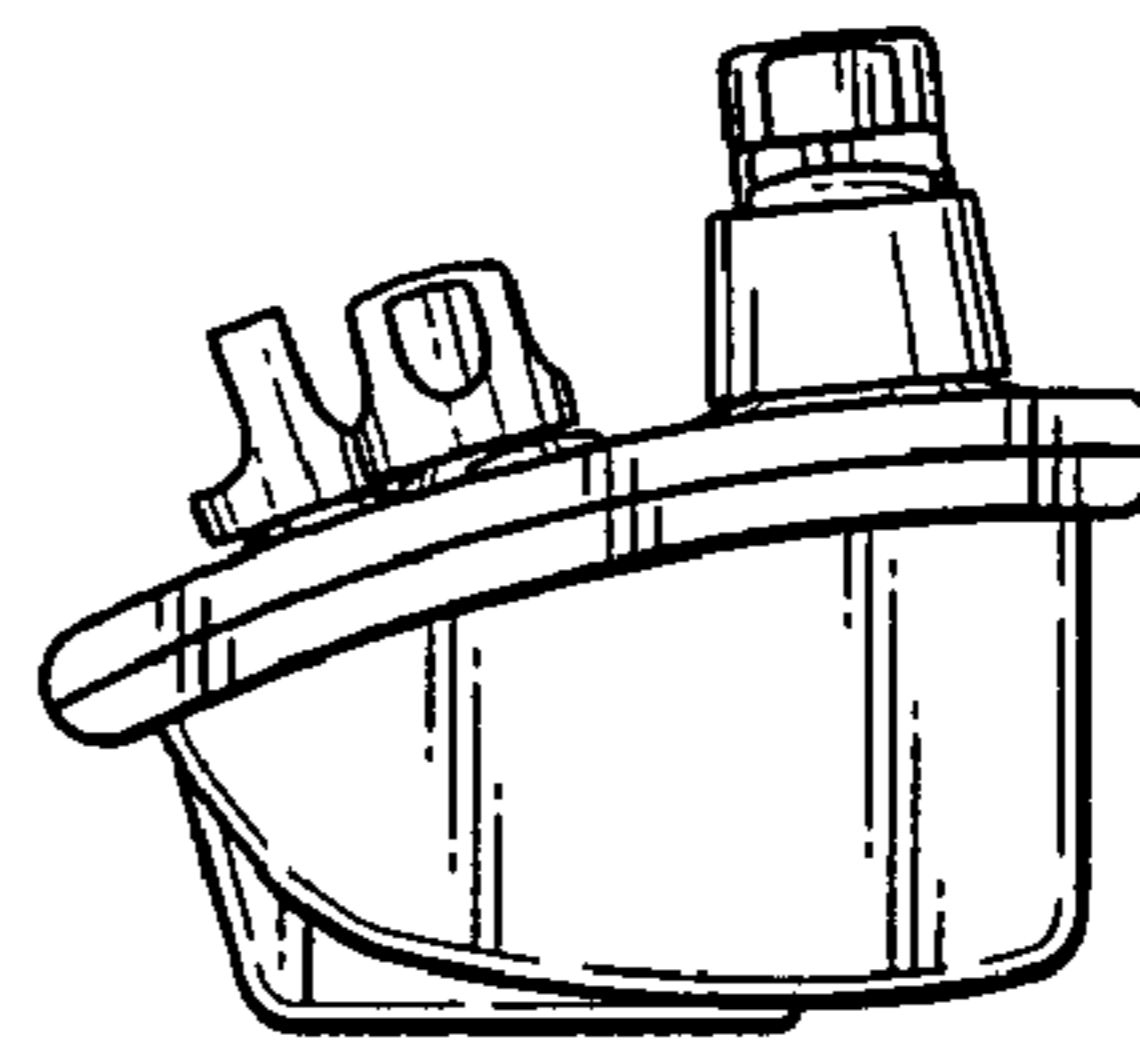


FIG. 6