

US00D548340S

(12) **United States Design Patent** (10) **Patent No.:** **US D548,340 S**
Michel et al. (45) **Date of Patent:** **** Aug. 7, 2007**

(54) **MEDICAL SCOPE**

(75) Inventors: **Maurice Stephan Michel**, Mannheim (DE); **Peter Eisenkolb**, Tuttlingen (DE)

(73) Assignee: **Karl Storz GmbH & Co. KG** (DE)

(**) Term: **14 Years**

(21) Appl. No.: **29/244,452**

(22) Filed: **Dec. 8, 2005**

(30) **Foreign Application Priority Data**

Jun. 8, 2005 (EM) 000355946

(51) **LOC (8) Cl.** **24-02**

(52) **U.S. Cl.** **D24/138; D24/137**

(58) **Field of Classification Search** D24/137,
D24/138, 129, 153; 600/121, 138, 153, 920;
385/117

See application file for complete search history.

(56) **References Cited**

U.S. PATENT DOCUMENTS

4,607,619	A *	8/1986	Seike et al.	600/153
5,048,508	A *	9/1991	Storz	600/138
2001/0056222	A1 *	12/2001	Rudischhauser et al.	600/156
2005/0085692	A1 *	4/2005	Kiehn et al.	600/138
2005/0085695	A1 *	4/2005	Shener et al.	600/156
2006/0047185	A1 *	3/2006	Shener et al.	600/156

* cited by examiner

Primary Examiner—Ian Simmons

Assistant Examiner—W. Laymon

(74) *Attorney, Agent, or Firm*—St. Onge Steward Johnston & Reens LLC

(57) **CLAIM**

The ornamental design for medical scope, as shown and described.

DESCRIPTION

FIG. 1 is a perspective view of a medical scope in accordance with the new design;

FIG. 2 is a left side view with the tube shown broken in the middle for ease of illustration thereof;

FIG. 3 is a top plan view with the tube shown broken in the middle for ease of illustration thereof;

FIG. 4 is a bottom plan view with the tube shown broken in the middle for ease of illustration thereof;

FIG. 5 is a front elevational view thereof;

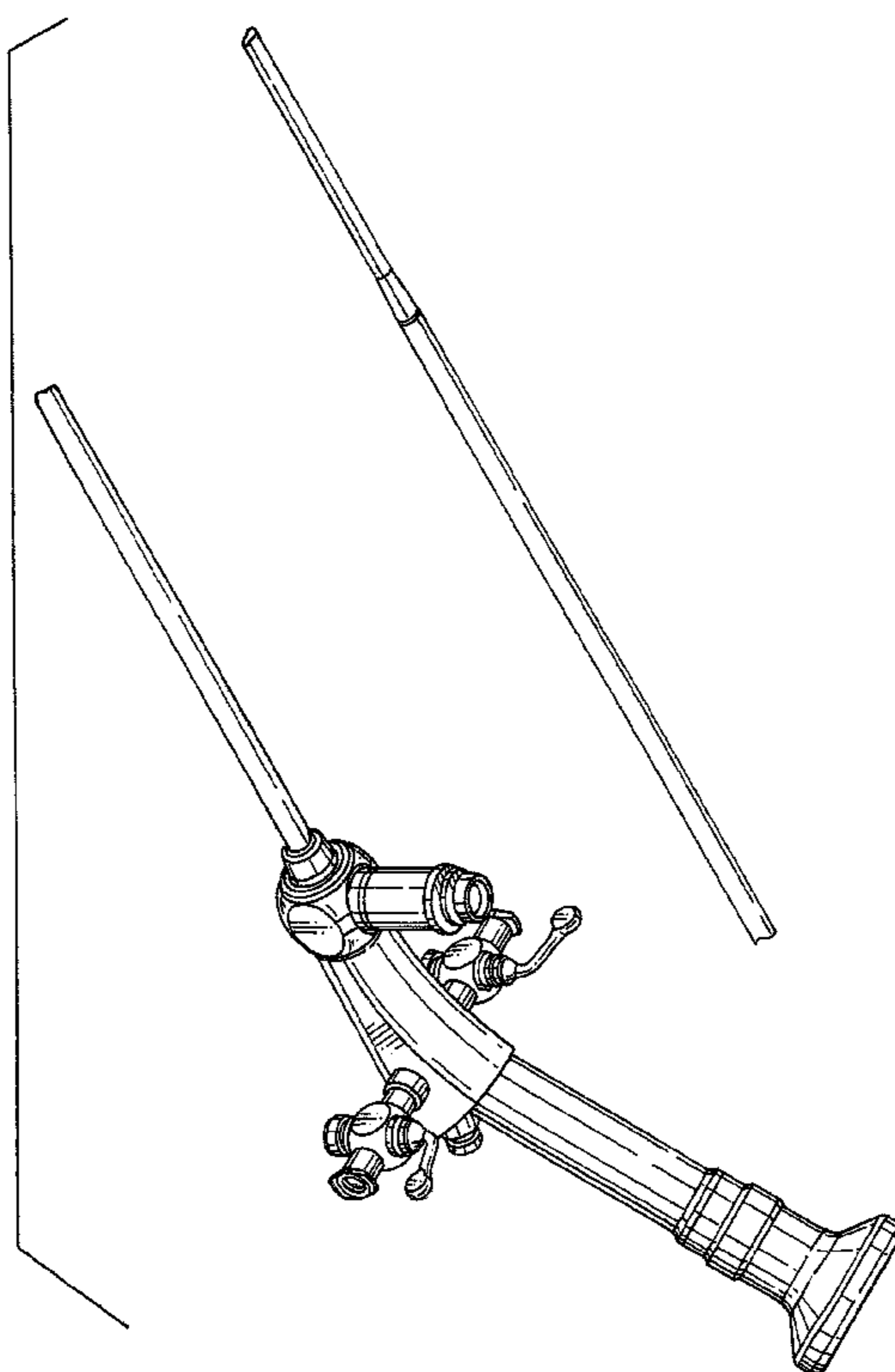
FIG. 6 is a rear elevational view thereof; and,

FIG. 7 is a fragmentary perspective view of the tip portion of the medical scope.

It is understood that a medical scope is shown broken away to indicate indeterminate length.

FIGS. 2–7 are drawn in an enlarged scale.

1 Claim, 7 Drawing Sheets



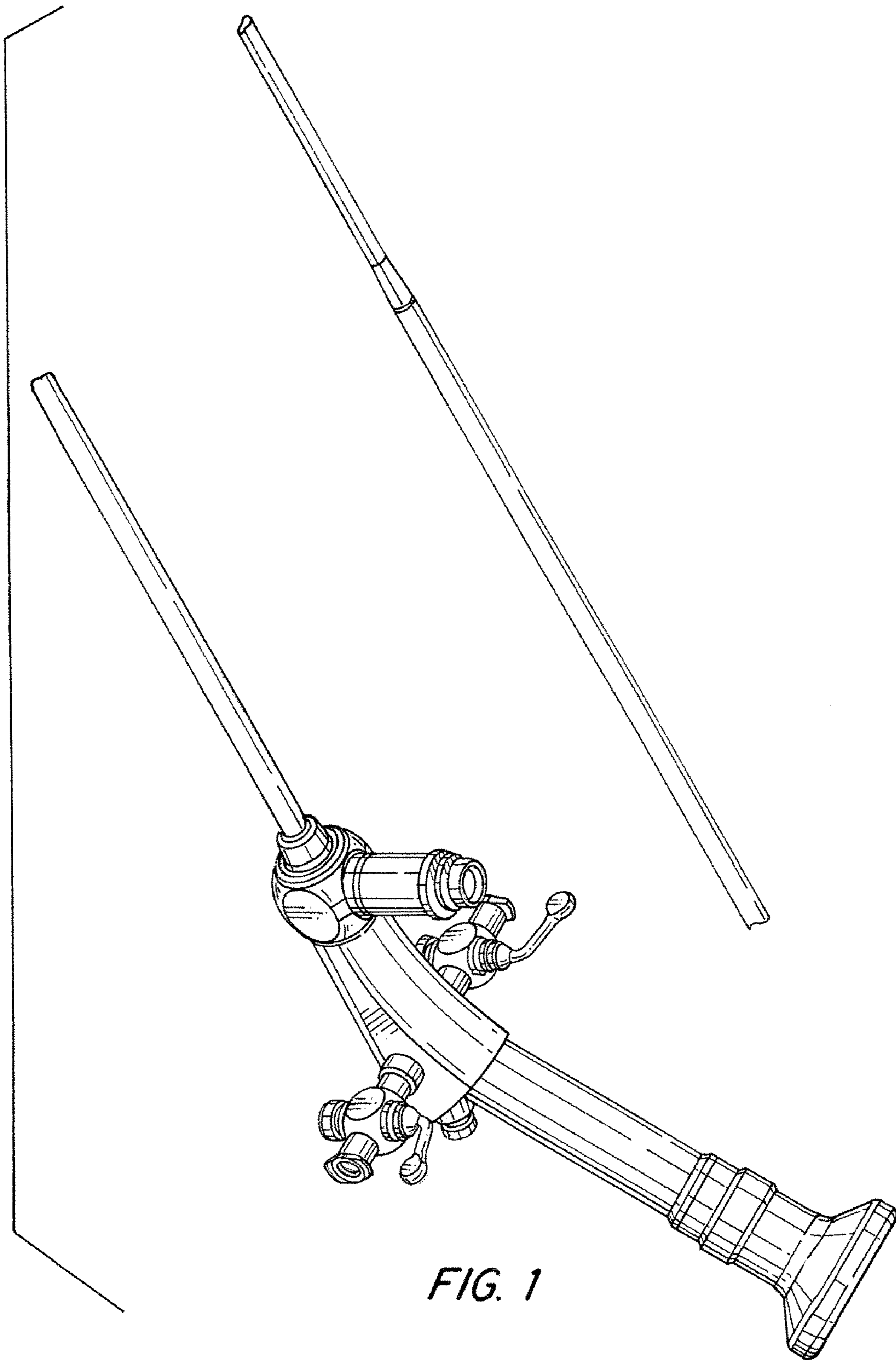


FIG. 1

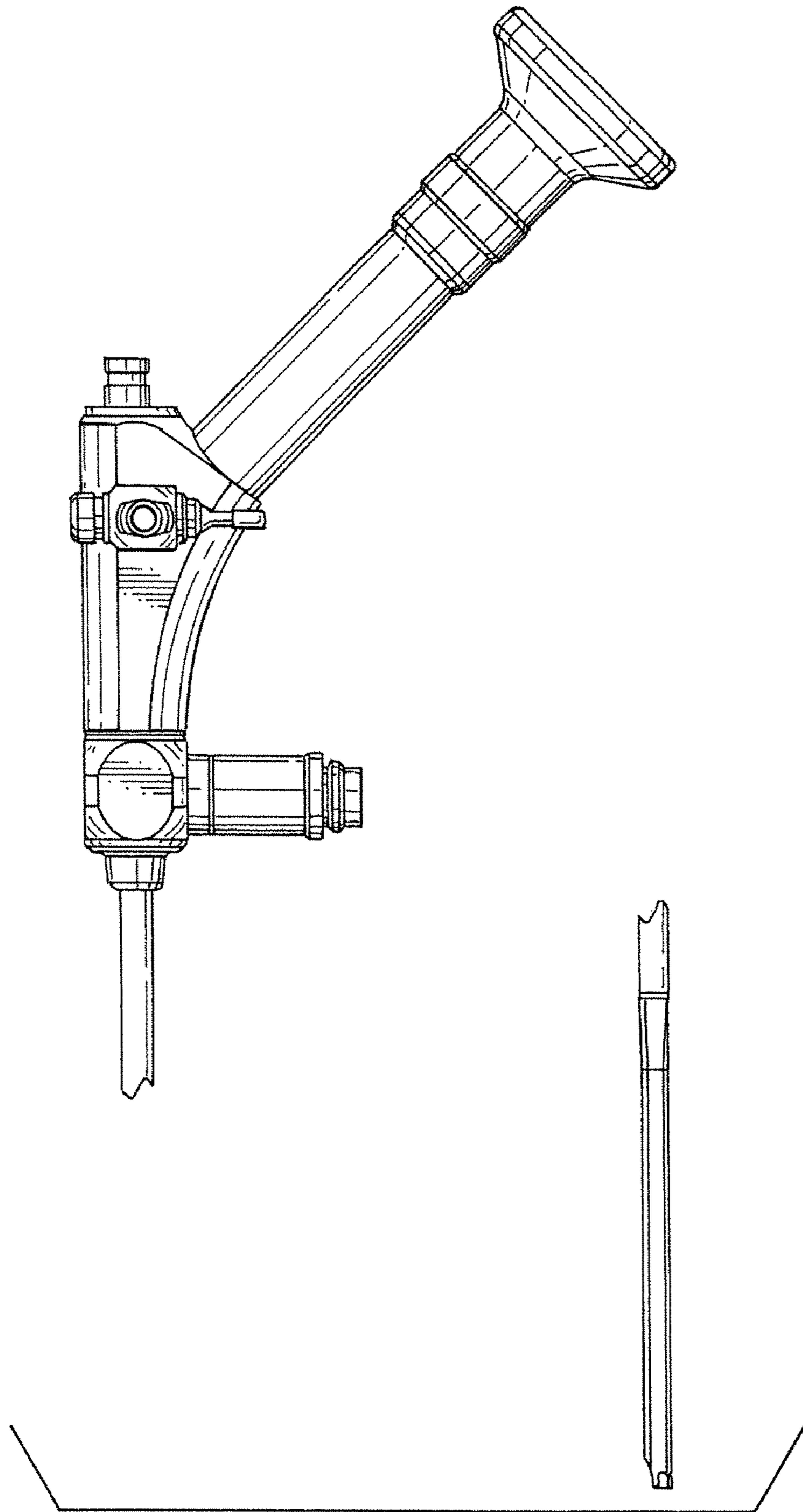


FIG. 2

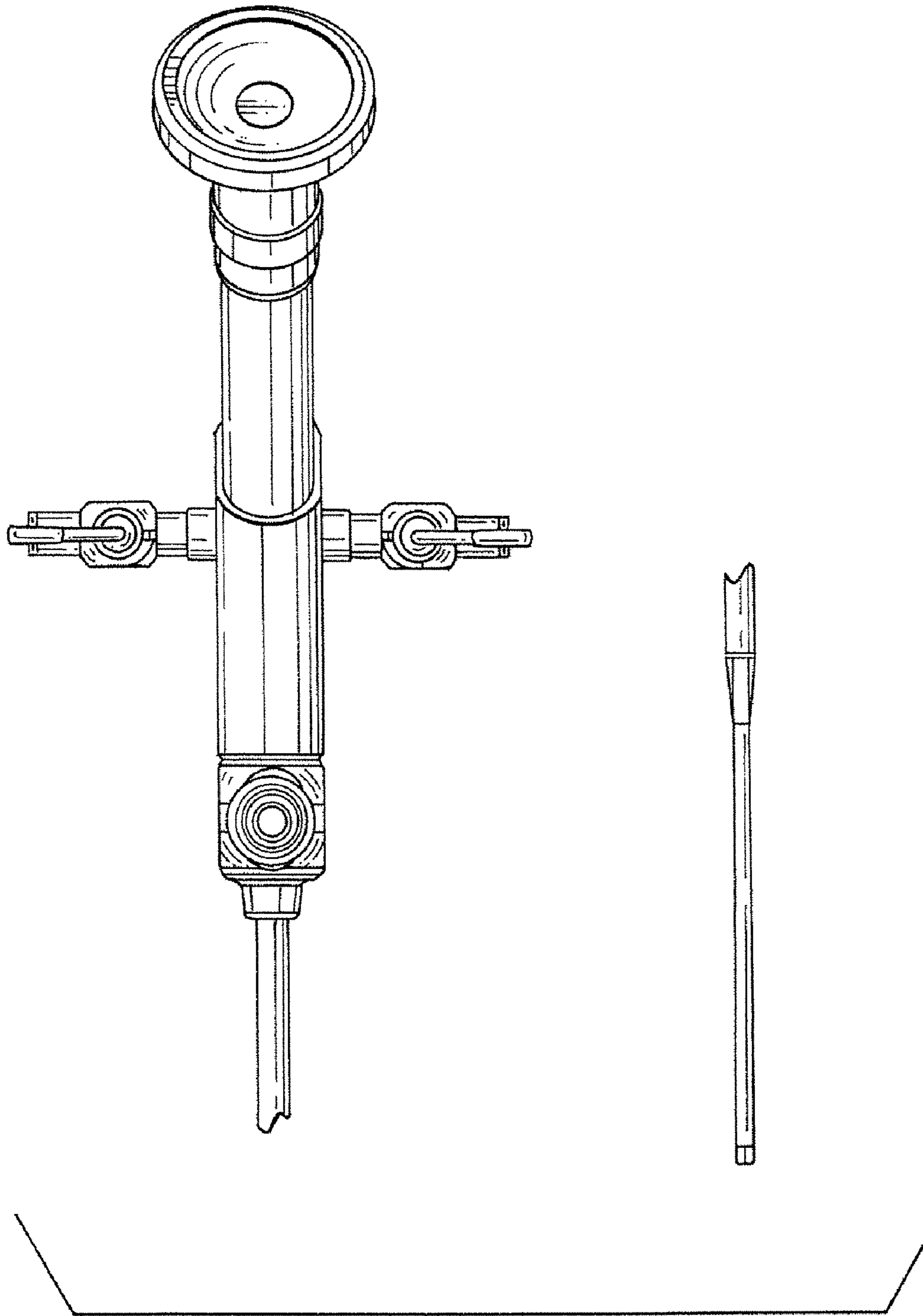


FIG. 3

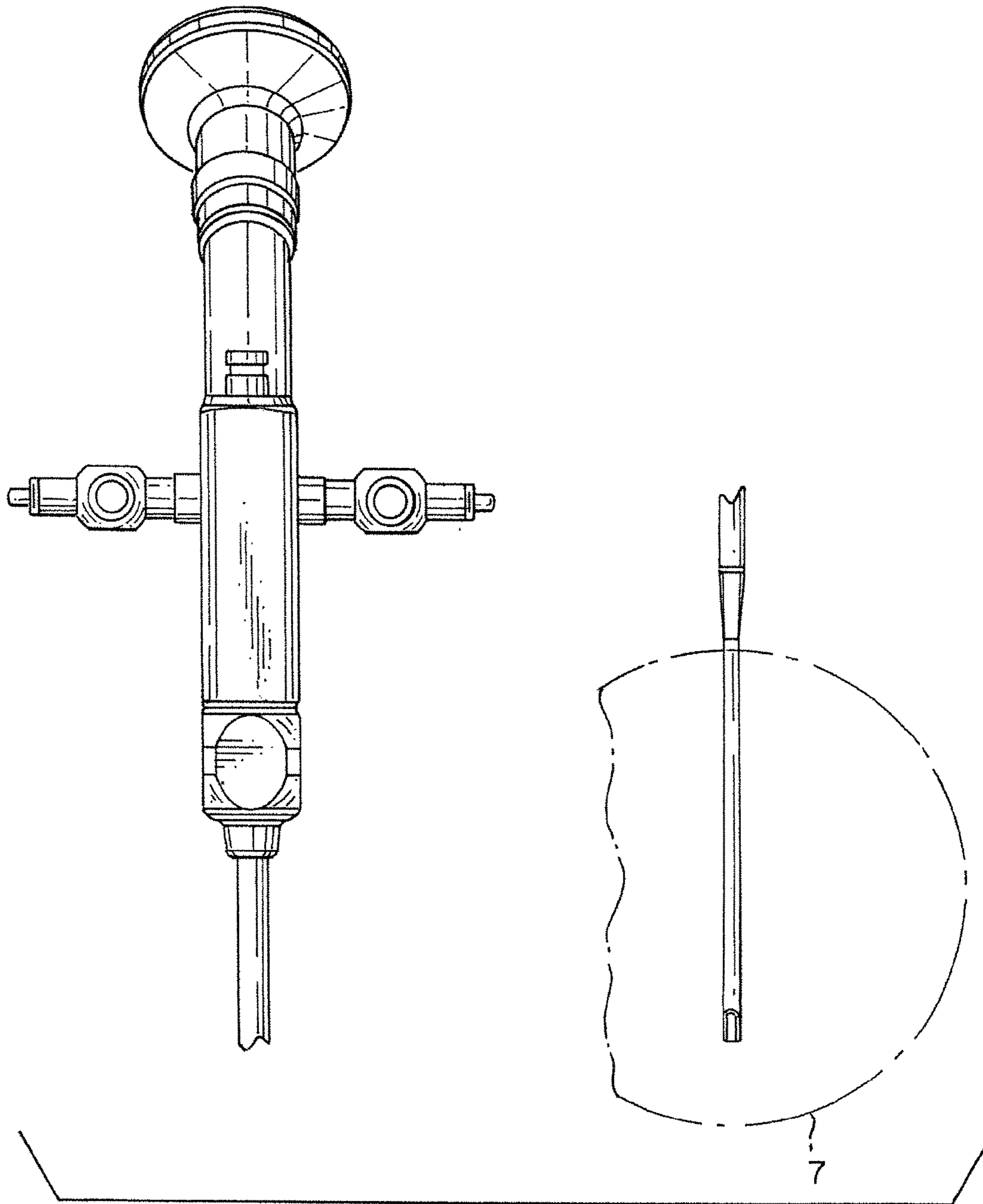


FIG. 4

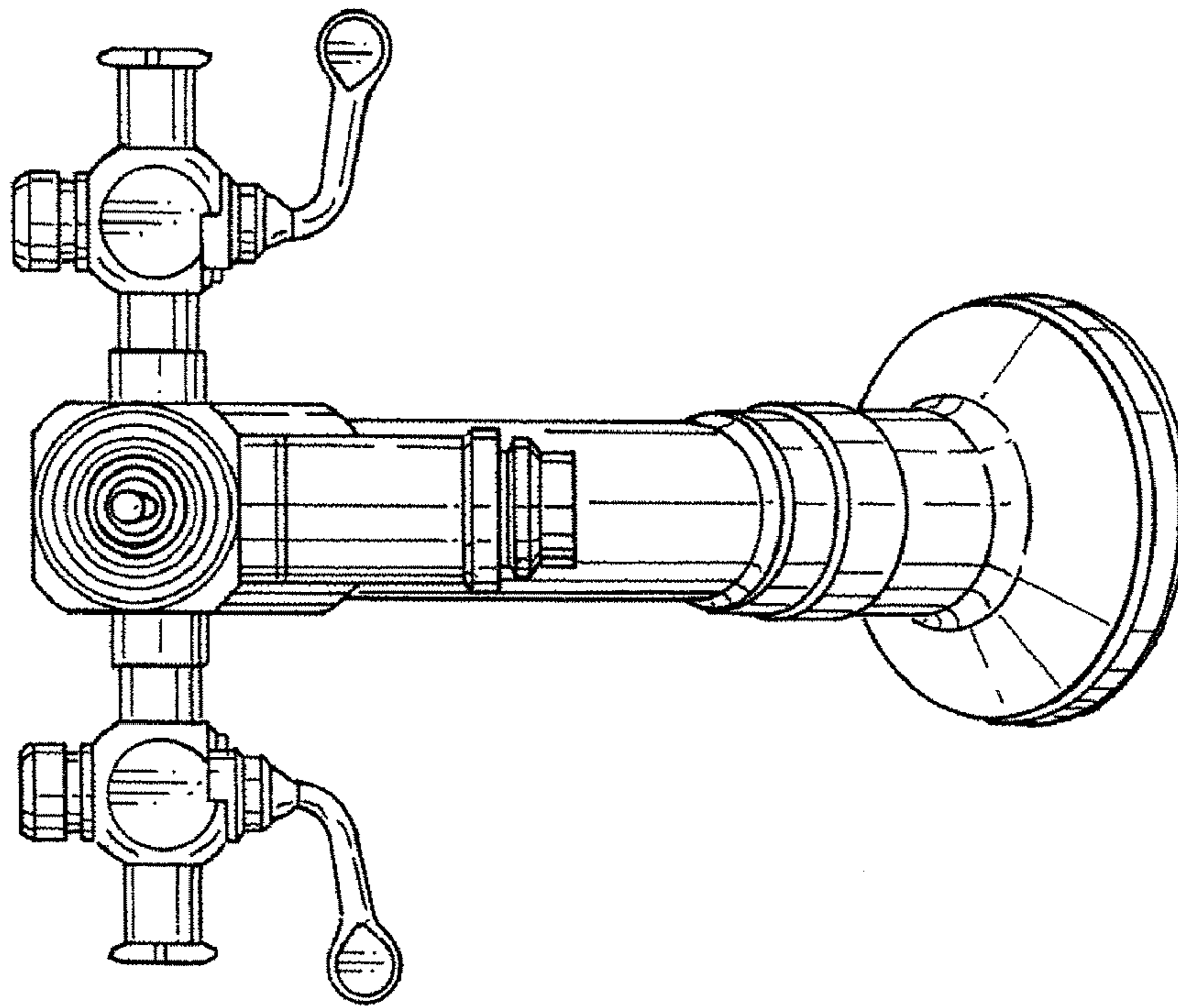


FIG. 5

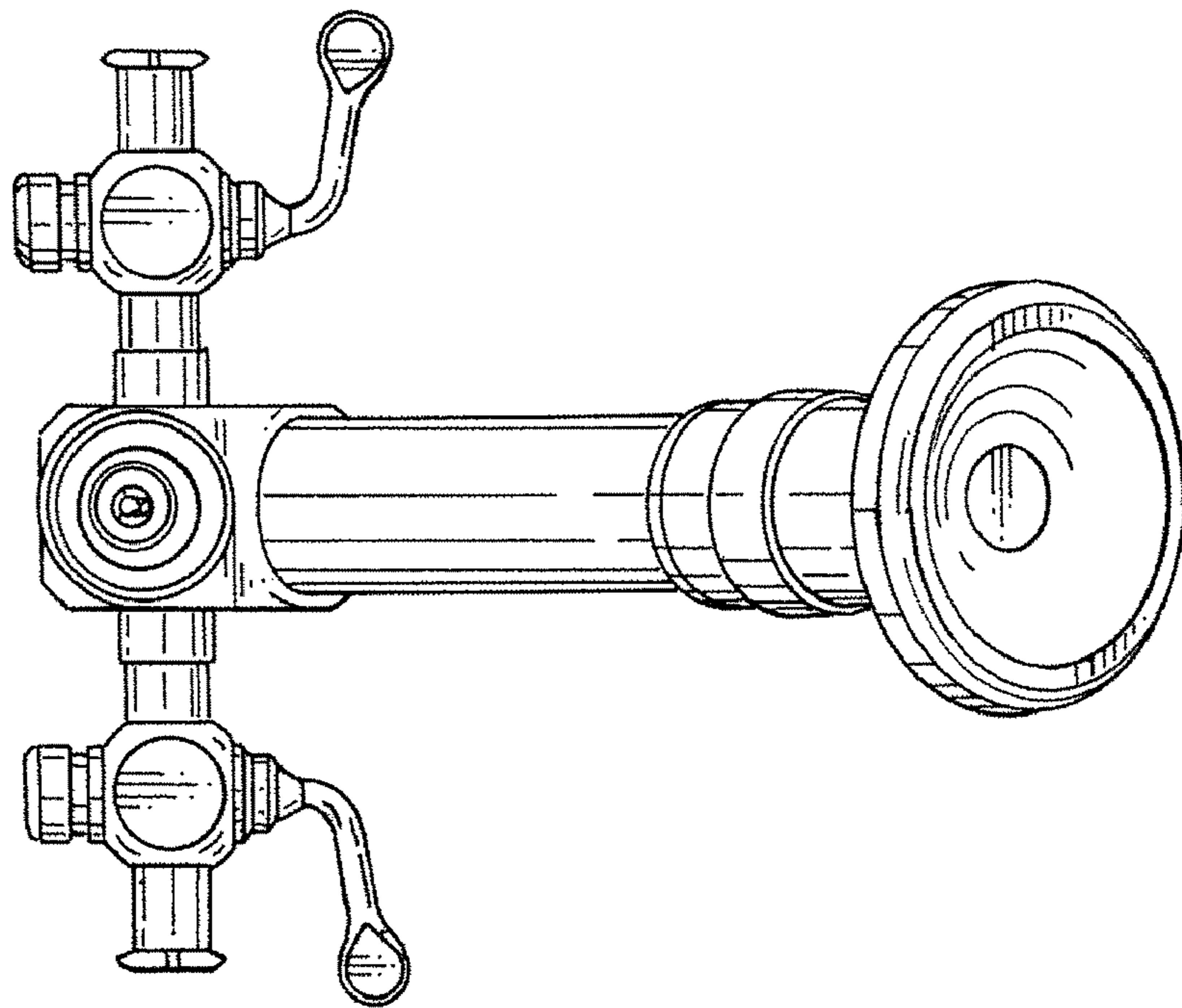


FIG. 6

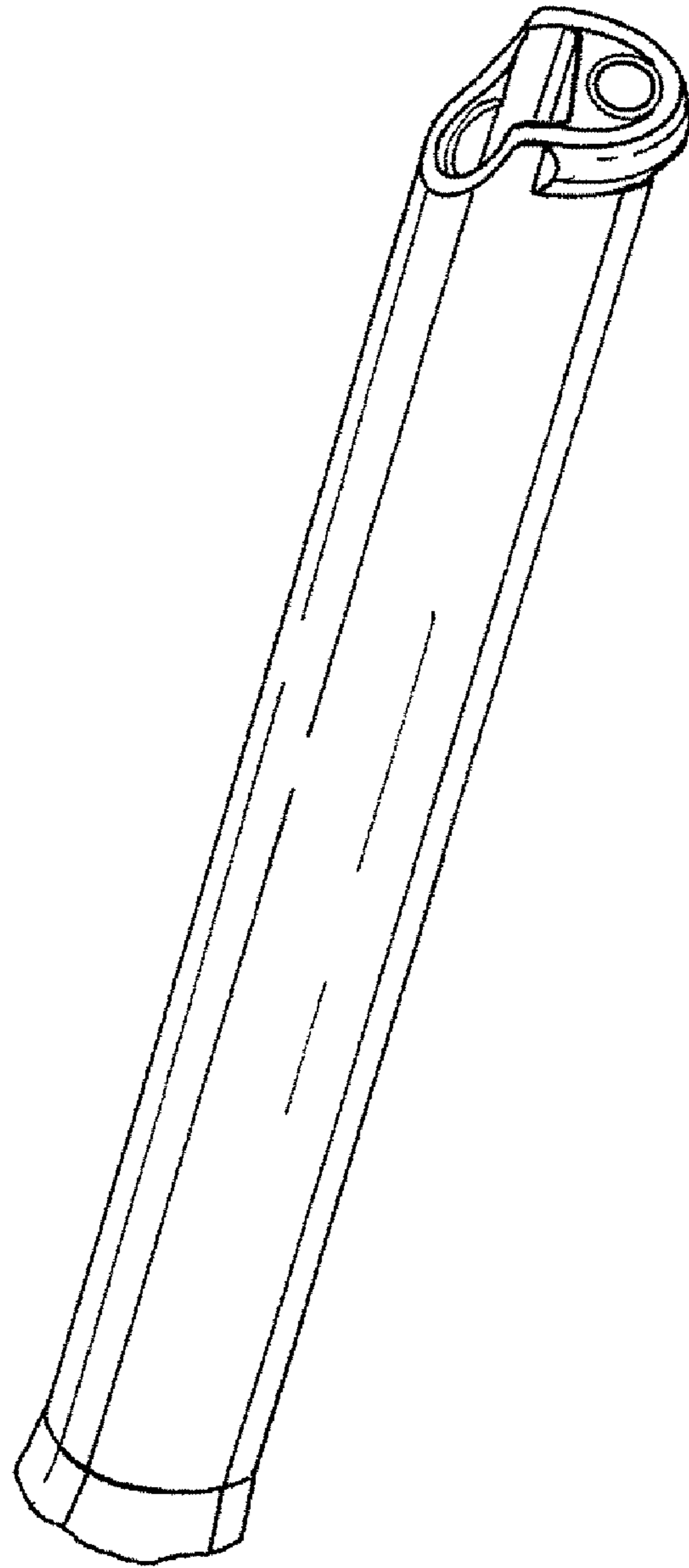


FIG. 7