

US00D548339S

(12) **United States Design Patent**
Stonier et al.

(10) **Patent No.:** **US D548,339 S**

(45) **Date of Patent:** **** Aug. 7, 2007**

(54) **SKIN TREATMENT DEVICE**

(75) Inventors: **Jason Carl Stonier**, Dorset (GB);
David Dawson, Lancaster (GB)

(73) Assignee: **Recuperatio Limited** (GB)

(**) Term: **14 Years**

(21) Appl. No.: **29/235,951**

(22) Filed: **Aug. 9, 2005**

(51) **LOC (8) Cl.** **24-02**

(52) **U.S. Cl.** **D24/133**

(58) **Field of Classification Search** D24/133,
D24/146, 147, 214, 215, 211; D28/20, 7;
601/70, 72, 80, 69

See application file for complete search history.

(56) **References Cited**

U.S. PATENT DOCUMENTS

6,679,857 B1 * 1/2004 Bastia et al. 601/72
D510,138 S * 9/2005 Kim D24/133
D510,158 S * 9/2005 Cheung D28/58

2005/0192519 A1* 9/2005 Crunick 601/72

* cited by examiner

Primary Examiner—Ian Simmons

Assistant Examiner—Christopher Lee

(74) *Attorney, Agent, or Firm*—Woodard, Emhardt,
Moriarty, McNett & Henry LLP

(57) **CLAIM**

The ornamental design for a skin treatment device, as shown and described.

DESCRIPTION

FIG. 1 is a front perspective view of a skin treatment device showing our new design.

FIG. 2 is a top plan view of FIG. 1.

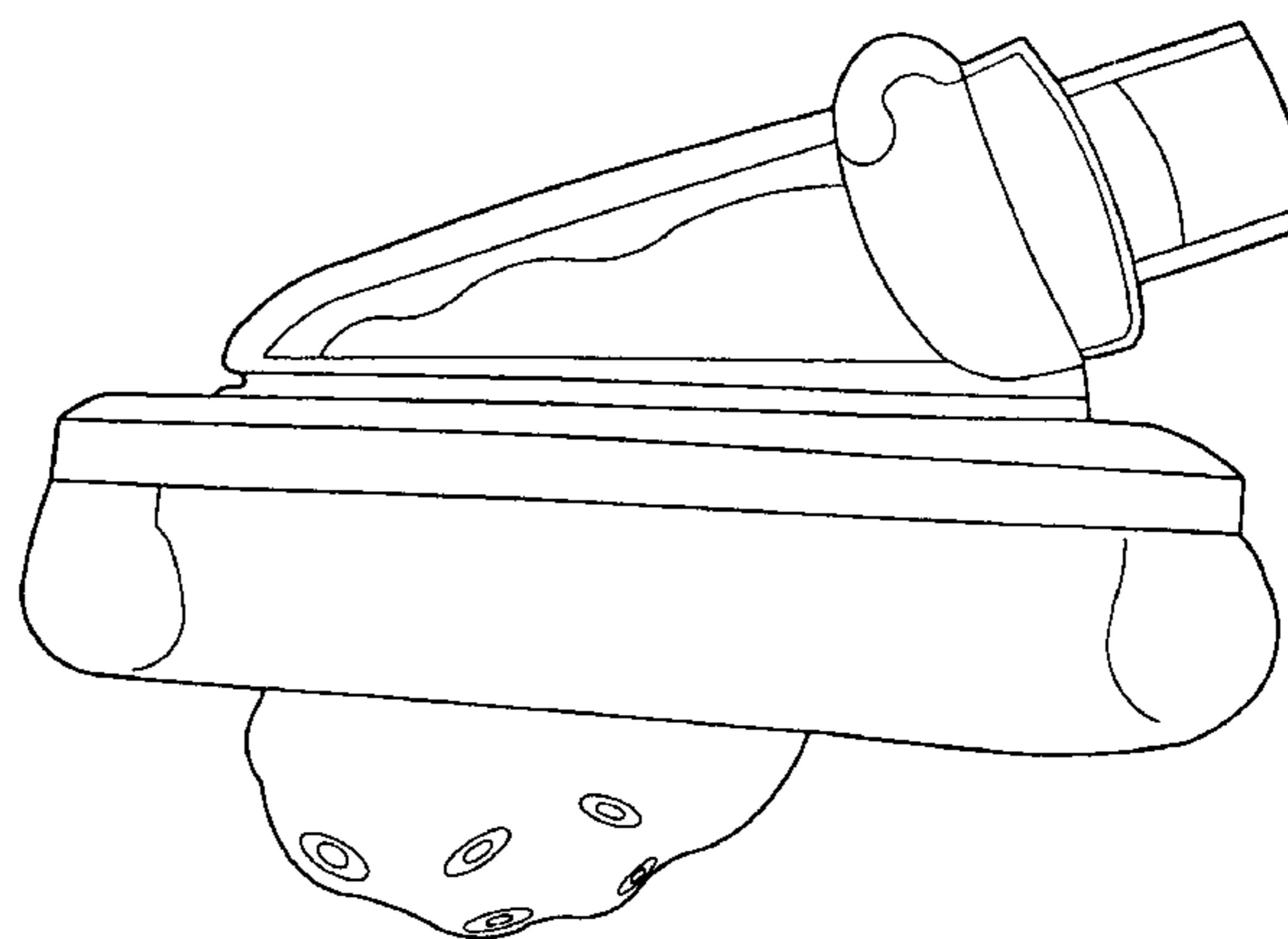
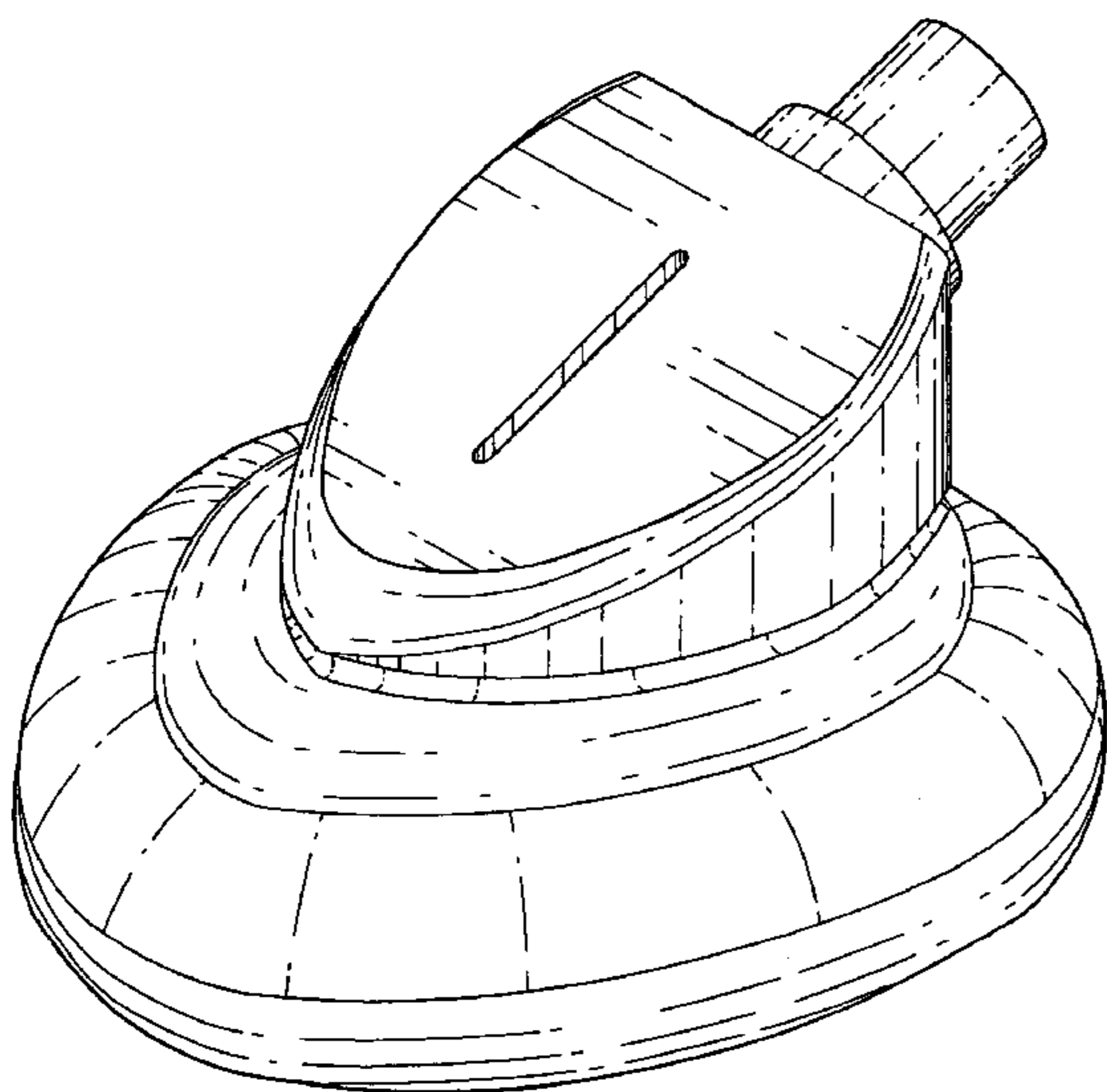
FIG. 3 is a right side view of FIG. 1.

FIG. 4 is a left side view of FIG. 1.

FIG. 5 is a back view of FIG. 1; and,

FIG. 6 is a bottom view of FIG. 1.

1 Claim, 4 Drawing Sheets



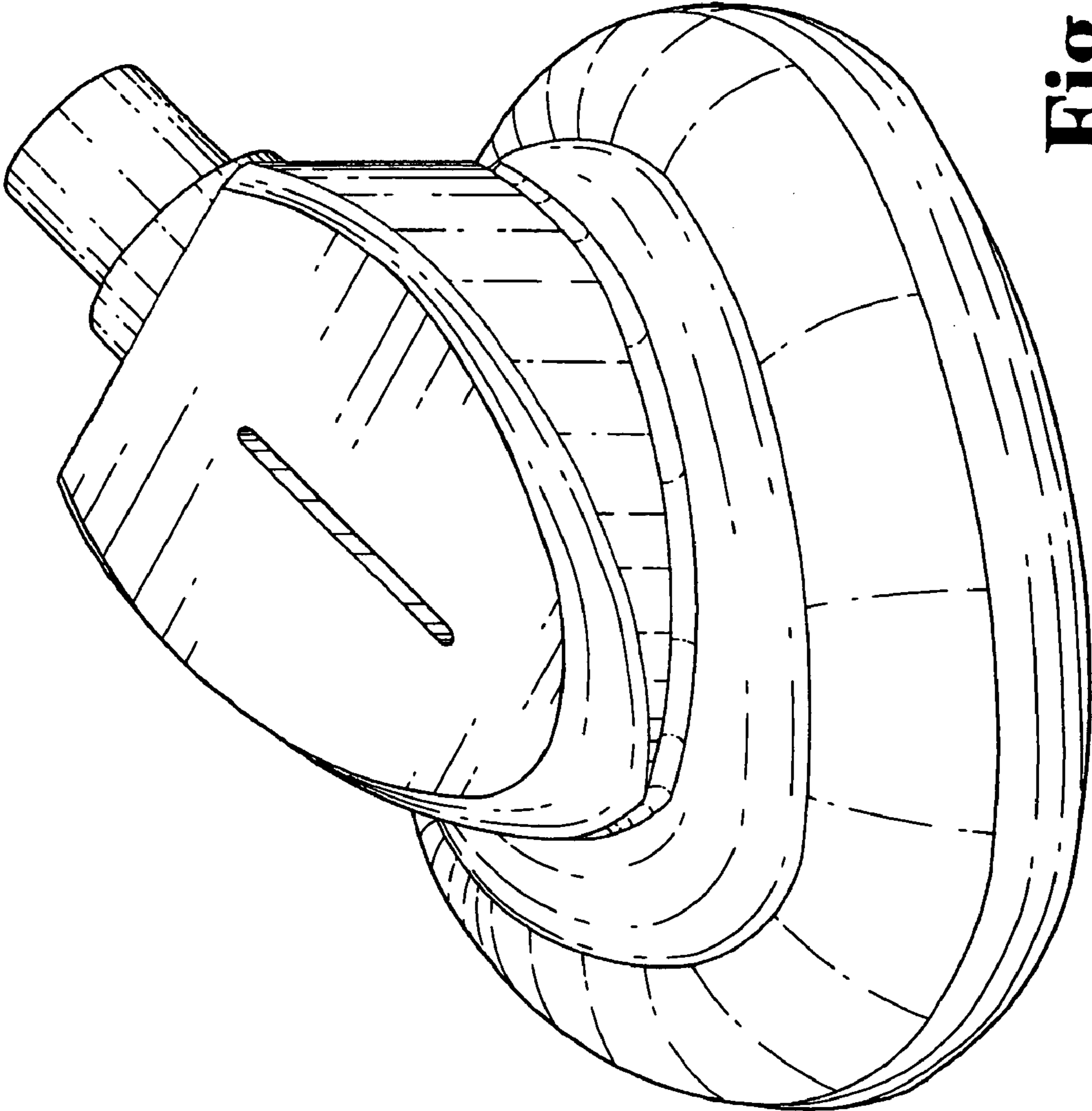


Fig. 1

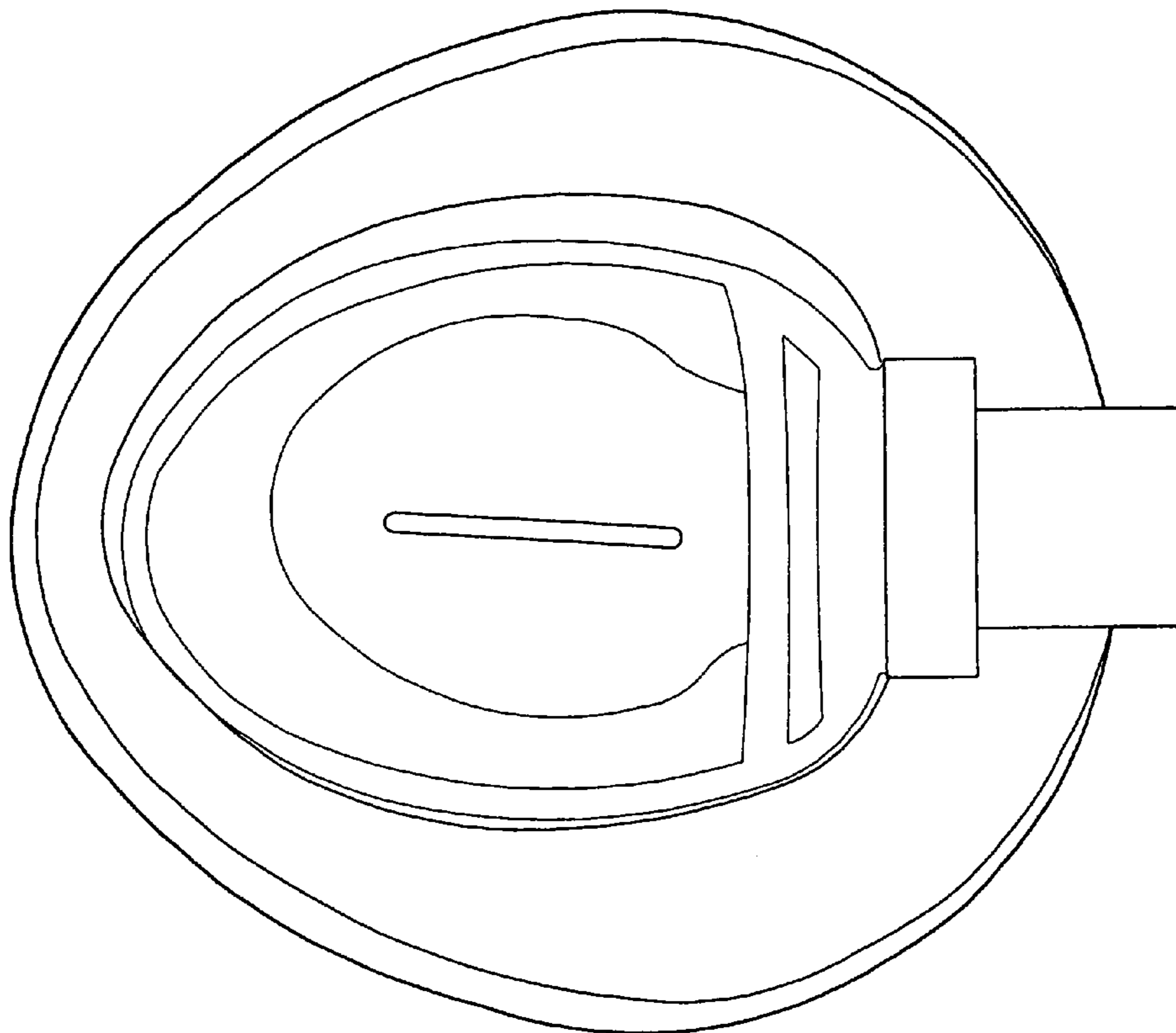


Fig. 2

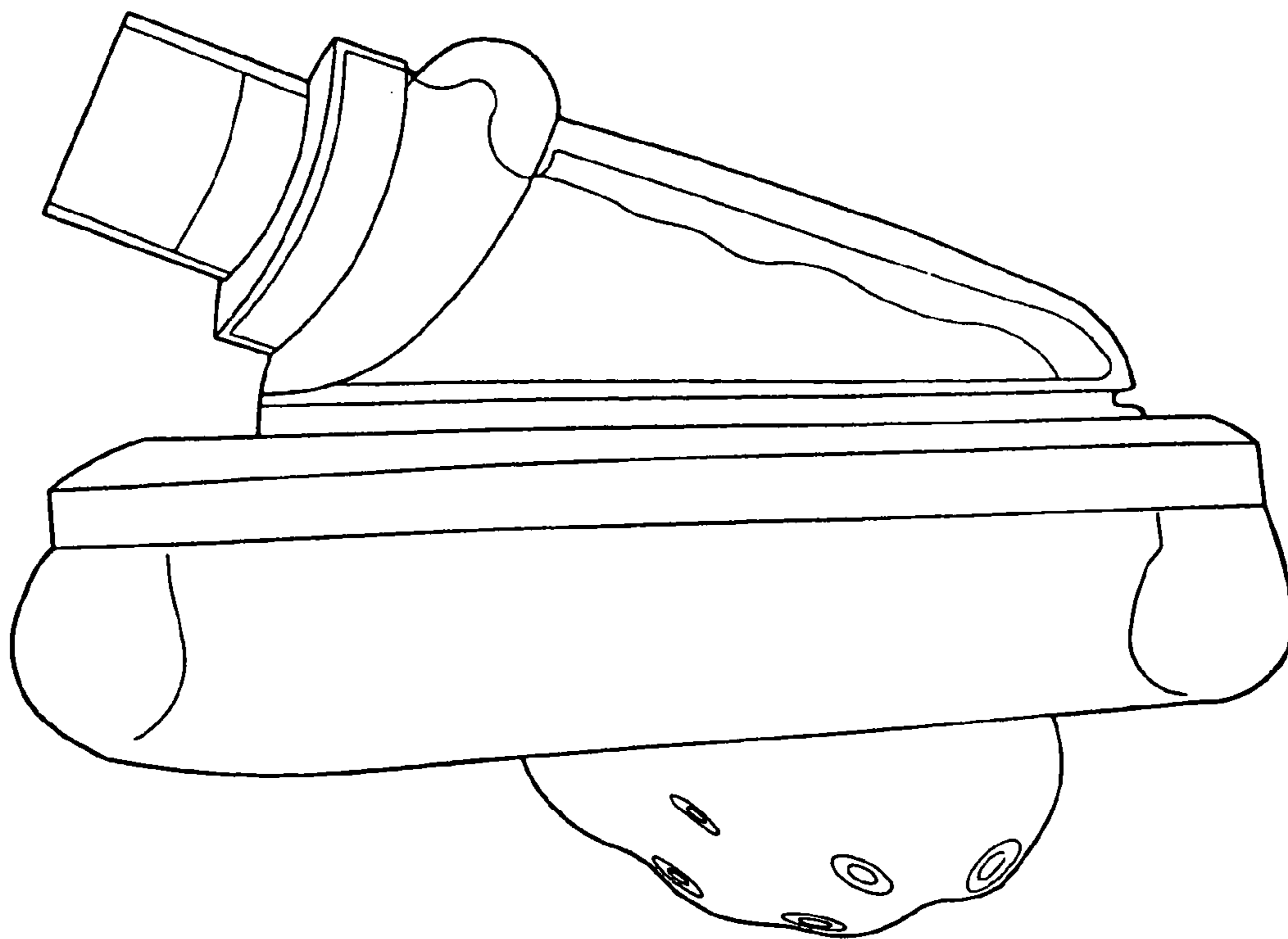


Fig. 4

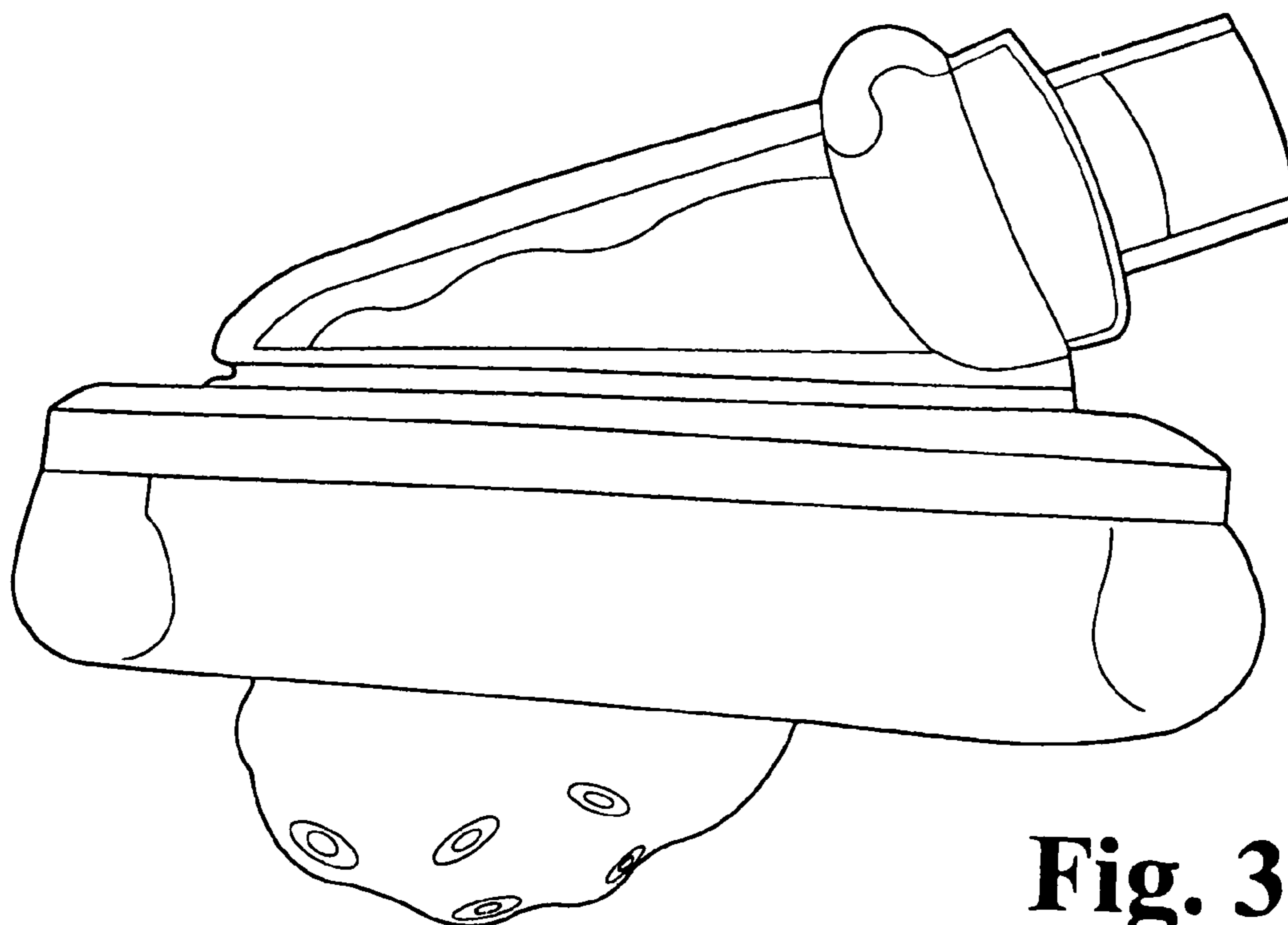


Fig. 3

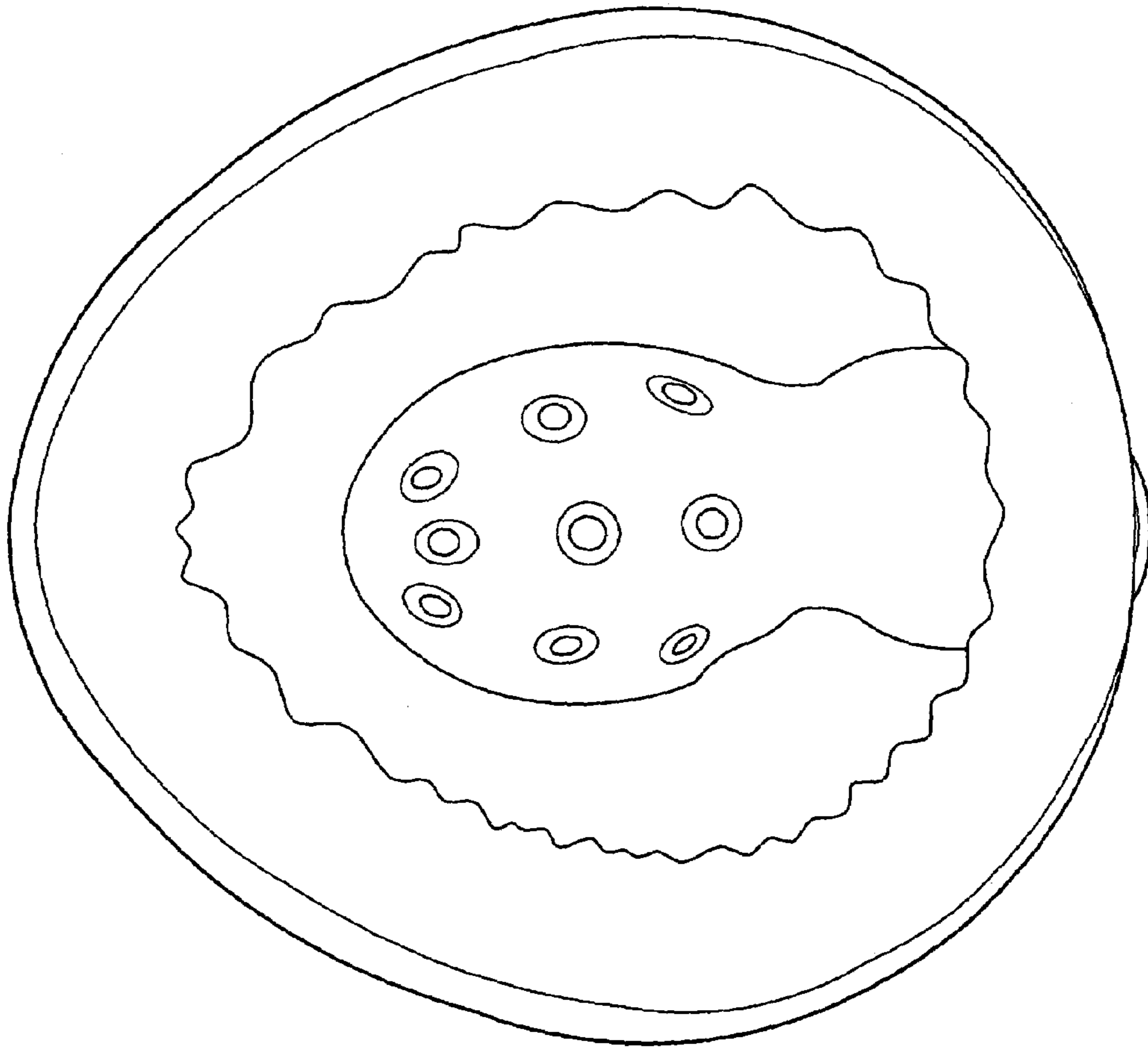


Fig. 6

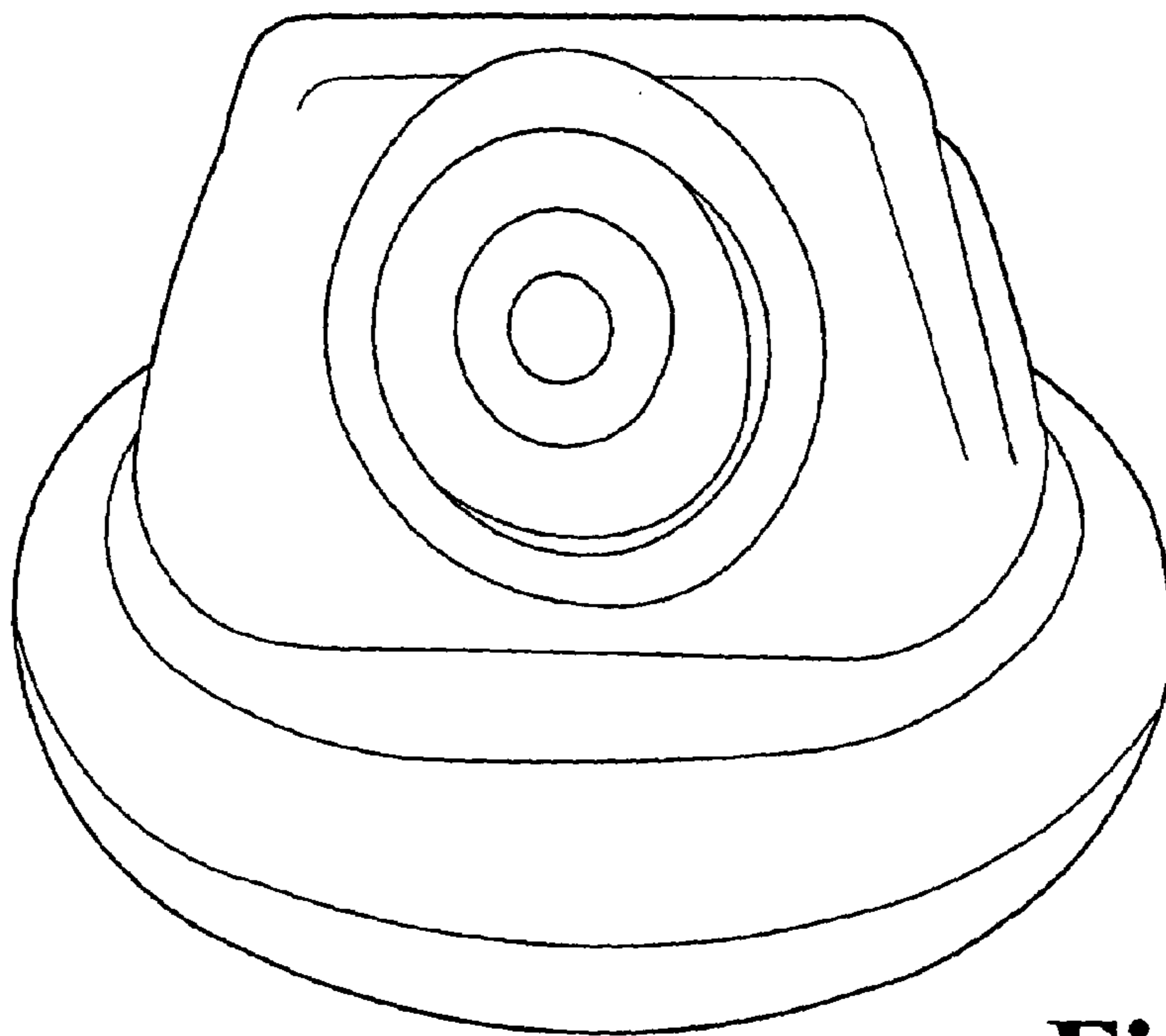


Fig. 5